



US00D684748S

(12) **United States Design Patent**
Carney et al.

(10) **Patent No.:** **US D684,748 S**
(45) **Date of Patent:** **** Jun. 25, 2013**

(54) **ELASTIC PANT**

(75) Inventors: **Joshua Carney**, Göteborg (SE); **Kresten Karlsen**, Silkeborg (DK)

(73) Assignee: **SCA Hygiene Products AB**, Gothenburg (SE)

(**) Term: **14 Years**

(21) Appl. No.: **29/432,247**

(22) Filed: **Sep. 14, 2012**

(30) **Foreign Application Priority Data**

Mar. 30, 2012 (EM) 002017632

(51) **LOC (9) Cl.** **02-01**

(52) **U.S. Cl.**
USPC **D2/712**

(58) **Field of Classification Search**
USPC D2/700, 701, 702, 703, 704, 705,
D2/711, 712, 713, 732, 737, 738, 742, 860;
D24/124, 125, 126; 2/46, 67, 69, 71, 72,
2/73, 78.1, 78.2, 78.3, 78.4, 400, 401, 402,
2/403, 404, 405, 406, 407, 408; 66/177; 450/94,
450/99, 100, 101, 102, 103, 104, 114, 115,
450/116; 604/358, 359, 366, 385.01, 387,
604/396

See application file for complete search history.

(56) **References Cited**

U.S. PATENT DOCUMENTS

2,062,161 A * 11/1936 Chatfield 2/405
D135,440 S * 4/1943 Scriggins D2/704
2,323,842 A * 7/1943 Rakauskas 602/67
2,772,419 A * 12/1956 Silverstein 2/406
D209,732 S * 1/1968 Brown D2/704
3,368,563 A * 2/1968 Scheier 604/396
3,613,119 A 10/1971 Sarmiento

D258,770 S 4/1981 Stern
4,568,341 A * 2/1986 Mitchell et al. 604/368
D338,543 S 8/1993 van Laar
D341,199 S 11/1993 Huguley
D346,891 S * 5/1994 Yee D2/712
D358,472 S * 5/1995 Firouzpour D2/716
5,465,594 A * 11/1995 Imboden et al. 66/177
5,902,170 A * 5/1999 Ganz 450/94
D410,959 S 6/1999 van Laar

(Continued)

FOREIGN PATENT DOCUMENTS

EM 000267612-0011 * 2/2005
EM 000267612-0033 * 2/2005

OTHER PUBLICATIONS

Night Fit, <http://www.sofy.jp/shorts/night/index.html>, Nov. 16, 2011, (1 page).

(Continued)

Primary Examiner — Karen E Eldridge Powers
(74) *Attorney, Agent, or Firm* — Buchanan Ingersoll & Rooney PC

(57) **CLAIM**

The ornamental design for an elastic pant, as shown and described.

DESCRIPTION

FIG. 1 is a front elevation view of an elastic pant showing our new design.

FIG. 2 is a top plan view thereof.

FIG. 3 is a rear elevation view thereof.

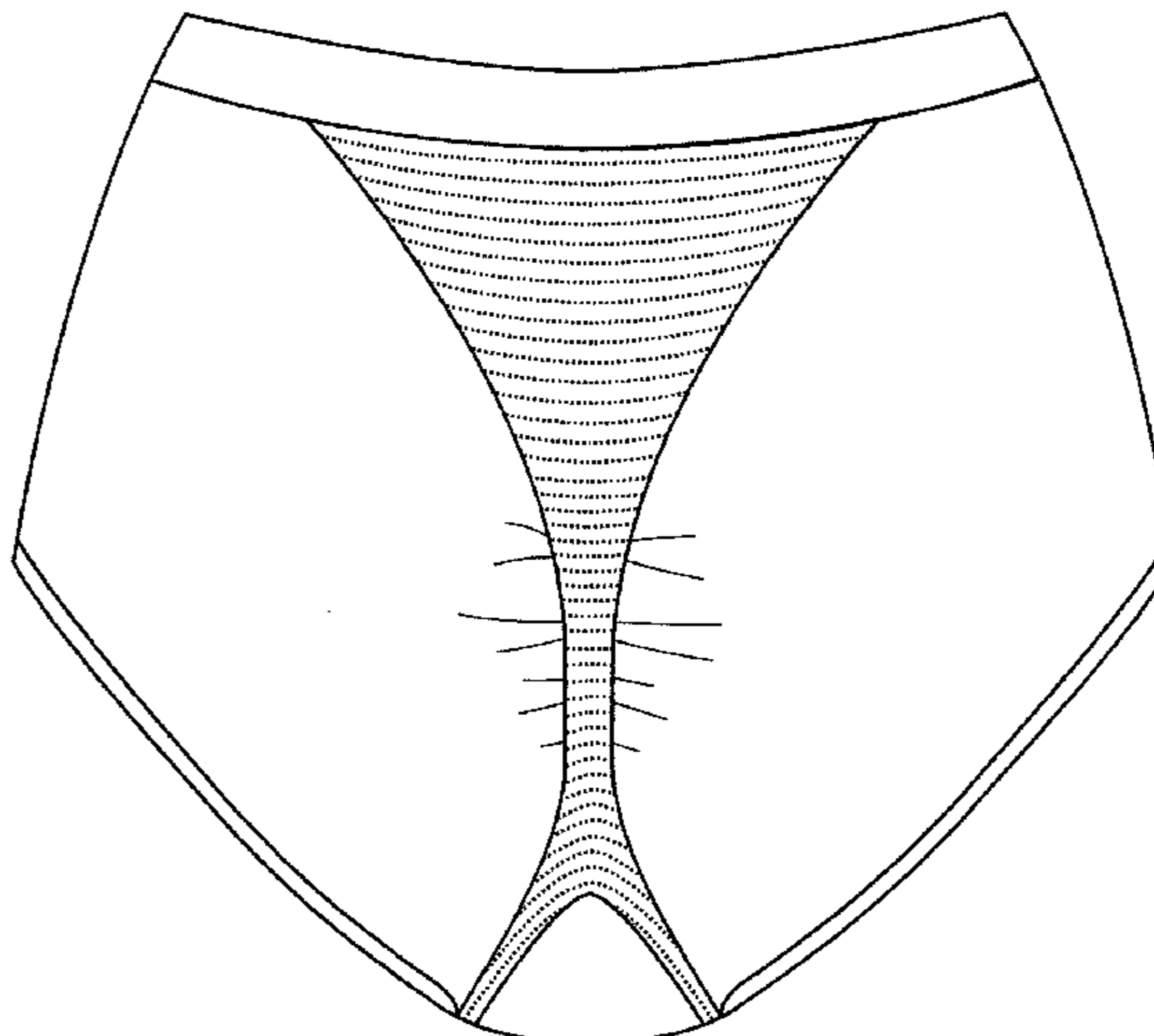
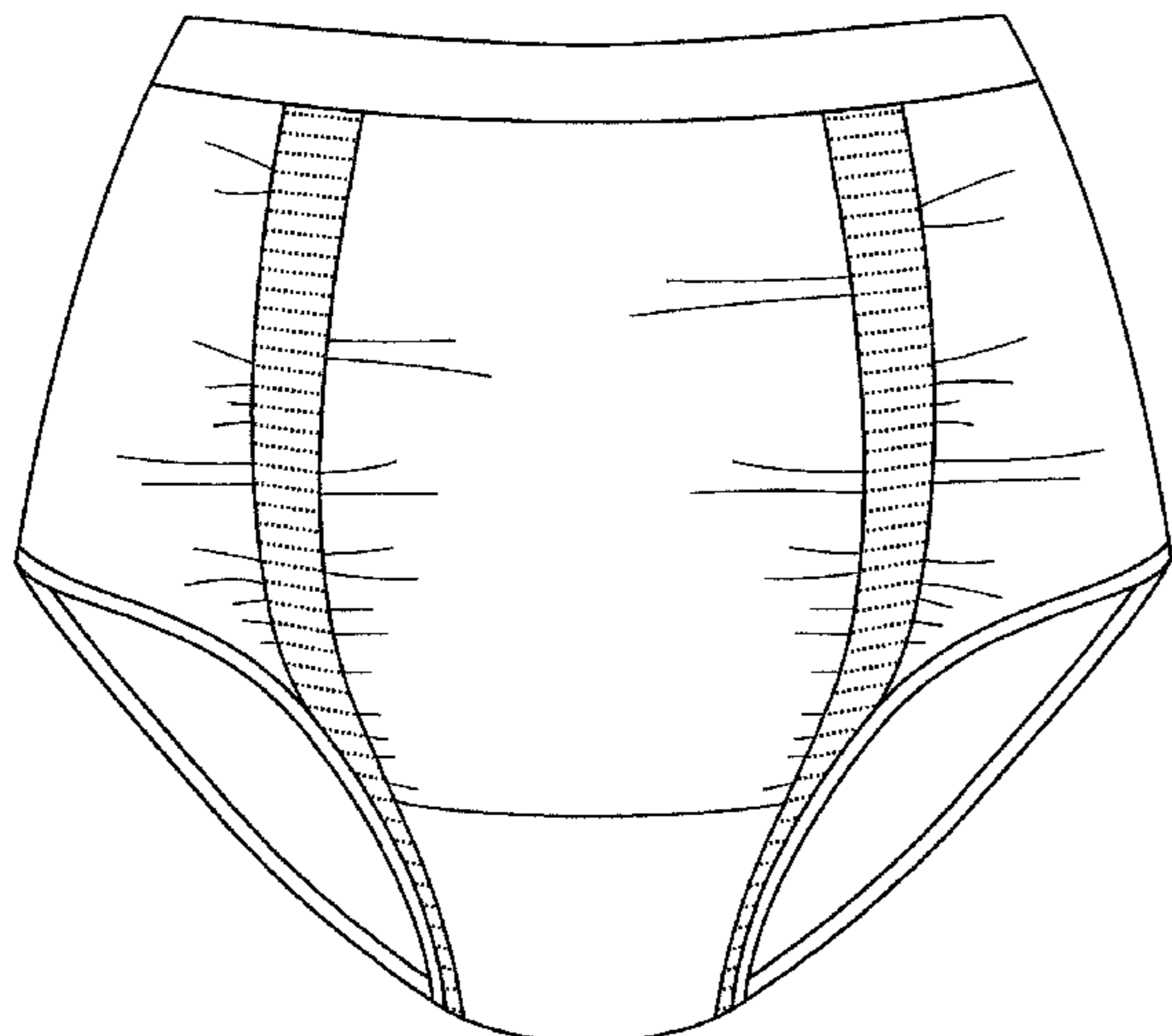
FIG. 4 is a left side elevation view thereof.

FIG. 5 is a bottom plan view thereof; and,

FIG. 6 is a right side elevation view thereof.

The dotted-line pattern shown in the drawings is a claimed feature.

1 Claim, 6 Drawing Sheets



US D684,748 S

Page 2

U.S. PATENT DOCUMENTS

7,546,751 B2 * 6/2009 Lutz 66/177
7,670,205 B2 * 3/2010 Oyama et al. 450/97
7,677,953 B2 3/2010 Oyama et al.
7,757,307 B2 * 7/2010 Wong 2/228
8,092,273 B2 * 1/2012 Shinomiya 450/97
D657,937 S * 4/2012 Jones et al. D2/712
2004/0230175 A1 * 11/2004 Rainville-Lonn et al. 604/396

2011/0264066 A1 10/2011 Artley

OTHER PUBLICATIONS

Joshua Carney et al., U.S. Appl. No. 29/432,237, filed Sep. 14, 2012.

* cited by examiner

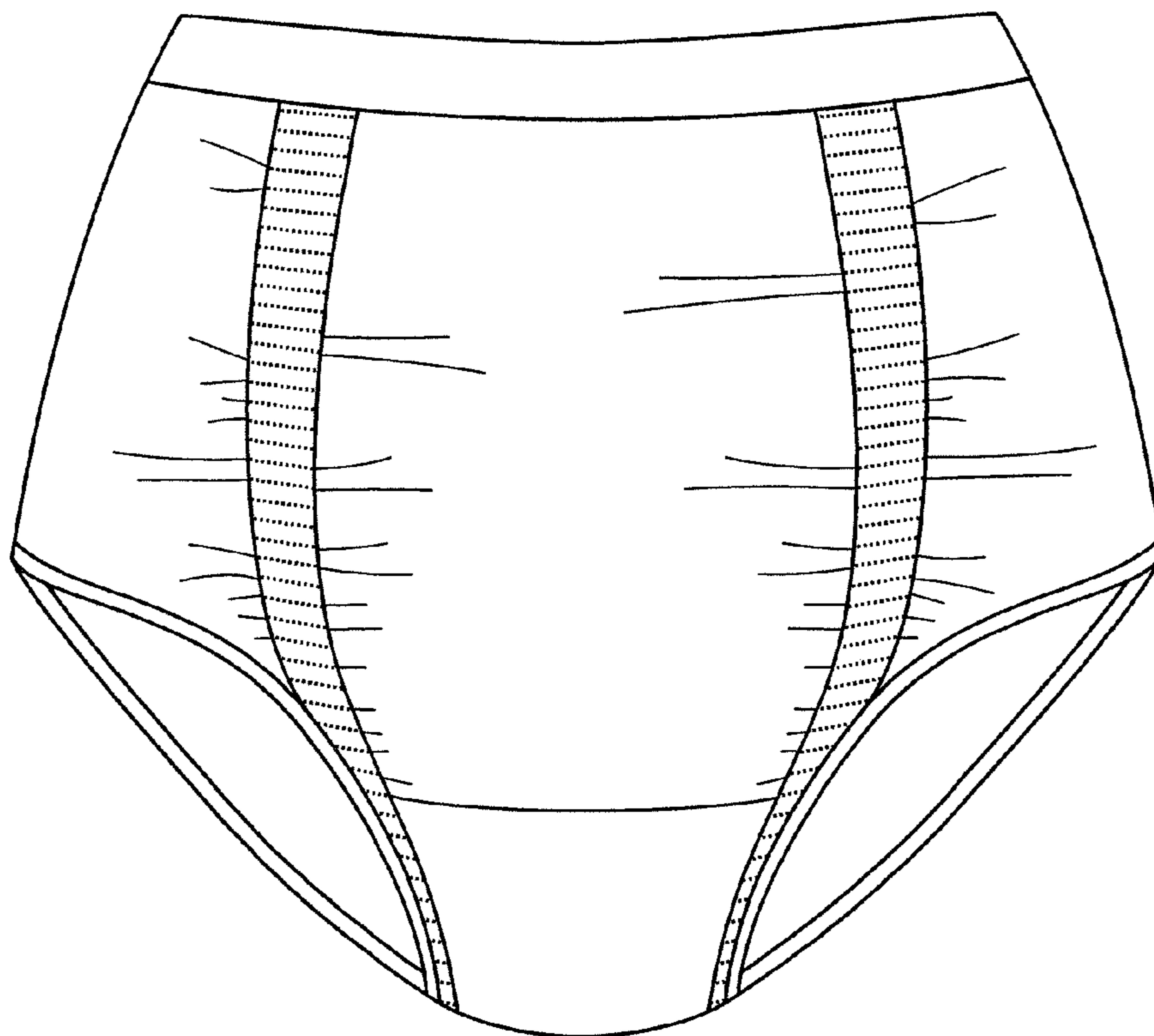


FIG. 1

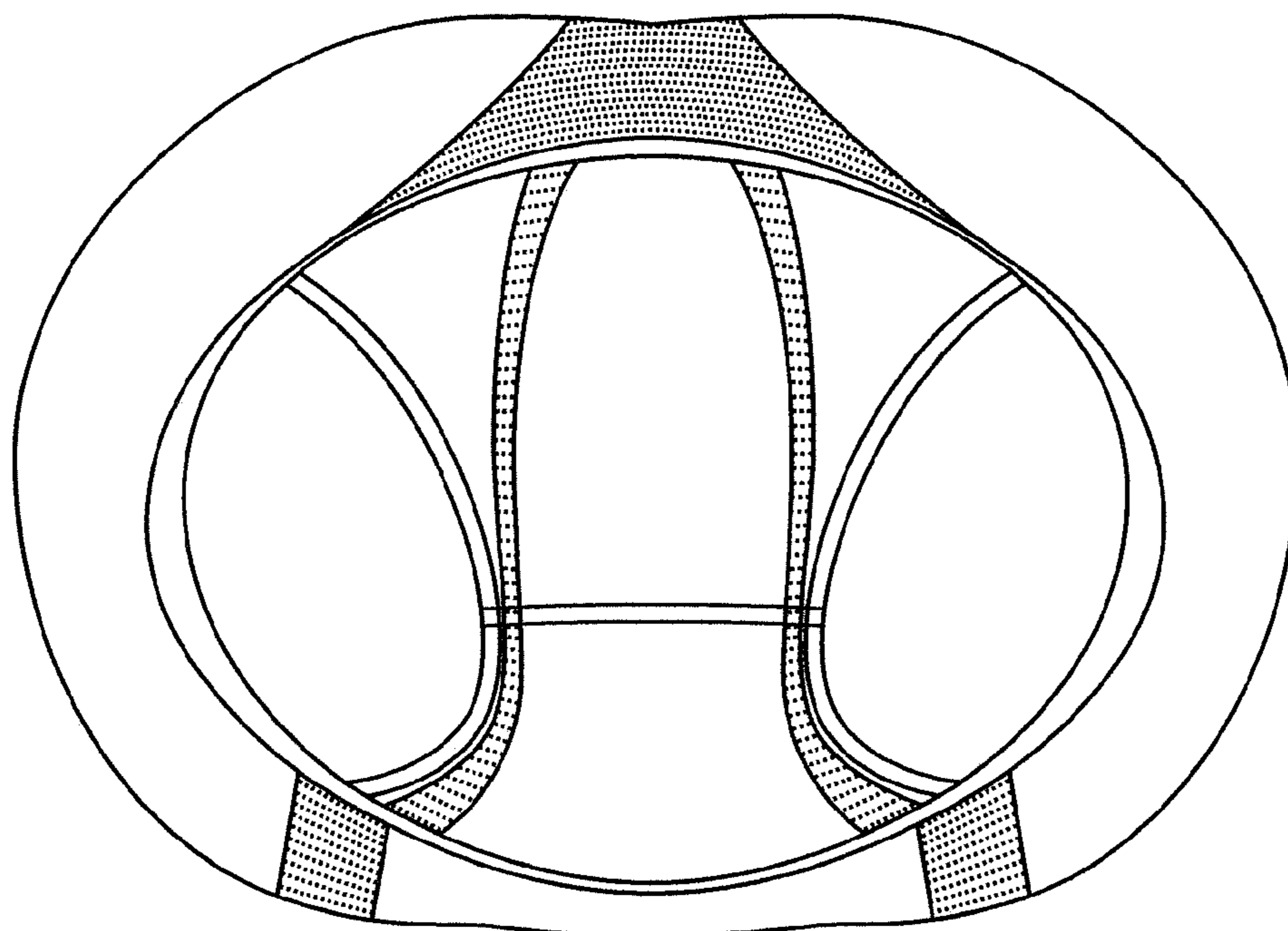


FIG. 2

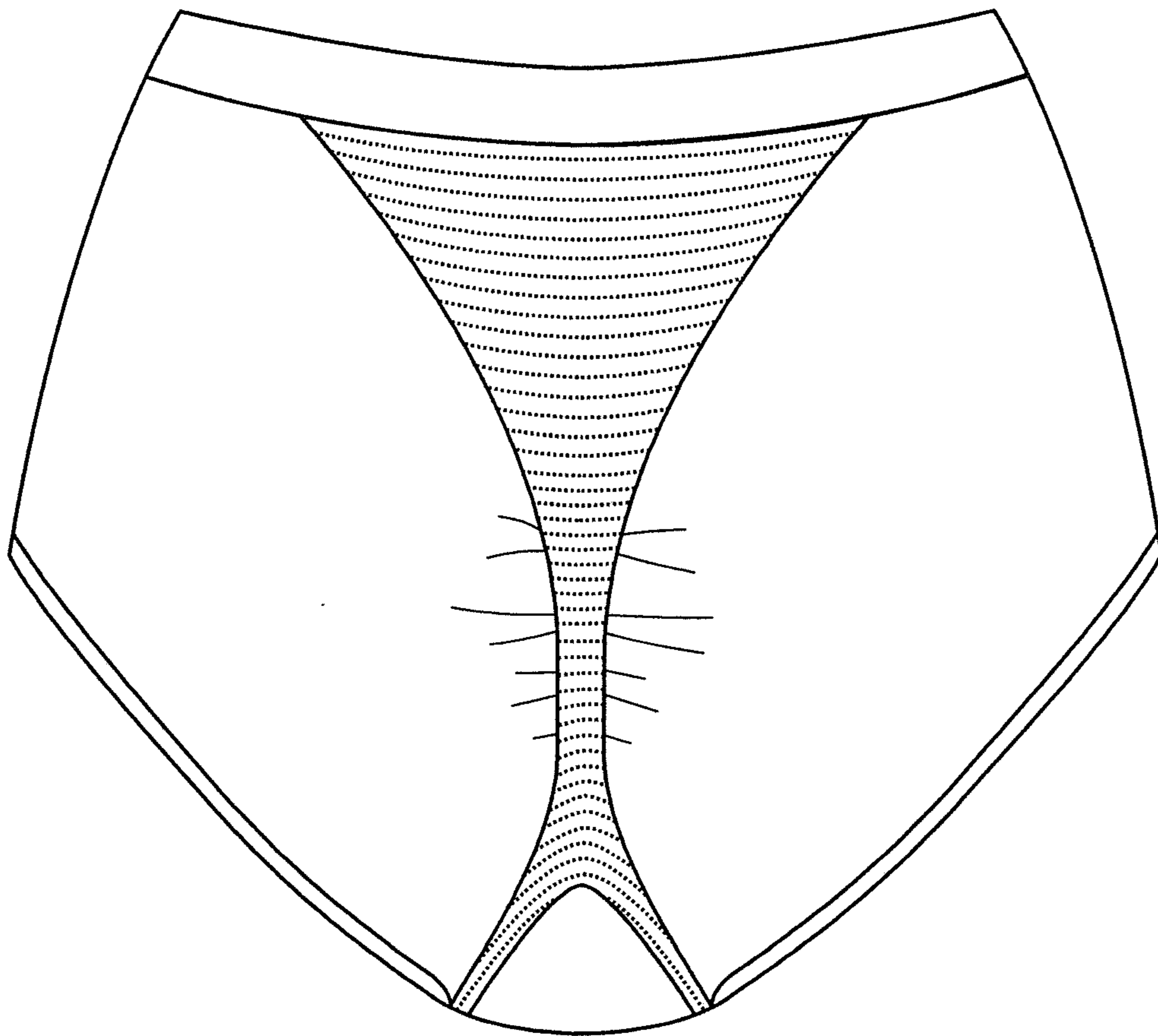


FIG. 3

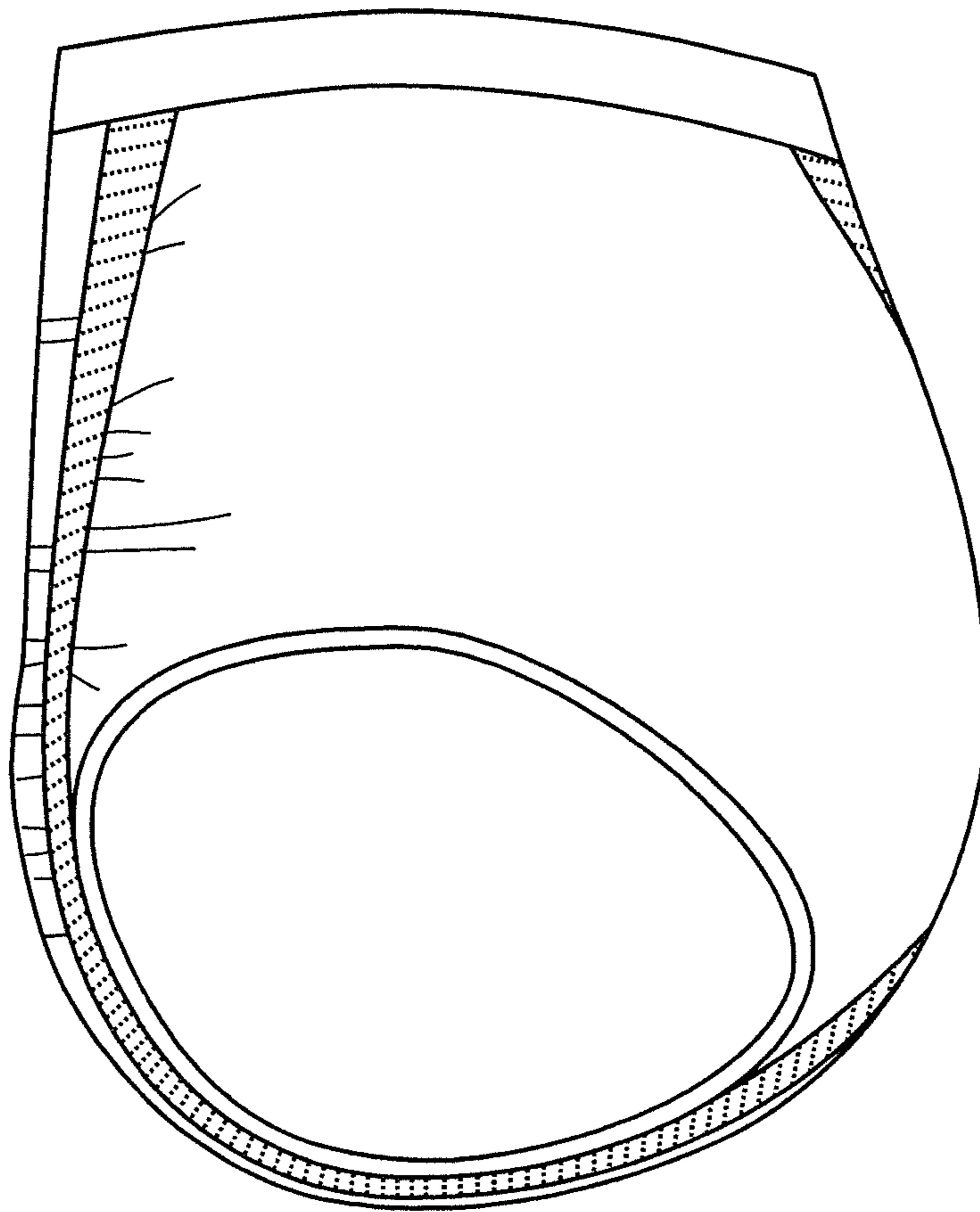


FIG. 4

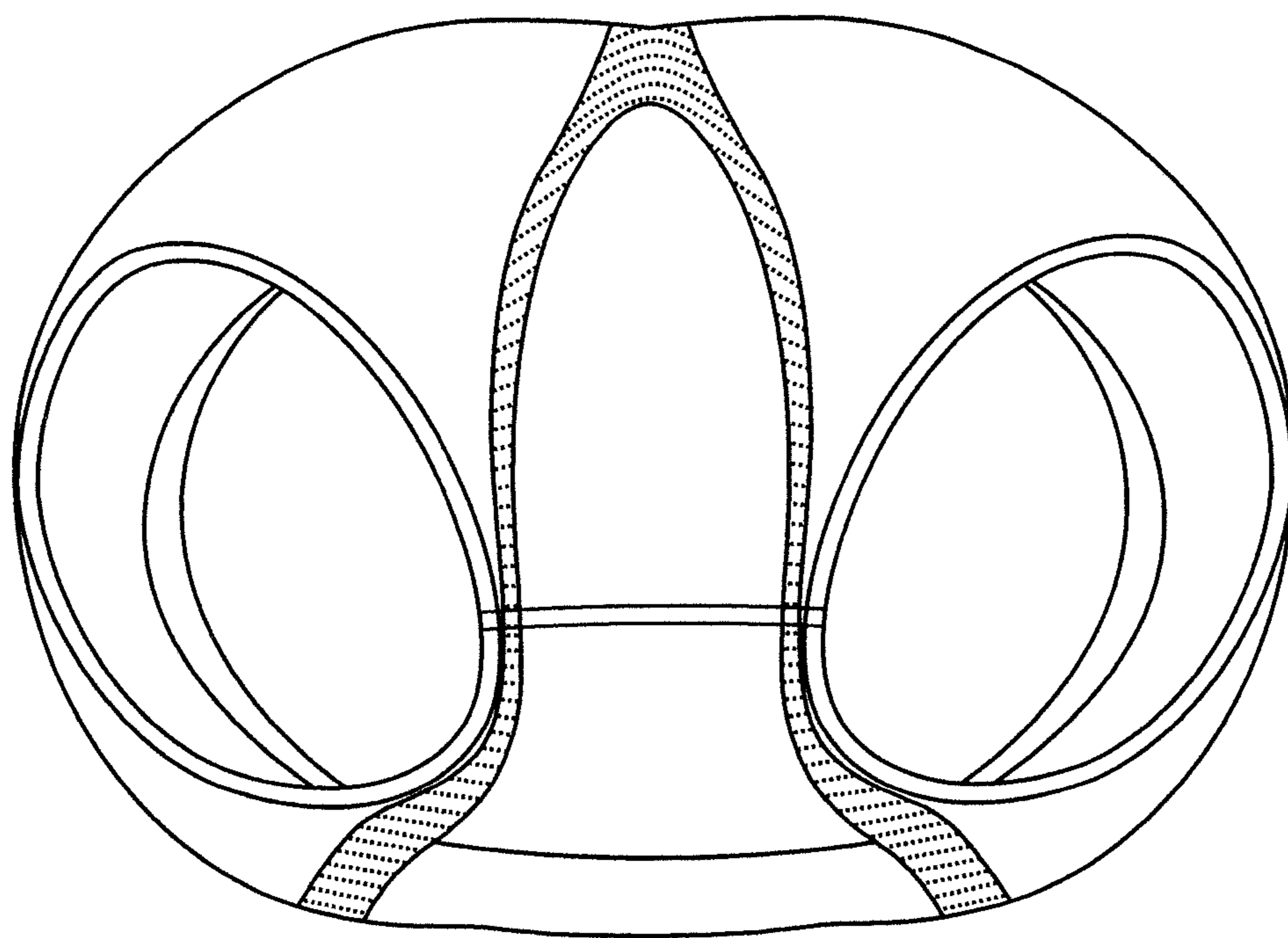


FIG. 5

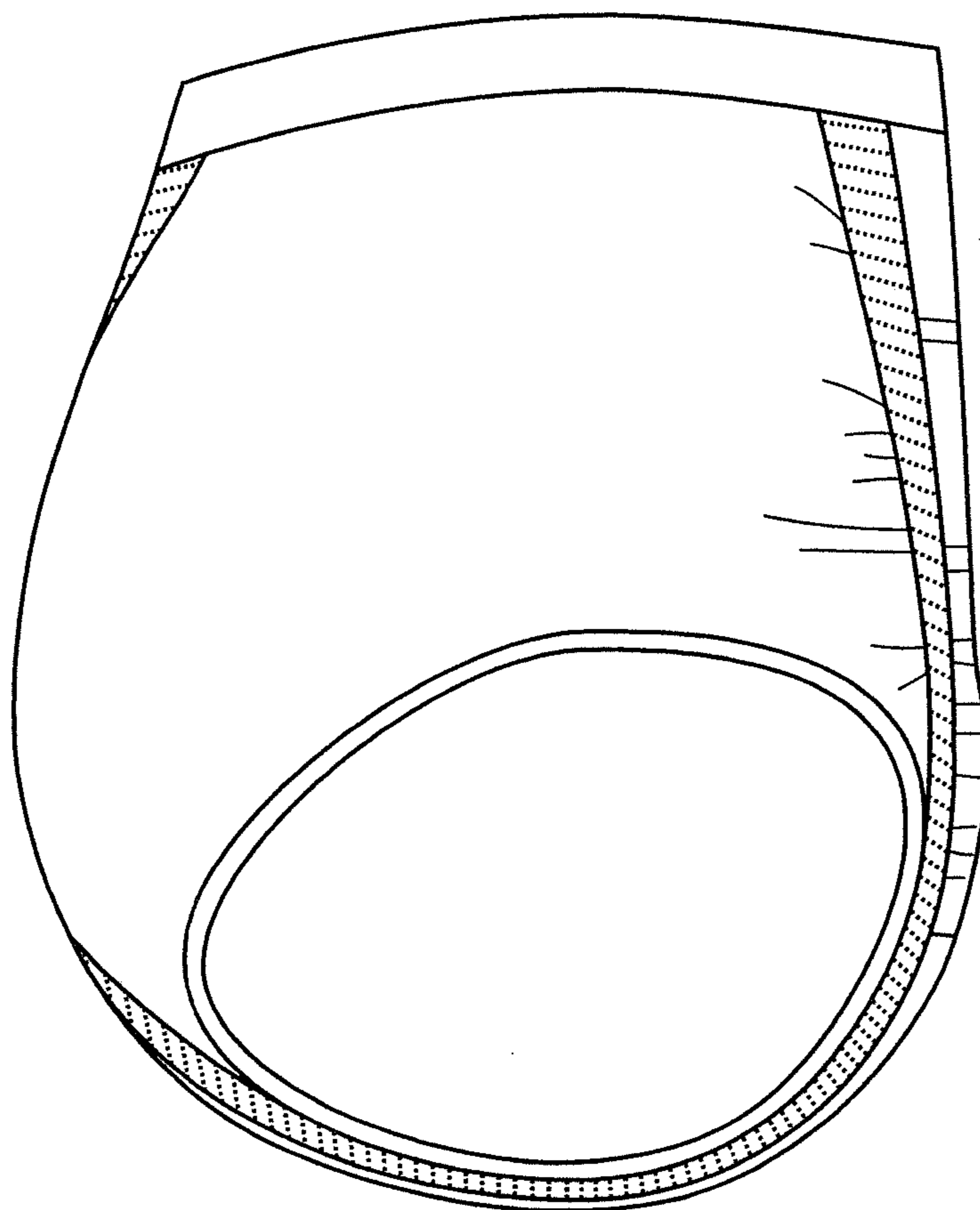


FIG. 6