



US00D684742S

(12) **United States Design Patent**
Wolford et al.

(10) **Patent No.:** **US D684,742 S**
(45) **Date of Patent:** **** Jun. 18, 2013**

(54) **LID FOR A RECEPTACLE**

(76) Inventors: **Stephen Wolford**, Phoenix, MD (US);
A. P. Ramsey Crosby, Sr., Towson, MD
(US); **Paulette H. Crosby**, Towson, MD
(US)

(**) Term: **14 Years**

(21) Appl. No.: **29/411,664**

(22) Filed: **Jan. 25, 2012**

(51) **LOC (9) Cl.** **09-09**

(52) **U.S. Cl.**
USPC **D34/4**

(58) **Field of Classification Search**
USPC D34/1, 7, 4, 10, 11; D7/604, 606,
D7/625; D9/441, 451, 435; D11/133, 172,
D11/184, 157; 220/908
See application file for complete search history.

(56) **References Cited**

U.S. PATENT DOCUMENTS

D507,181 S *	7/2005	Malik	D9/451
D532,172 S *	11/2006	Gianfrisco	D34/4
D547,516 S *	7/2007	Wolford et al.	D34/4
D586,063 S *	2/2009	Wolford et al.	D34/4
D595,467 S *	6/2009	Wolford et al.	D34/4

D596,363 S *	7/2009	Wolford et al.	D34/4
D616,169 S *	5/2010	Wolford et al.	D34/4
D624,268 S *	9/2010	Wolford et al.	D34/4
D624,722 S *	9/2010	Wilkerson et al.	D34/4

* cited by examiner

Primary Examiner — Cynthia Ramirez

(74) *Attorney, Agent, or Firm* — Whiteford, Taylor & Preston LLP

(57) **CLAIM**

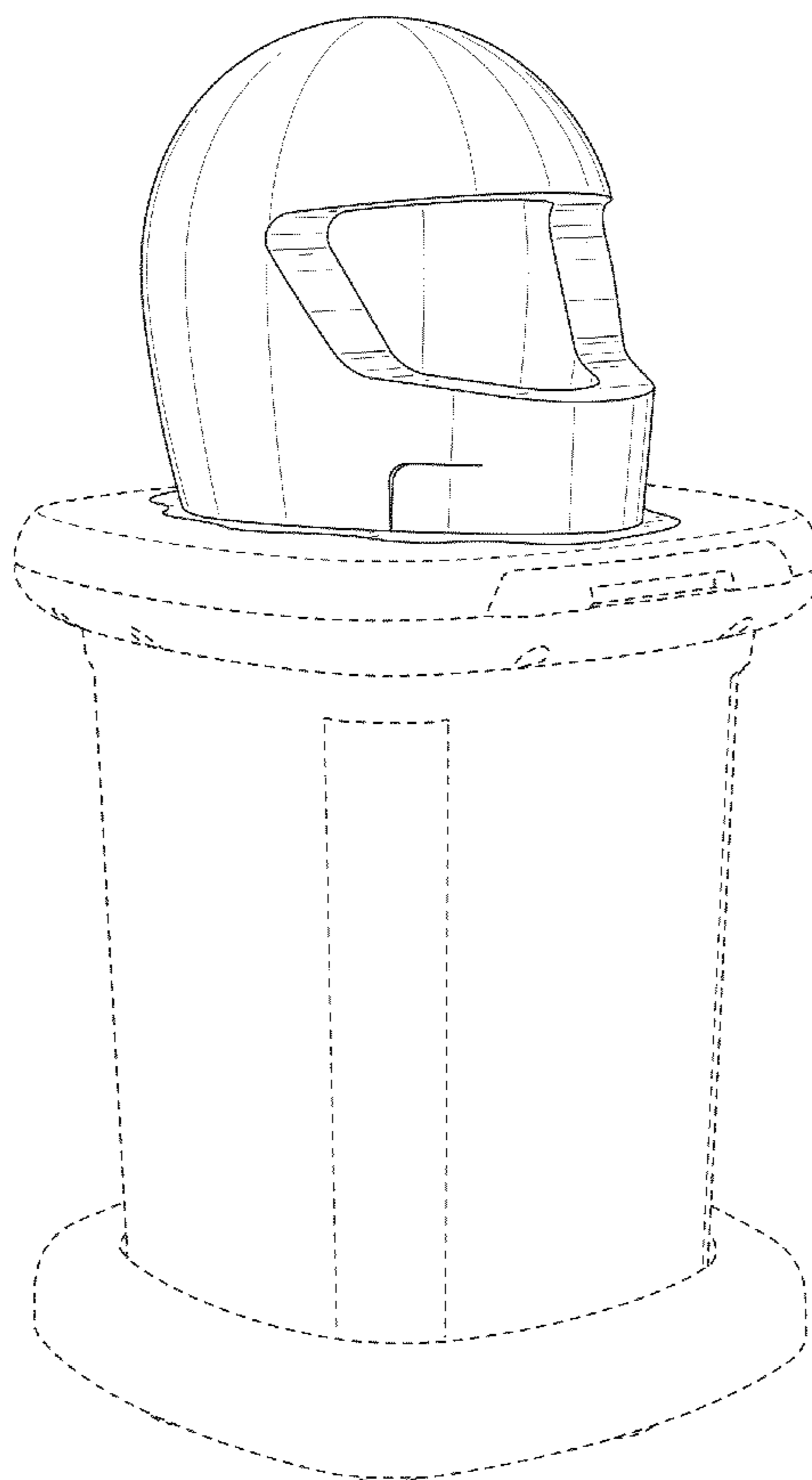
The ornamental design for a lid for a receptacle, as shown and described.

DESCRIPTION

FIG. 1 is a perspective view of a lid for a receptacle showing our new design;
FIG. 2 is a front view thereof;
FIG. 3 is a back view thereof;
FIG. 4 is a right side view thereof;
FIG. 5 is a left view thereof;
FIG. 6 is a top plan view thereof; and,
FIG. 7 is a bottom plan view thereof.

The broken line showing of a receptacle is included for the purpose of illustrating environment and forms no part of the claimed design.

1 Claim, 6 Drawing Sheets



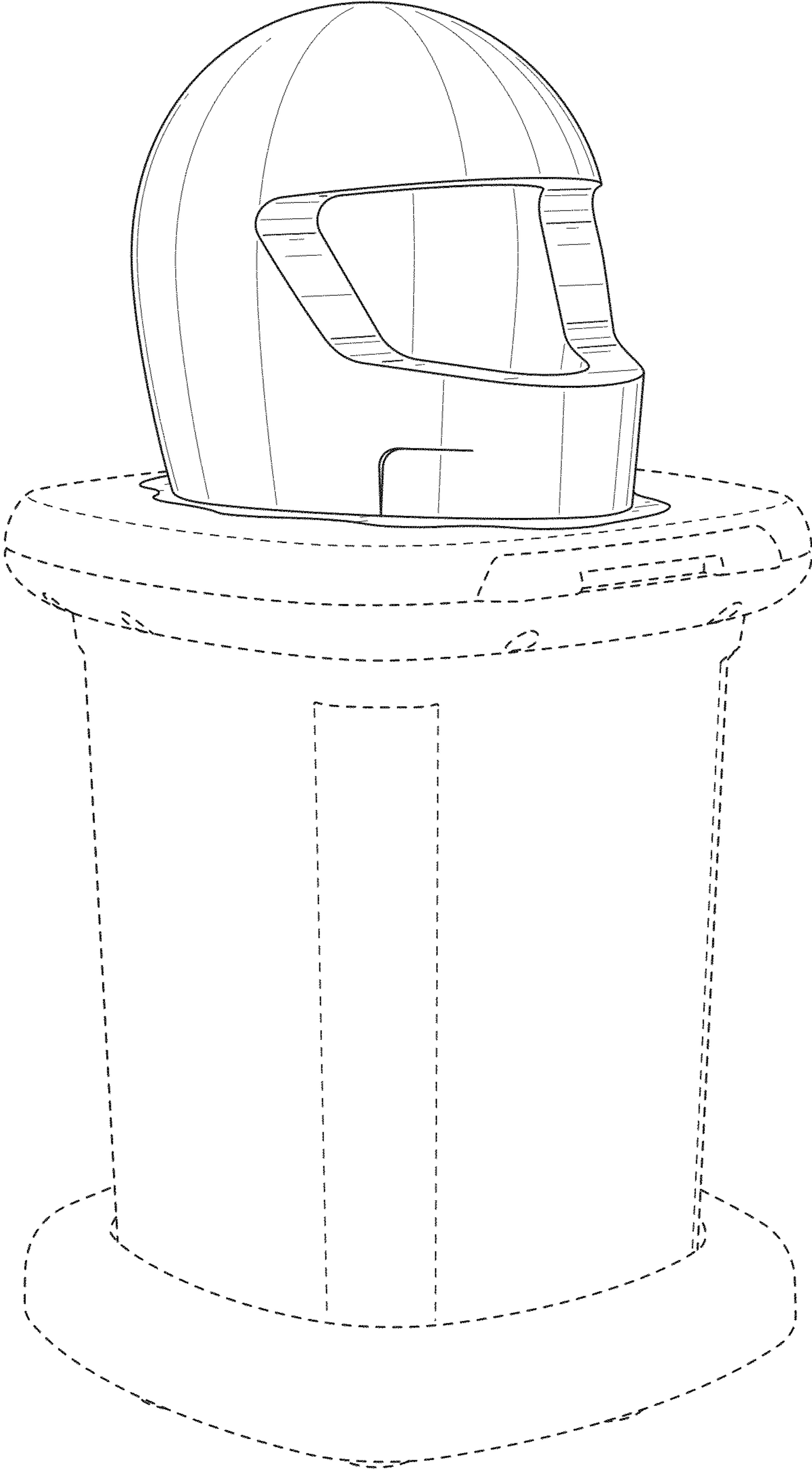


FIG. 1

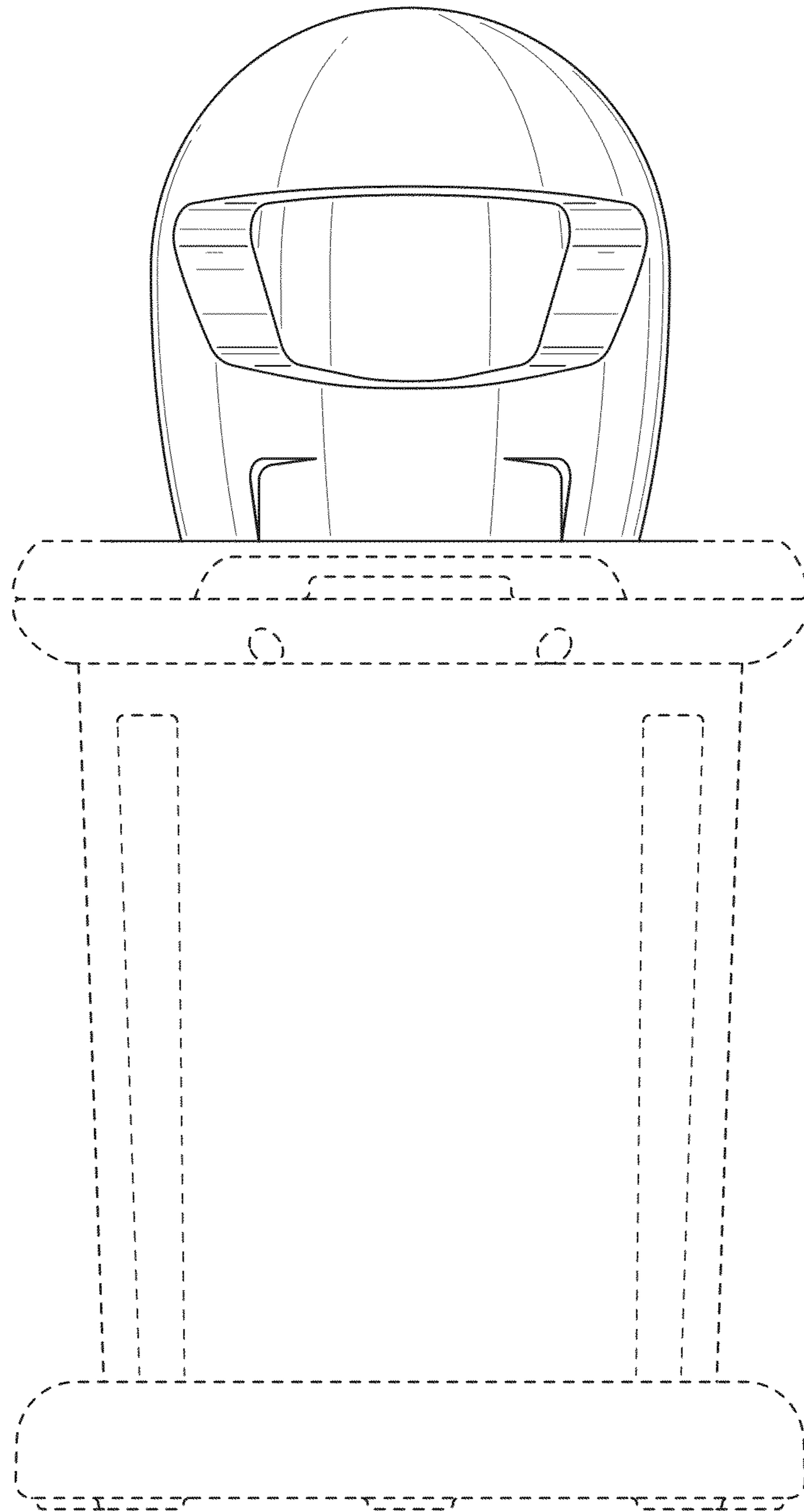


FIG. 2

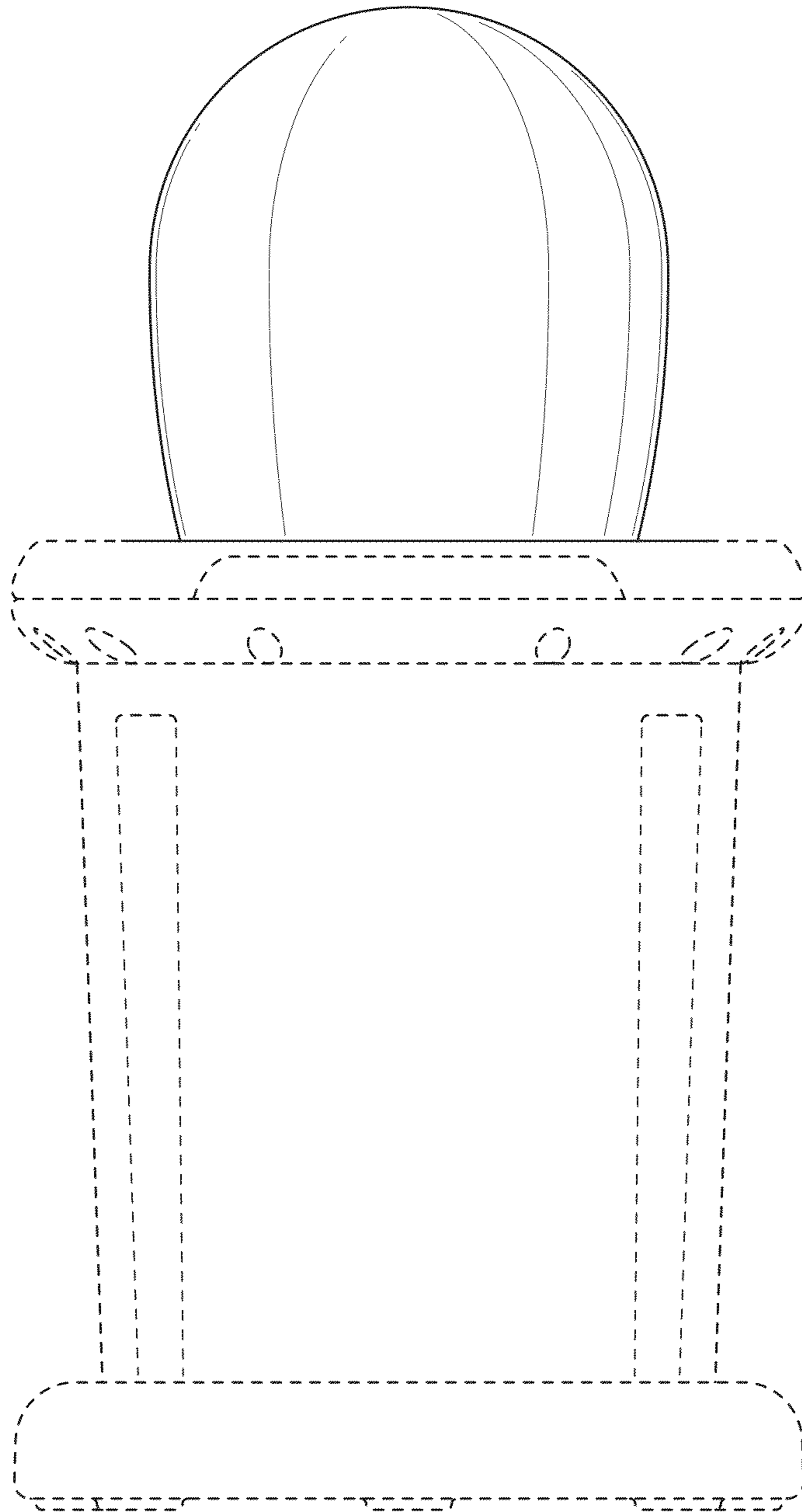


FIG. 3

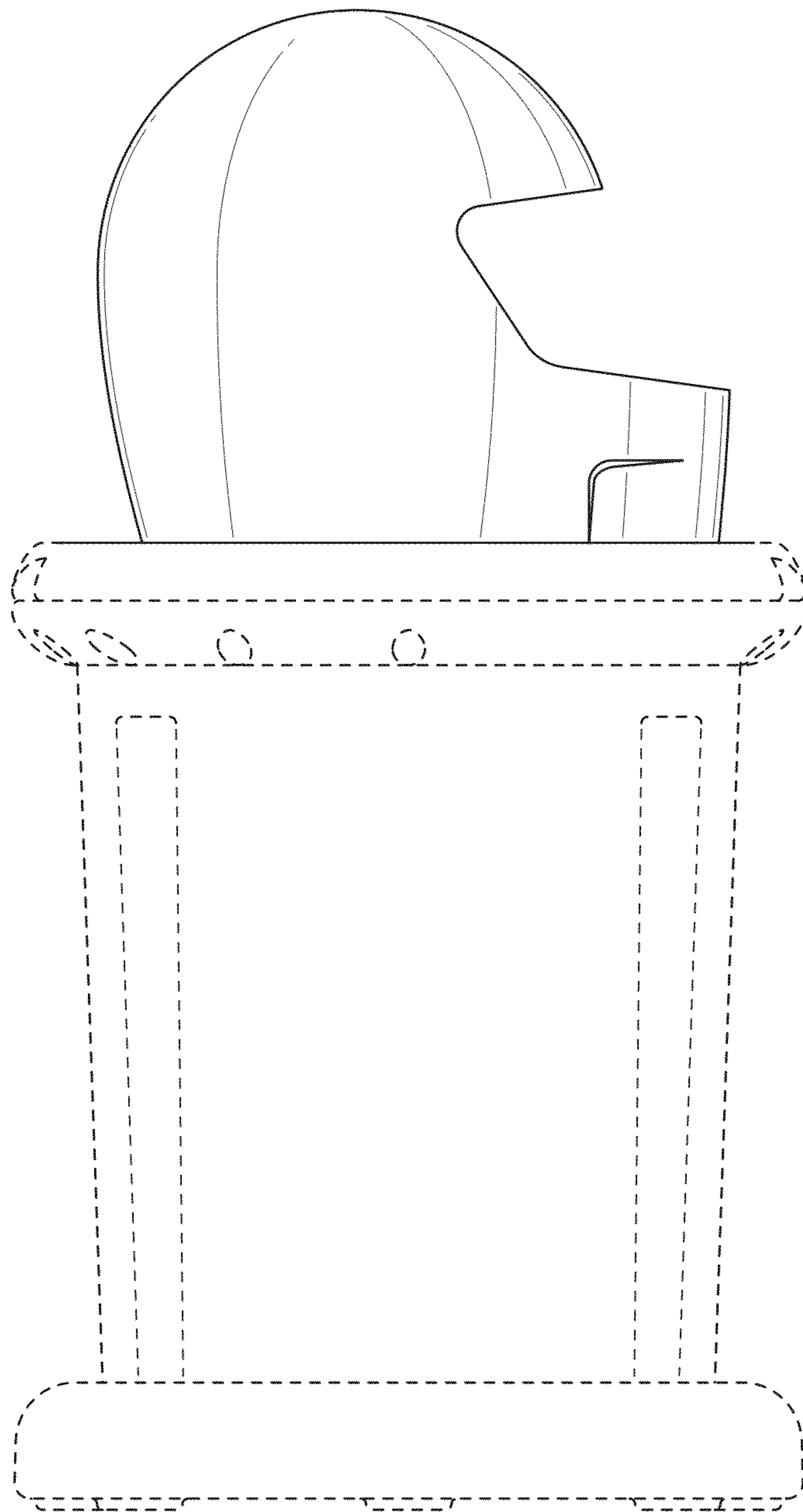


FIG. 4

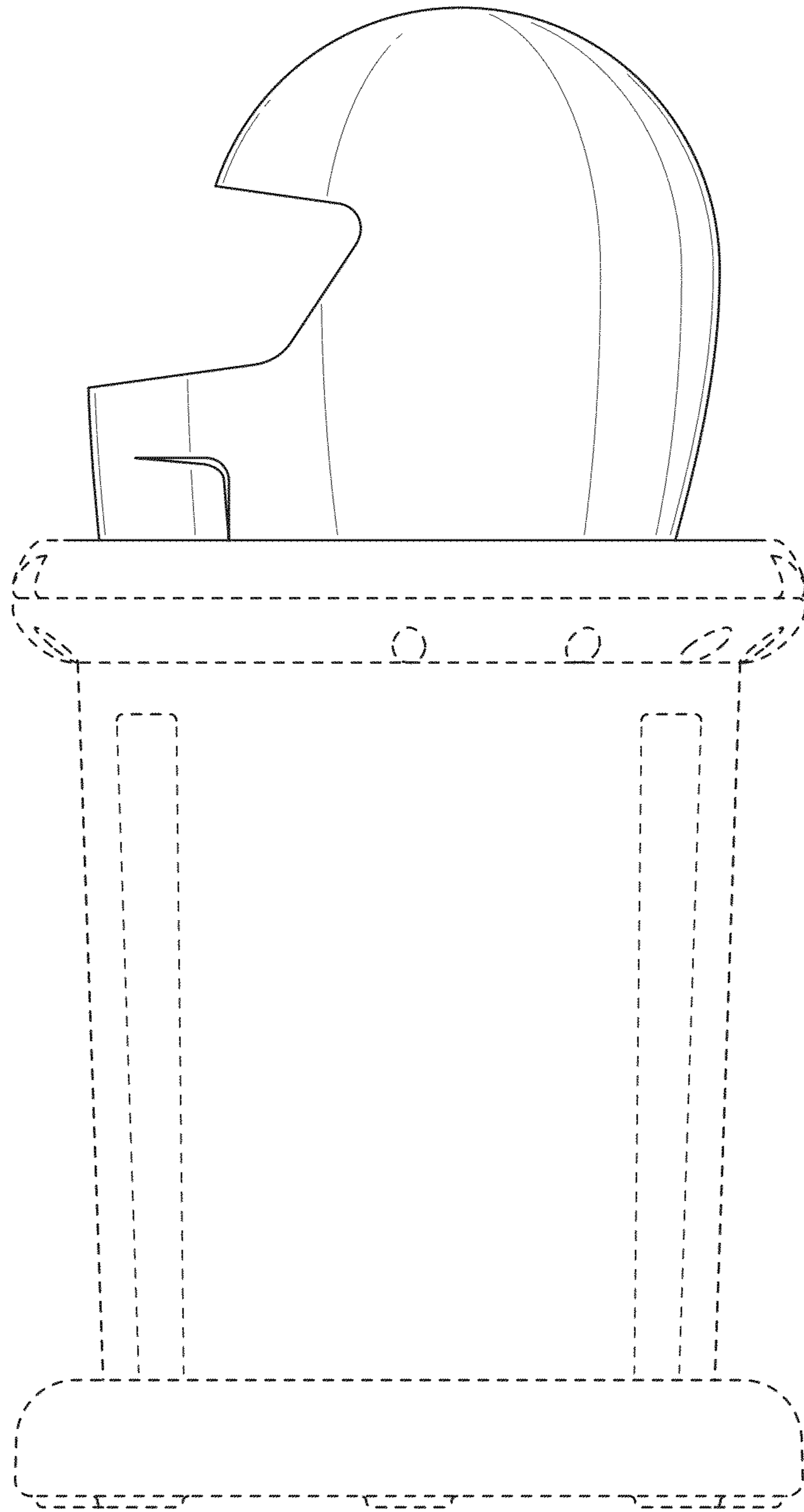


FIG. 5

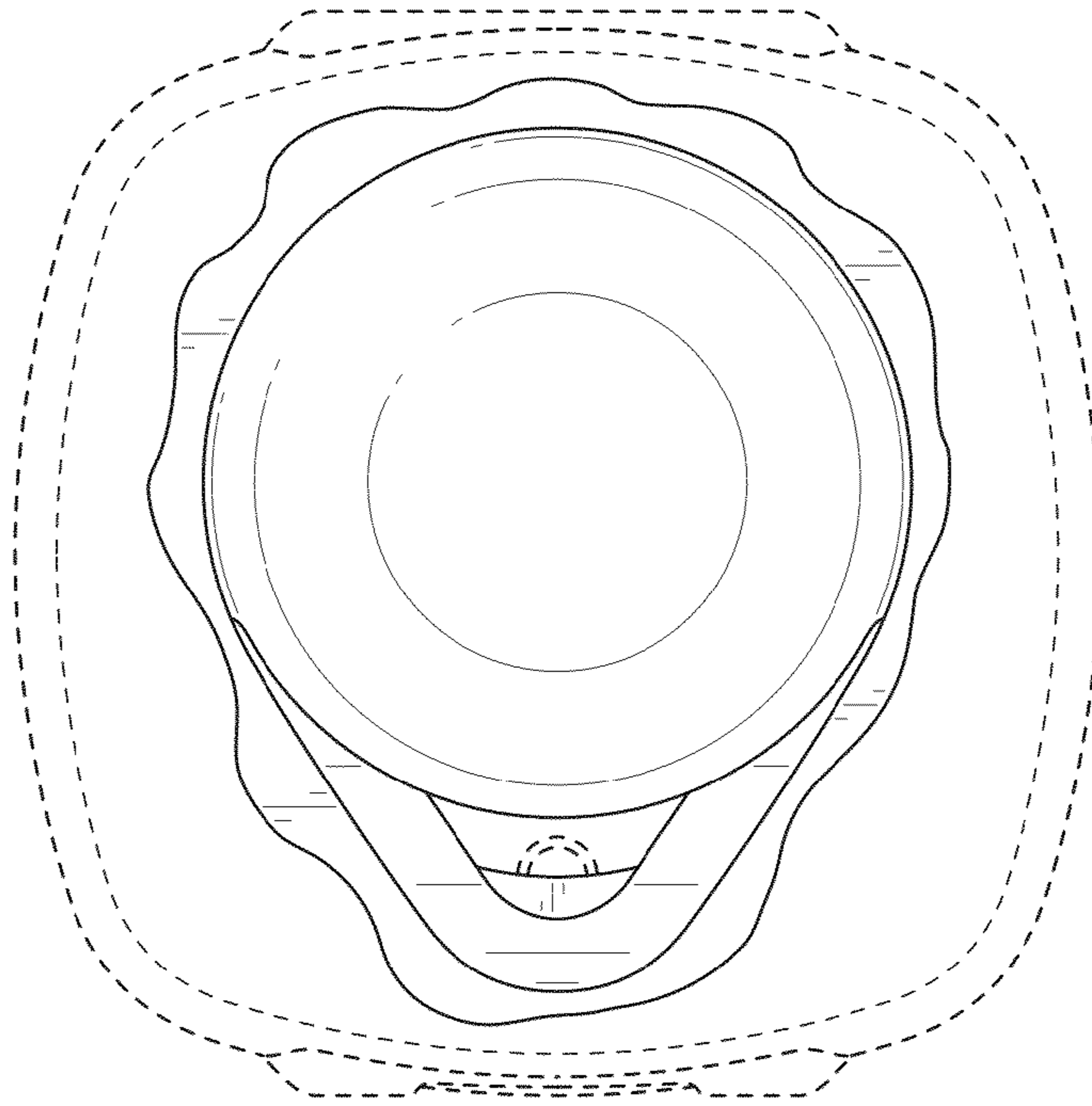


FIG. 6

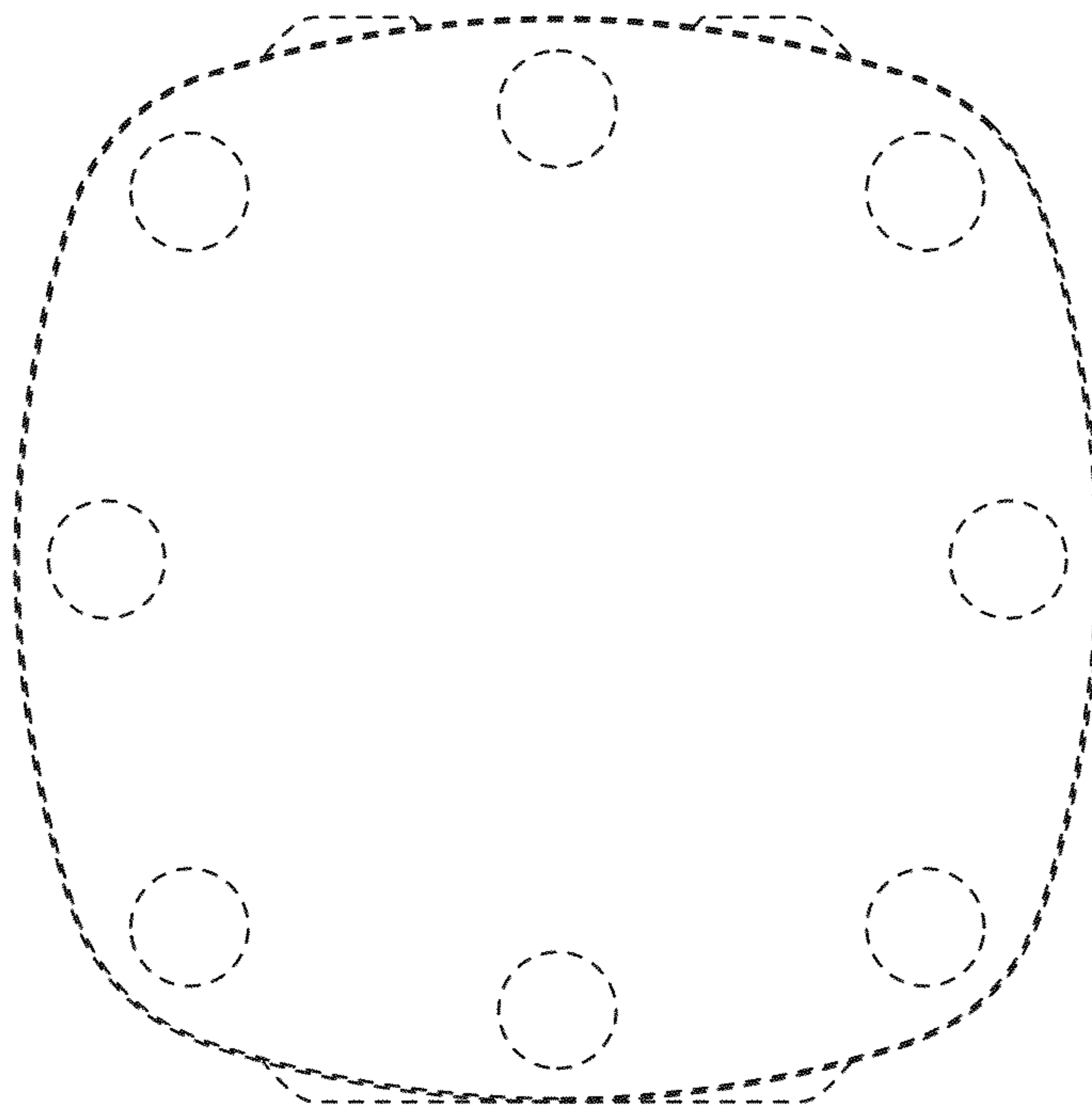


FIG. 7