



US00D684741S

(12) **United States Design Patent**
Harris

(10) **Patent No.:** **US D684,741 S**
(45) **Date of Patent:** **** Jun. 18, 2013**

(54) **COMBINED BAG TRAY AND SLOT FOR WASTE RECEPTACLE**

Primary Examiner — Cynthia Ramirez
(74) *Attorney, Agent, or Firm* — Peter Hartman

(76) Inventor: **Kenneth Harris**, North Hollywood, CA (US)

(57) **CLAIM**
The ornamental design for a combined bag tray and slot for waste receptacle, as shown and described.

(**) Term: **14 Years**

DESCRIPTION

(21) Appl. No.: **29/406,706**

(22) Filed: **Nov. 17, 2011**

(51) **LOC (9) Cl.** **09-09**

(52) **U.S. Cl.**
USPC **D34/1**

(58) **Field of Classification Search**
USPC D34/1-11; 220/908, 908.1, 909, 220/911, 913
See application file for complete search history.

FIG. 1 is a perspective view of a combined bag tray and slot for waste receptacle, showing my new design;
FIG. 2 is a front elevational view thereof;
FIG. 3 is a rear elevational view thereof;
FIG. 4 is a left side elevational view thereof; with the right side elevational being a mirror image thereof;
FIG. 5 is a top plan view thereof;
FIG. 6 is a bottom plan view thereof;
FIG. 7 is an exploded perspective view thereof.
FIG. 8 is a front elevational view of the bag tray, the slot omitted for clarity of illustration;
FIG. 9 is a left-side elevational view of FIG. 8, the right-side elevational view being a mirror image thereof;
FIG. 10 is a rear elevational view of FIG. 8;
FIG. 11 is a bottom plan view of FIG. 8;
FIG. 12 is a top plan view of FIG. 8;
FIG. 13 is a rear elevational view of an embodiment of the bag tray, the slot omitted for clarity of illustration;
FIG. 14 is a left-side elevational view of another embodiment of the bag tray, the right-side elevational view being a mirror image thereof;
FIG. 15 is a top plan view of FIG. 14; and,
FIG. 16 is a perspective view of FIG. 14.
Parts of the waste receptacle are shown in broken lines in FIGS. 1-7 to show boundaries of the invention and form no part of the claimed design.

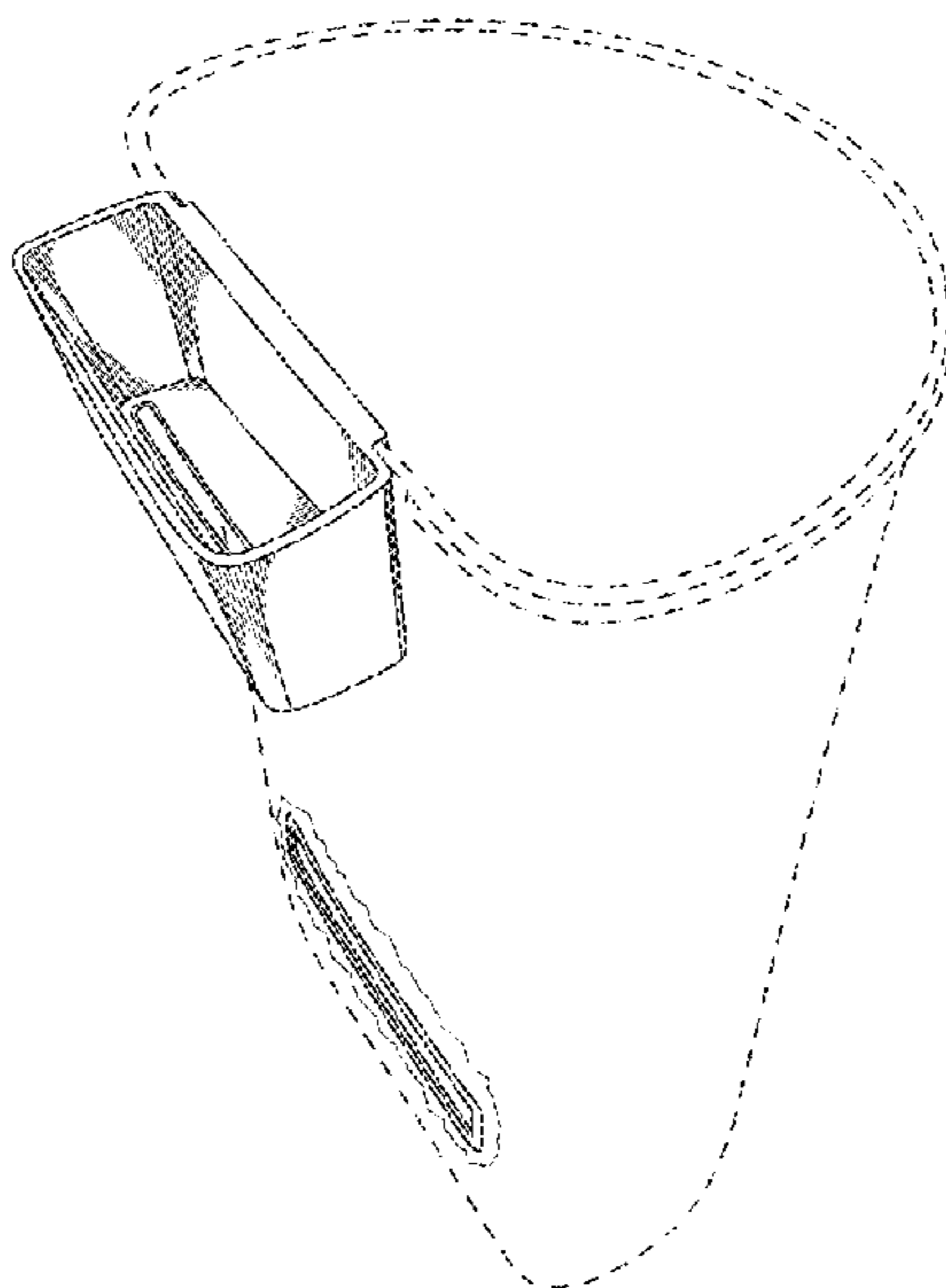
(56) **References Cited**

U.S. PATENT DOCUMENTS

3,800,503	A	4/1974	Maki	
5,111,951	A *	5/1992	Breen et al.	220/23.4
D333,369	S *	2/1993	Breen et al.	D34/10
D384,460	S *	9/1997	Wright	D34/1
5,678,723	A	10/1997	Swift et al.	
6,123,215	A *	9/2000	Windle	220/495.07
6,126,031	A *	10/2000	Reason	220/495.07
D490,581	S *	5/2004	Keithly et al.	D34/1
D492,196	S *	6/2004	Hyhlik et al.	D9/737
D565,823	S *	4/2008	Hendricks	D34/1
7,530,465	B2 *	5/2009	Holland	220/23.86
D596,408	S *	7/2009	Cohen	D4/116
D665,140	S *	8/2012	Greene	D34/1
2006/0163257	A1	7/2006	Golbert	
2006/0261072	A1 *	11/2006	Diep	220/495.07

* cited by examiner

1 Claim, 4 Drawing Sheets



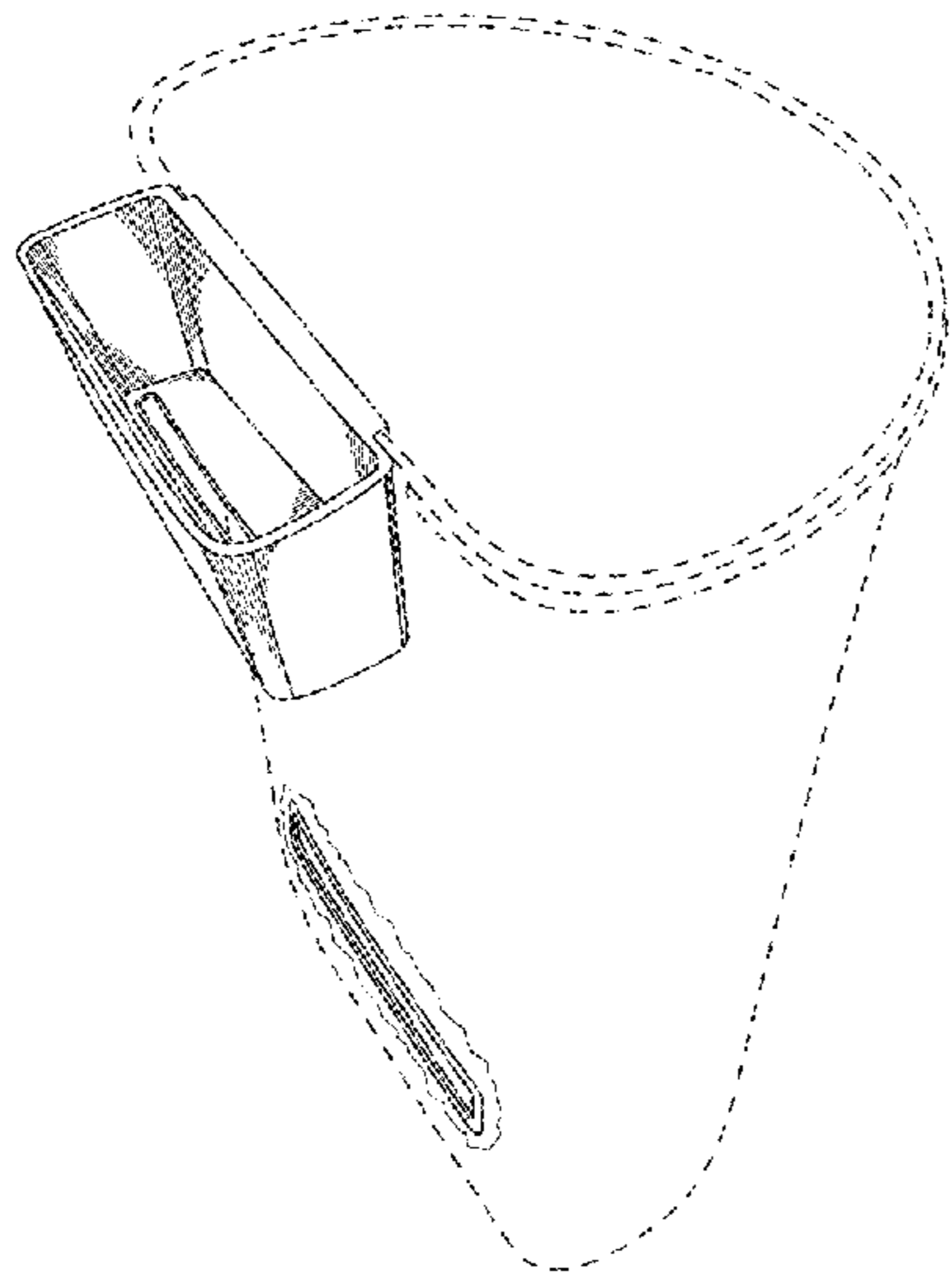


FIG. 1

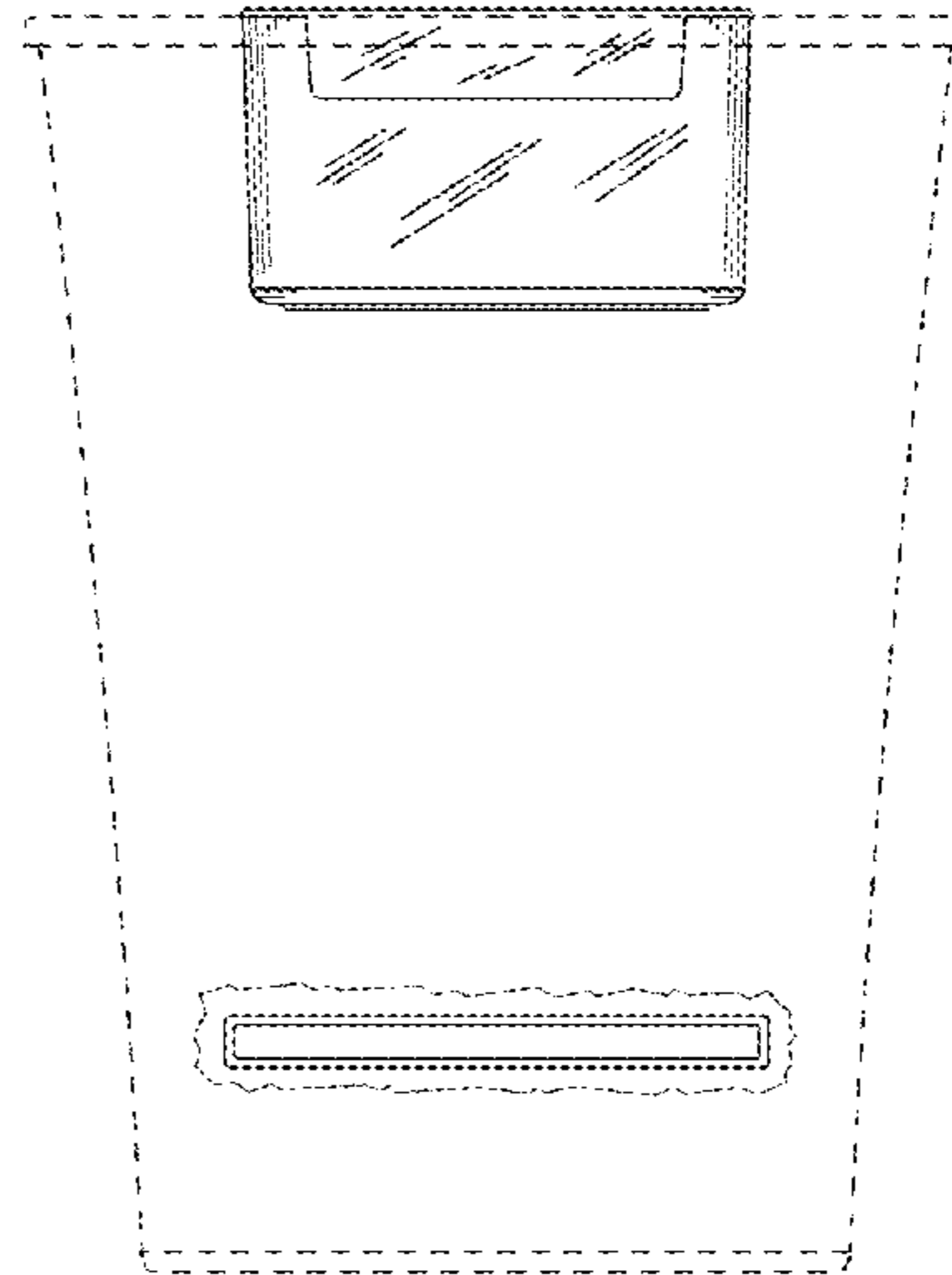


FIG. 2

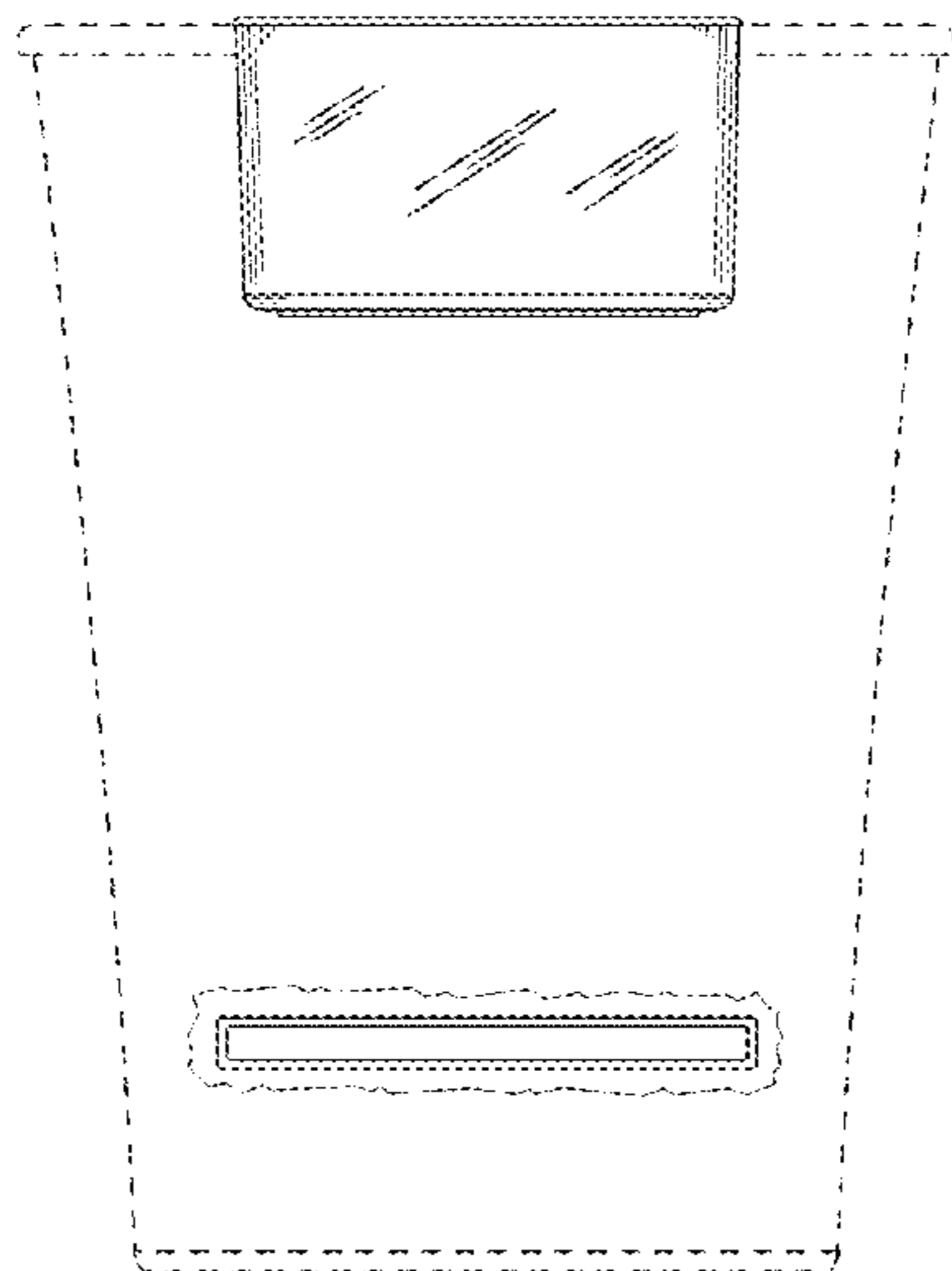


FIG. 3

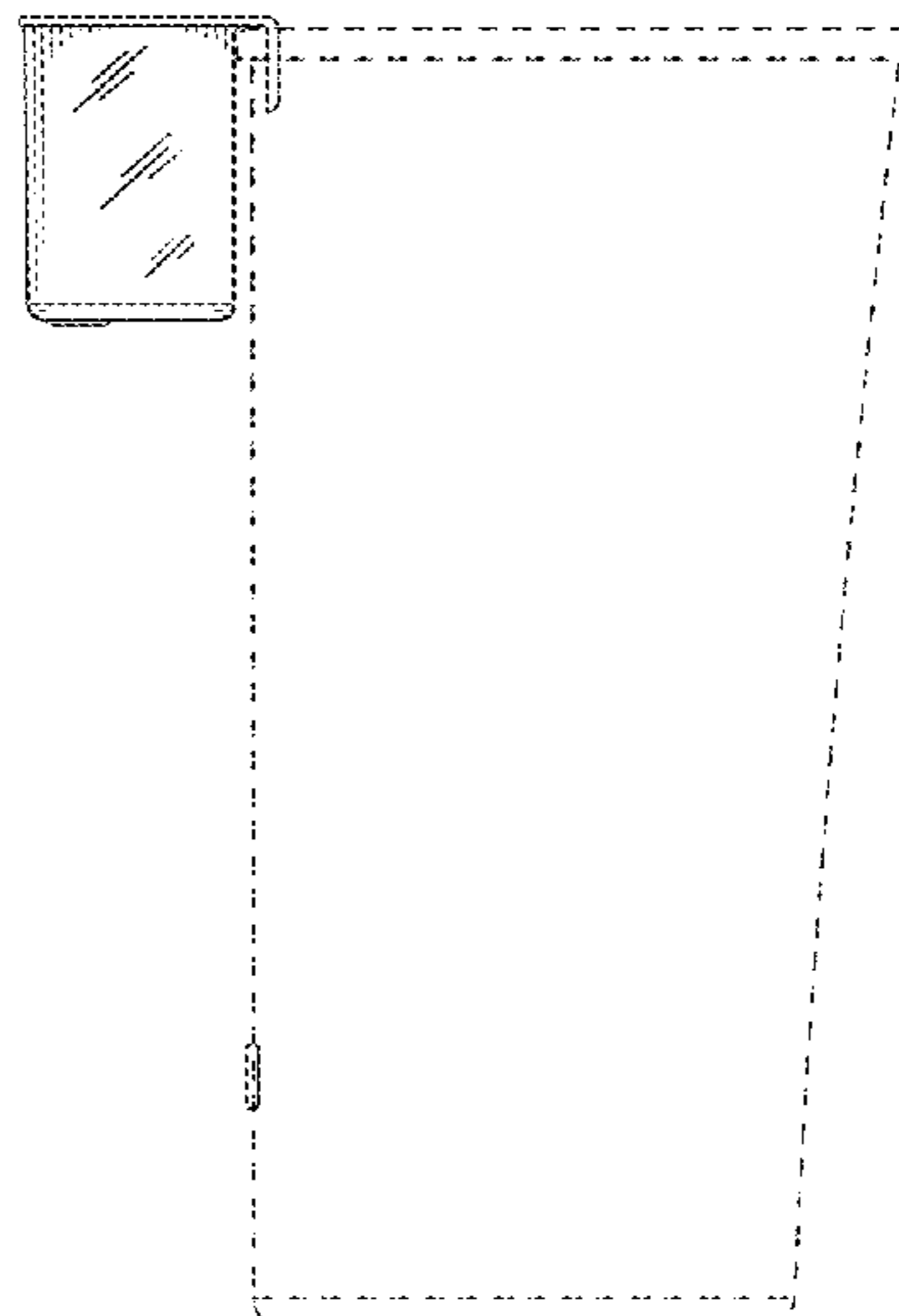


FIG. 4

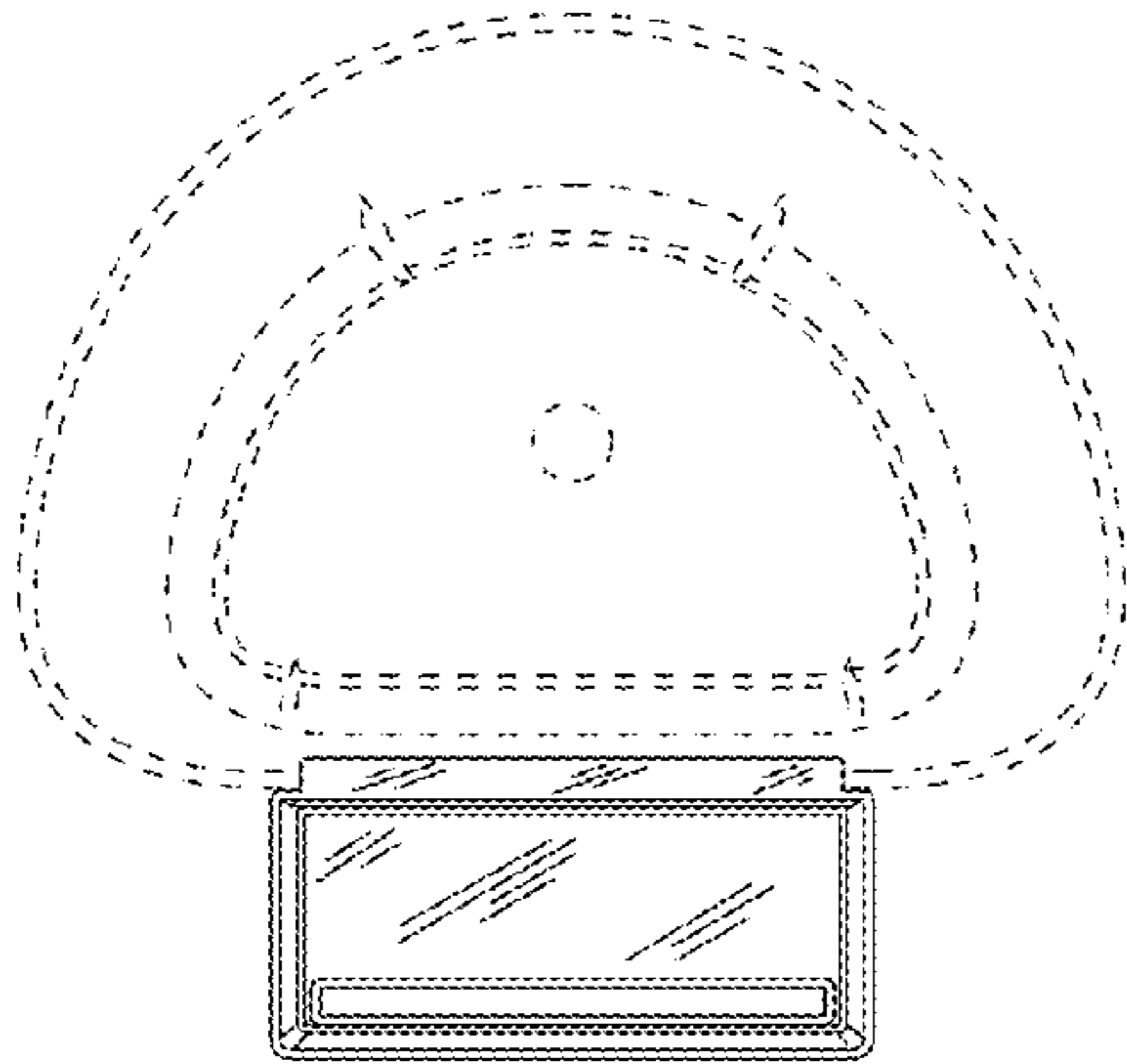


FIG. 5

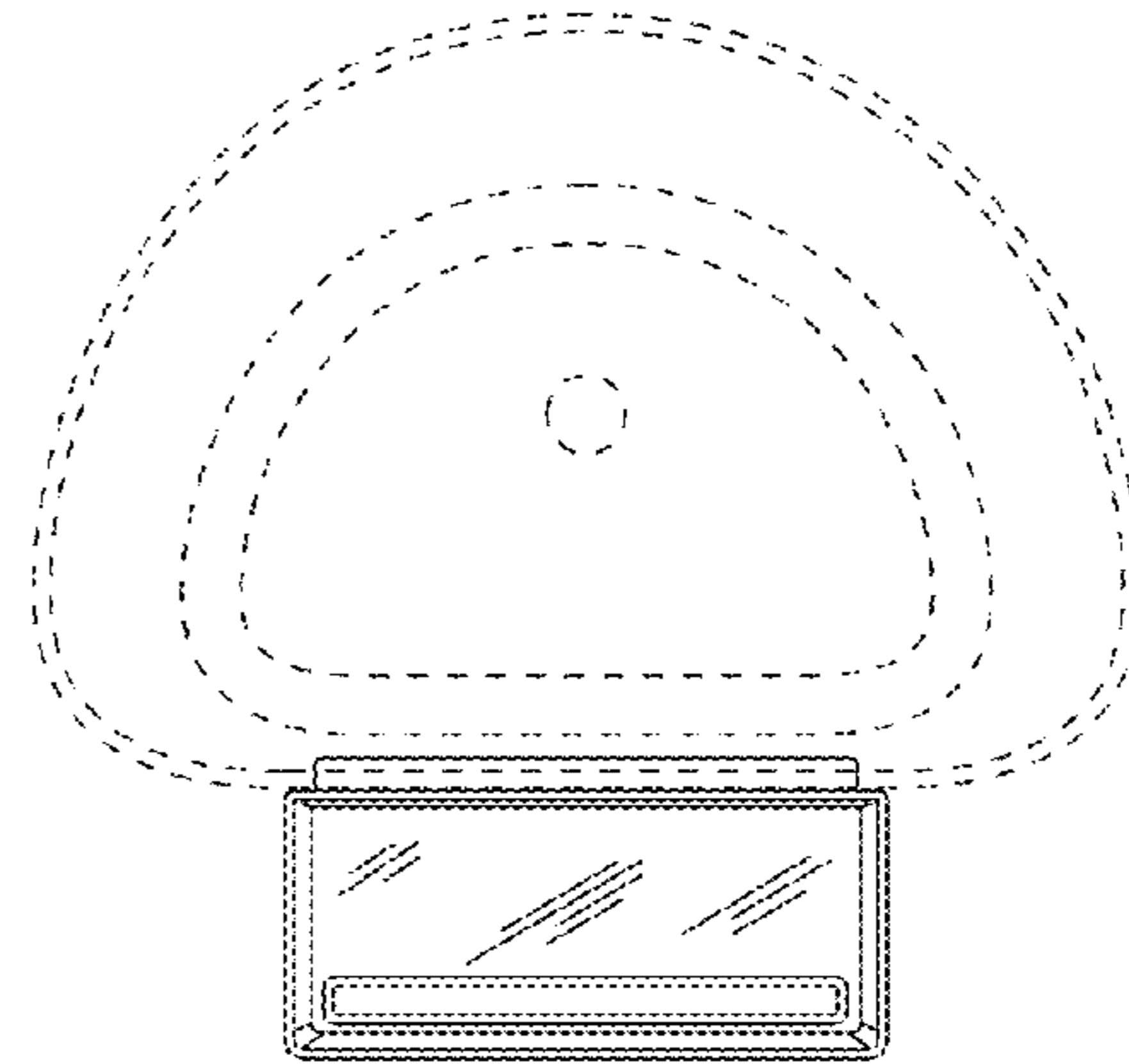


FIG. 6

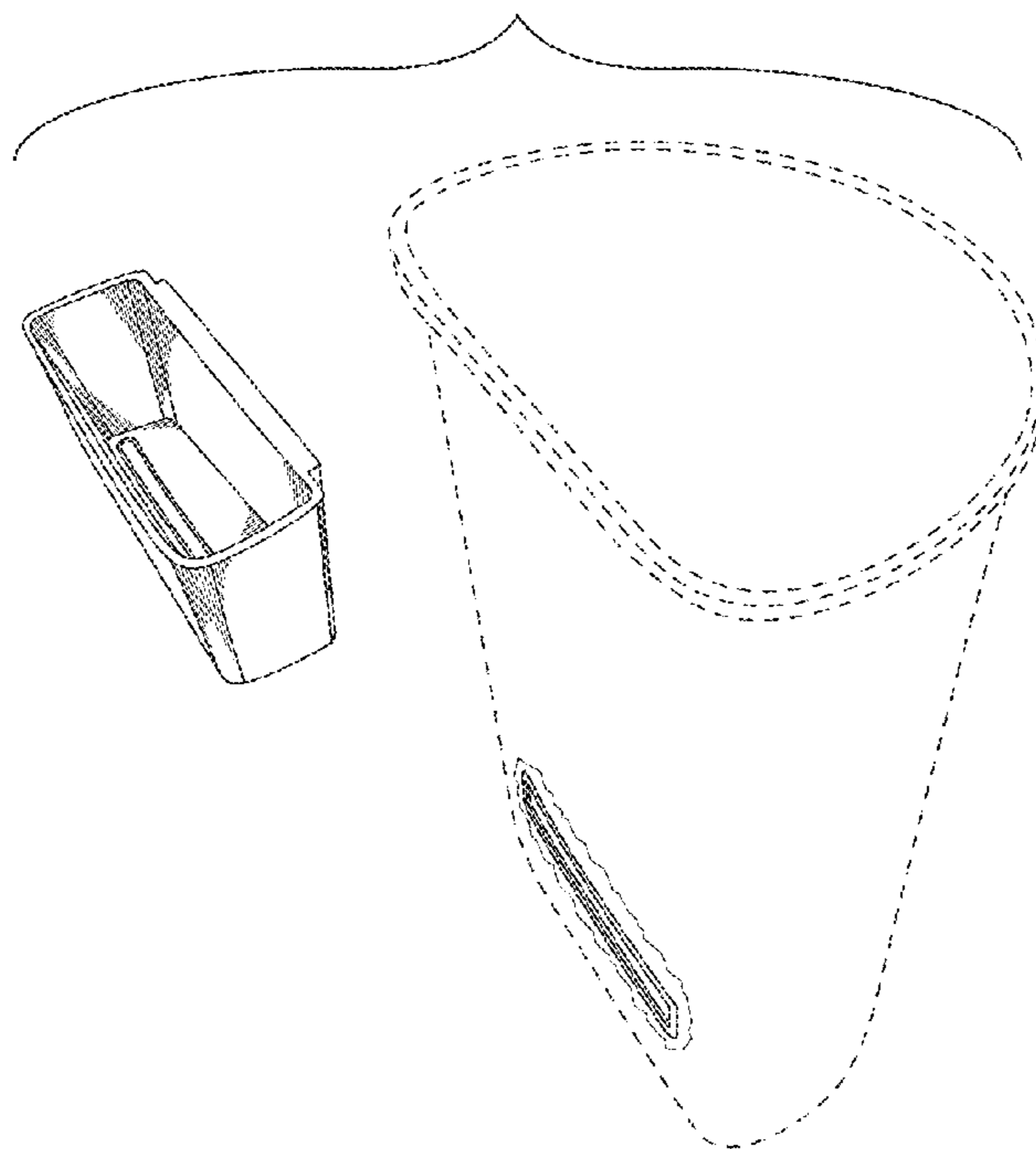


FIG. 7

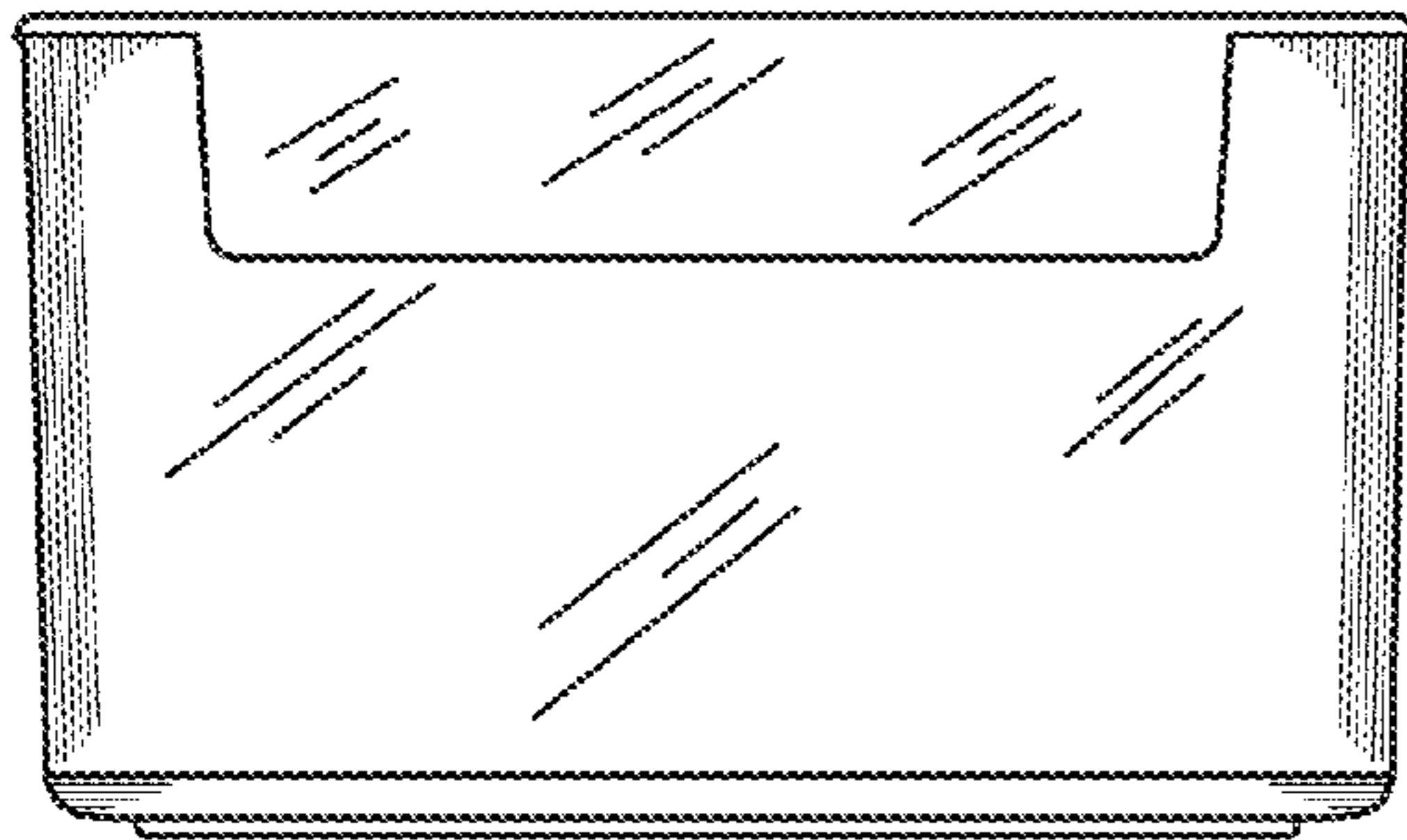


FIG. 8

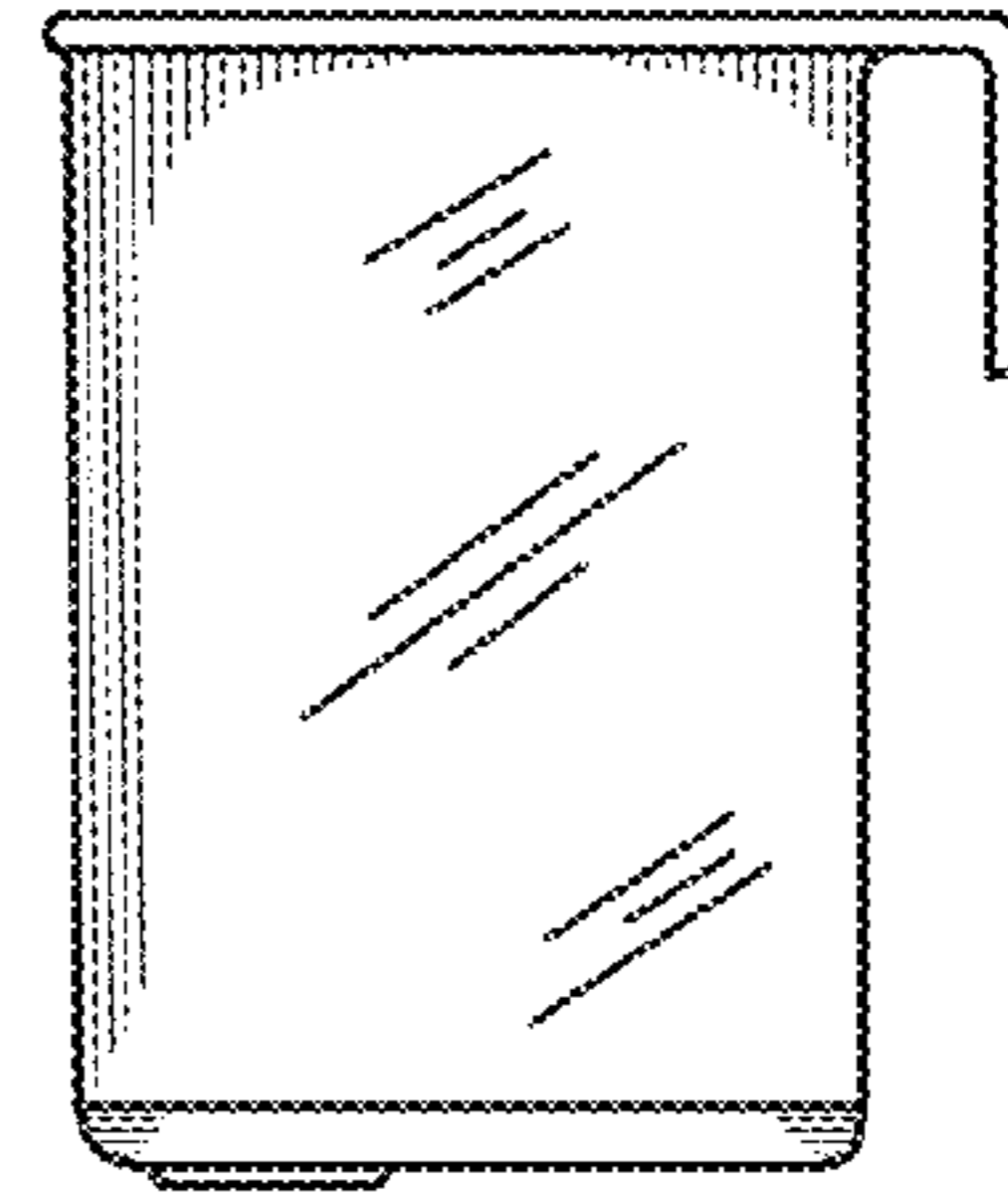


FIG. 9

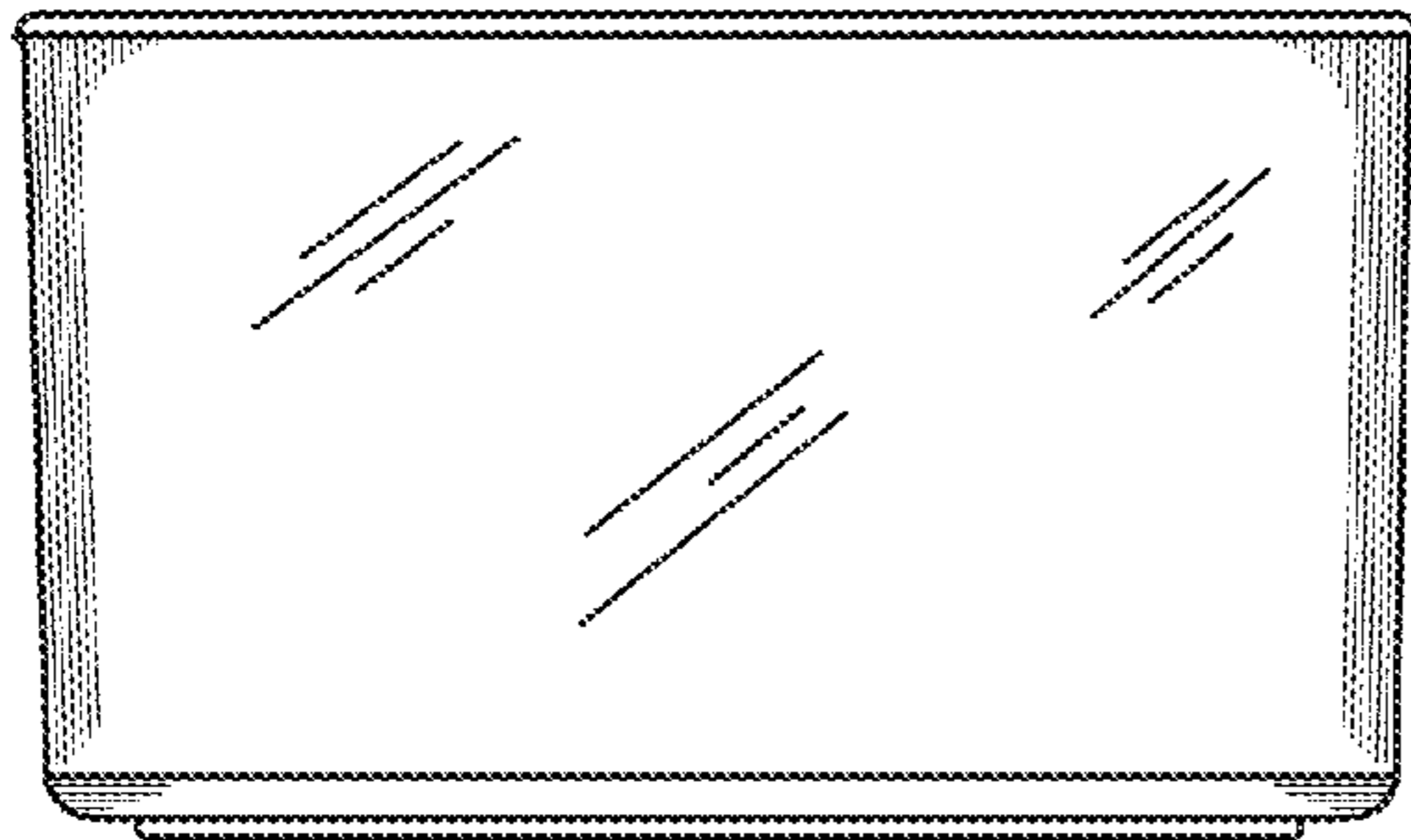


FIG. 10

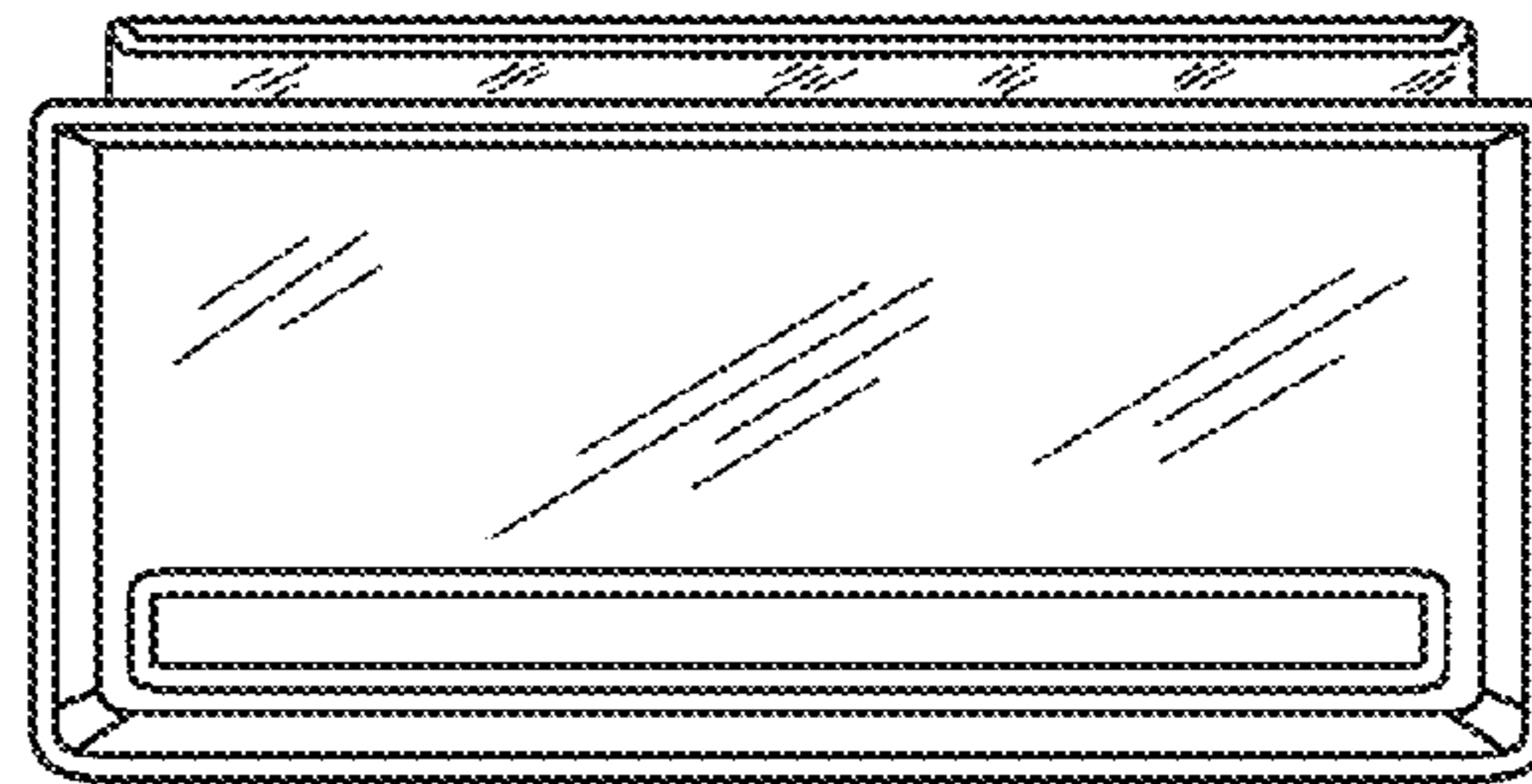


FIG. 11

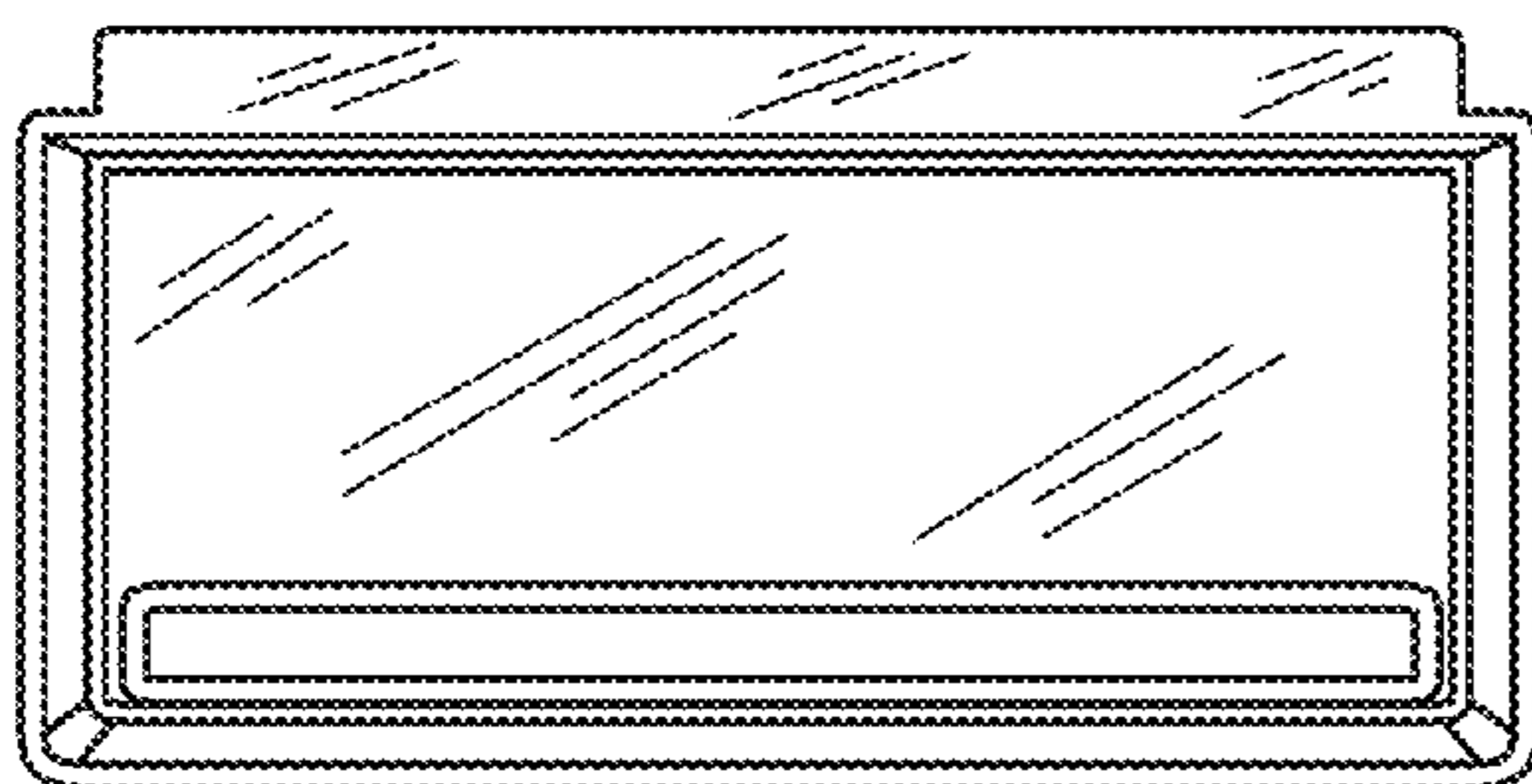


FIG. 12

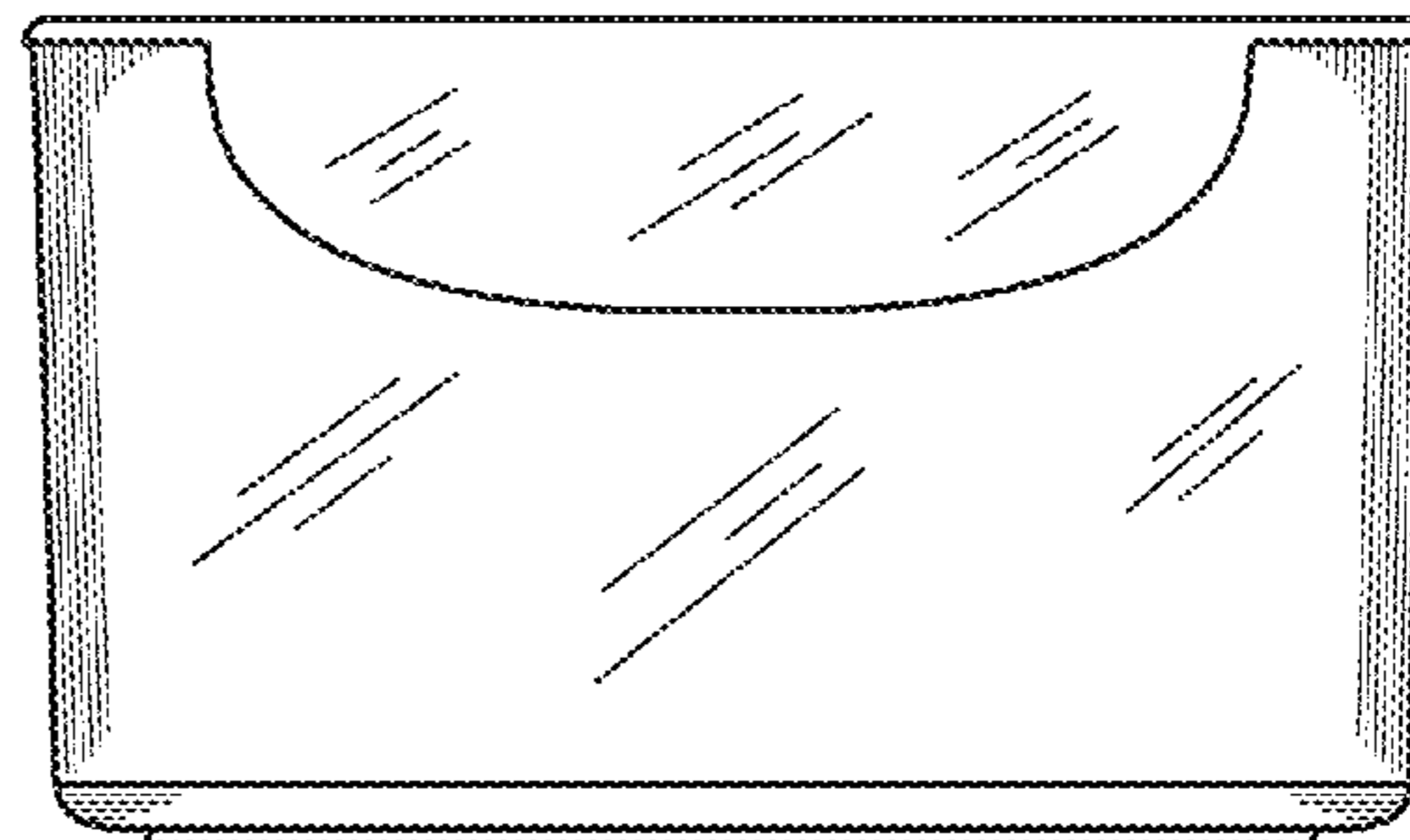


FIG. 13

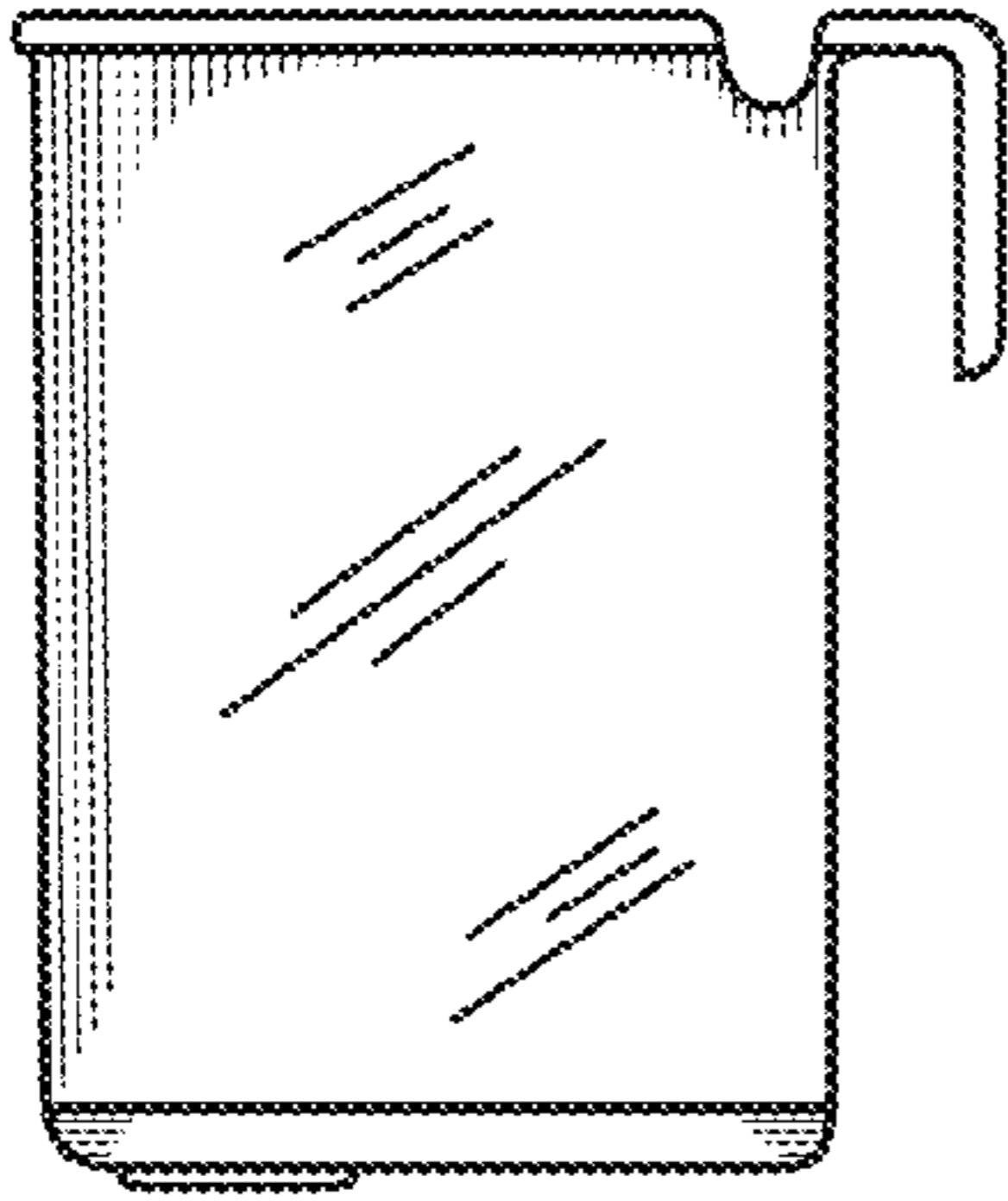


FIG. 14

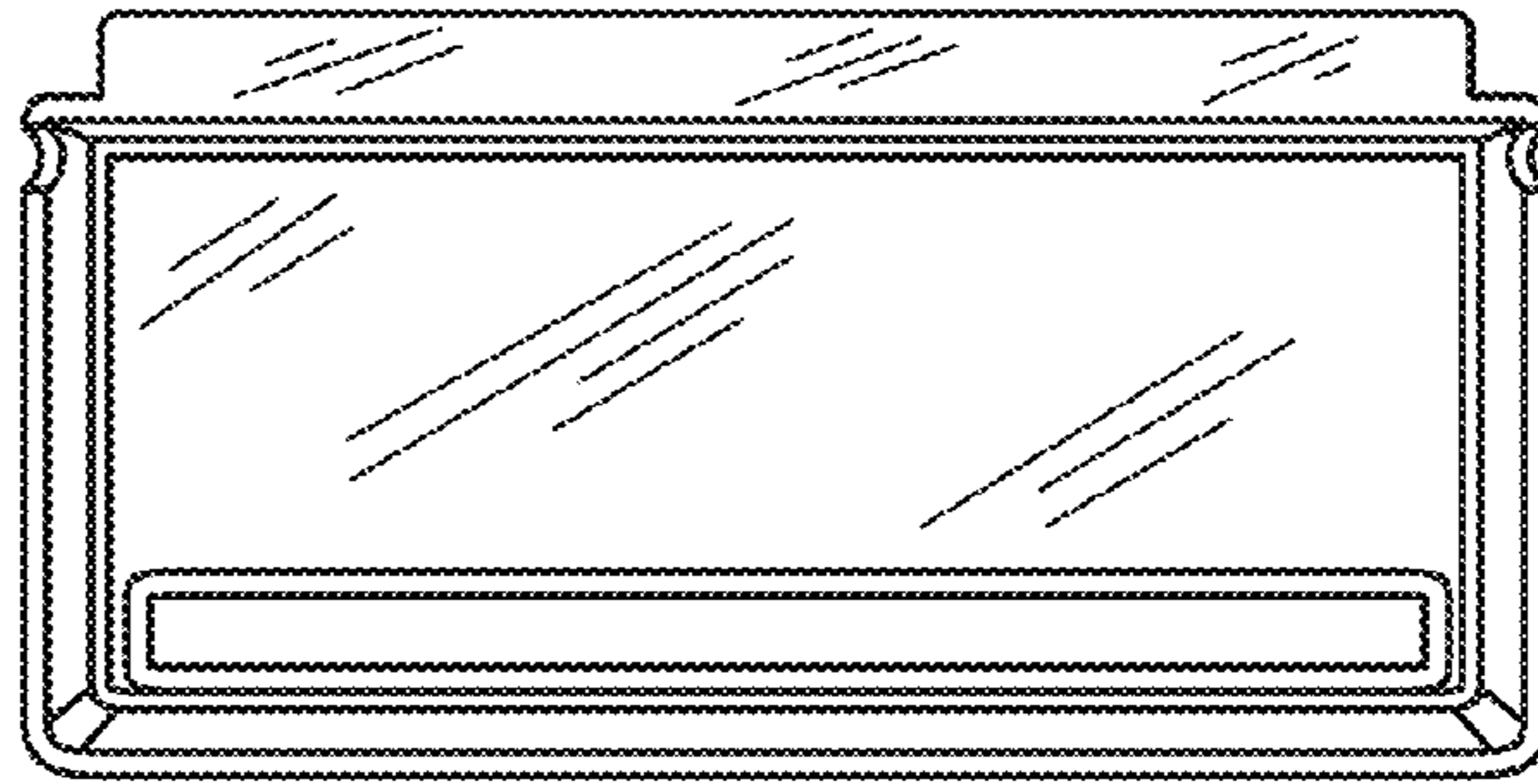


FIG. 15

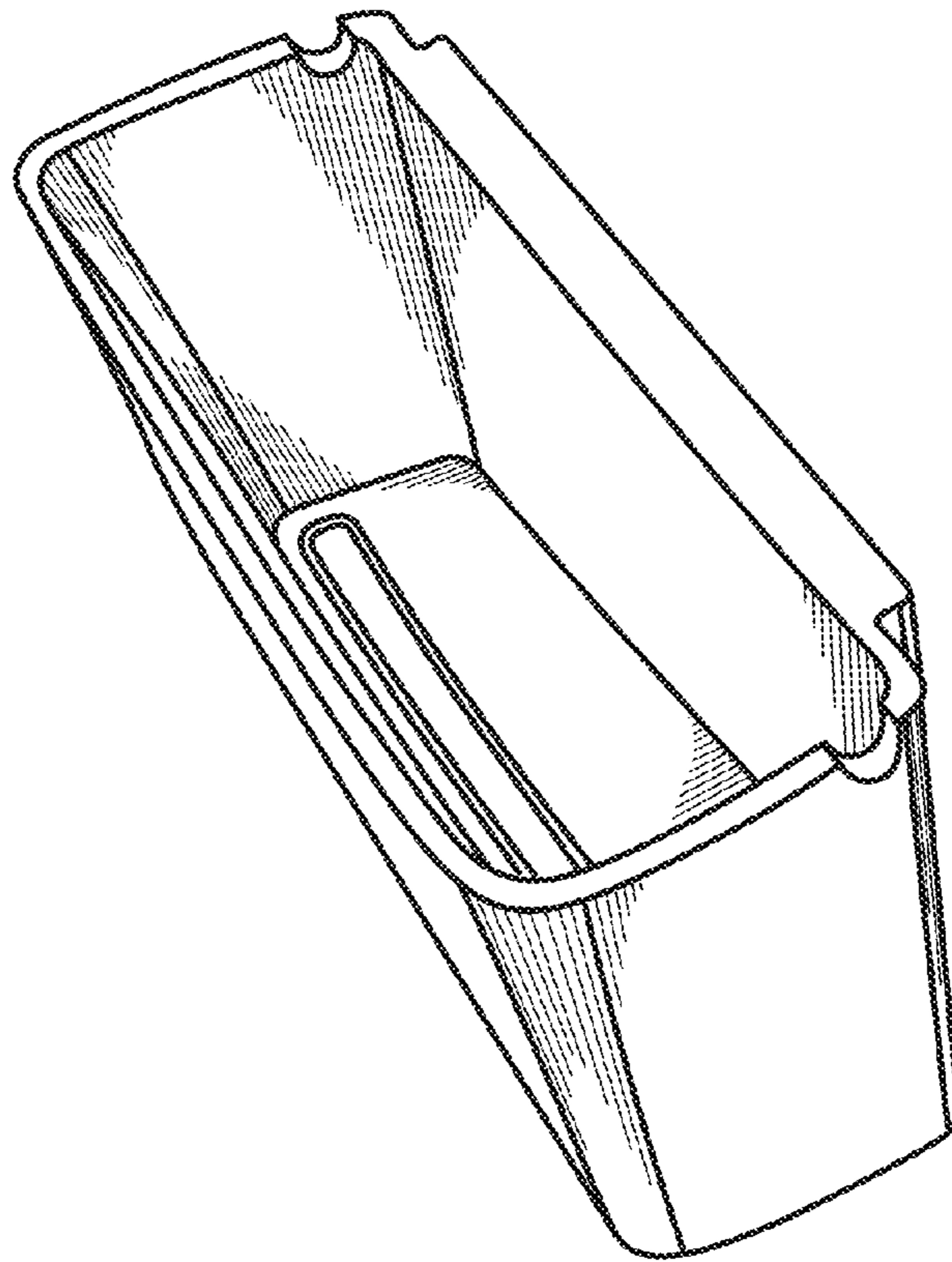


FIG. 16