



US00D684740S

(12) **United States Design Patent**
Geyer et al.

(10) **Patent No.:** **US D684,740 S**
(45) **Date of Patent:** **** Jun. 18, 2013**

(54) **CONTROL PANEL OF WASHING AND/OR DRYING MACHINE**

(75) Inventors: **Johannes Geyer**, Haar (DE); **Florian Metz**, Unterföhring (DE); **Roger Münstermann**, München (DE); **Carsten Weber**, Aalen (DE)

(73) Assignee: **BSH Bosch und Siemens Hausgeraete GmbH**, Munich (DE)

(**) Term: **14 Years**

(21) Appl. No.: **29/414,613**

(22) Filed: **Mar. 1, 2012**

(30) **Foreign Application Priority Data**

Sep. 2, 2011 (EM) 001293807

(51) **LOC (9) Cl.** **15-05**

(52) **U.S. Cl.**
USPC **D32/28**

(58) **Field of Classification Search**
USPC D32/1, 5-10, 25, 28; 68/3 R, 5 R,
68/12.01; 34/87-88, 523-524
See application file for complete search history.

(56) **References Cited**

U.S. PATENT DOCUMENTS

D559,479	S *	1/2008	Kwon et al.	D32/6
D559,480	S *	1/2008	Kwon et al.	D32/6
D563,062	S *	2/2008	Eicher et al.	D32/6
D565,809	S *	4/2008	Eicher et al.	D32/6
D571,064	S *	6/2008	Eicher et al.	D32/28
D577,870	S *	9/2008	Kim et al.	D32/6
D582,106	S *	12/2008	Kim et al.	D32/6
D599,508	S *	9/2009	Choi et al.	D32/6
D606,715	S *	12/2009	Matsusaki	D32/5
D613,010	S *	3/2010	Eicher et al.	D32/28
D618,865	S *	6/2010	Cline et al.	D32/6

(Continued)

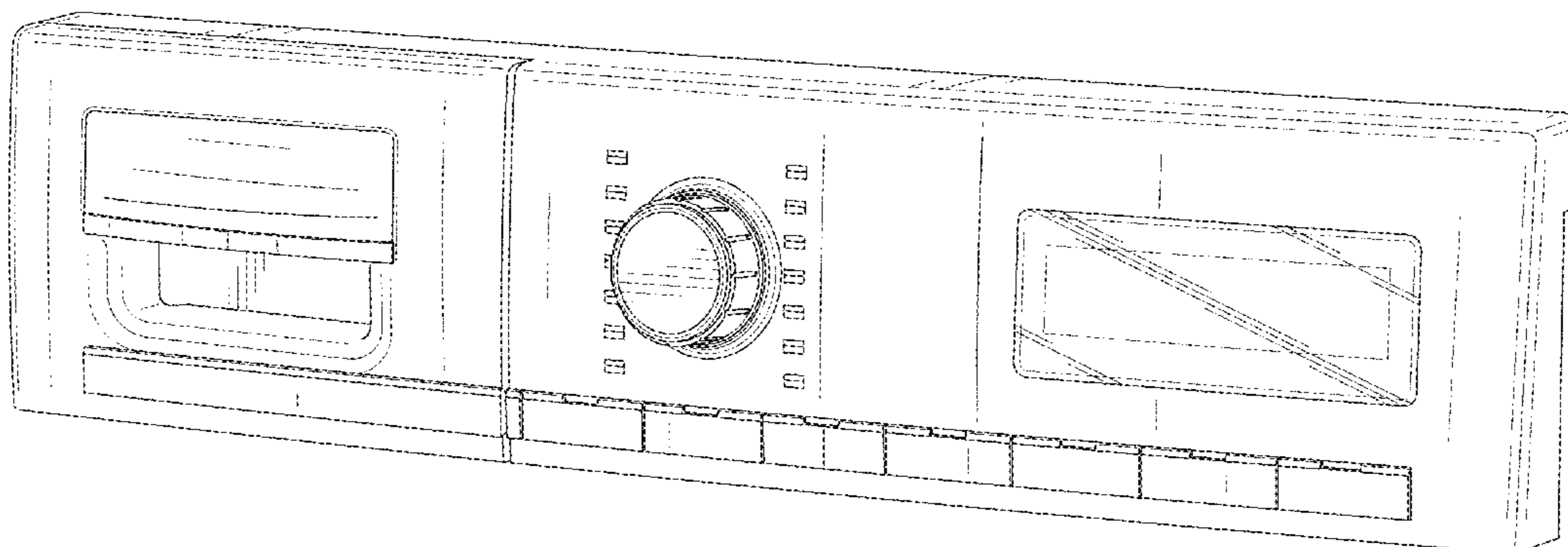
Primary Examiner — T. Chase Nelson
Assistant Examiner — Kathleen M Sims
(74) *Attorney, Agent, or Firm* — James E. Howard; Andre Pallapies

(57) **CLAIM**
The ornamental design for a control panel of washing and/or drying machine, as shown and described.

DESCRIPTION

FIG. 1 is a front perspective view, from the top, of a control panel of washing and/or drying machine according to a first embodiment showing our new ornamental design; FIG. 2 is a front view thereof; FIG. 3 is a rear view thereof; FIG. 4 is a top view thereof; FIG. 5 is a bottom view thereof; FIG. 6 is a left side view thereof; FIG. 7 is a right hand side view thereof; FIG. 8 is a front perspective view, from the top, of a control panel of washing and/or drying machine according to a second embodiment showing our new ornamental design; FIG. 9 is a front view thereof; FIG. 10 is a rear view thereof; FIG. 11 is a top view thereof; FIG. 12 is a bottom view thereof; FIG. 13 is a left side view thereof; FIG. 14 is a right hand side view thereof; FIG. 15 is a front perspective view, from the top, of a control panel of washing and/or drying machine according to a third embodiment showing our new ornamental design; FIG. 16 is a front view thereof; FIG. 17 is a rear view thereof; FIG. 18 is a top view thereof; FIG. 19 is a bottom view thereof; FIG. 20 is a left side view thereof; and, FIG. 21 is a right hand side view thereof. The use of stippling in various figures, e.g., FIGS. 8 and 9, indicates a contrast in materials.

1 Claim, 12 Drawing Sheets



US D684,740 S

Page 2

U.S. PATENT DOCUMENTS

D631,623 S *	1/2011	Chung et al.	D32/6	D655,543 S *	3/2012	Beck	D6/518
D633,262 S *	2/2011	Jeon et al.	D32/6	2007/0209403 A1 *	9/2007	Byun et al.	68/3 R
D635,727 S *	4/2011	Jeon et al.	D32/6	2009/0282874 A1 *	11/2009	Lee et al.	68/12.12
D640,020 S *	6/2011	Helot et al.	D32/5				

* cited by examiner

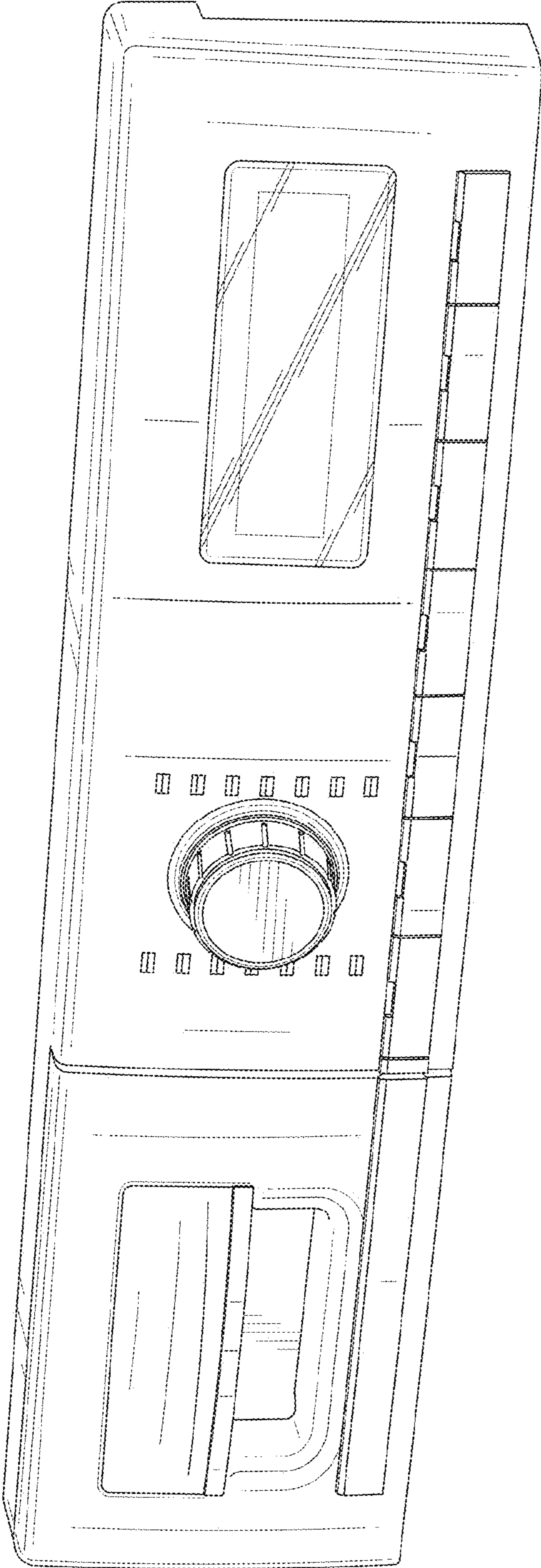


Fig. 1

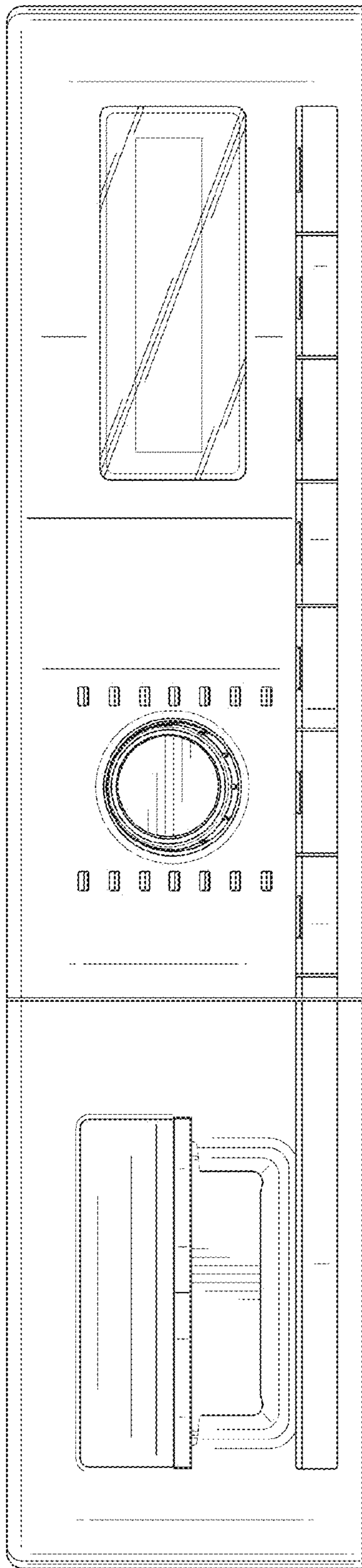


Fig. 2

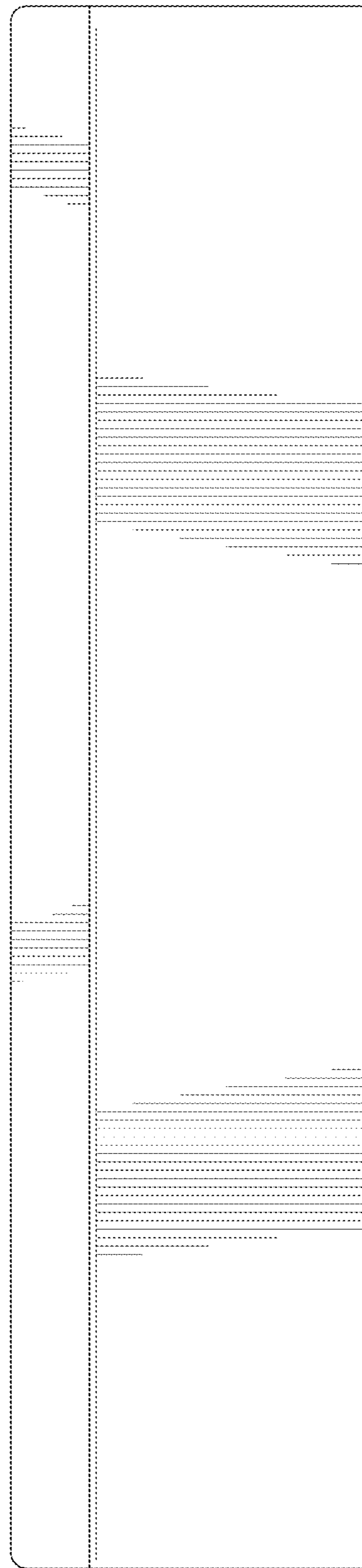


Fig. 3

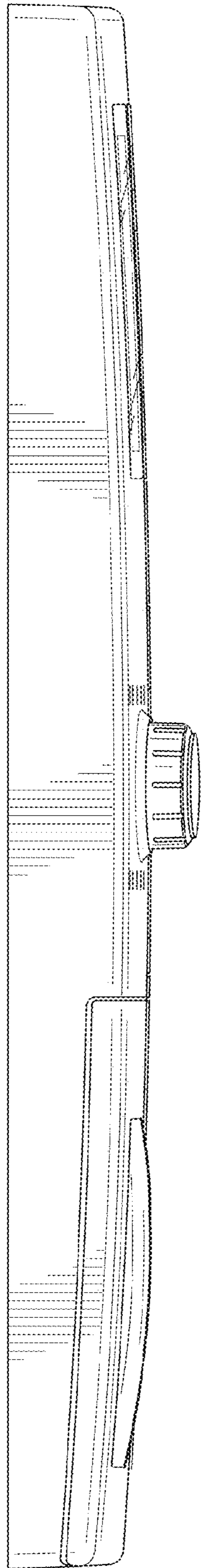


Fig. 4

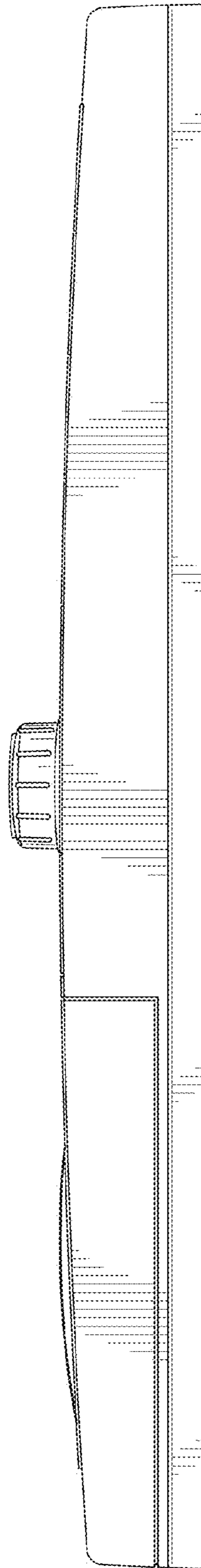


Fig. 5

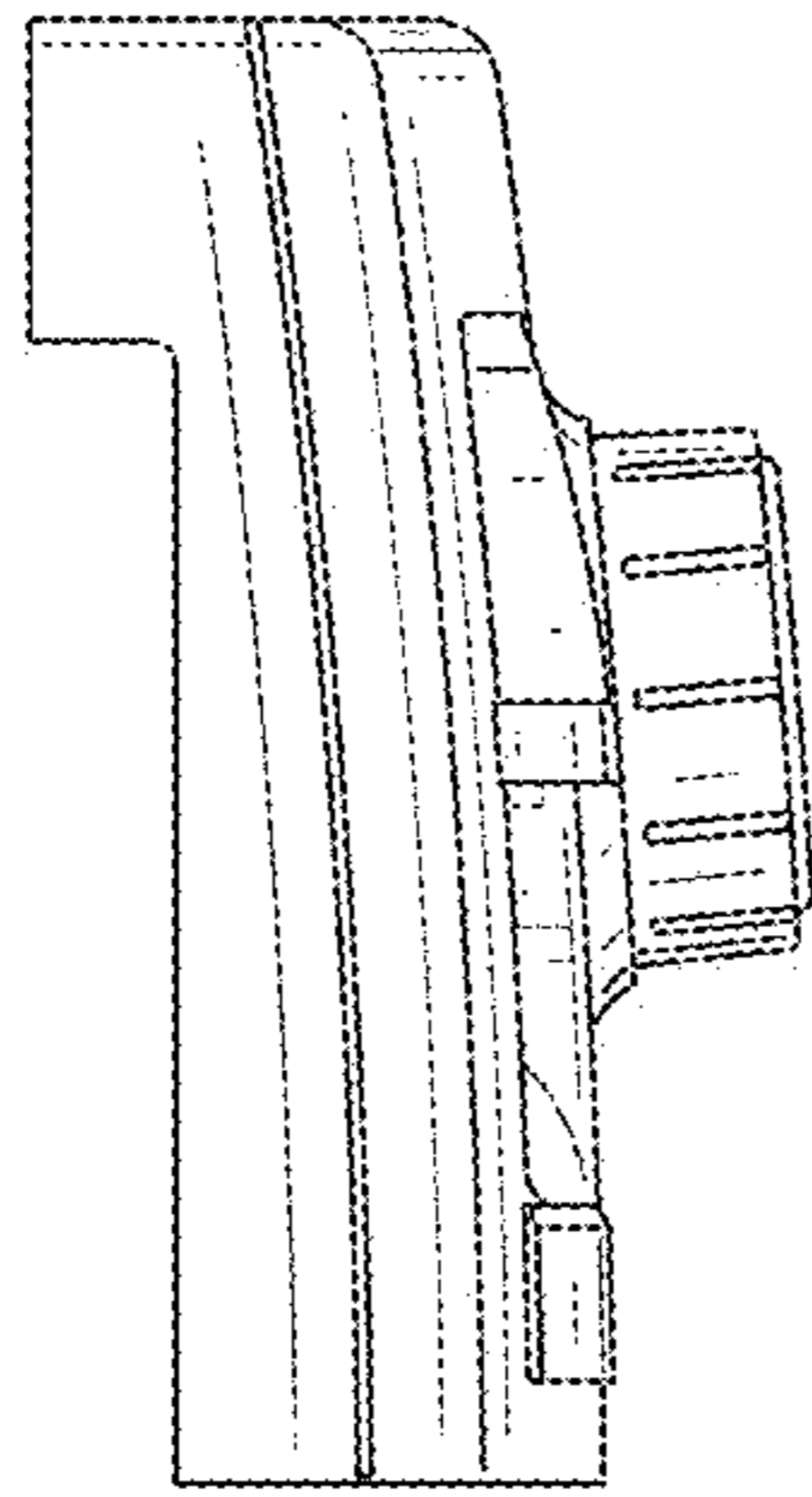


Fig. 6

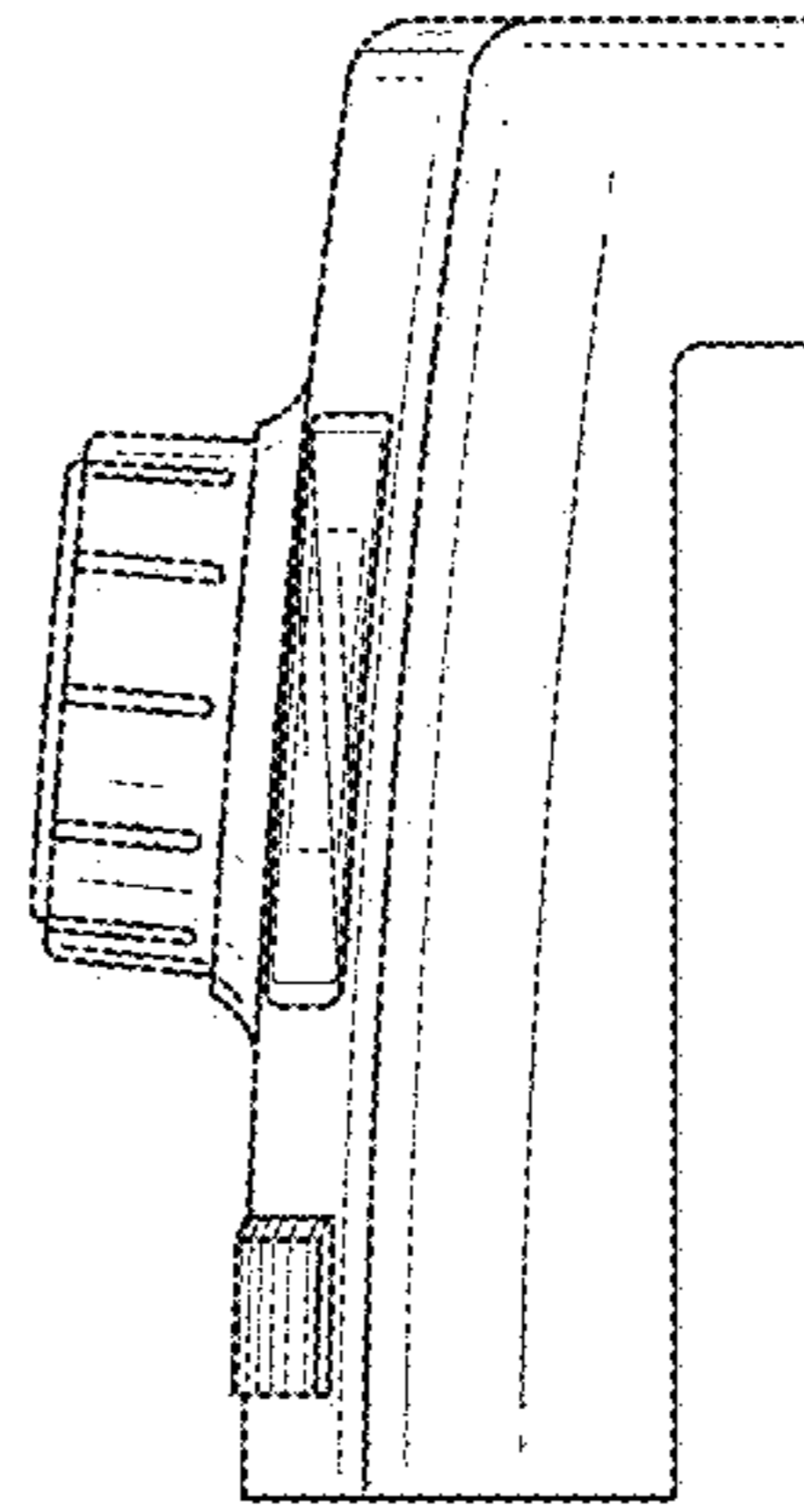


Fig. 7

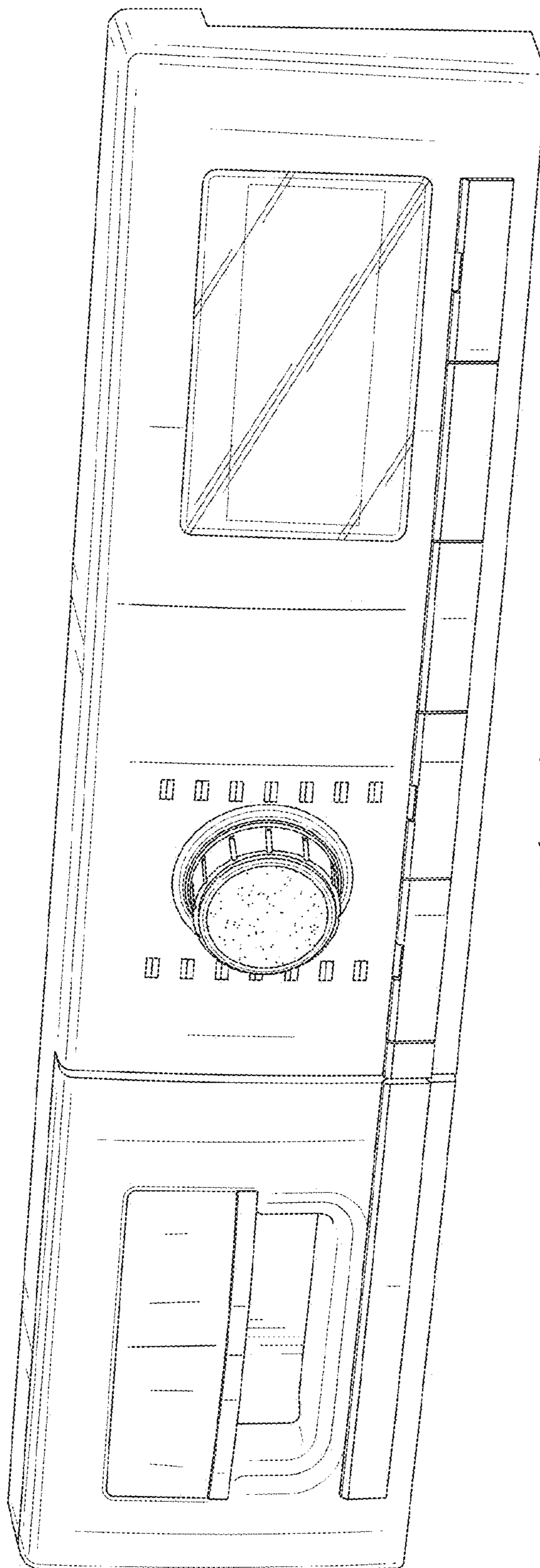


Fig. 8

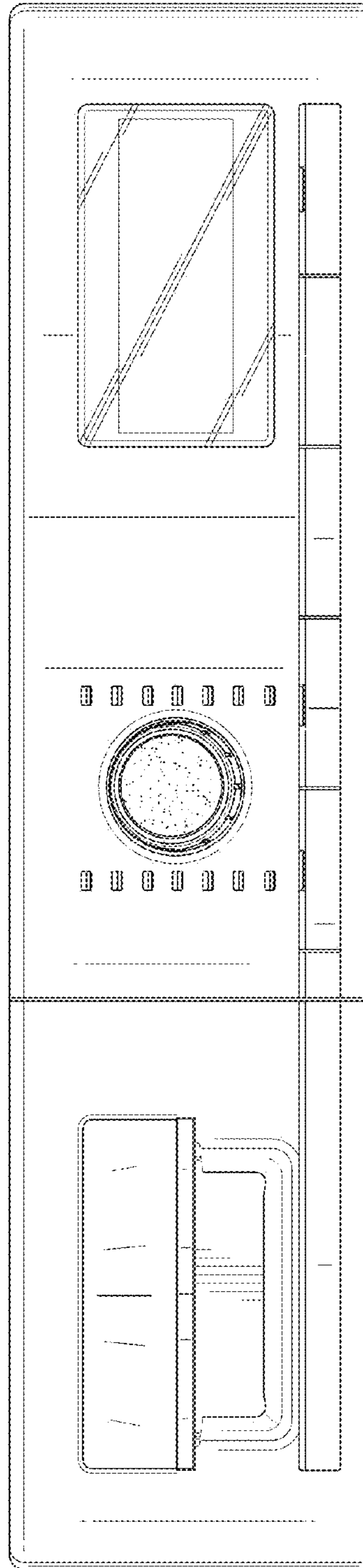


Fig. 9

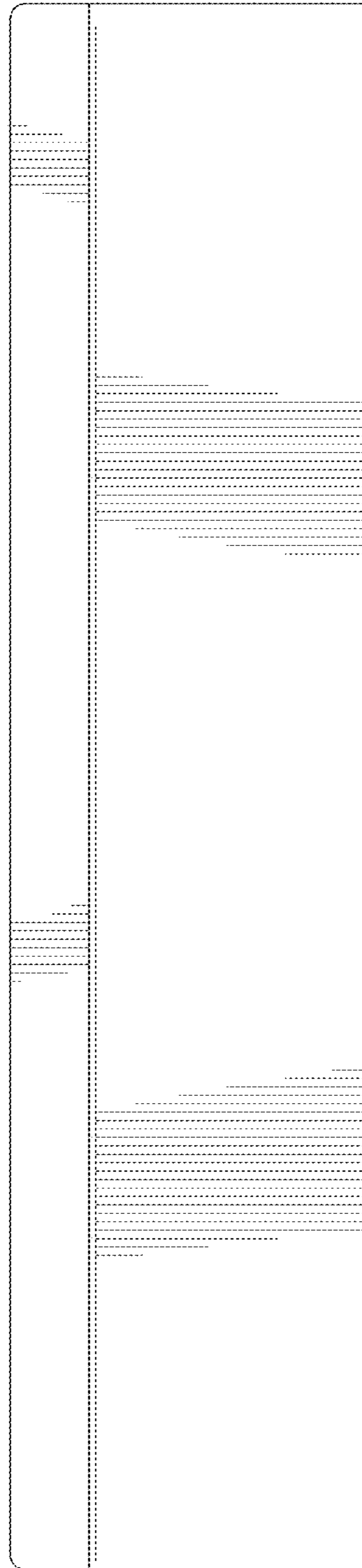


Fig. 10

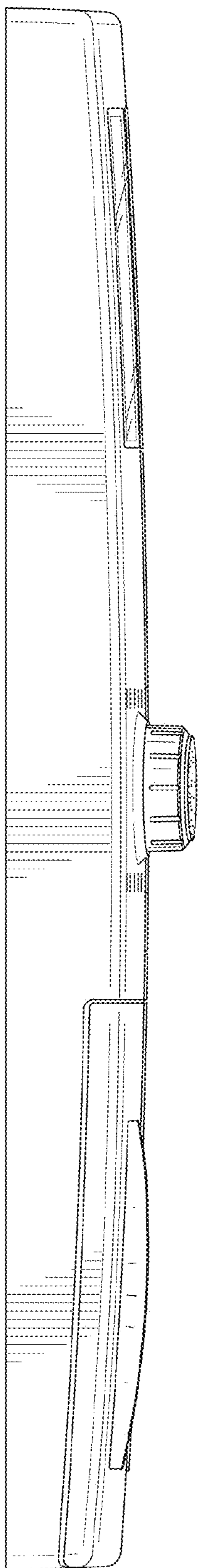


Fig. 11

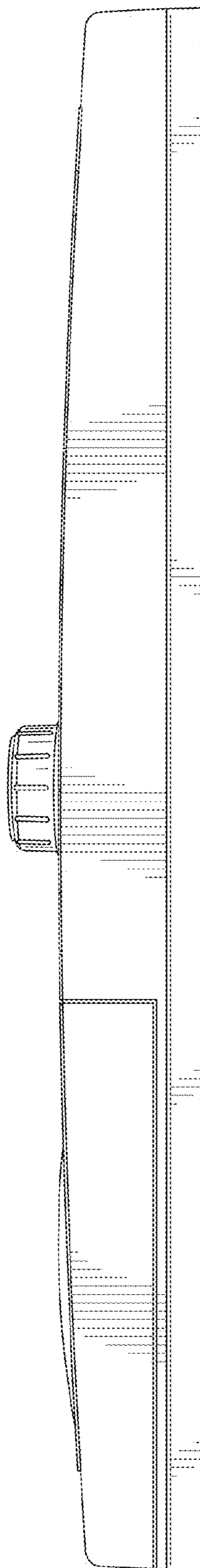


Fig. 12

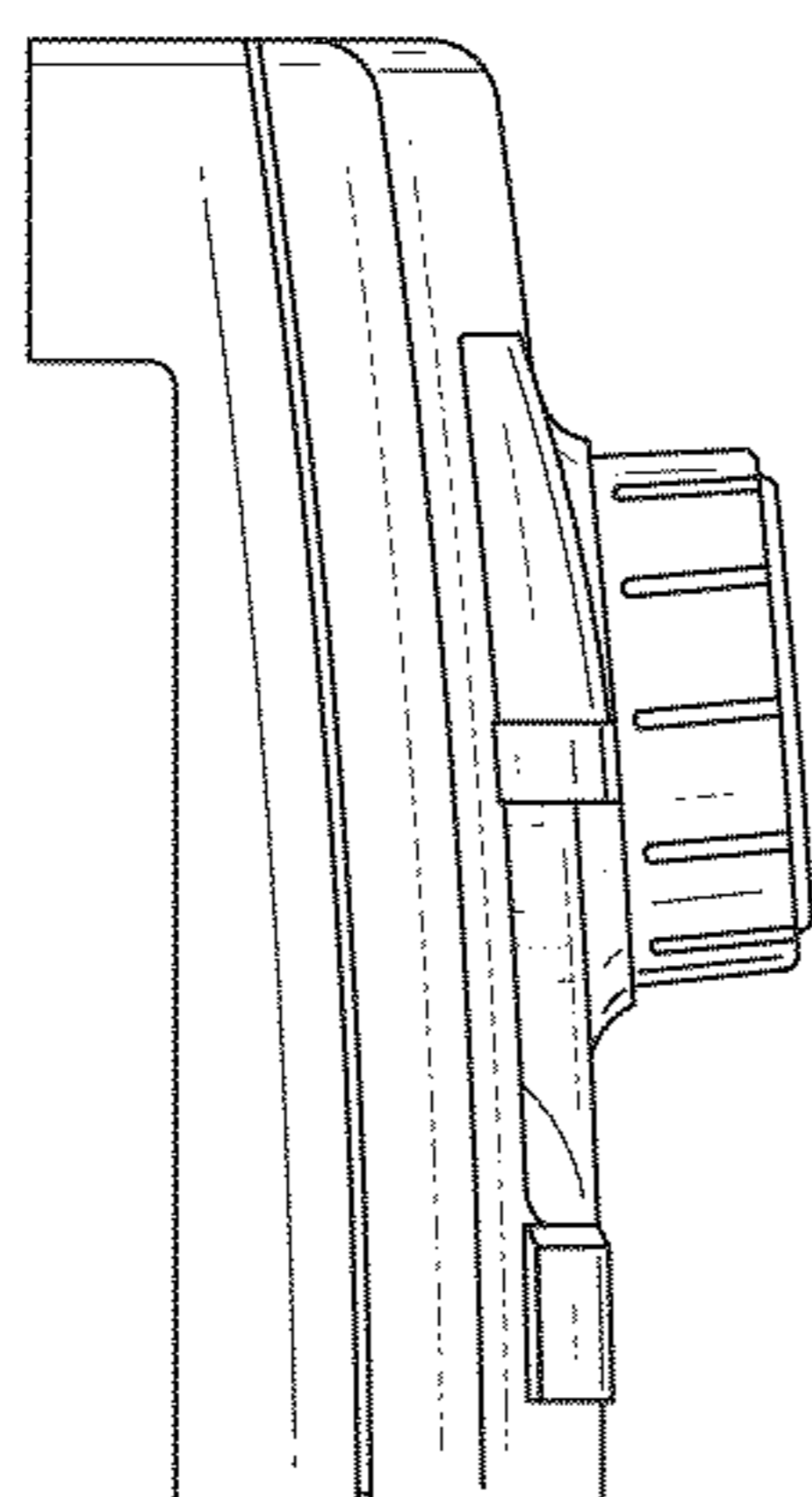


Fig. 13

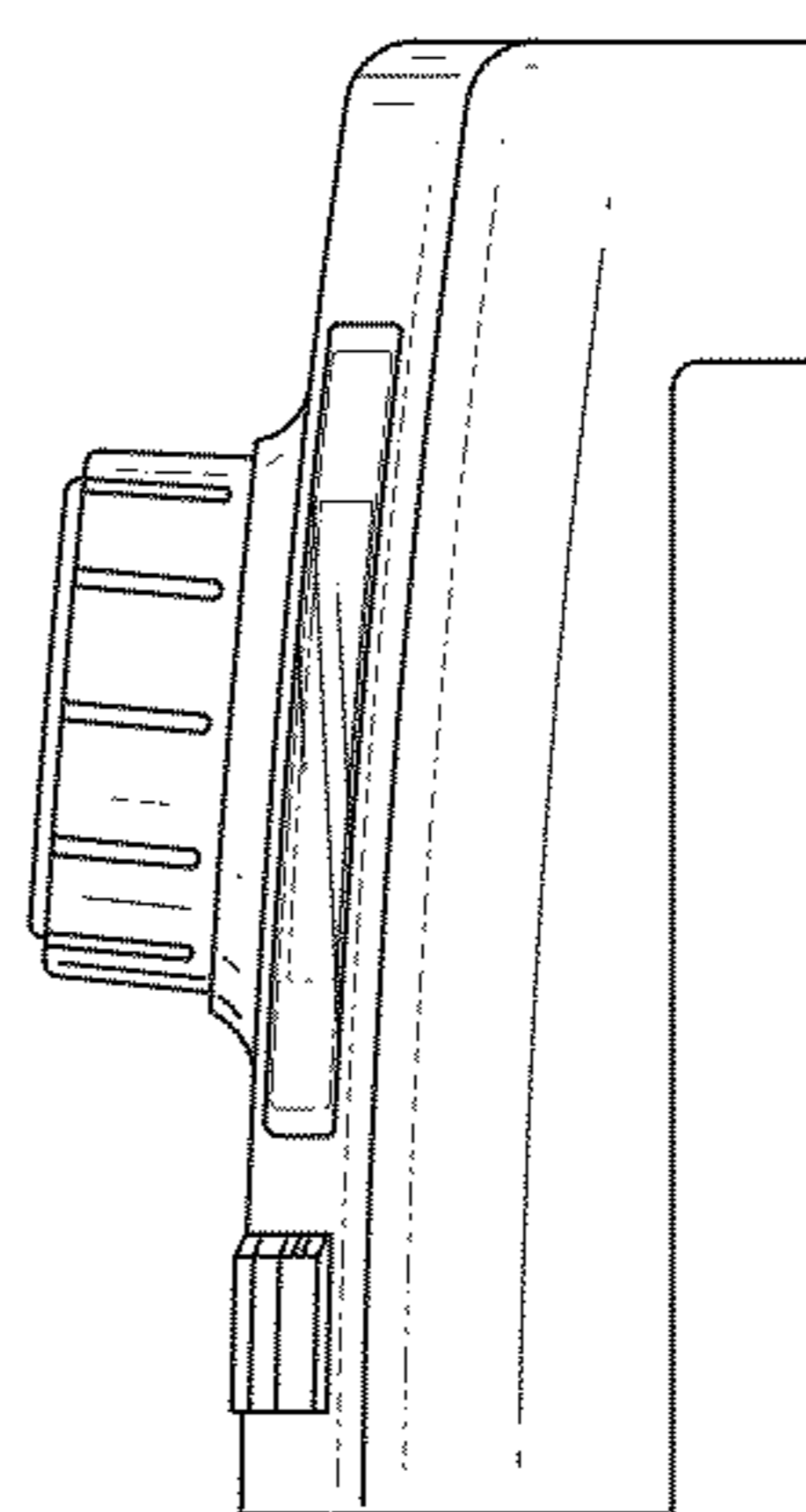


Fig. 14

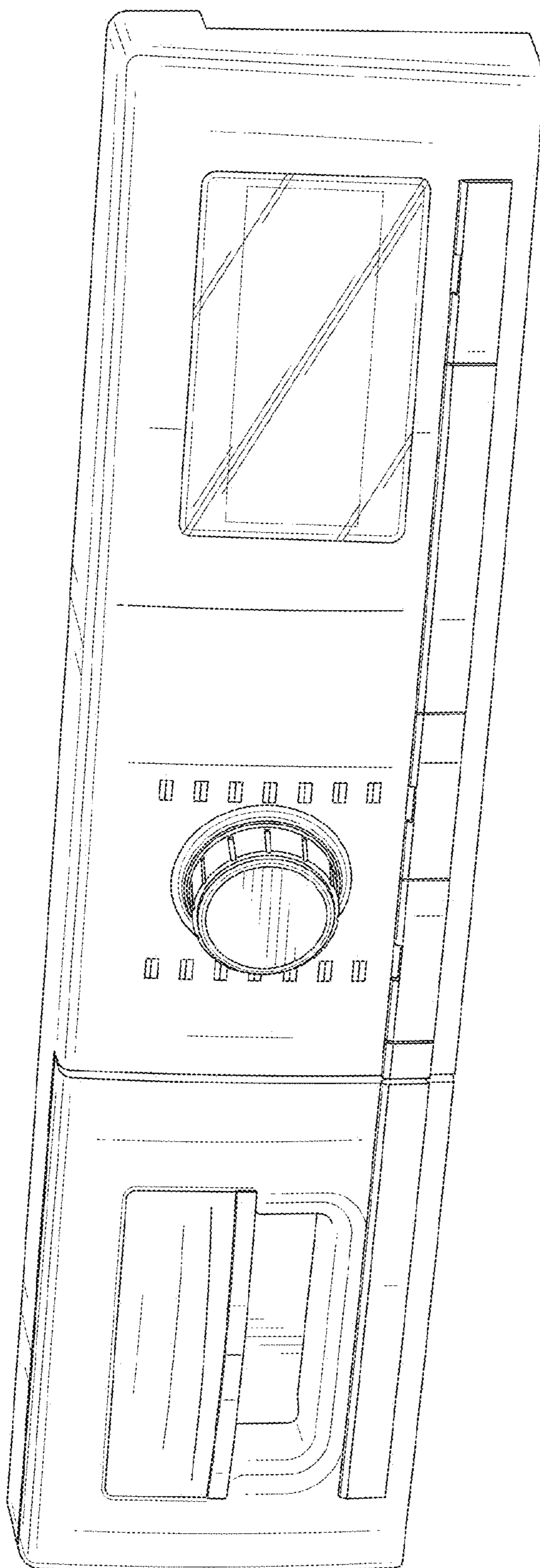


Fig. 15

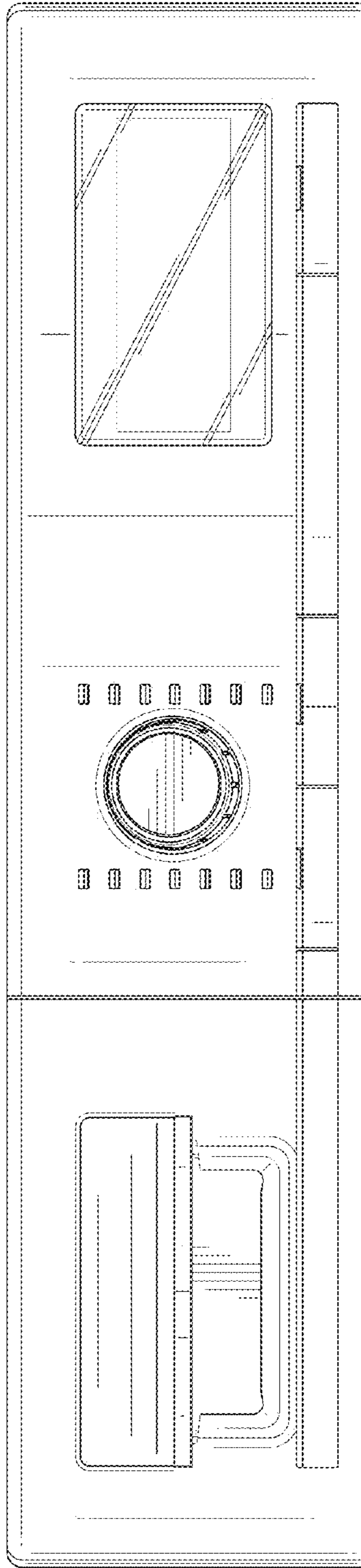


Fig. 16

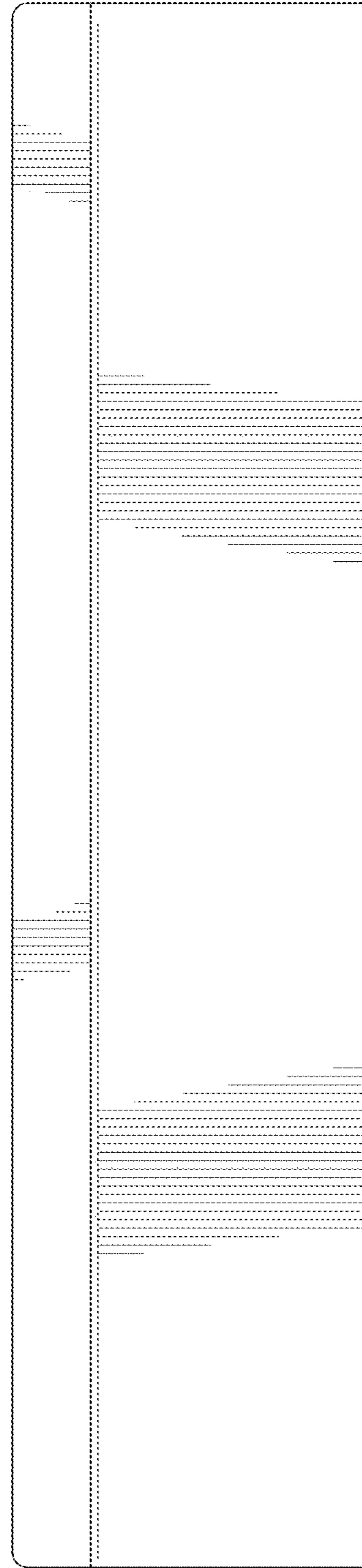


Fig. 17

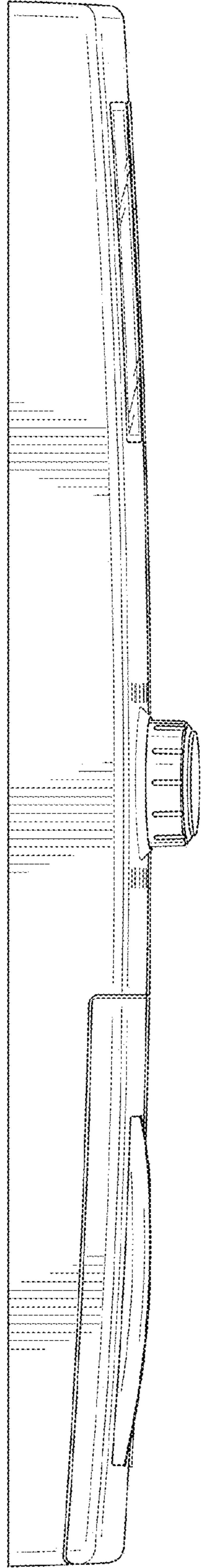


Fig. 18

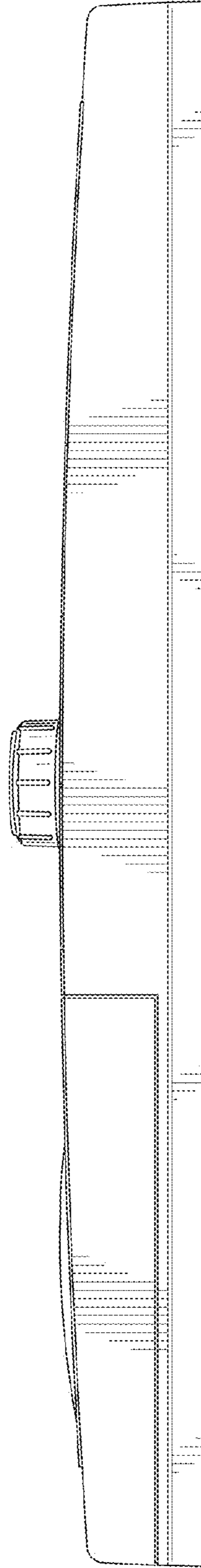


Fig. 19

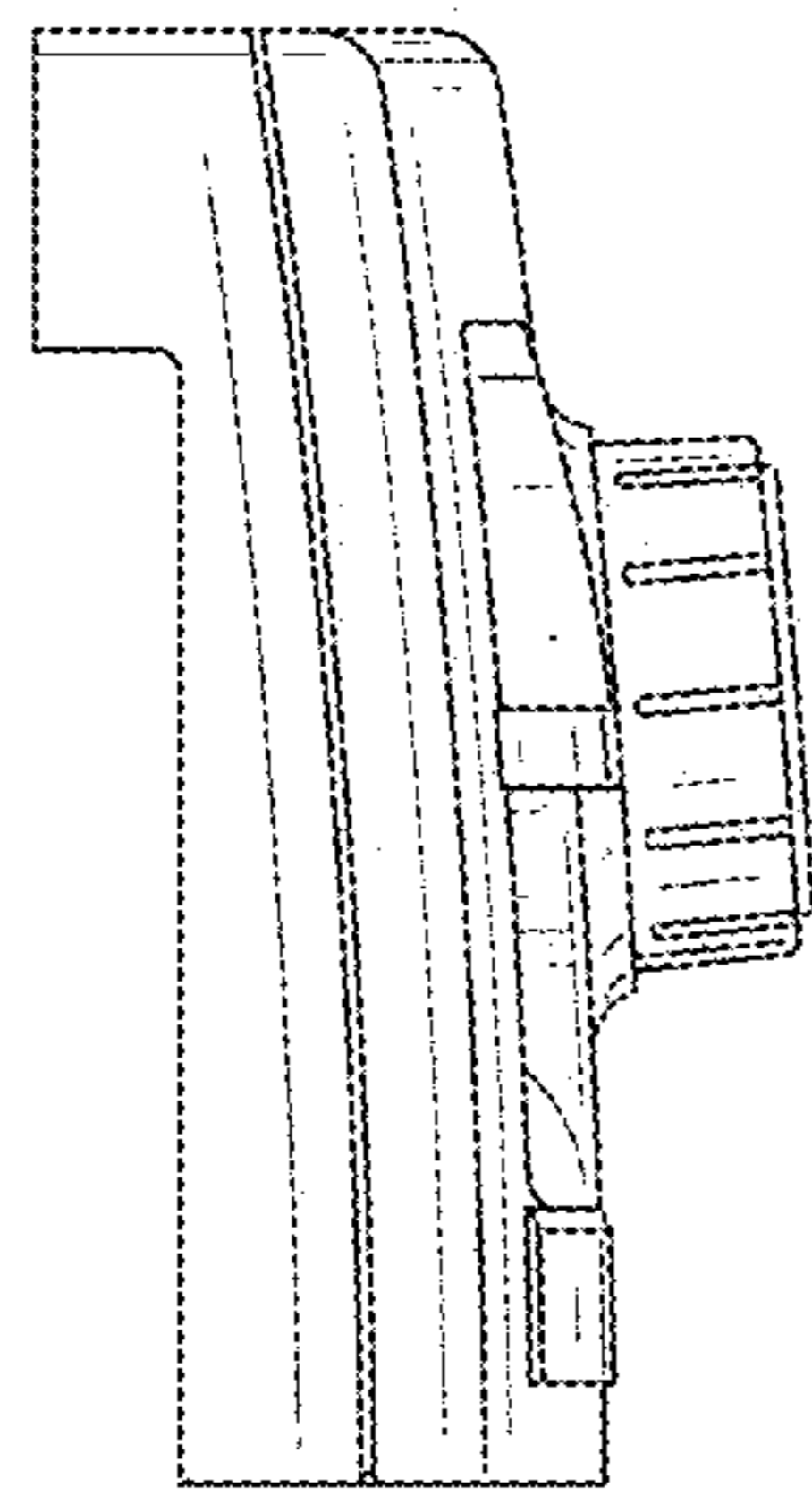


Fig. 20

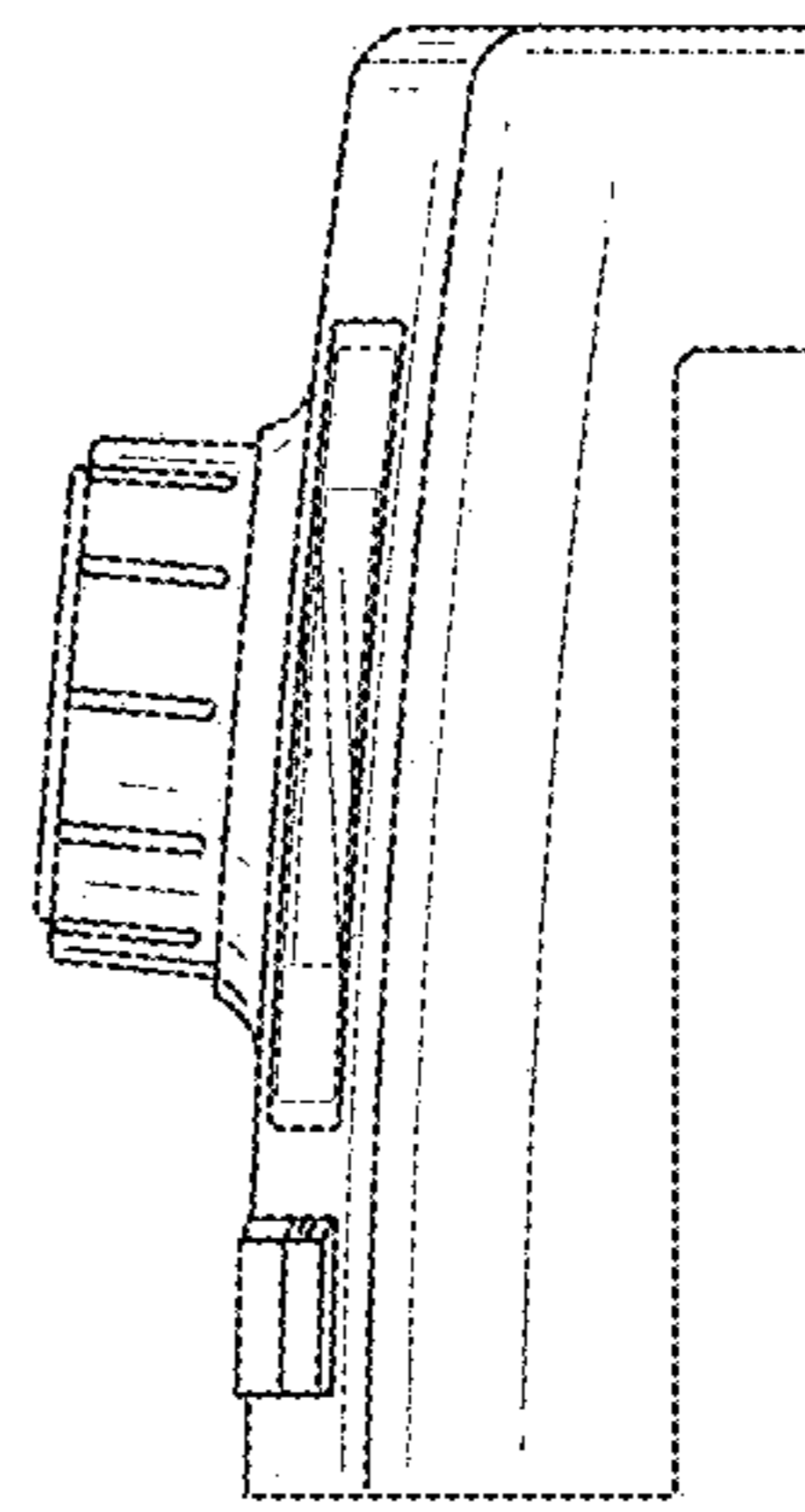


Fig. 21