



US00D684739S

(12) **United States Design Patent**
Arnold

(10) **Patent No.:** **US D684,739 S**
(45) **Date of Patent:** **** Jun. 18, 2013**

(54) **VENTED WAFFLE STYLE BUFFING PAD WITH STRAIGHT EDGE**

(75) Inventor: **Lewis Tracy Arnold**, Jefferson, MO (US)

(73) Assignee: **S.M. Arnold, Inc.**, St. Louis, MO (US)

(**) Term: **14 Years**

(21) Appl. No.: **29/421,523**

(22) Filed: **Aug. 8, 2012**

Related U.S. Application Data

(62) Division of application No. 29/370,836, filed on Sep. 10, 2010, now Pat. No. Des. 669,647.

(51) **LOC (9) Cl.** **15-05**

(52) **U.S. Cl.**
USPC **D32/25**

(58) **Field of Classification Search**
USPC D32/1, 4, 15-18, 25, 32-33, 40, D32/42; D4/102, 119-120, 136; D8/70, 90; D15/124, 126, 138; 15/209.1, 230, 230.12, 15/230.14, 230.16, 230.19, 244.1, 244.4; 451/527, 530, 60, 288, 359, 526, 533
See application file for complete search history.

4,969,226 A	11/1990	Seville	
D315,236 S *	3/1991	Kraselsky et al.	D32/40
5,007,128 A	4/1991	Englund et al.	
5,185,964 A	2/1993	England et al.	
5,396,737 A	3/1995	England et al.	
RE35,021 E	8/1995	England et al.	
D367,743 S	3/1996	Krause et al.	
5,527,215 A	6/1996	Rubino et al.	
5,685,042 A	11/1997	Demetriades	
5,846,123 A *	12/1998	Brown et al.	451/60
5,938,515 A	8/1999	McLain et al.	
5,947,807 A *	9/1999	Overseith	451/533
D420,183 S	2/2000	Tintelnot	
D421,166 S	2/2000	Tintelnot	
6,077,601 A *	6/2000	DeVoe et al.	428/323
D439,011 S *	3/2001	Linnette	D28/7
D444,483 S	7/2001	Sunagawa	
6,258,138 B1 *	7/2001	DeVoe et al.	51/298
6,378,157 B1	4/2002	Kosla et al.	
6,422,933 B1 *	7/2002	Tintelnot	451/526
6,523,215 B2 *	2/2003	Piombini	15/230.1
D473,685 S	4/2003	McLain et al.	

(Continued)

Primary Examiner — T. Chase Nelson
Assistant Examiner — Kathleen M Sims
(74) *Attorney, Agent, or Firm* — Paul M. Denk

(57) **CLAIM**
The ornamental design for the vented waffle style buffing pad with straight edge, as shown and described.

(56) **References Cited**

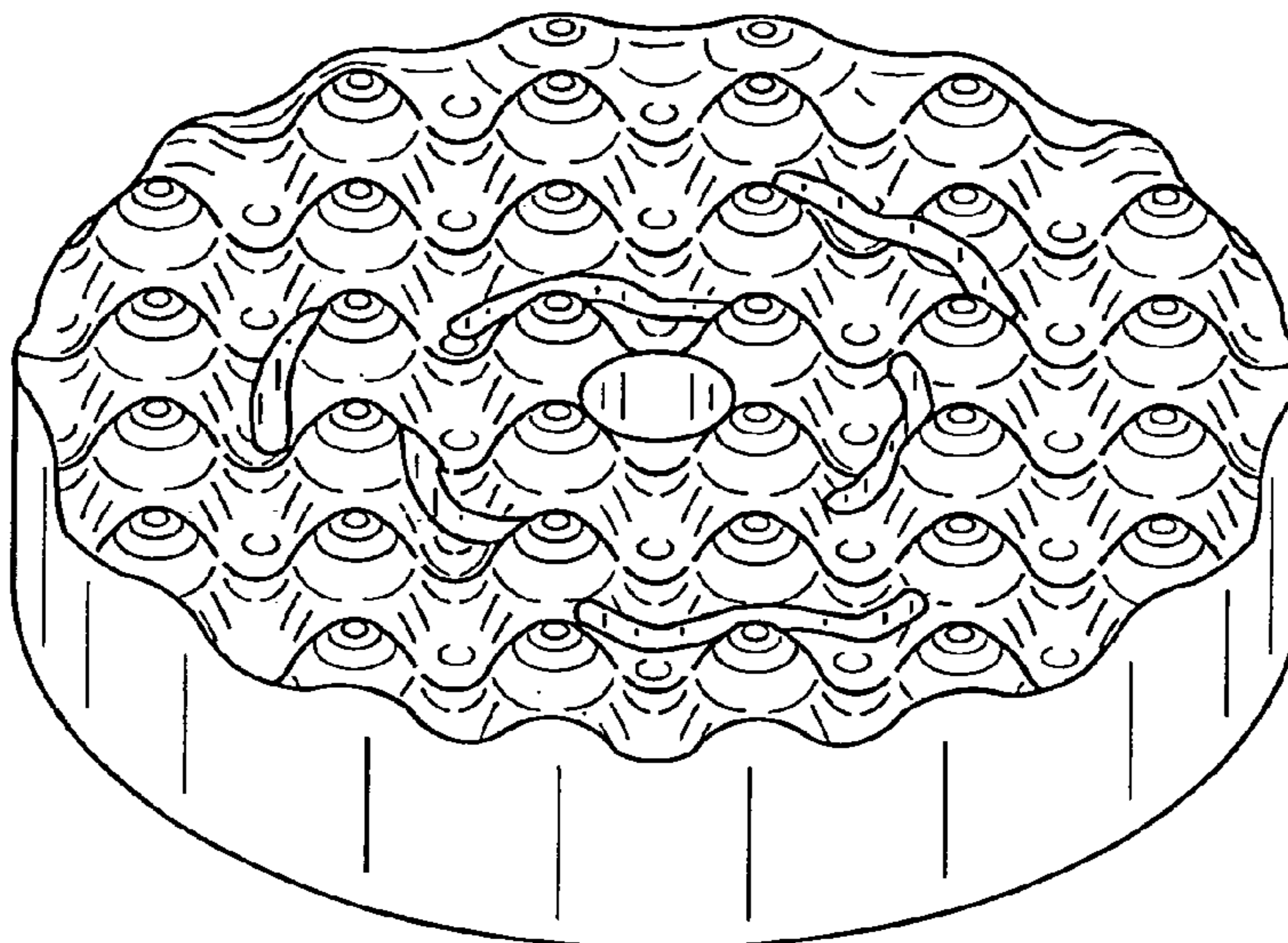
U.S. PATENT DOCUMENTS

1,953,983 A	4/1934	Benner
3,171,820 A	3/1965	Volz
3,346,904 A	10/1967	Armstrong
3,418,675 A	12/1968	Meguiar et al.
3,537,121 A	11/1970	McAvoy
4,149,294 A	4/1979	MacKay et al.
4,182,616 A	1/1980	Gadbois et al.
4,609,581 A	9/1986	Ott
4,962,562 A	10/1990	Englund et al.

DESCRIPTION

FIG. 1 is an isometric view of the vented waffle style buffing pad with straight edge of this invention;
FIG. 2 is an isometric view of the bottom of the invention;
FIG. 3 is a side view; all other side views are a mirror image thereof;
FIG. 4 is a top plan view; and,
FIG. 5 is a bottom view.

1 Claim, 2 Drawing Sheets



US D684,739 S

Page 2

U.S. PATENT DOCUMENTS

6,758,734	B2 *	7/2004	Braunschweig et al.	451/528	D559,069	S	1/2008	Umbrell	
6,807,705	B2 *	10/2004	Piombini	15/230.1	D568,134	S	5/2008	Umbrell	
D502,378	S *	3/2005	Kang et al.	D8/70	D580,728	S	11/2008	Umbrell	
D519,530	S *	4/2006	Thysell et al.	D15/126	D581,236	S	11/2008	Umbrell	
D553,932	S	10/2007	Boler, Jr.		D595,749	S	7/2009	Kusuyama et al.	
D559,068	S	1/2008	Umbrell		7,618,306	B2 *	11/2009	Felipe et al.	451/28

* cited by examiner

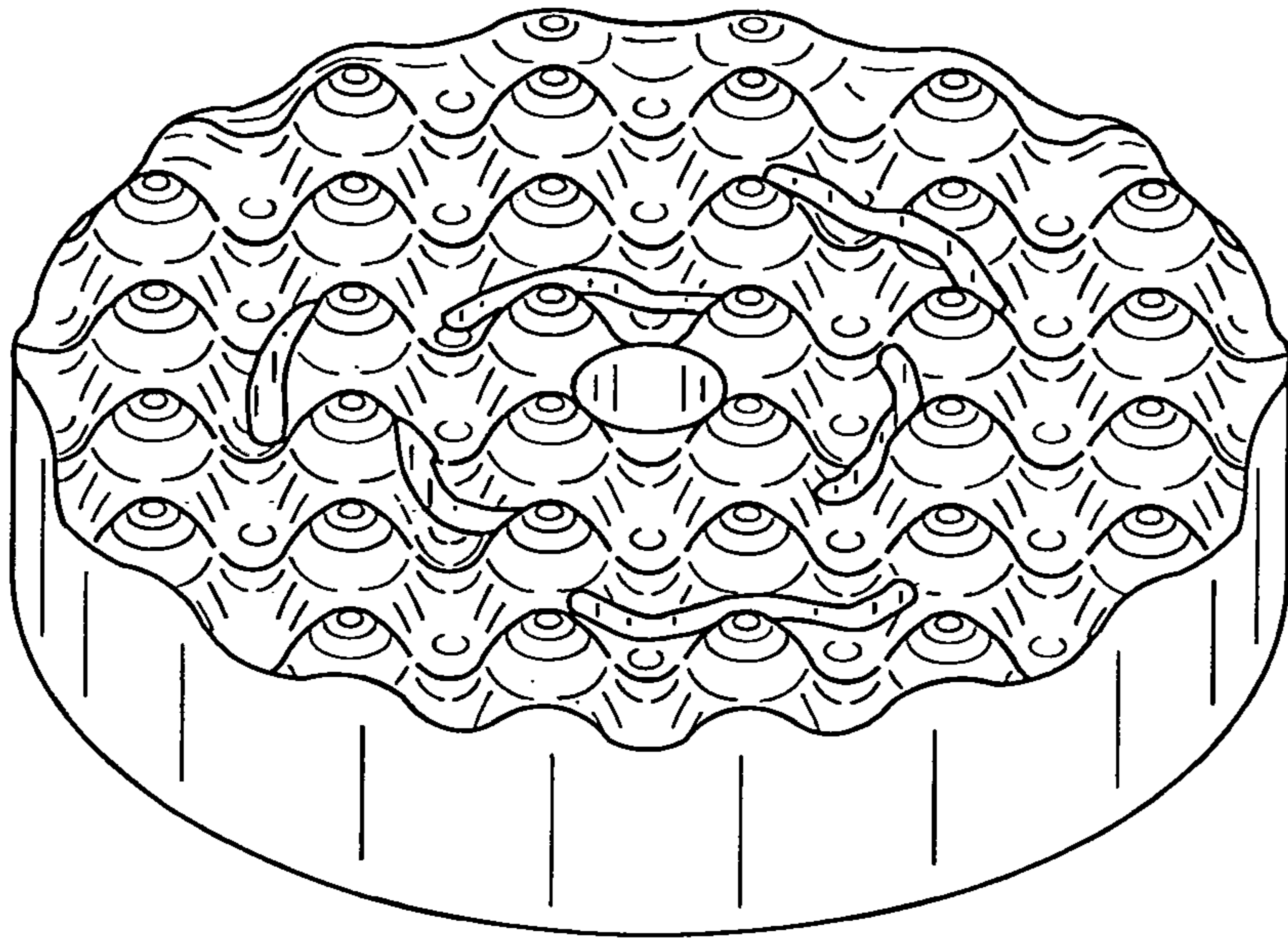


FIG. 1

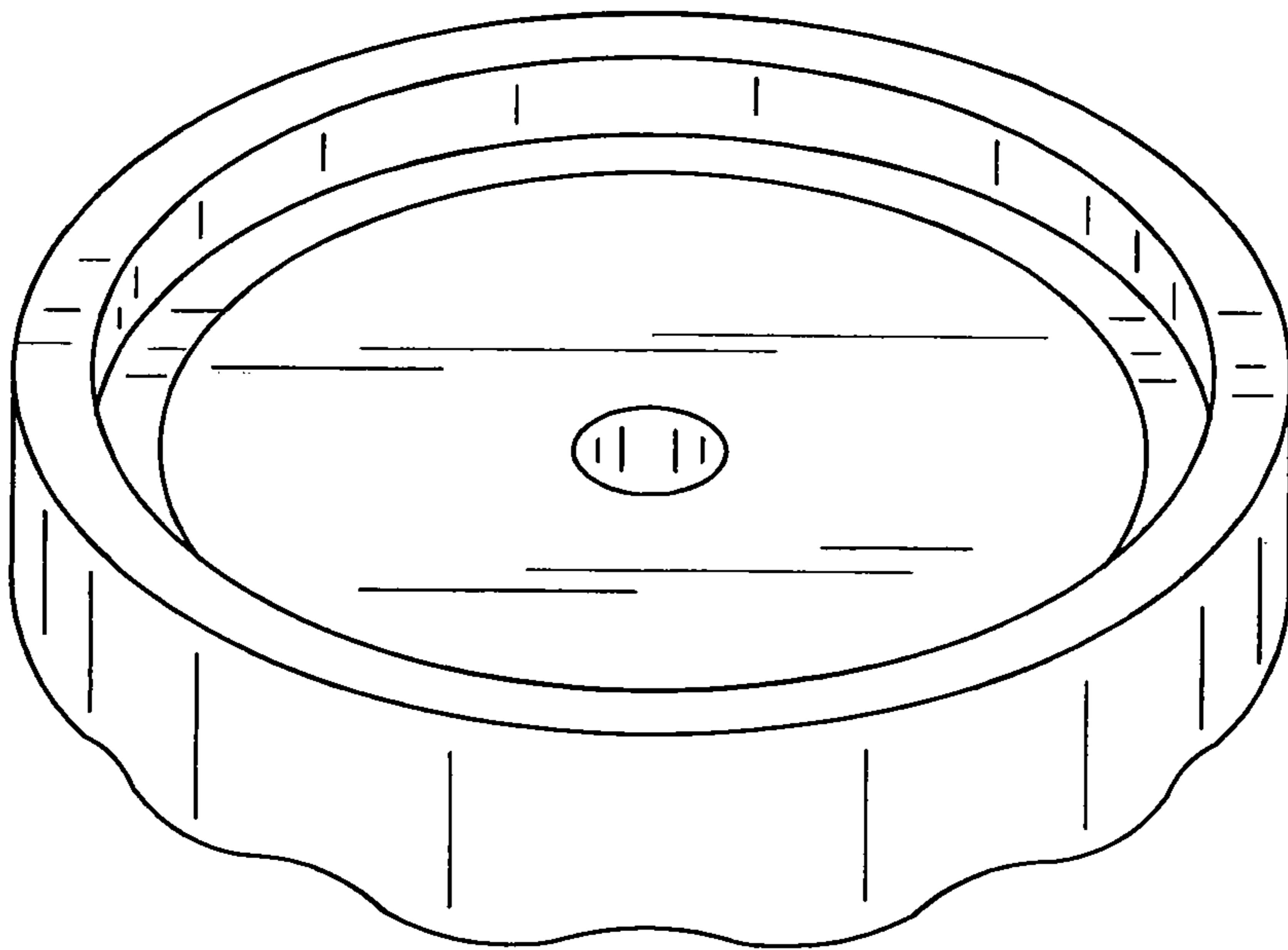


FIG. 2

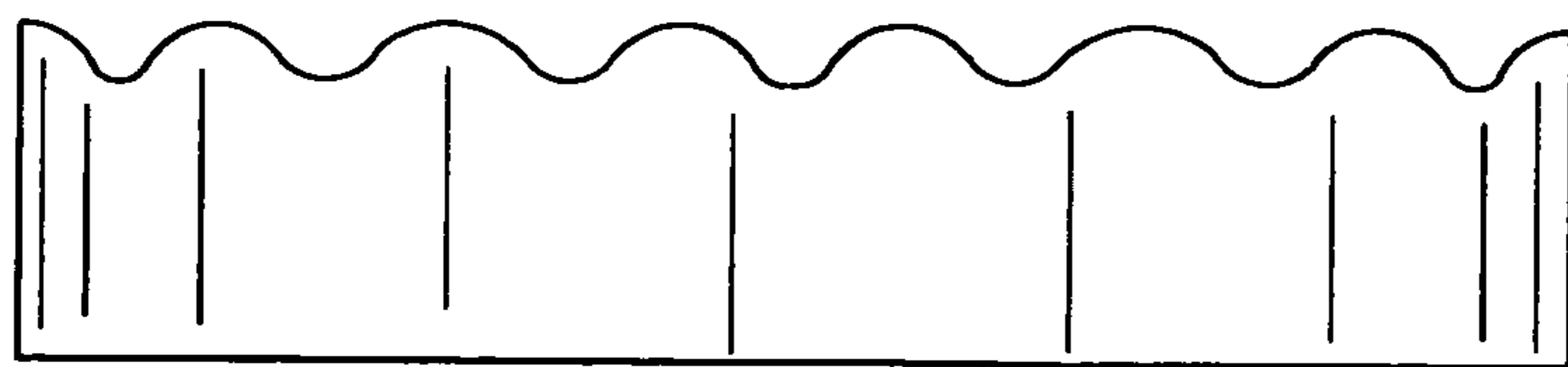


FIG. 3

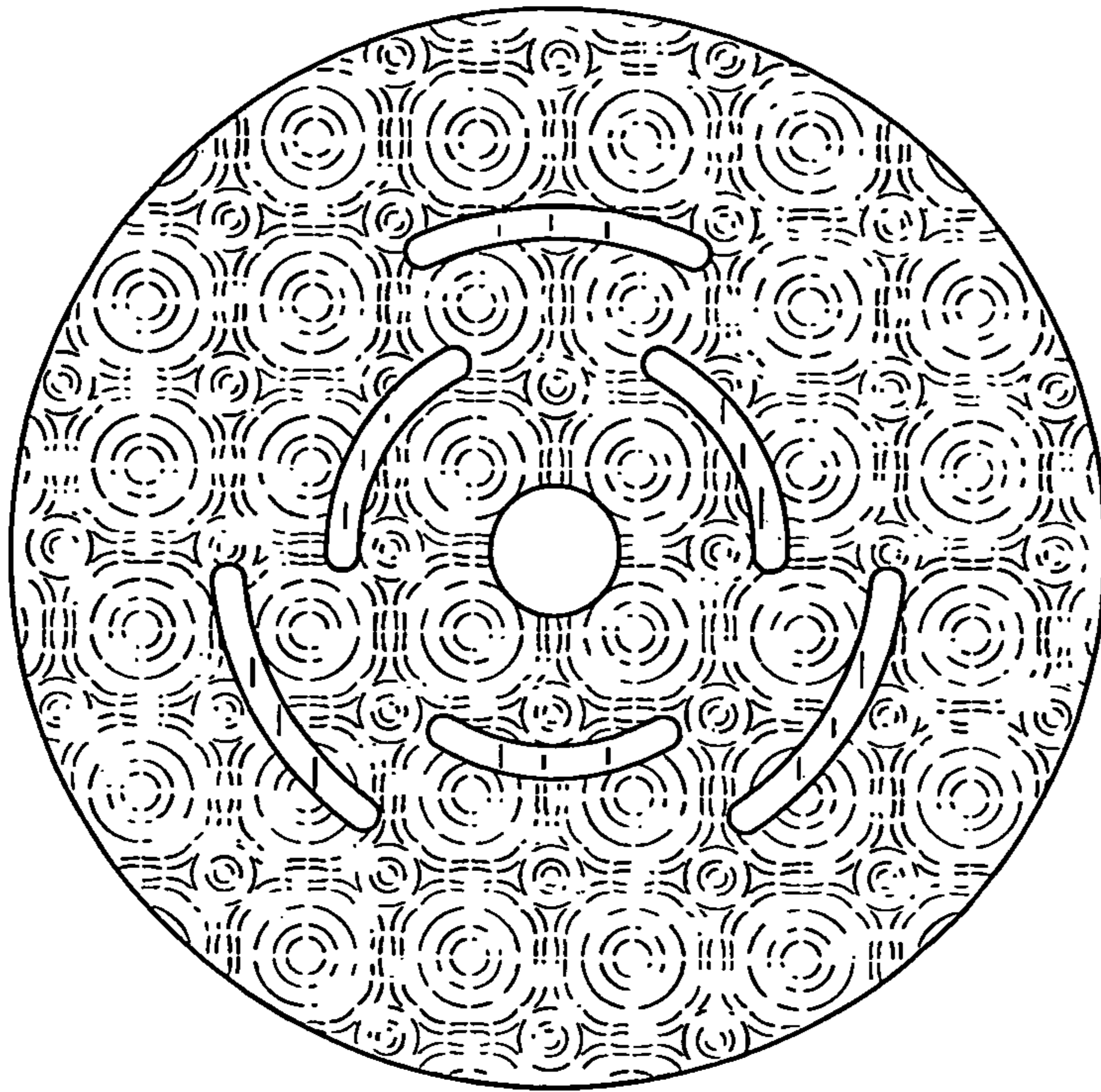


FIG. 4

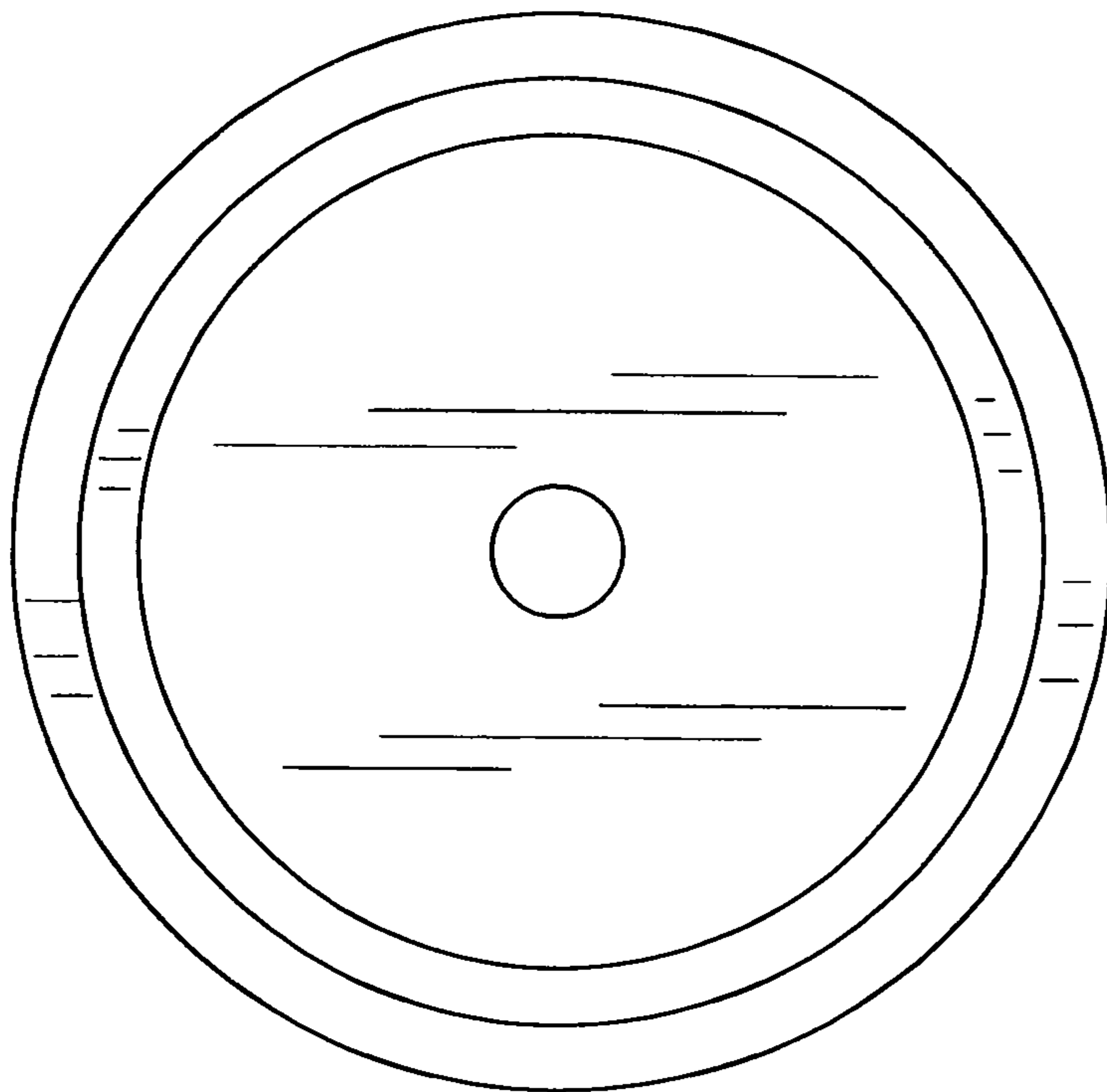


FIG. 5