



US00D684738S

(12) **United States Design Patent**  
**Richiuso et al.**

(10) **Patent No.:** **US D684,738 S**  
(45) **Date of Patent:** **\*\* Jun. 18, 2013**

(54) **POOL CLEANER**

(75) Inventors: **Leonard Richiuso**, Raleigh, NC (US);  
**Suresh Gopalan**, Cary, NC (US)

(73) Assignee: **Pentair Water Pool and Spa, Inc.**,  
Sanford, NC (US)

(\*\*) Term: **14 Years**

(21) Appl. No.: **29/403,243**

(22) Filed: **Oct. 3, 2011**

(51) **LOC (9) Cl.** ..... **15-05**

(52) **U.S. Cl.**  
USPC ..... **D32/21**

(58) **Field of Classification Search**  
USPC ..... D32/17-18, 21, 23-24, 31-34;  
15/327.1-327.7, 320-321, 323, 353, 344,  
15/329, 347, 246.2, 246.4, 301, 310, 313,  
15/414, 328, 415.1-422.1; 210/167.16, 167.17;  
285/7; 55/DIG. 3, 337, 345, 459.1, 429  
See application file for complete search history.

(56) **References Cited**

U.S. PATENT DOCUMENTS

4,558,479	A *	12/1985	Greskovics et al.	15/1.7
4,589,986	A	5/1986	Greskovics et al.	
5,001,800	A *	3/1991	Parenti et al.	15/1.7
5,095,571	A *	3/1992	Sargent	15/1.7
D384,782	S *	10/1997	Gefter	D32/21
5,863,425	A	1/1999	Herlehy et al.	
D409,341	S	5/1999	Van Etten et al.	
5,933,899	A *	8/1999	Campbell et al.	15/1.7
5,970,557	A *	10/1999	Supra	15/1.7
D418,640	S	1/2000	Veloskey et al.	
D468,067	S	12/2002	Stoltz et al.	
D469,589	S	1/2003	Wichmann et al.	
D471,330	S *	3/2003	Campbell	D32/21
D481,181	S	10/2003	Lath et al.	
6,665,900	B2 *	12/2003	Wichmann et al.	15/1.7

D485,652	S *	1/2004	Erlich	D32/18
6,836,929	B2 *	1/2005	Kim	15/323
6,854,148	B1 *	2/2005	Rief et al.	15/1.7
D518,253	S *	3/2006	Erlich et al.	D32/18
D522,191	S *	5/2006	Erlich	D32/18
7,060,182	B2 *	6/2006	Erlich et al.	210/167.16
7,273,546	B2 *	9/2007	Meritt-Powell	210/167.17
D581,611	S	11/2008	van der Meijden et al.	
D582,112	S	12/2008	van der Meijden et al.	

(Continued)

FOREIGN PATENT DOCUMENTS

AU 732645 1/1999

OTHER PUBLICATIONS

Zodiac Pool Systems, Inc.; Polaris 3900 Owner's Manual; pp. 1-12; 2008; Vista, CA 92081-8438.

*Primary Examiner* — Ruth McInroy

(74) *Attorney, Agent, or Firm* — Quarles & Brady LLP

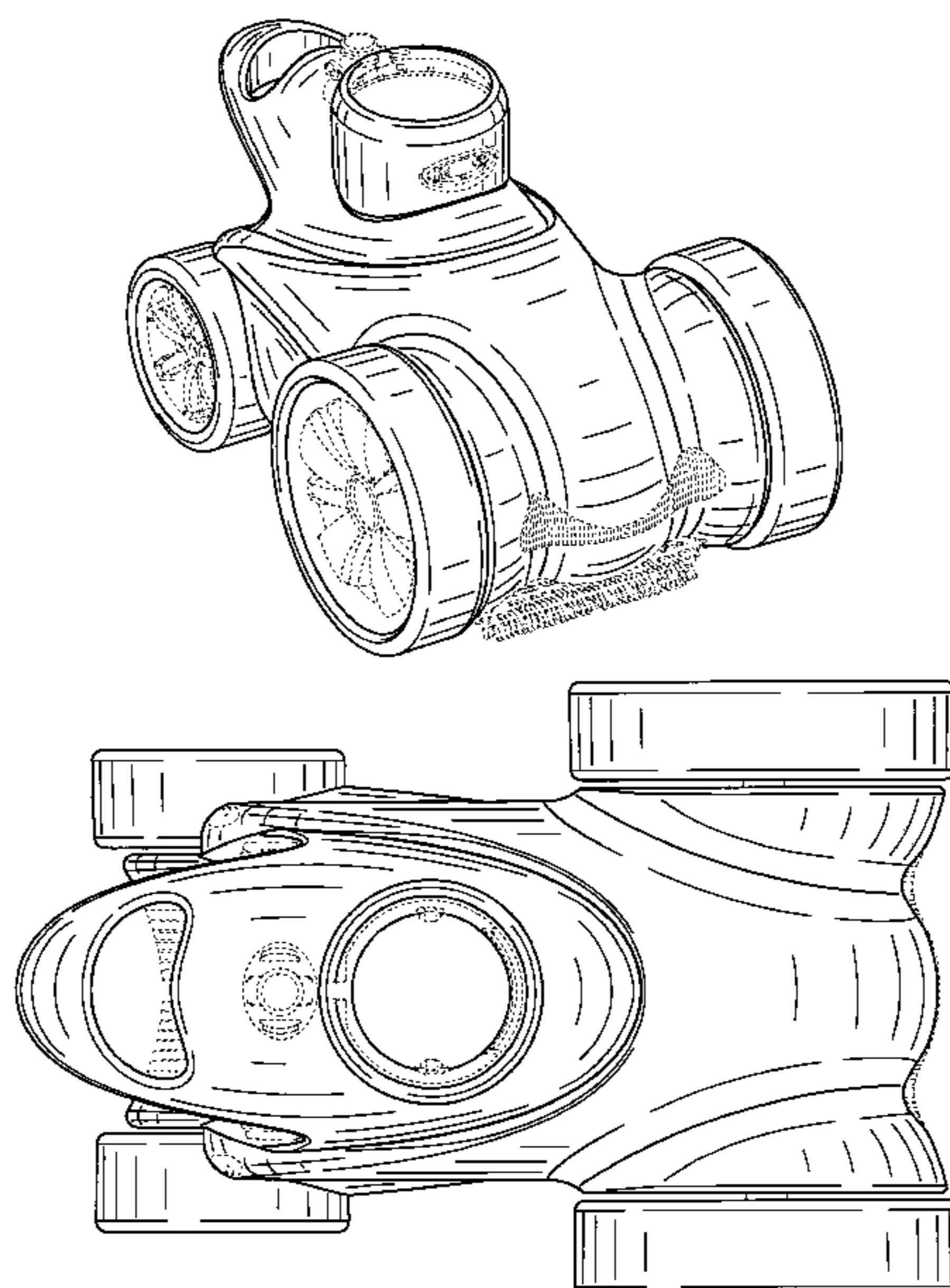
(57) **CLAIM**

The ornamental design for a pool cleaner, as shown and described.

**DESCRIPTION**

FIG. 1 is a rear perspective view of our new pool cleaner; FIG. 2 is a front perspective view thereof; FIG. 3 is a bottom perspective view thereof; FIG. 4 is a top view thereof; FIG. 5 is a right side view, with the left side being a mirror image thereof; FIG. 6 is a front view thereof; FIG. 7 is a rear view thereof; and, FIG. 8 is a bottom view thereof. The broken line portion of the figure drawings is included to show unclaimed subject matter only and forms no part of the claimed design.

**1 Claim, 8 Drawing Sheets**



# US D684,738 S

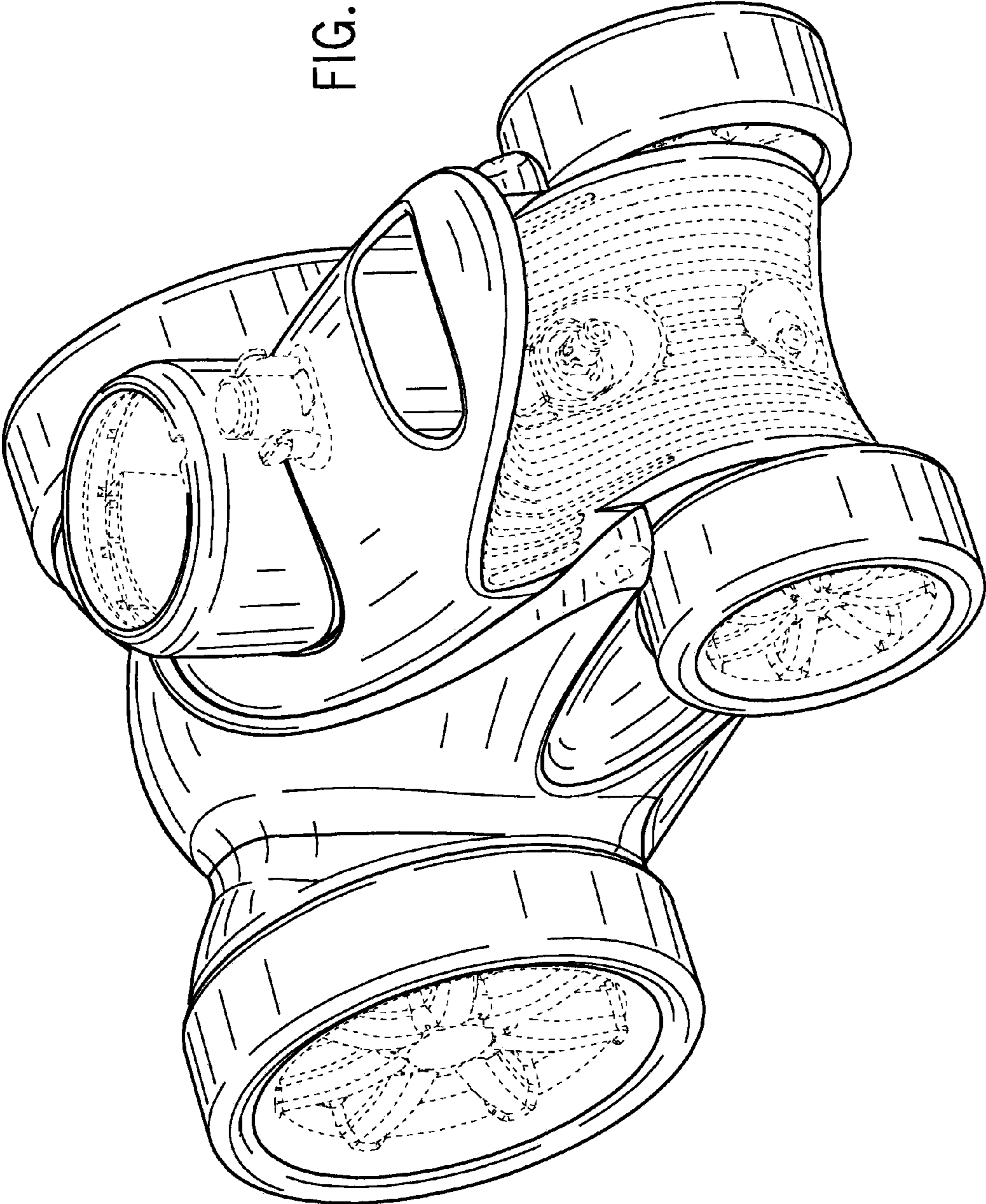
Page 2

---

U.S. PATENT DOCUMENTS			
D582,617	S	12/2008	van der Meijden et al.
D584,209	S	1/2009	Klimas
7,520,015	B1 *	4/2009	Ajello ..... 15/1.7
D594,610	S *	6/2009	Klimas ..... D32/21
D598,168	S *	8/2009	Sumonthee ..... D32/21
D599,967	S	9/2009	Blanc-Tailleur
7,636,975	B2 *	12/2009	Mah et al. .... 15/1.7
7,690,066	B2	4/2010	Stoltz et al.
7,721,370	B2 *	5/2010	Gopalan ..... 15/1.7
7,867,389	B2 *	1/2011	Hui ..... 210/167.16
8,117,704	B2 *	2/2012	Schneider et al. .... 15/1.7
8,141,191	B2 *	3/2012	Hui ..... 15/1.7
2003/0182742	A1 *	10/2003	Wichmann et al. .... 15/1.7
2003/0205513	A1 *	11/2003	Stoltz et al. .... 210/169
2004/0089593	A1 *	5/2004	Campbell ..... 210/169
2005/0035039	A1 *	2/2005	Erlich ..... 210/169
2005/0236310	A1 *	10/2005	Meritt-Powell ..... 210/169
2005/0247613	A1 *	11/2005	Bishop et al. .... 210/169
2006/0265820	A1 *	11/2006	Erlich et al. .... 15/1.7
2007/0289075	A1 *	12/2007	Gopalan ..... 15/1.7
2008/0109972	A1 *	5/2008	Mah et al. .... 15/1.7
2009/0229061	A1 *	9/2009	Stoltz et al. .... 15/1.7
2009/0300862	A1 *	12/2009	Schneider et al. .... 15/1.7
2009/0307854	A1 *	12/2009	Garti ..... 15/1.7
2011/0088181	A1 *	4/2011	Rief et al. .... 15/1.7
2012/0074050	A1 *	3/2012	Rief et al. .... 210/167.16

\* cited by examiner

FIG. 1



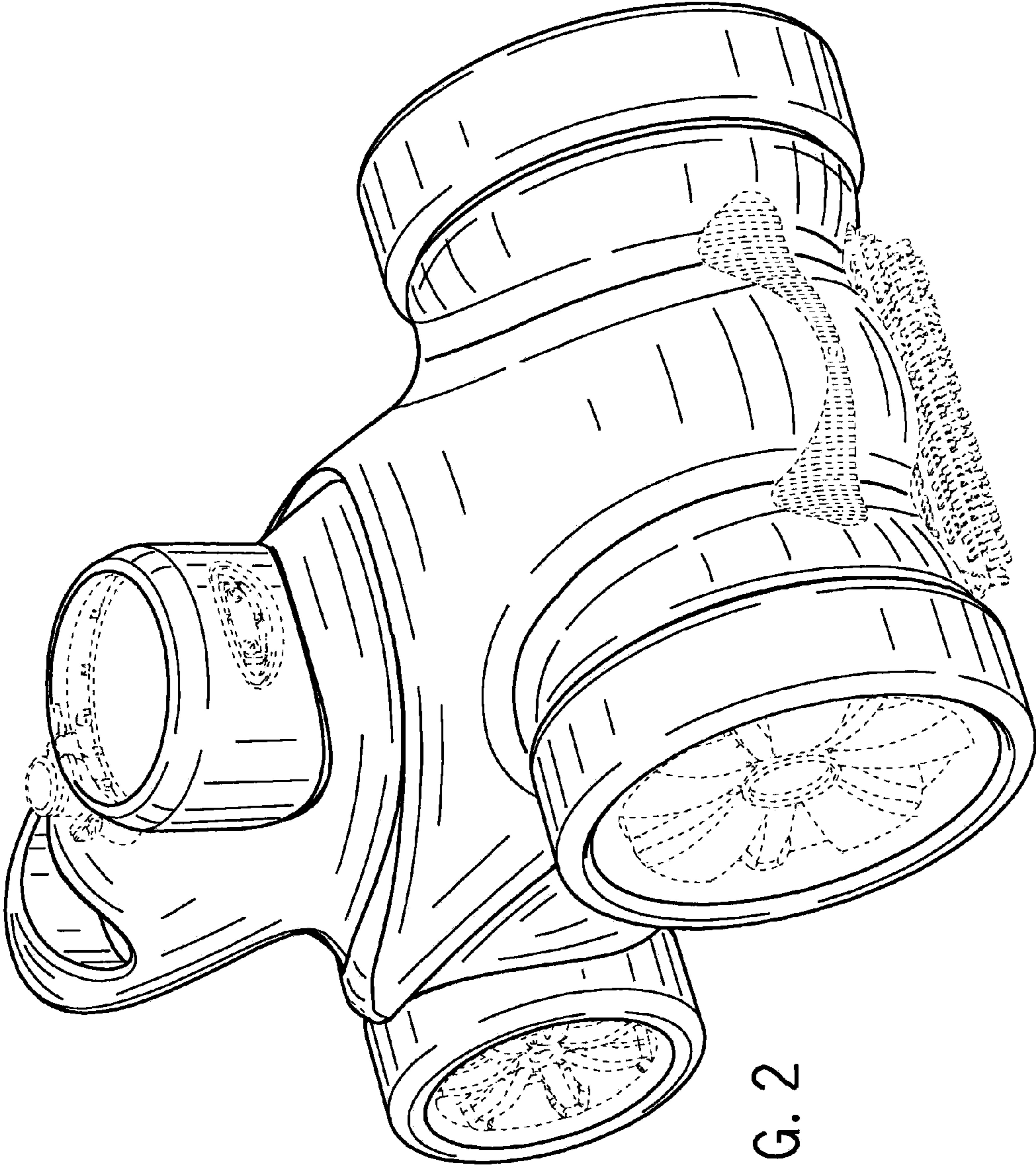


FIG. 2

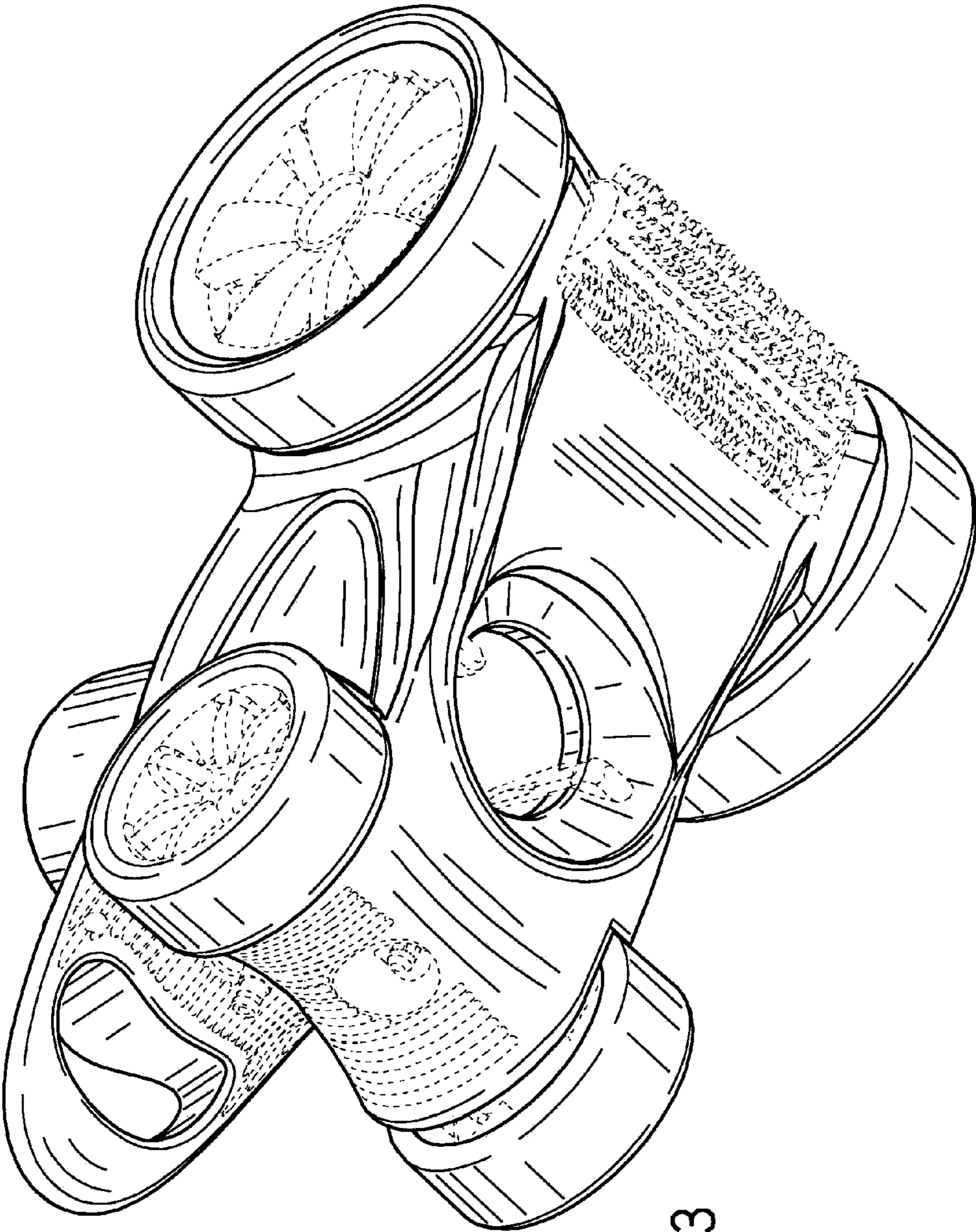


FIG. 3

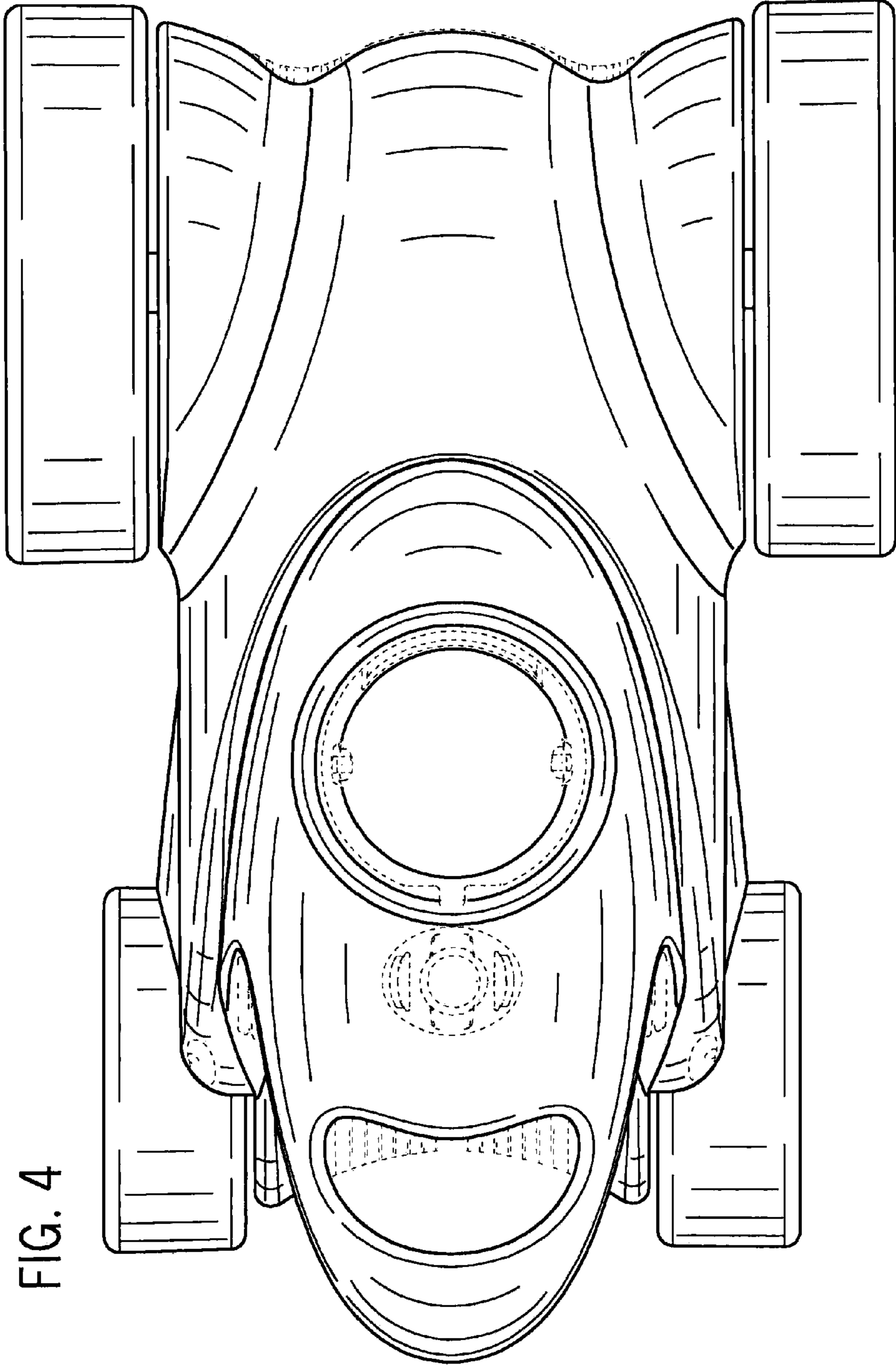


FIG. 4

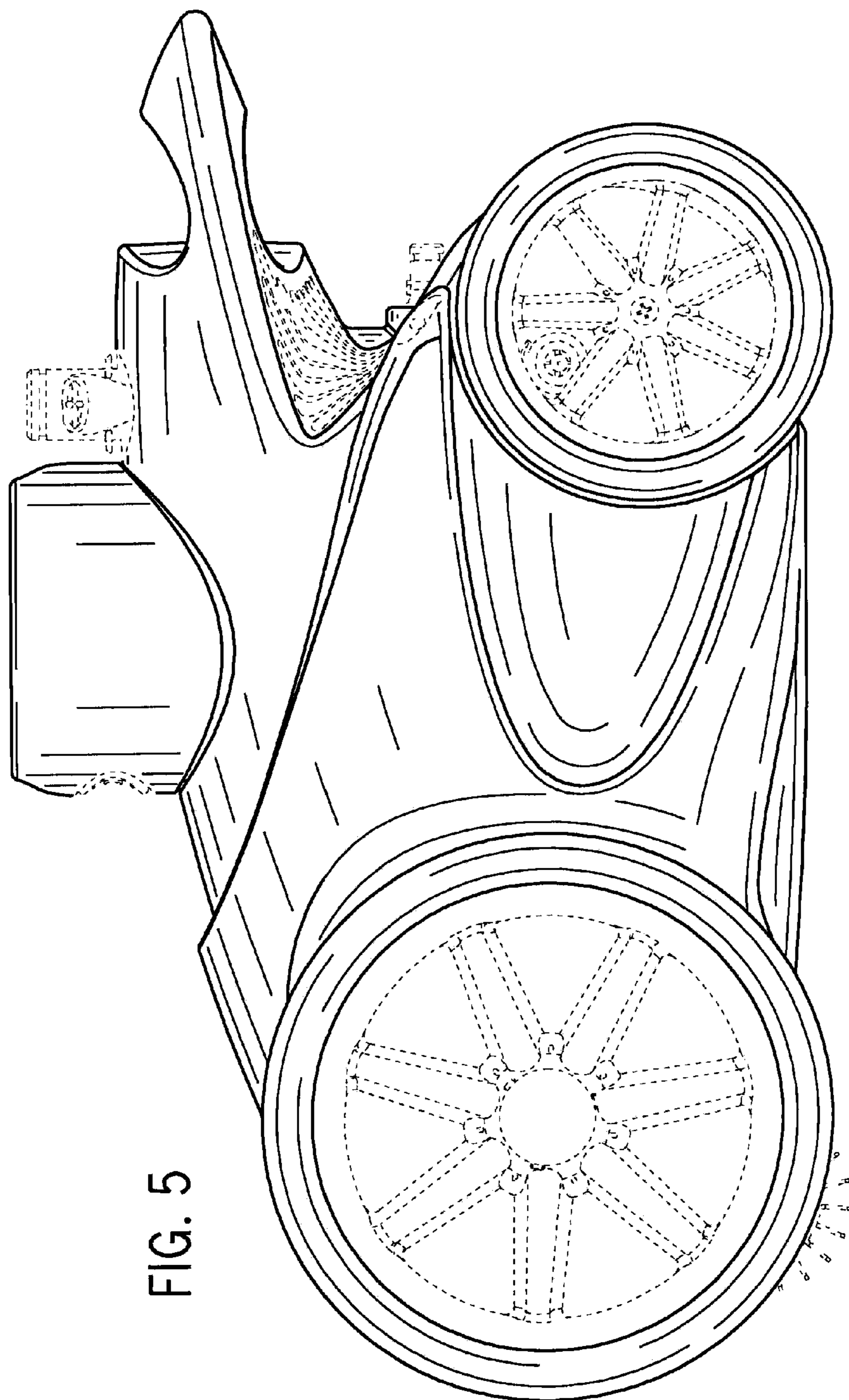


FIG. 5

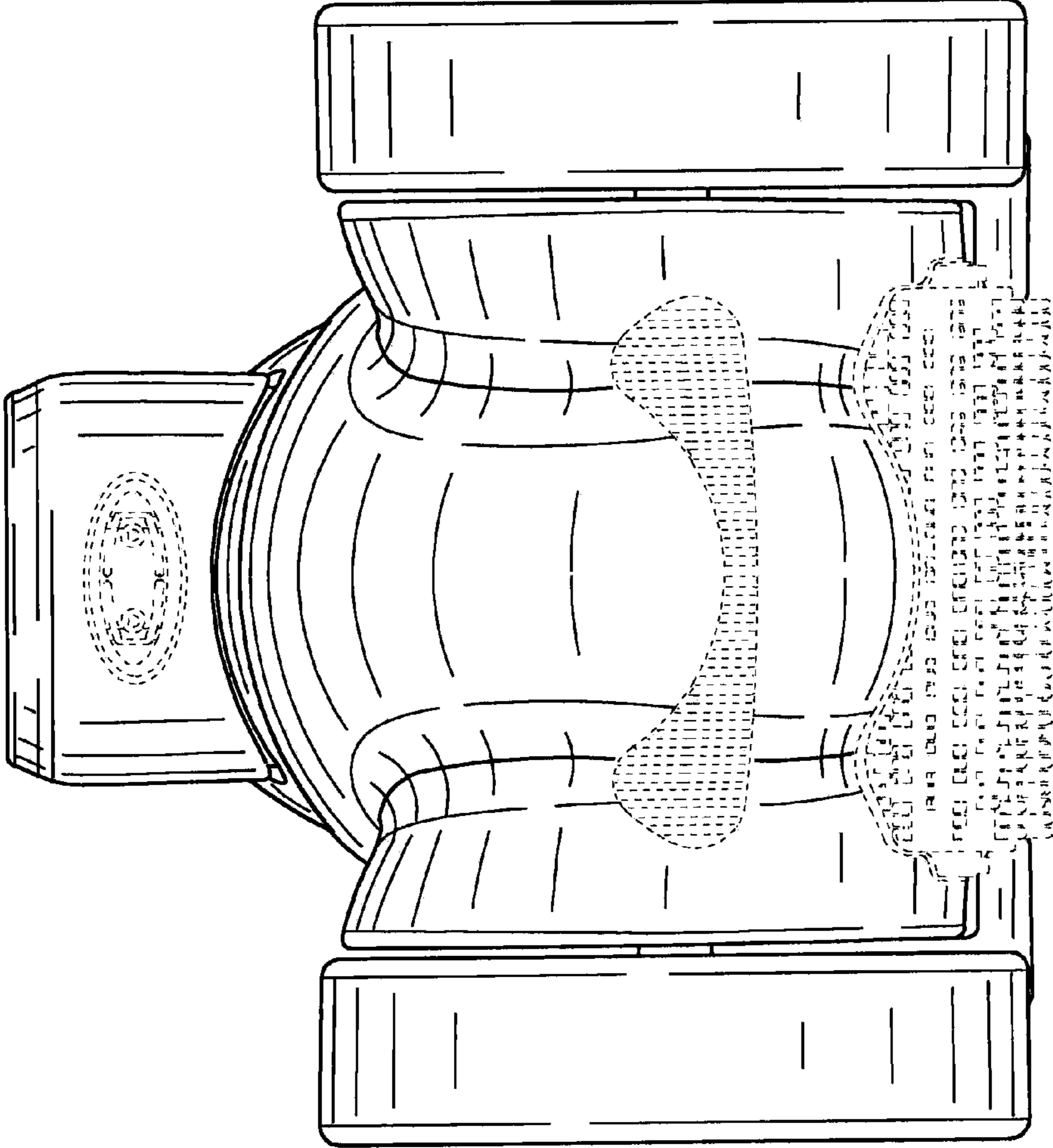


FIG. 6



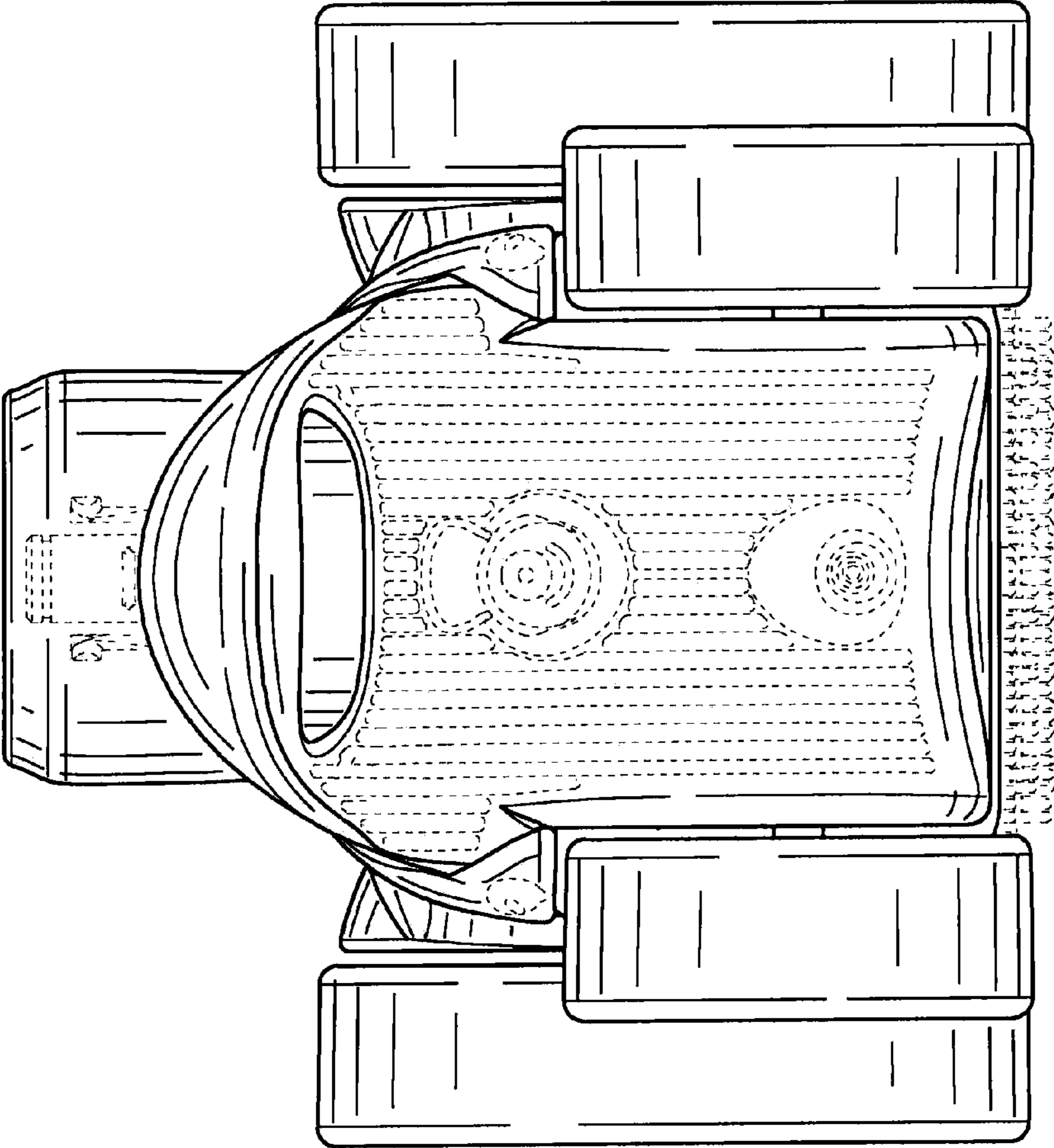


FIG. 7

FIG. 8

