



US00D684737S

(12) **United States Design Patent**
Wolfe et al.

(10) **Patent No.:** **US D684,737 S**
(45) **Date of Patent:** **** Jun. 18, 2013**

(54) **EXTRACTOR HOUSING**

(75) Inventors: **Kevin A. Wolfe**, San Marcos, CA (US);
Richard A. Black, Bellingham, WA
(US); **William Bruders**, Sedro Woolley,
WA (US); **Larry White**, Mount Vernon,
WA (US)

(73) Assignee: **Dri-Eaz Products, Inc.**, Burlington, WA
(US)

(**) Term: **14 Years**

(21) Appl. No.: **29/400,735**

(22) Filed: **Aug. 31, 2011**

(51) **LOC (9) Cl.** **15-05**

(52) **U.S. Cl.**
USPC **D32/21**

(58) **Field of Classification Search**
USPC D32/17–18, 21, 23–24, 31–34;
15/327.1–327.7, 320–321, 323, 353, 344,
15/329, 347, 246.2, 246.4, 301, 310, 313,
15/414, 328, 415.1–422.1; 210/167.16, 167.17;
285/7; 55/DIG. 3, 337, 345, 459.1, 429
See application file for complete search history.

(56) **References Cited**

U.S. PATENT DOCUMENTS

855,433 A	5/1907	Freeman
896,290 A	8/1908	Freeman
930,134 A	8/1909	Blackall
933,003 A	8/1909	Smith
1,016,435 A	2/1912	Overholt
1,042,711 A	10/1912	Moorhead
1,601,774 A	10/1926	Scheffer
1,661,553 A	3/1928	Baar
1,703,551 A	2/1929	Singer
1,821,715 A	9/1931	Kuchinsky
1,929,345 A	10/1933	Brown et al.
1,992,238 A	2/1935	Rose

2,081,597 A	5/1937	Nowak
2,156,890 A	5/1939	Wuringer
2,164,392 A	7/1939	Ellis
2,210,030 A	8/1940	Ellis
2,219,802 A	10/1940	Bjorkman

(Continued)

FOREIGN PATENT DOCUMENTS

AU	6869694	1/1995
AU	1471595 A	7/1995

(Continued)

OTHER PUBLICATIONS

U.S. Products, “The Flood King—Portable Water Extractor for Restoration,” Instant 212° F. Heat at the Wand Tip, <http://www.usproducts.com/products/restoration/floodking.htm>, accessed Aug. 17, 2011, 1 page.

(Continued)

Primary Examiner — Ruth McInroy

(74) *Attorney, Agent, or Firm* — Perkins Coie LLP

(57)

CLAIM

The ornamental design for an extractor housing, as shown and described.

DESCRIPTION

FIG. 1 is an isometric view of an extractor housing showing our new design;

FIG. 2 is a front view thereof;

FIG. 3 is a rear view thereof;

FIG. 4 is a left side view thereof;

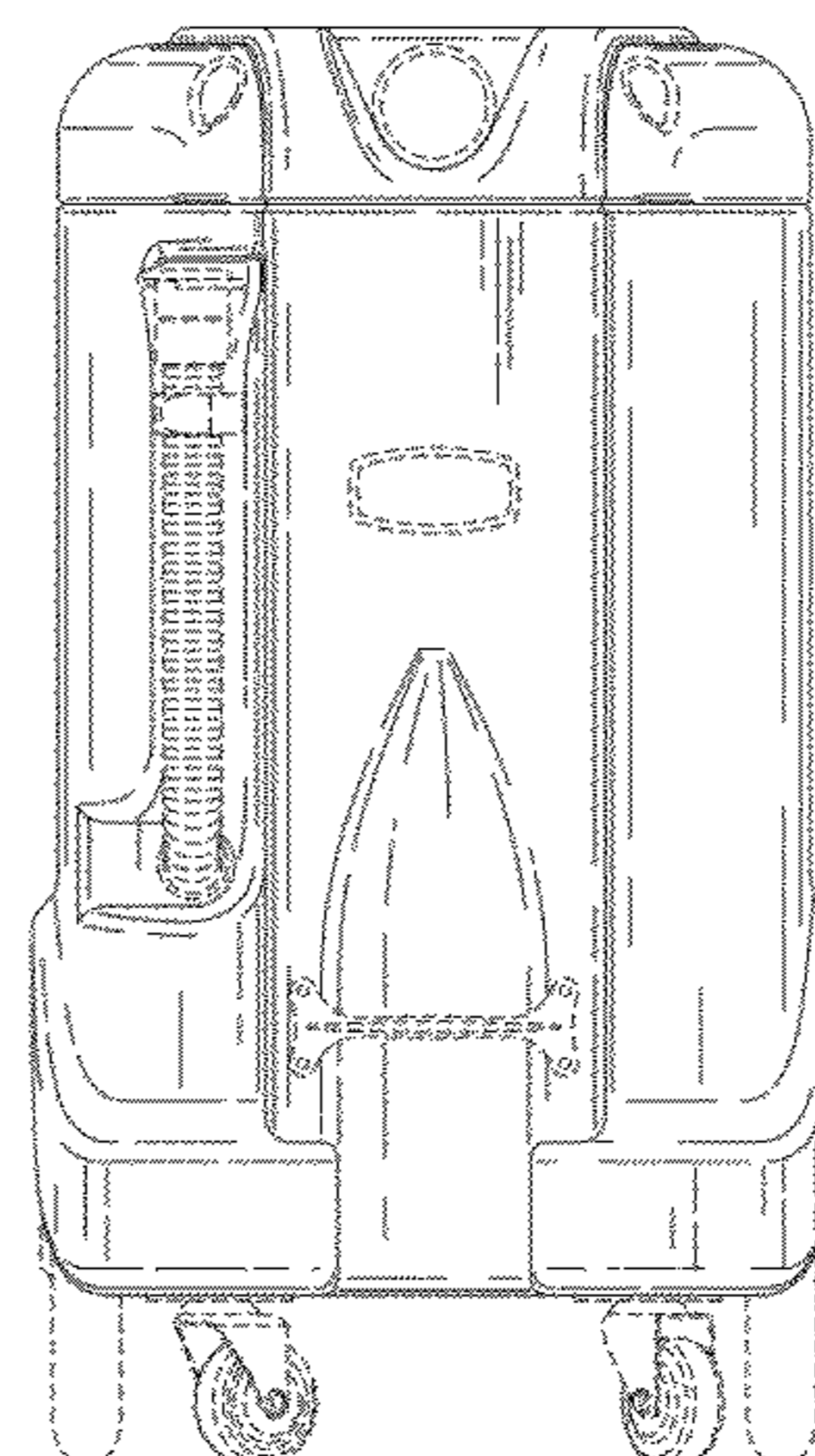
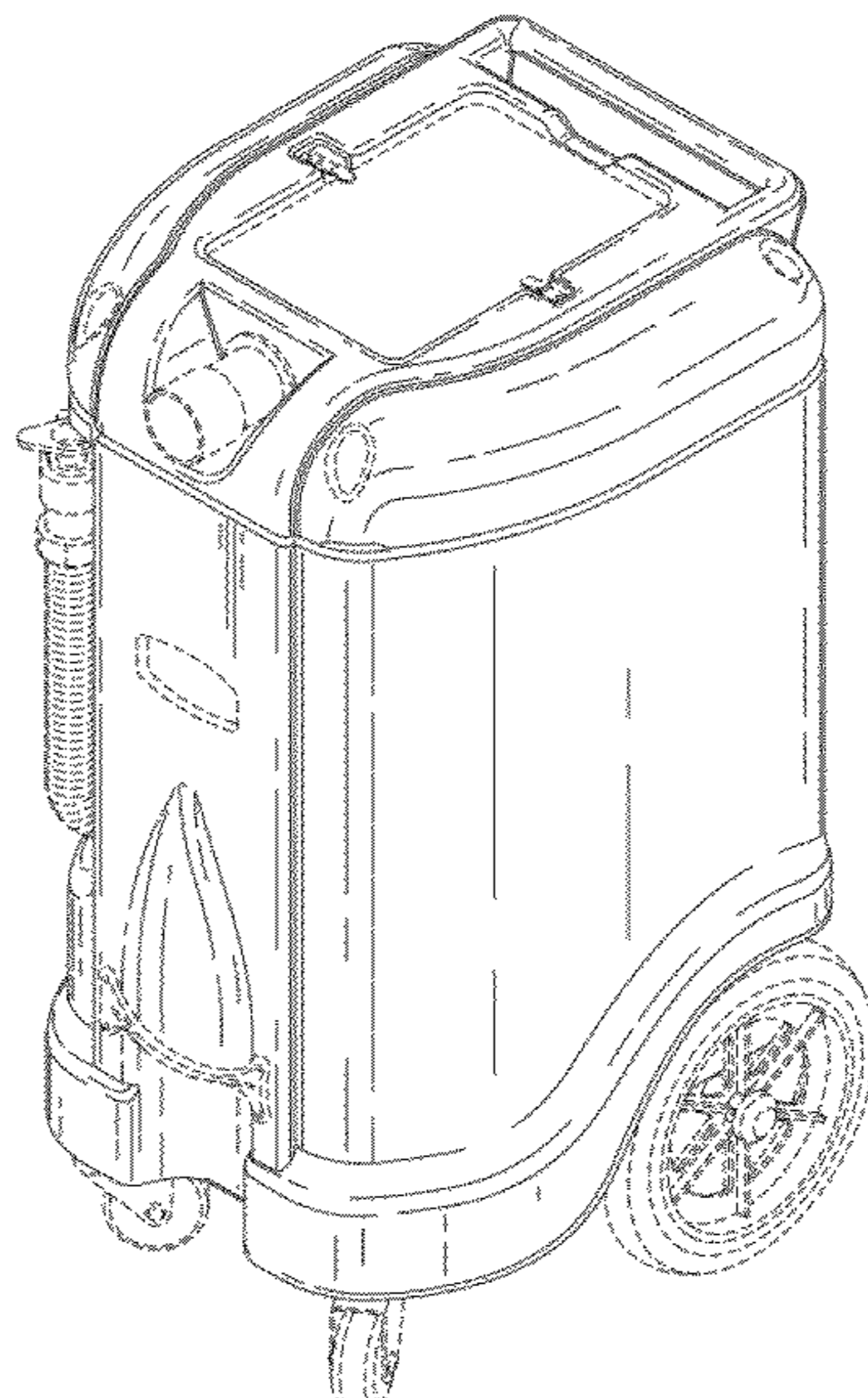
FIG. 5 is a right side view thereof;

FIG. 6 is a top view thereof; and,

FIG. 7 is a bottom view thereof.

The features shown in broken lines depict environmental subject matter only and form no part of the claimed design.

1 Claim, 4 Drawing Sheets



US D684,737 S

U.S. PATENT DOCUMENTS					
2,240,005	A	4/1941 Moyer	5,032,184	A	7/1991 Ogilvie et al.
2,276,944	A	3/1942 Dow	5,067,199	A	11/1991 Alazet
2,280,751	A	4/1942 Davis	5,103,527	A	4/1992 Holland
2,533,697	A	12/1950 Stewart	5,134,748	A	8/1992 Lynn
2,554,238	A	5/1951 Burrll	D333,890	S *	3/1993 Oberdorfer-Bogel D32/23
2,624,063	A	1/1953 Van Der Heem	D334,258	S *	3/1993 Oberdorfer-Bogel D32/23
2,703,905	A	3/1955 Faith-Ell	5,280,666	A	1/1994 Wood et al.
2,719,596	A	10/1955 Kent et al.	5,392,490	A	2/1995 Monson
2,785,432	A	3/1957 Rockwell	D361,178	S	8/1995 Piret
2,799,040	A	7/1957 Hageal	5,437,651	A	8/1995 Todd et al.
2,822,061	A	2/1958 Pettit et al.	5,463,791	A	11/1995 Roden
3,029,463	A	4/1962 Bishop	5,485,651	A	1/1996 Payeur
3,065,491	A	11/1962 Amador	5,485,652	A	1/1996 Holland
3,072,951	A	1/1963 Kelnhofer	5,548,905	A	8/1996 Kuma et al.
3,134,128	A	5/1964 Campbell	5,555,595	A	9/1996 Ligman
3,169,843	A	2/1965 Campbell	5,593,091	A	1/1997 Harris
3,286,368	A	11/1966 Thomas	5,634,238	A	6/1997 McCaffrey et al.
3,324,846	A	6/1967 Smith	5,655,255	A	8/1997 Kelly
3,345,672	A	10/1967 La Mers et al.	5,655,258	A	8/1997 Heintz
3,375,540	A	4/1968 Hyde	5,659,923	A	8/1997 Coombs
3,506,747	A	4/1970 Creskoff	5,720,078	A	2/1998 Heintz
3,571,841	A	3/1971 Crouser	D394,499	S	5/1998 Bettag et al.
3,605,171	A	9/1971 Candor et al.	5,785,723	A	7/1998 Beran et al.
3,619,848	A	11/1971 Salzmann	5,797,161	A	8/1998 Campbell
3,624,668	A	11/1971 Krause	5,819,366	A	10/1998 Edin
3,689,956	A	9/1972 Melreit	5,870,797	A	2/1999 Anderson
3,697,771	A	10/1972 Colt	5,891,198	A	4/1999 Pearlstein
3,701,343	A	10/1972 Bowers	5,911,260	A	6/1999 Suzuki
3,708,824	A	1/1973 Holubinka	5,992,051	A	11/1999 Salehibakhsh
3,739,422	A	6/1973 Johnson et al.	D419,230	S	1/2000 Ciccone
3,739,483	A	6/1973 Meier-Windhorst	6,029,310	A	2/2000 Besel
3,761,997	A	10/1973 Frazier	6,047,437	A	4/2000 Suzuki
3,771,193	A	11/1973 Hageal	6,052,861	A	4/2000 Keller
3,774,261	A	11/1973 Colt	6,076,597	A	6/2000 Manning et al.
3,780,398	A	12/1973 Candor	6,080,243	A	6/2000 Insley et al.
3,786,531	A	1/1974 Borg	6,136,098	A	10/2000 Tribastone
3,800,359	A	4/1974 Howard et al.	6,152,151	A	11/2000 Bolden et al.
3,895,407	A	7/1975 Parise	6,195,907	B1	3/2001 Bodnar et al.
3,919,729	A	11/1975 Cannan	6,243,914	B1	6/2001 Studebaker
3,950,815	A	4/1976 Fukuchi et al.	D445,116	S	7/2001 Evans et al.
3,958,298	A	5/1976 Cannan	6,266,892	B1	7/2001 Haynie
3,964,925	A	6/1976 Burgoon	D446,612	S *	8/2001 Kohler D32/21
4,000,538	A	1/1977 Tissier	6,298,577	B1	10/2001 Haynie
4,013,039	A	3/1977 Kubilius et al.	6,355,112	B1	3/2002 Bartholmey et al.
4,074,387	A	2/1978 Arato et al.	6,513,192	B1	2/2003 Pearlstein
4,095,309	A	6/1978 Sundheim	D482,171	S	11/2003 Vui et al.
D248,763	S	8/1978 Muller	6,647,639	B1	11/2003 Storrer
4,109,340	A	8/1978 Bates	6,675,437	B1	1/2004 York
4,133,072	A	1/1979 Face, Jr.	D508,735	S	8/2005 Klein
4,153,968	A	5/1979 Perkins	6,981,338	B2	1/2006 Jensen et al.
4,161,802	A	7/1979 Knight et al.	7,059,013	B2	6/2006 Wydra et al.
4,182,001	A	1/1980 Krause	7,070,662	B2	7/2006 Studebaker
4,203,714	A	5/1980 Wenander	D529,019	S	9/2006 Lim
4,207,649	A	6/1980 Bates	7,159,271	B2	1/2007 Sepke et al.
4,227,316	A	10/1980 Schneider	D572,356	S	7/2008 Harber
4,264,999	A	5/1981 Monson	7,392,566	B2	7/2008 Gordon et al.
4,270,238	A	6/1981 Shallenberg et al.	D577,426	S	9/2008 Huang
4,275,478	A	6/1981 Kohlenberger	D581,111	S *	11/2008 DiPasquale D32/21
4,279,057	A	7/1981 Restivo	D581,608	S *	11/2008 Dammkoehler et al. D32/21
4,284,127	A	8/1981 Collier et al.	D617,437	S	6/2010 Matsuzaki
4,308,636	A	1/1982 Davis	D634,414	S	3/2011 Wolfe et al.
4,334,336	A	6/1982 Harbeck et al.	D641,844	S	7/2011 Kim et al.
4,335,486	A	6/1982 Kochte	D641,845	S	7/2011 Breit et al.
4,336,627	A	6/1982 Bascus	8,056,182	B2 *	11/2011 Day 15/321
4,339,840	A	7/1982 Monson	8,127,397	B2 *	3/2012 Hess et al. 15/323
4,373,226	A	2/1983 Lubnitz	2004/0255484	A1	12/2004 Storrer et al.
4,391,017	A	7/1983 Bruensicke	2007/0039724	A1	2/2007 Trumbower et al.
4,391,619	A	7/1983 Shono et al.	2007/0061996	A1	3/2007 Boone
4,413,372	A	11/1983 Berfield	2008/0184520	A1	8/2008 Wolfe et al.
4,441,229	A	4/1984 Monson	2009/0007367	A1 *	1/2009 Archbold 15/327.1
4,443,909	A	4/1984 Cameron	2009/0038105	A1	2/2009 Mayer
4,475,265	A	10/1984 Berfield	2009/0094784	A1	4/2009 Pedlar et al.
4,488,329	A	12/1984 Lackenbach	2009/0288685	A1	11/2009 Wolfe et al.
4,531,928	A	7/1985 Ikenoya			
4,571,849	A	2/1986 Gardner et al.			
4,922,572	A	5/1990 Kohl et al.			
4,968,166	A	11/1990 Ingram			
5,014,389	A	5/1991 Ogilvie et al.			

FOREIGN PATENT DOCUMENTS

AU	199923942	B2	8/2001
CA	02559485	A1	9/2005
CA	02568203	A1	12/2005

GB 663211 A 12/1951
GB 2145620 A 4/1985
WO WO-0106188 A1 1/2001

OTHER PUBLICATIONS

U.S. Appl. No. 29/110,084, filed Aug. 30, 1999, Blackburn.
U.S. Appl. No. 29/400,737, filed Aug. 31, 1999, Wolfe et al.
Dri-Eaz, "Rescue Mat System," <<http://www.dri-eaz.com/VTC/RescueMat.html>>, internet accessed on Jun. 20, 2005, 7 pages.

Injectidry Systems, Inc., "Product Page," <<http://web.archive.org/web/20000520132110/www.injectidry.com/product.htm>>, internet accessed on May 20, 2005, 3 pages.

Injectidry Systems, Inc., "Vac-It Panels," <<http://web.archive.org/web/20021222211319/www.injectidry.com/vpanel.htm>>, internet accessed on Jun. 20, 2005, 2 pages.

JonDon, "DryPro Water Vac", <<http://www.jondon.com>>, internet accessed on Apr. 2, 2010, 2 pages.

WaterClaw, "FlashXtractor," product brochure, undated, 2 pages.

* cited by examiner

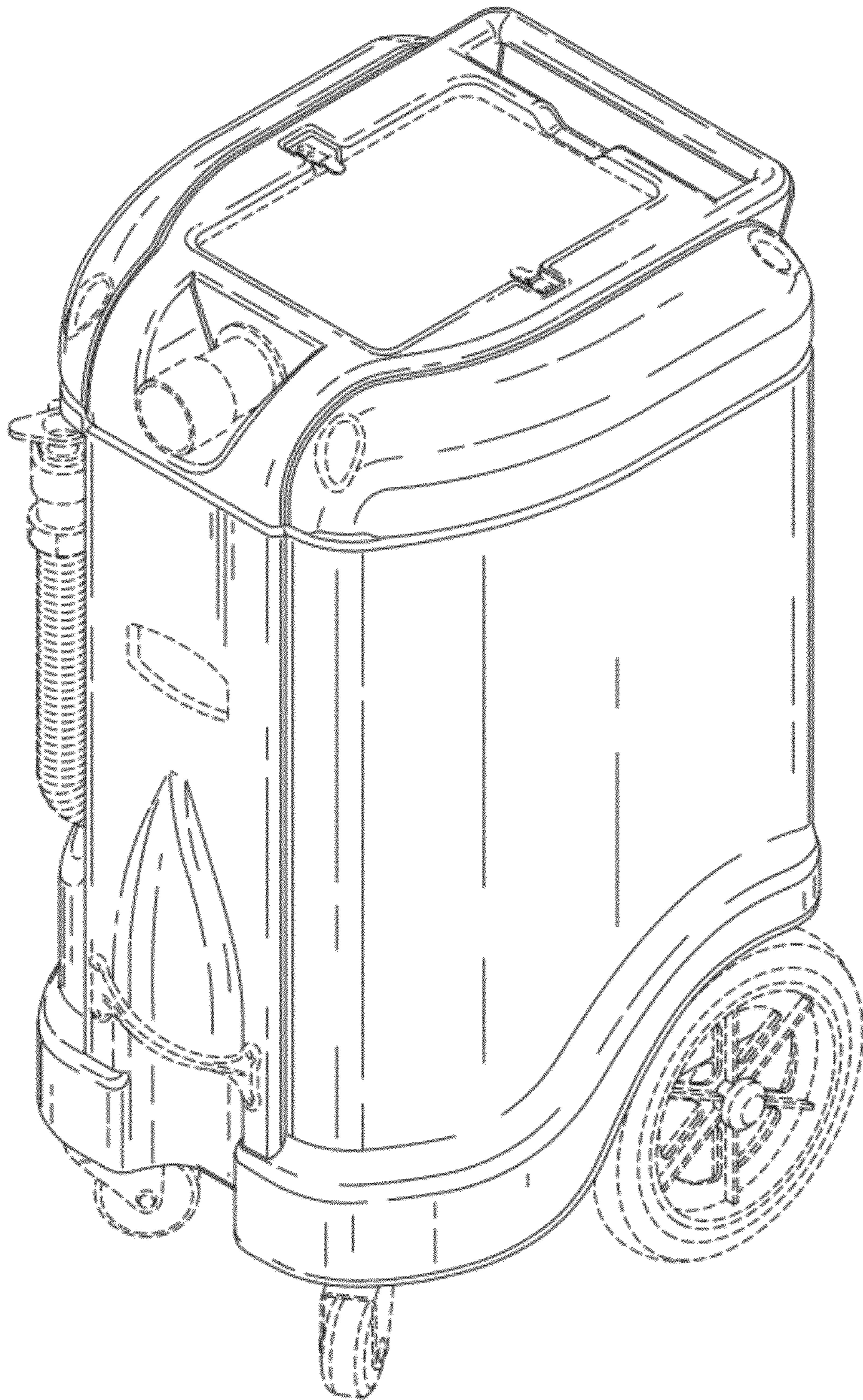


Fig. 1

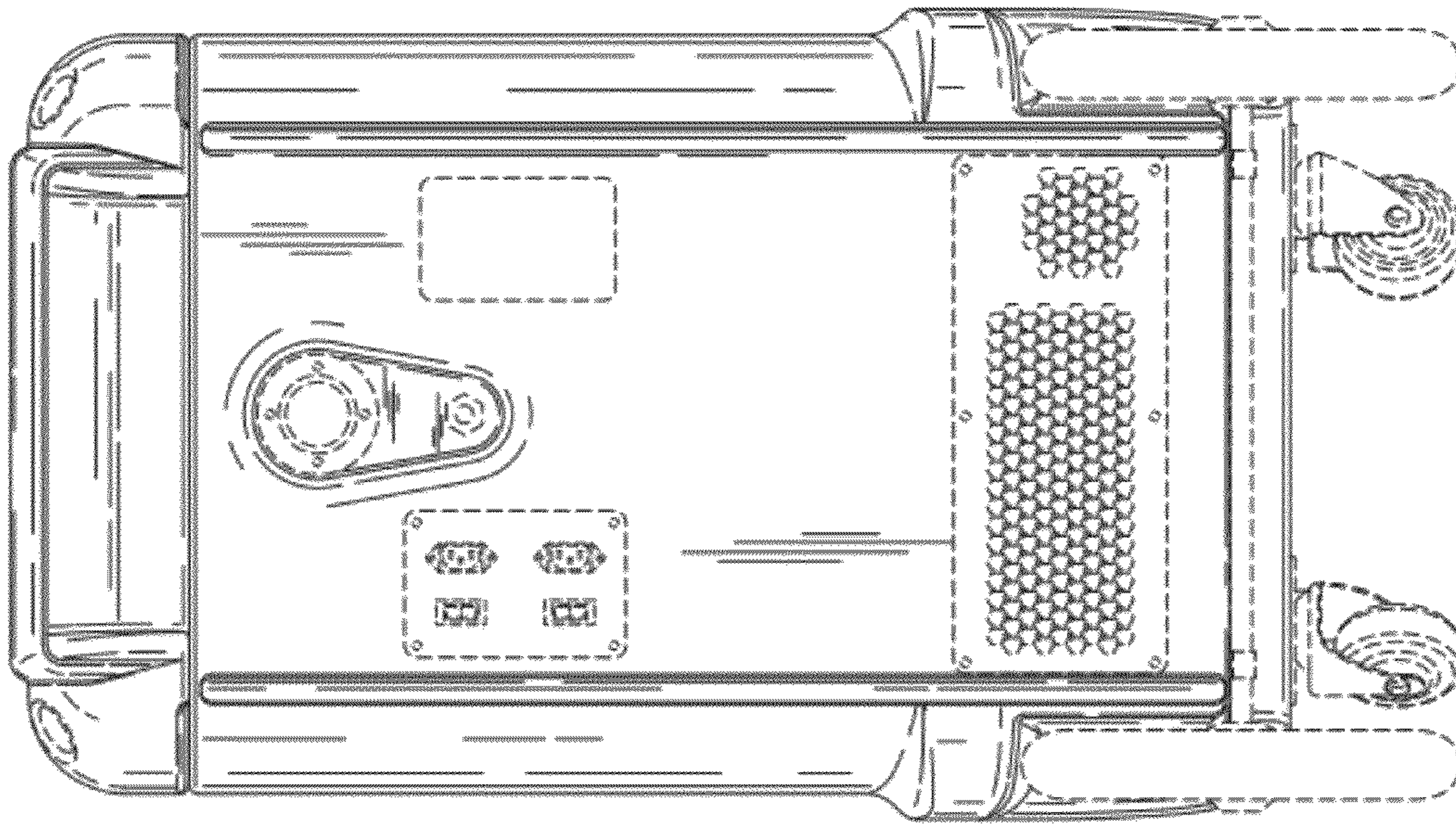


Fig. 3

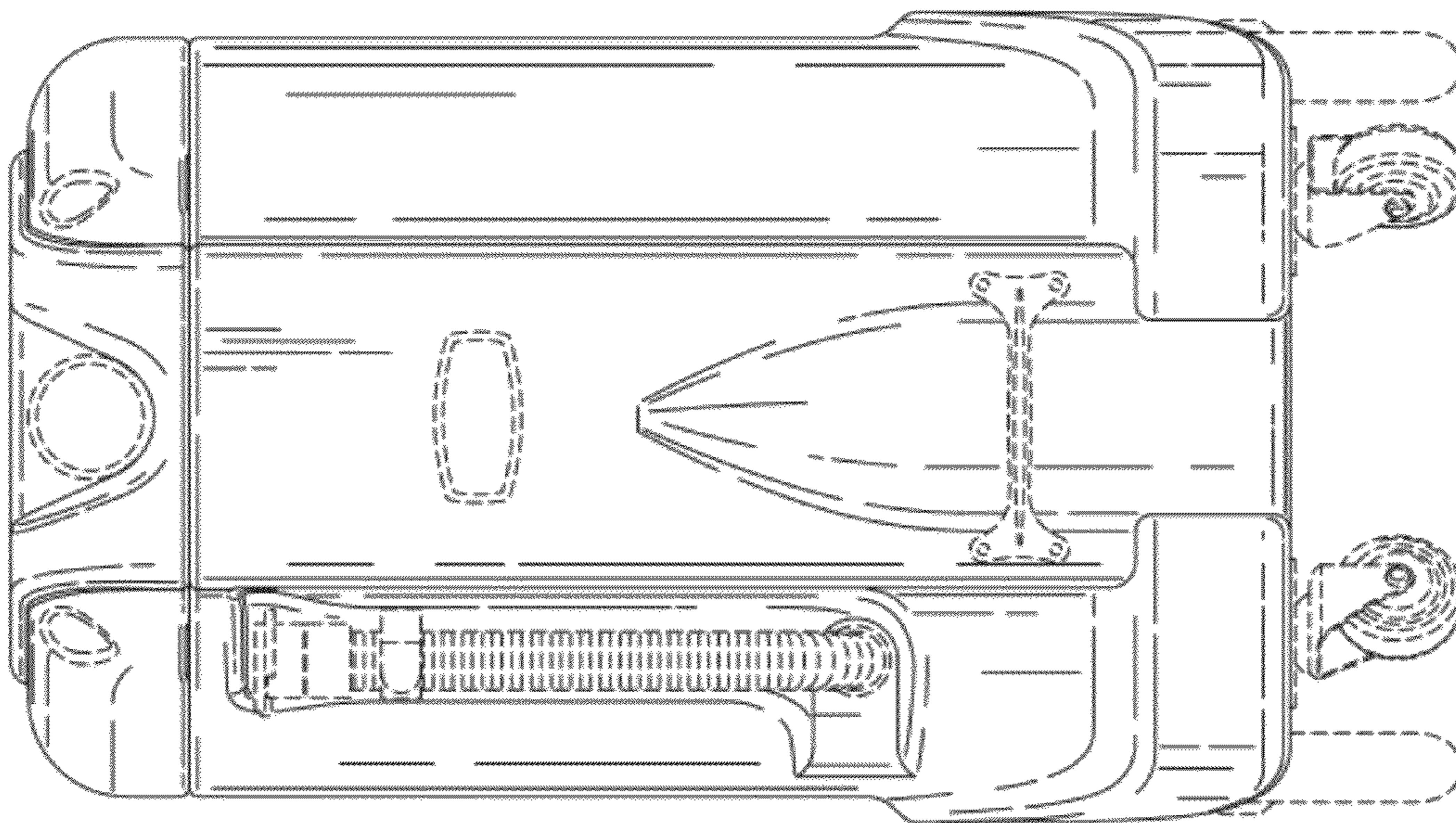


Fig. 2

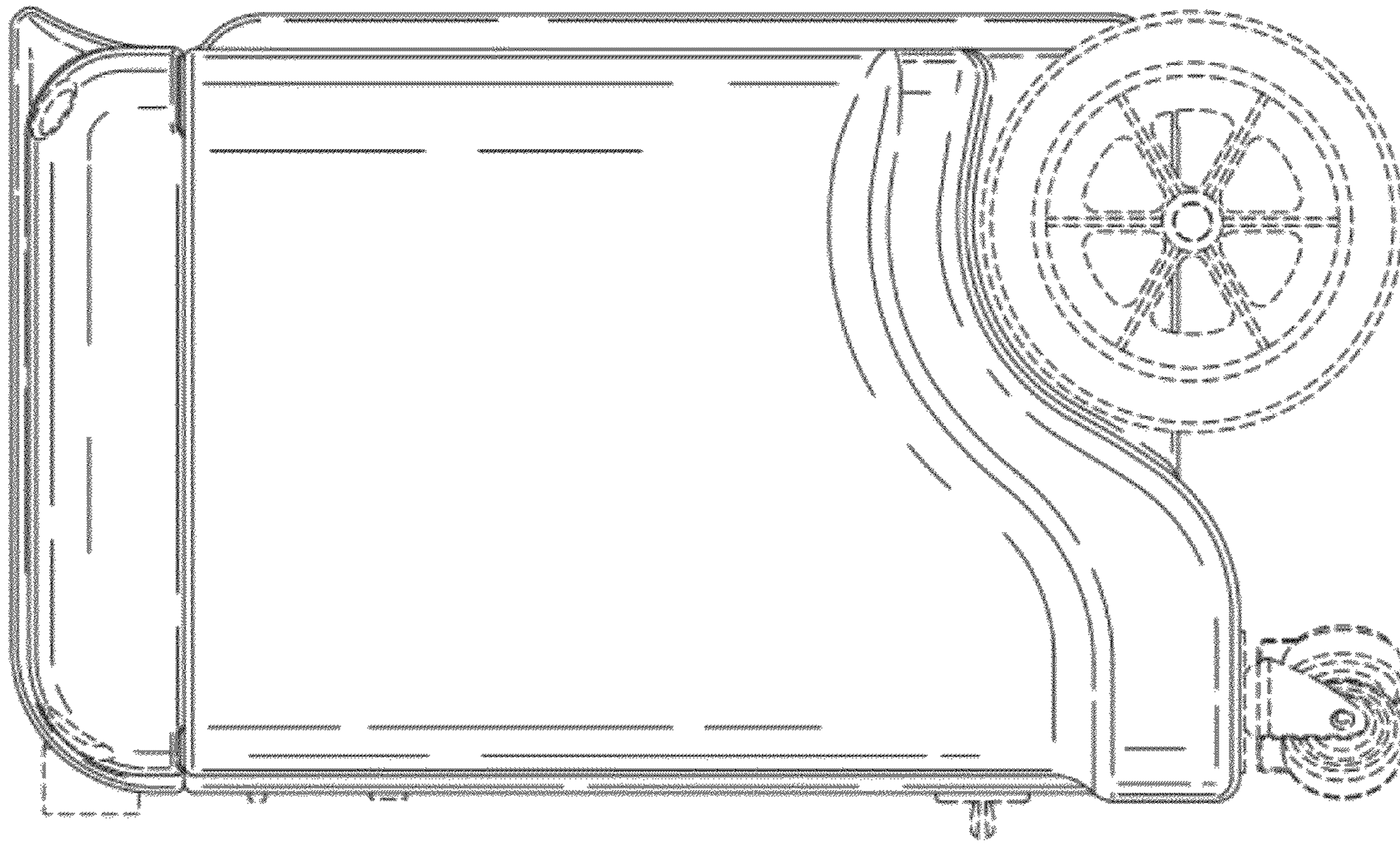


Fig. 5

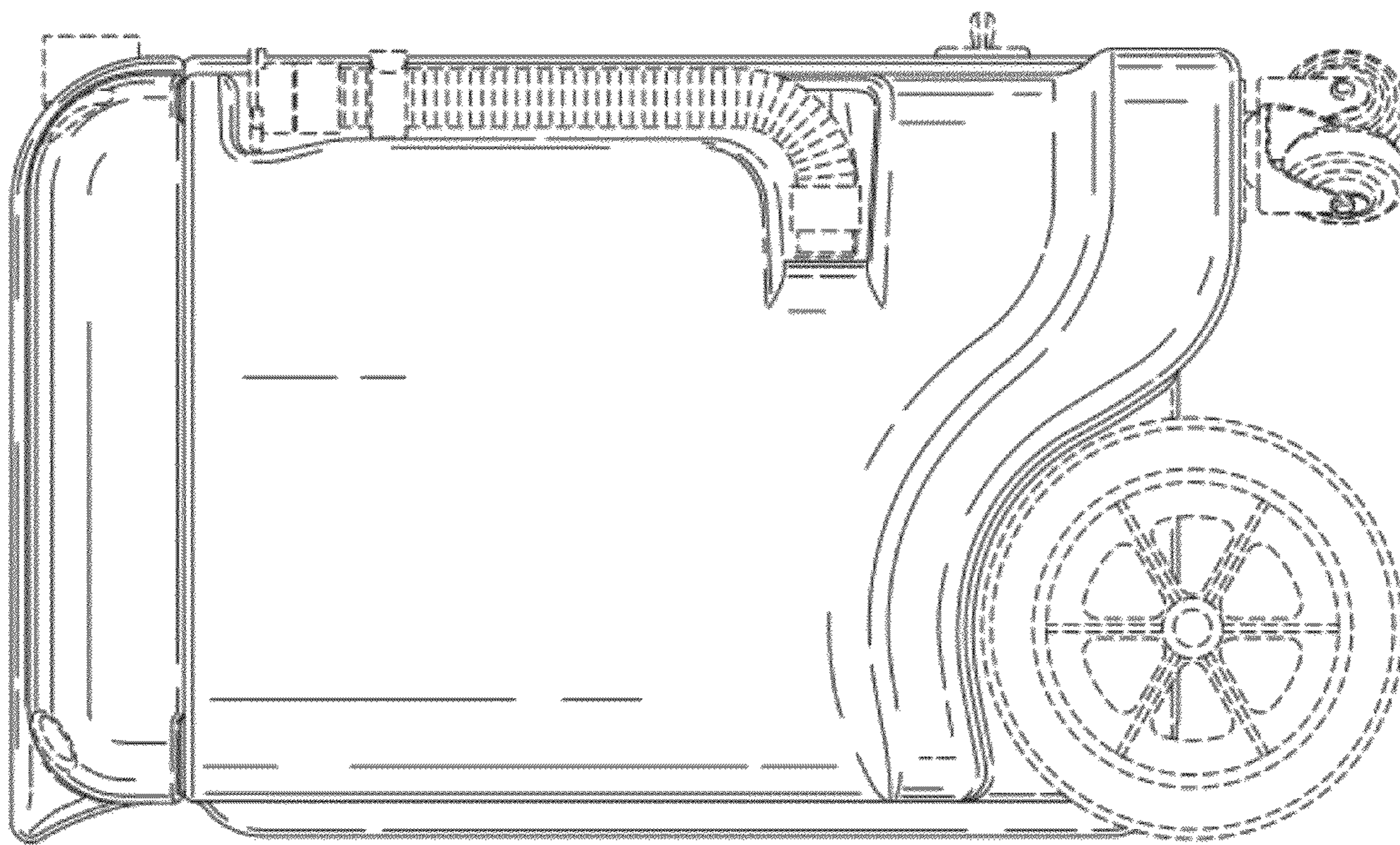


Fig. 4

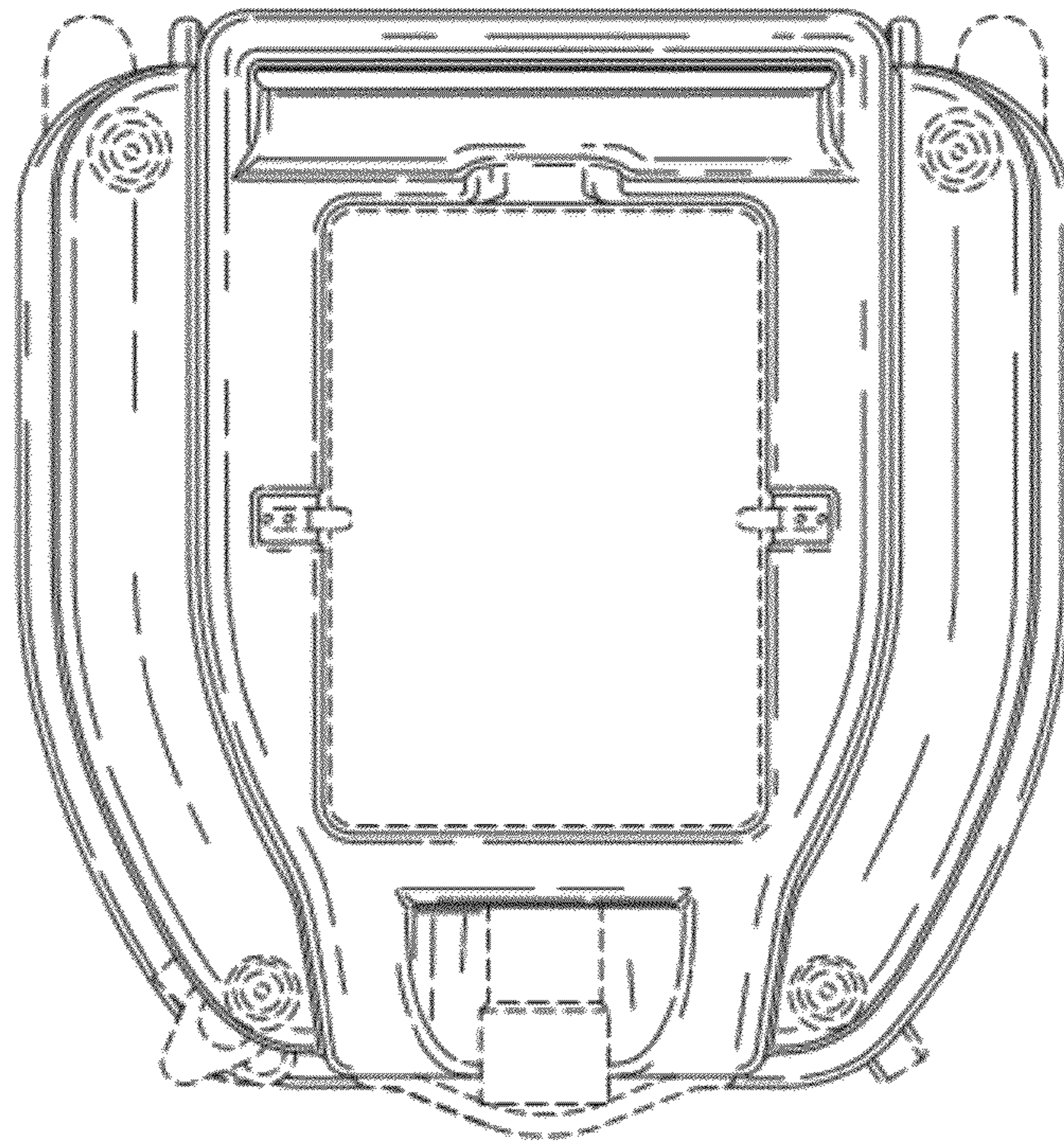


Fig. 6

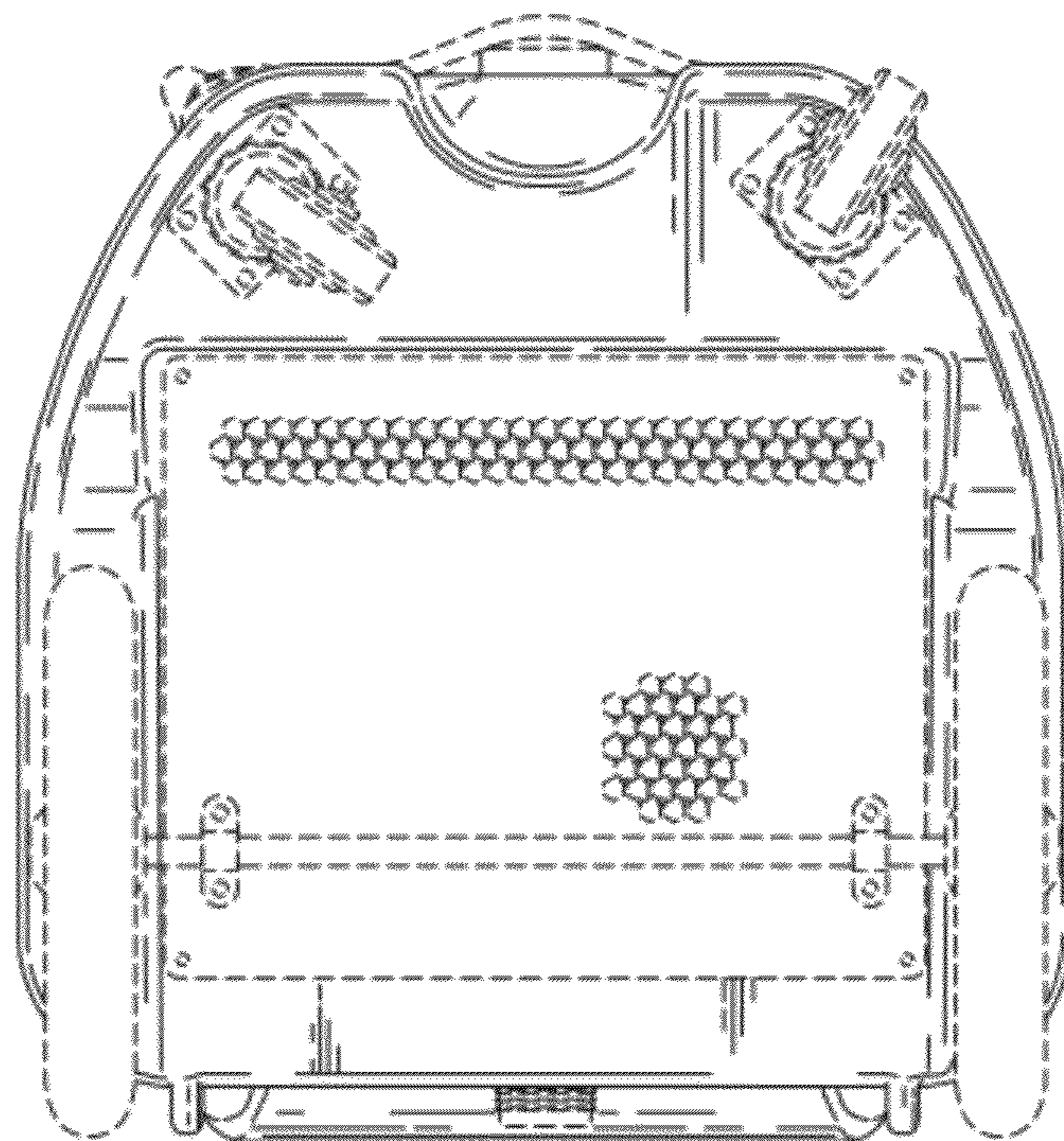


Fig. 7