



US00D684733S

(12) **United States Design Patent**
Altoon

(10) **Patent No.:** **US D684,733 S**
(45) **Date of Patent:** **** Jun. 18, 2013**

(54) **PET LITTER TRAY**

(76) Inventor: **Telma Altoon**, Porter Ranch, CA (US)

(**) Term: **14 Years**

(21) Appl. No.: **29/415,308**

(22) Filed: **Mar. 9, 2012**

(51) **LOC (9) Cl.** **30-99**

(52) **U.S. Cl.**
USPC **D30/161**

(58) **Field of Classification Search**
USPC D30/118–119, 129–130, 161; D3/304,
D3/314; 119/161–170; D7/360, 552.1, 543,
D7/545, 548, 554.3
See application file for complete search history.

(56) **References Cited**

U.S. PATENT DOCUMENTS

605,527	A *	6/1898	Swartz	248/371
D212,821	S *	11/1968	Benes	D7/545
3,752,120	A *	8/1973	Palesi	119/166
4,217,857	A *	8/1980	Geddie	119/166
4,723,510	A *	2/1988	Skillestad	119/167
4,869,204	A *	9/1989	Yananton	119/169
D341,990	S *	12/1993	Yim	D7/360
5,507,248	A *	4/1996	Gabbert	119/166
5,564,365	A *	10/1996	Kacic	119/165
5,730,084	A *	3/1998	Kacic	119/165
D432,361	S *	10/2000	Jenkins	D7/554.3
6,941,894	B2 *	9/2005	Scotto D'Aniello	119/166

D526,748	S *	8/2006	Van Skiver	D30/161
D526,851	S *	8/2006	Groff et al.	D7/552.1
D528,376	S *	9/2006	Munson et al.	D7/545
D558,408	S *	12/2007	Khubani	D30/199
D560,862	S *	1/2008	Knuth et al.	D30/155
D569,169	S *	5/2008	Munson	D7/354
D571,929	S *	6/2008	Palmer, III	D25/2
D582,201	S *	12/2008	Kellermann et al.	D7/360
D585,727	S *	2/2009	Kelleghan	D8/356
D588,859	S *	3/2009	Simon et al.	D7/354
D604,989	S *	12/2009	Chen et al.	D7/360
D641,217	S *	7/2011	Chen et al.	D7/667
D652,587	S *	1/2012	Matsuo et al.	D30/161
D661,488	S *	6/2012	Kraemer	D3/304

* cited by examiner

Primary Examiner — Cathy A MacCormac
(74) *Attorney, Agent, or Firm* — Albert J. Lum

(57) **CLAIM**

The ornamental design for a pet litter tray, as shown and described.

DESCRIPTION

FIG. 1 is a perspective view of a pet litter tray showing my new design.

FIG. 2 is a front view thereof.

FIG. 3 is a rear view thereof.

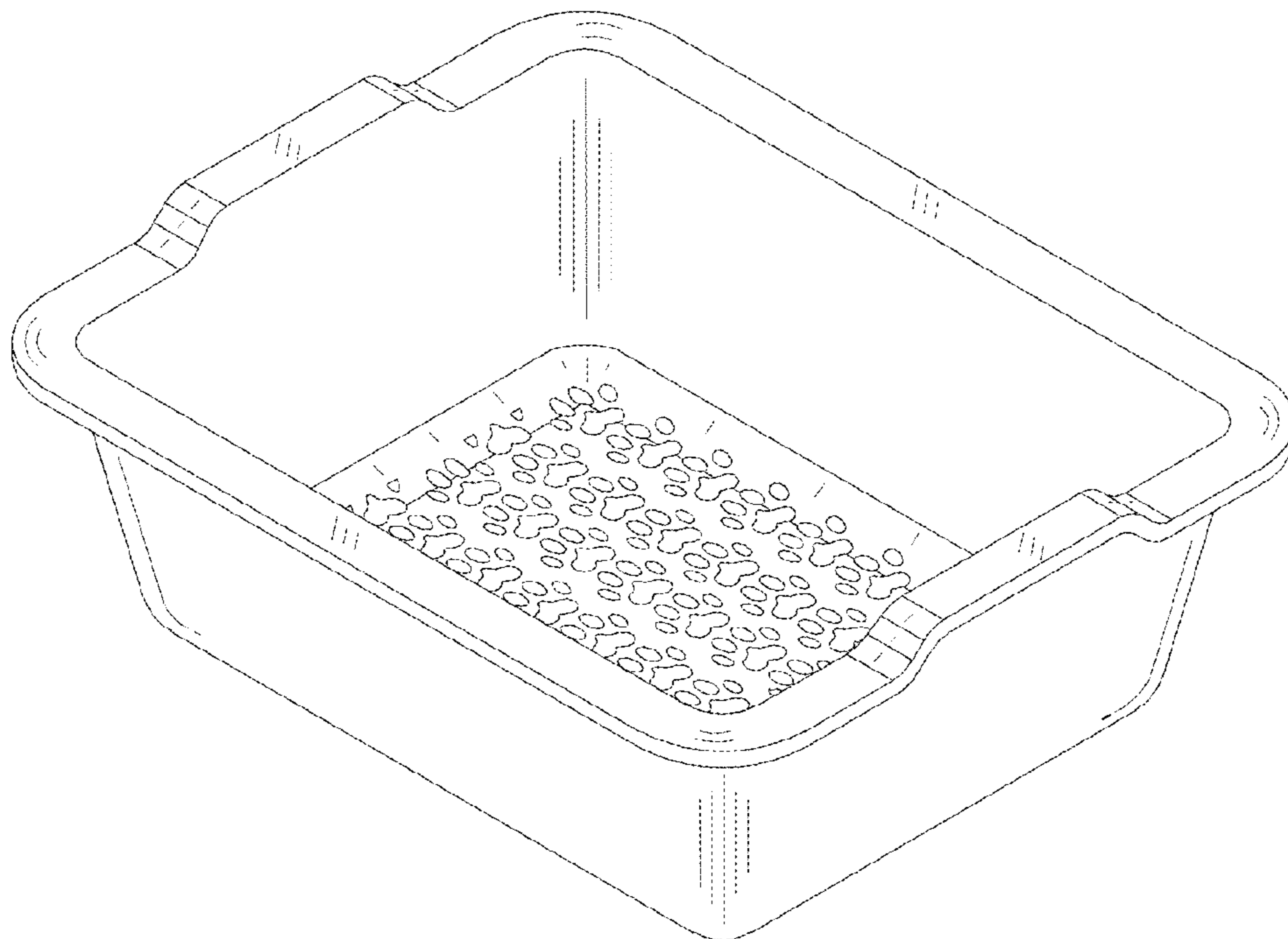
FIG. 4 is a right end view thereof.

FIG. 5 is a left end view thereof.

FIG. 6 is a top view thereof; and,

FIG. 7 is a bottom view thereof.

1 Claim, 4 Drawing Sheets



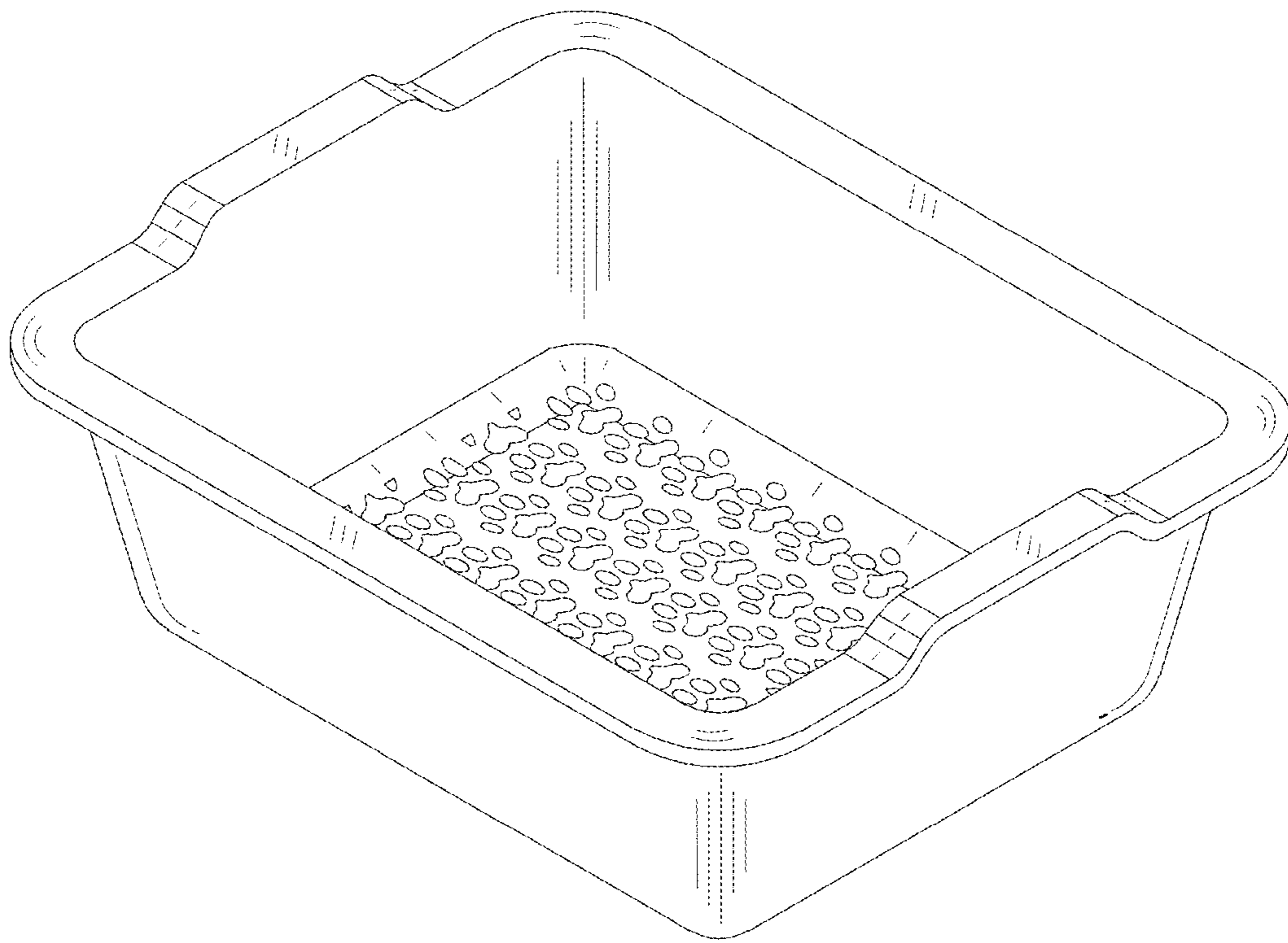


FIG. 1

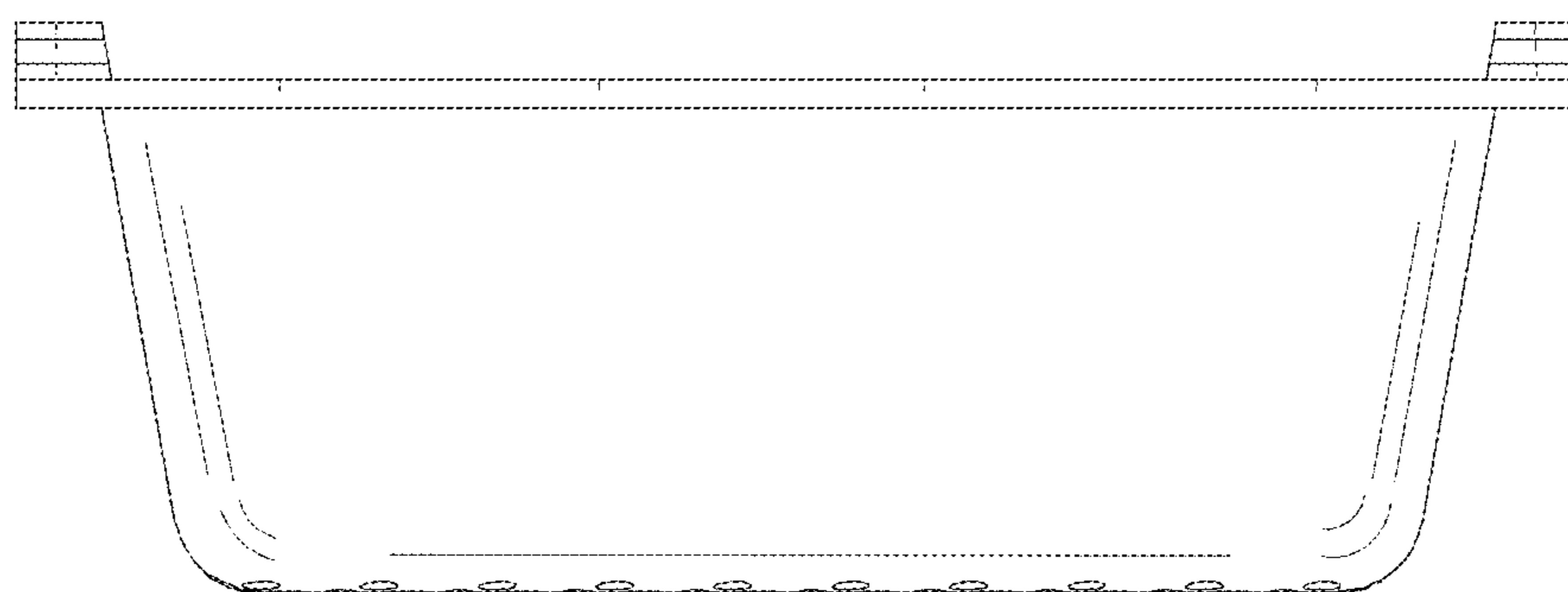


FIG. 2

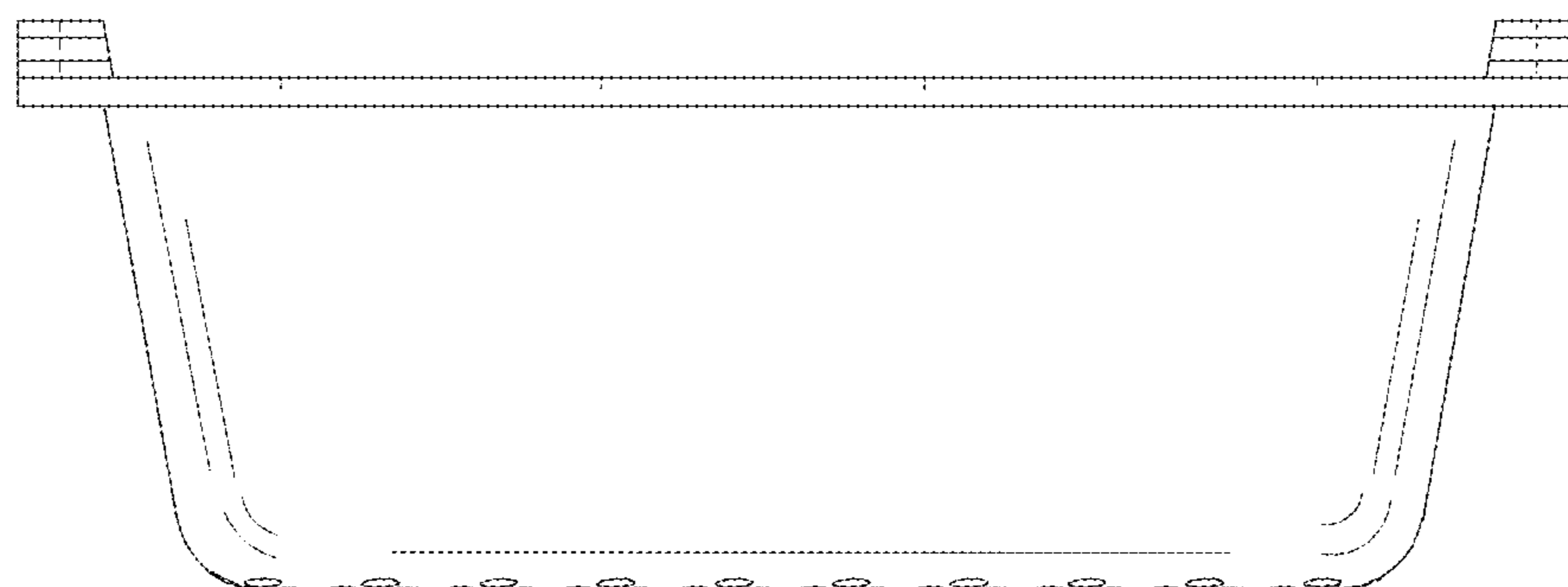


FIG. 3

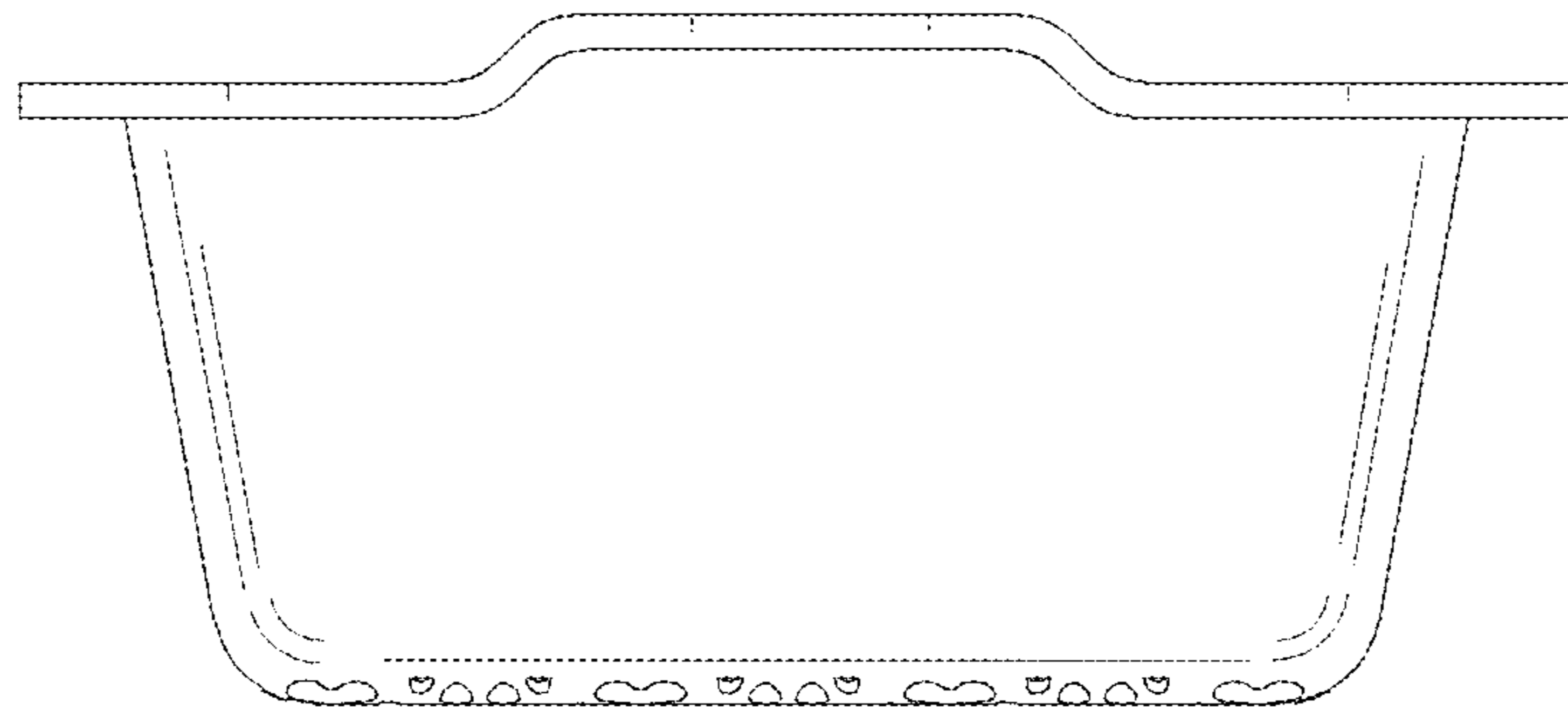


FIG. 4

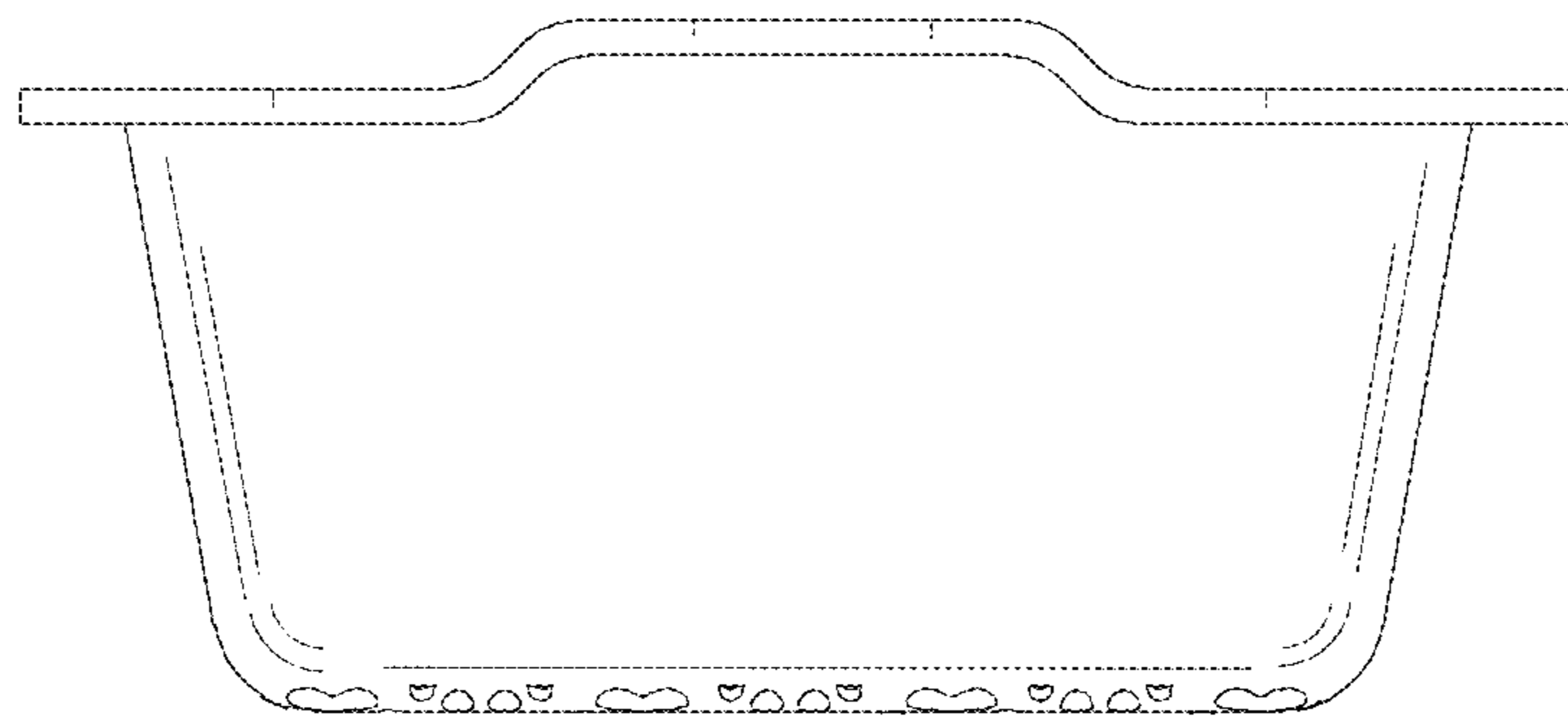


FIG. 5

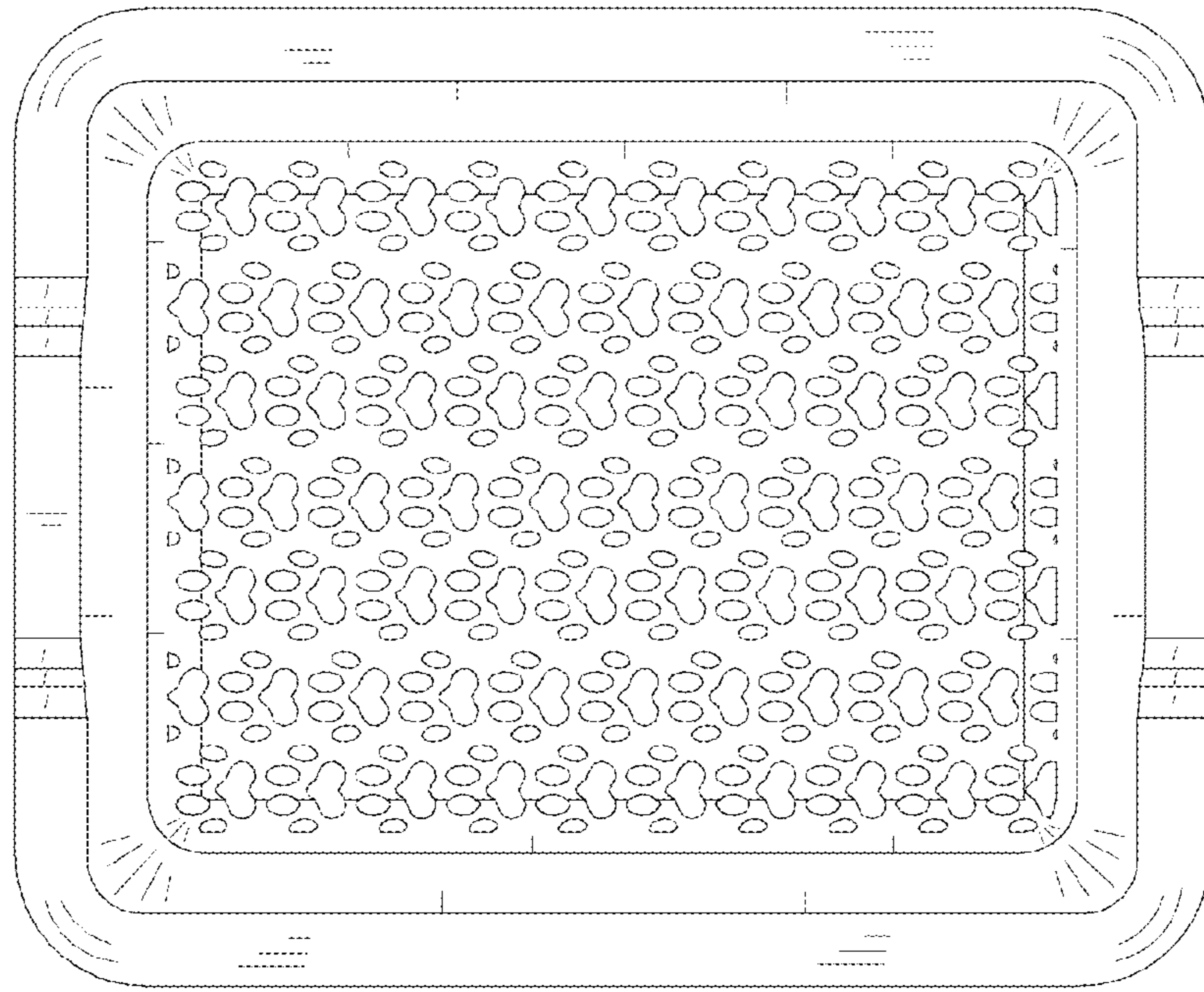


FIG. 6

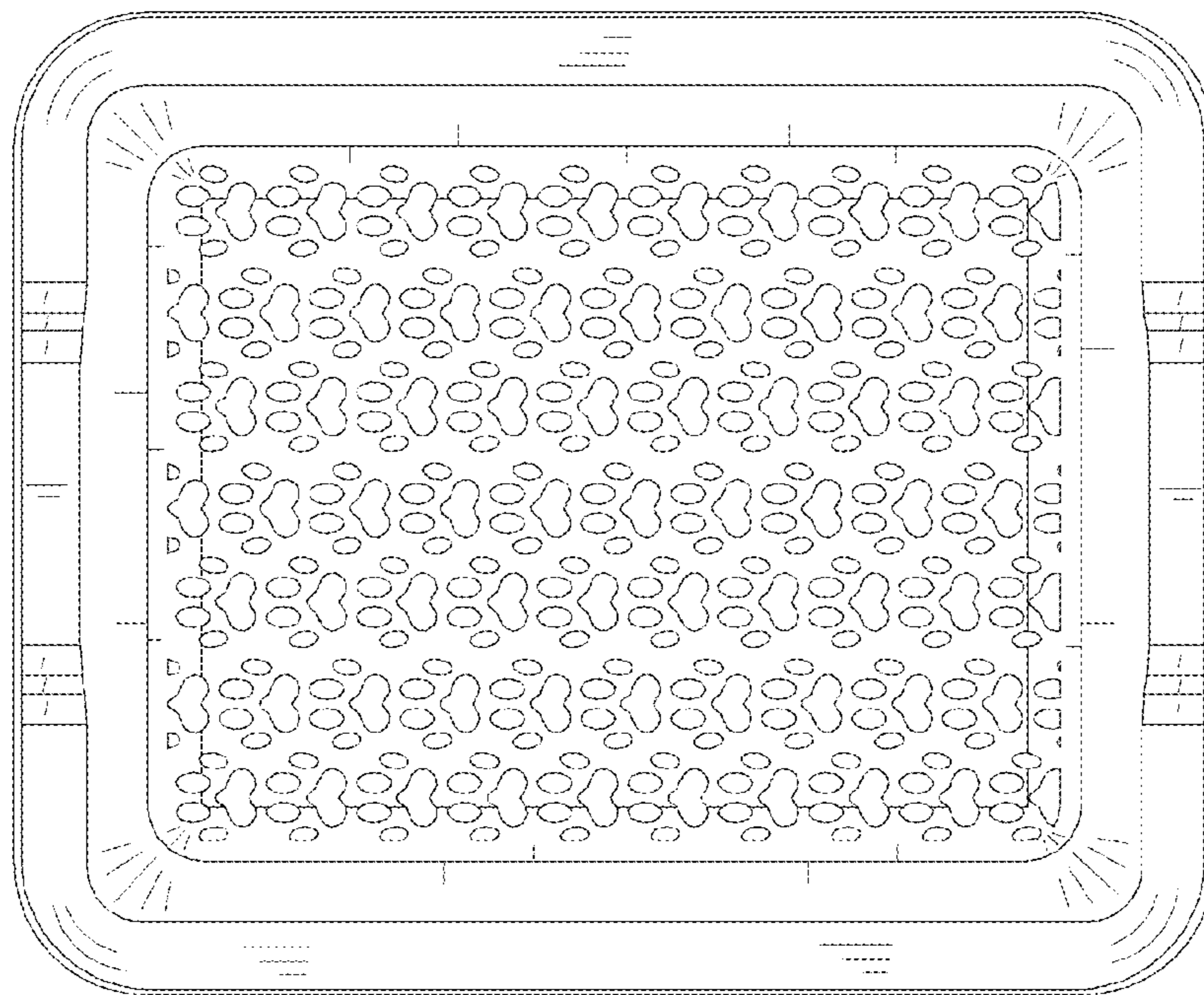


FIG. 7