



US00D684728S

(12) **United States Design Patent**
Siklosi et al.

(10) **Patent No.:** **US D684,728 S**
(45) **Date of Patent:** **** Jun. 18, 2013**

(54) **PROTECTIVE HEADGEAR**
(71) Applicants: **Tibor Siklosi**, Norman, OK (US); **Shaw Furukawa**, Oklahoma City, OK (US); **Jeffrey Woodson**, Choctaw, OK (US)
(72) Inventors: **Tibor Siklosi**, Norman, OK (US); **Shaw Furukawa**, Oklahoma City, OK (US); **Jeffrey Woodson**, Choctaw, OK (US)

D443,729 S * 6/2001 Tsujino D29/112
D444,270 S * 6/2001 Tsujino D29/112
D469,928 S * 2/2003 Keen et al. D29/112
D478,692 S * 8/2003 Gessner D29/112
6,986,168 B2 1/2006 Abelman et al.
D547,500 S * 7/2007 Karrman D29/112
D548,404 S * 8/2007 Purnell D29/112
D551,393 S * 9/2007 Purnell D29/112
D553,803 S * 10/2007 Keen D29/112
D616,609 S * 5/2010 Copeland D29/112
D622,006 S * 8/2010 Copeland D29/112
D629,569 S * 12/2010 Copeland D29/112

(73) Assignee: **Century, LLC**, Oklahoma City, OK (US)

* cited by examiner

(**) Term: **14 Years**

Primary Examiner — Elizabeth J Oswecki

(21) Appl. No.: **29/433,698**

(74) *Attorney, Agent, or Firm* — Head, Johnson & Kachigan, P.C.

(22) Filed: **Oct. 3, 2012**

(51) **LOC (9) Cl.** **29-02**

(52) **U.S. Cl.**
USPC **D29/112**

(58) **Field of Classification Search**
USPC D29/100, 102, 105, 106, 108, 112; 2/455, 2/410, 411, 414, 417, 418, 419, 421, 423, 2/424, 425, 9, 171, 208, 209, 909
See application file for complete search history.

(57) **CLAIM**

The ornamental design for a protective headgear, as shown and described.

DESCRIPTION

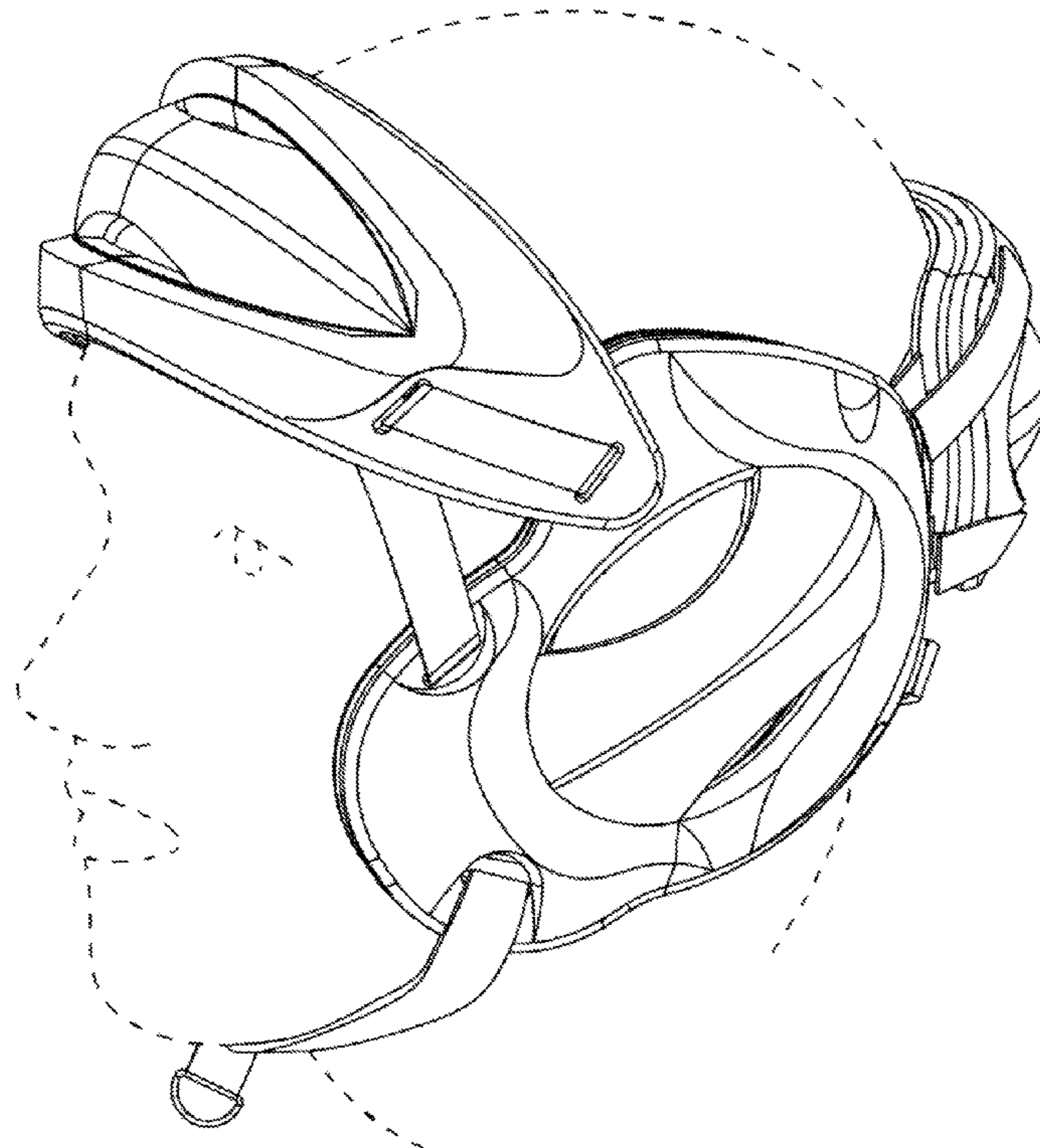
FIG. 1 is a front view of a protective headgear showing our new design;
FIG. 2 is a back view thereof;
FIG. 3 is a right side view thereof;
FIG. 4 is a left side view thereof;
FIG. 5 is a top view thereof;
FIG. 6 is a bottom view thereof; and,
FIG. 7 is a perspective view thereof, shown in place on a user's head, where the head is shown in broken lines and forms no part of the claimed design.

(56) **References Cited**

U.S. PATENT DOCUMENTS

2,277,994 A * 3/1942 Roberts 2/421
3,327,316 A * 6/1967 Pukish, Jr. 2/421
D384,774 S * 10/1997 Tsujino D29/106

1 Claim, 7 Drawing Sheets



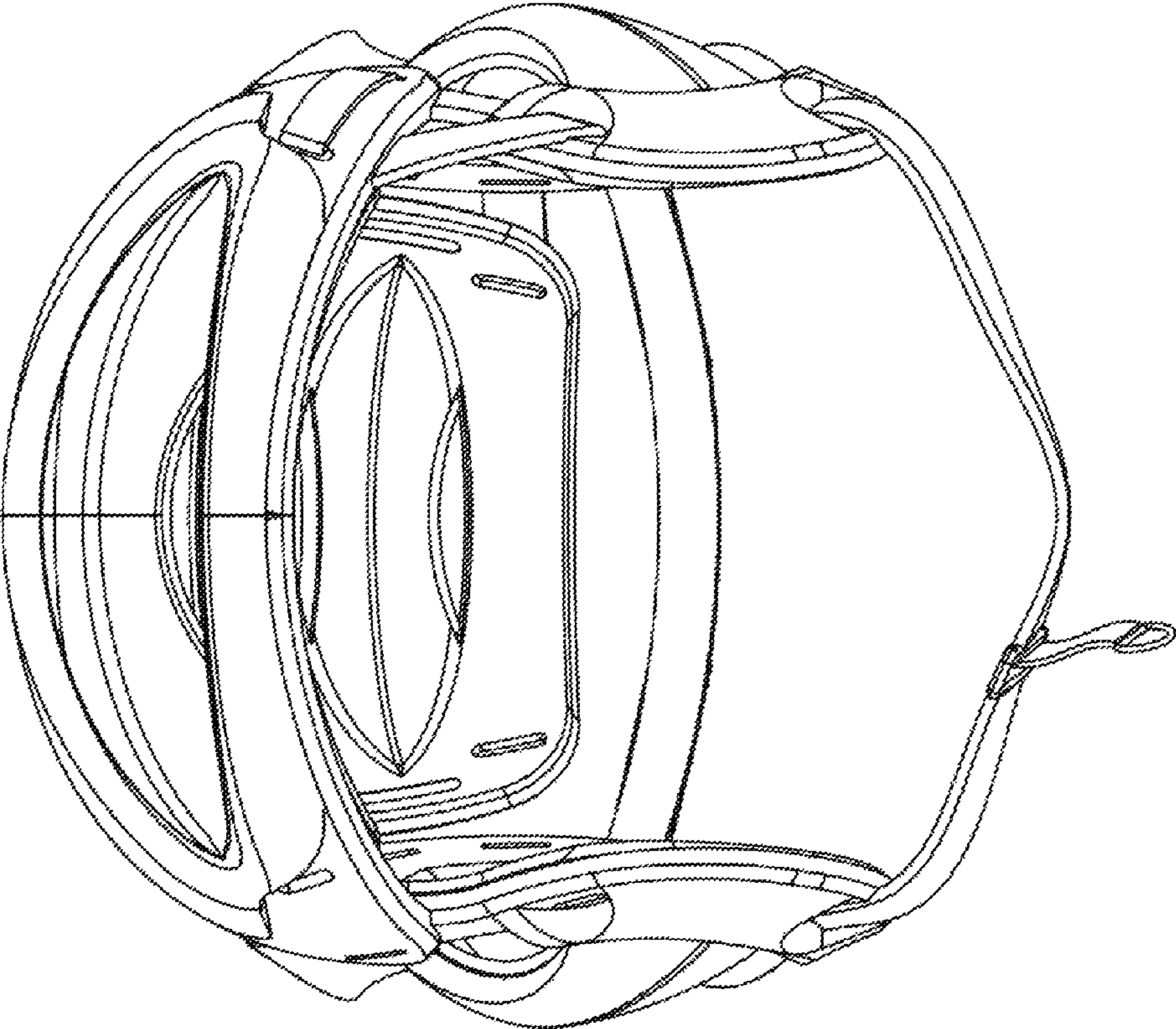


FIGURE 1

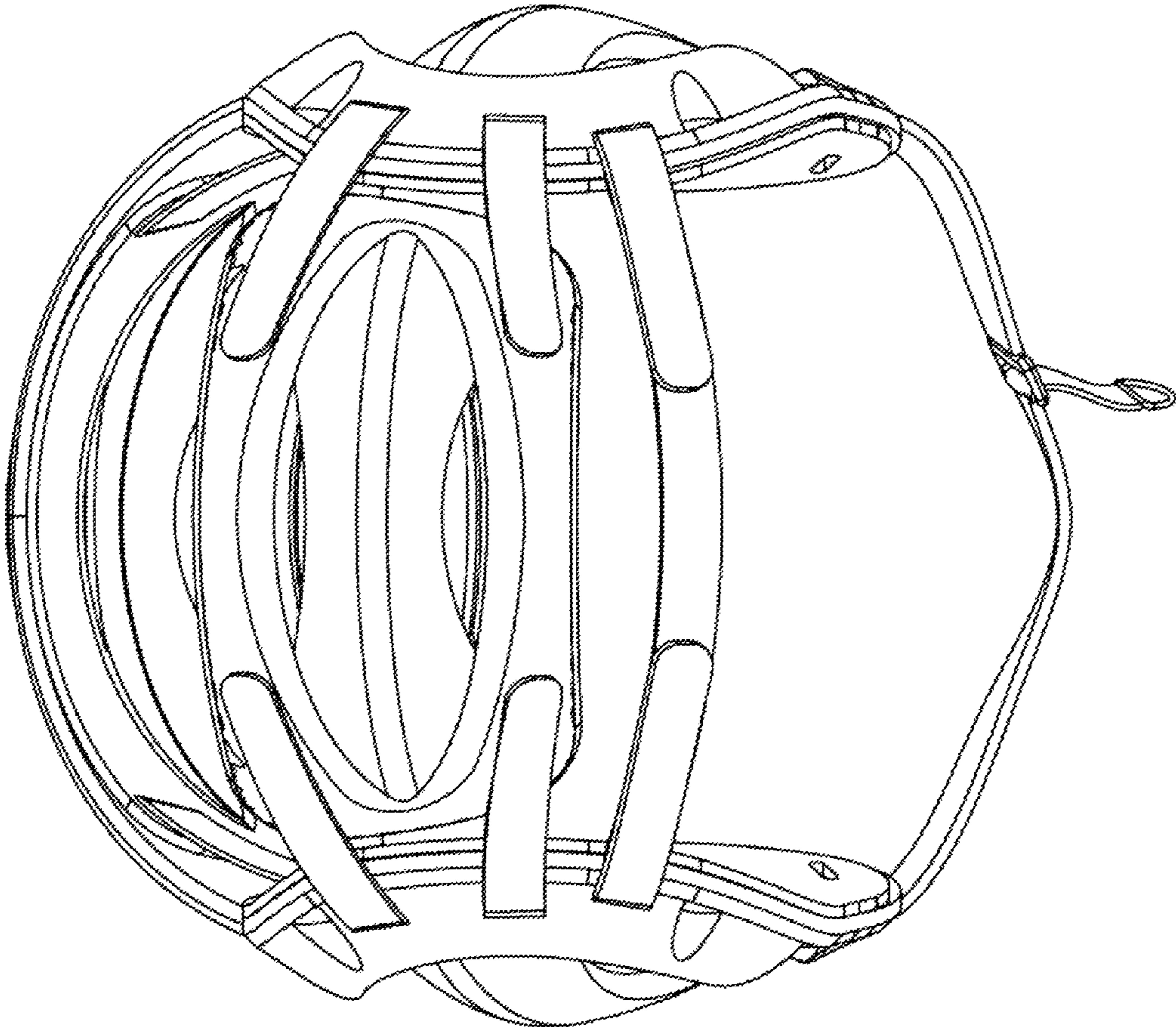


FIGURE 2

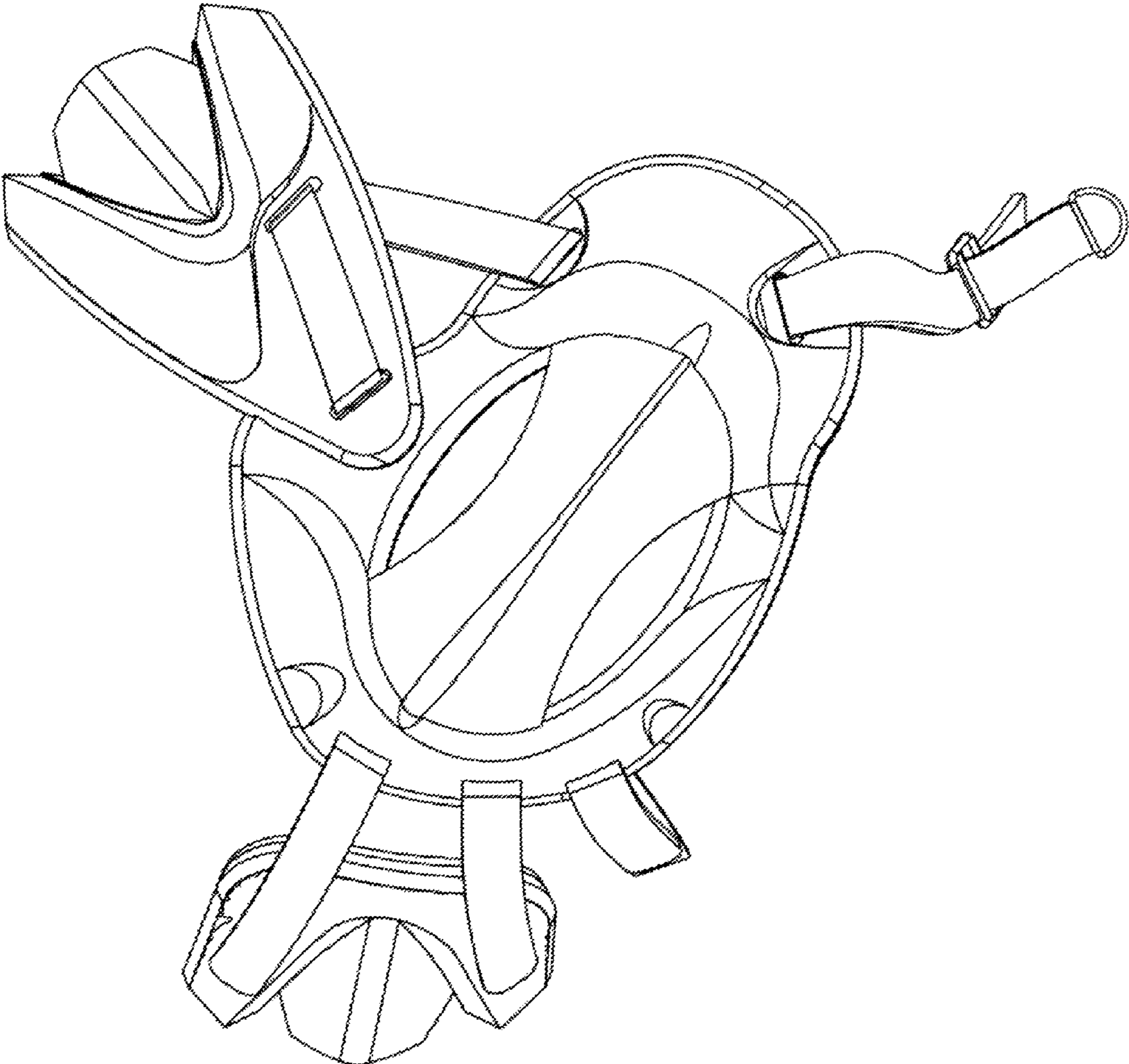


FIGURE 3

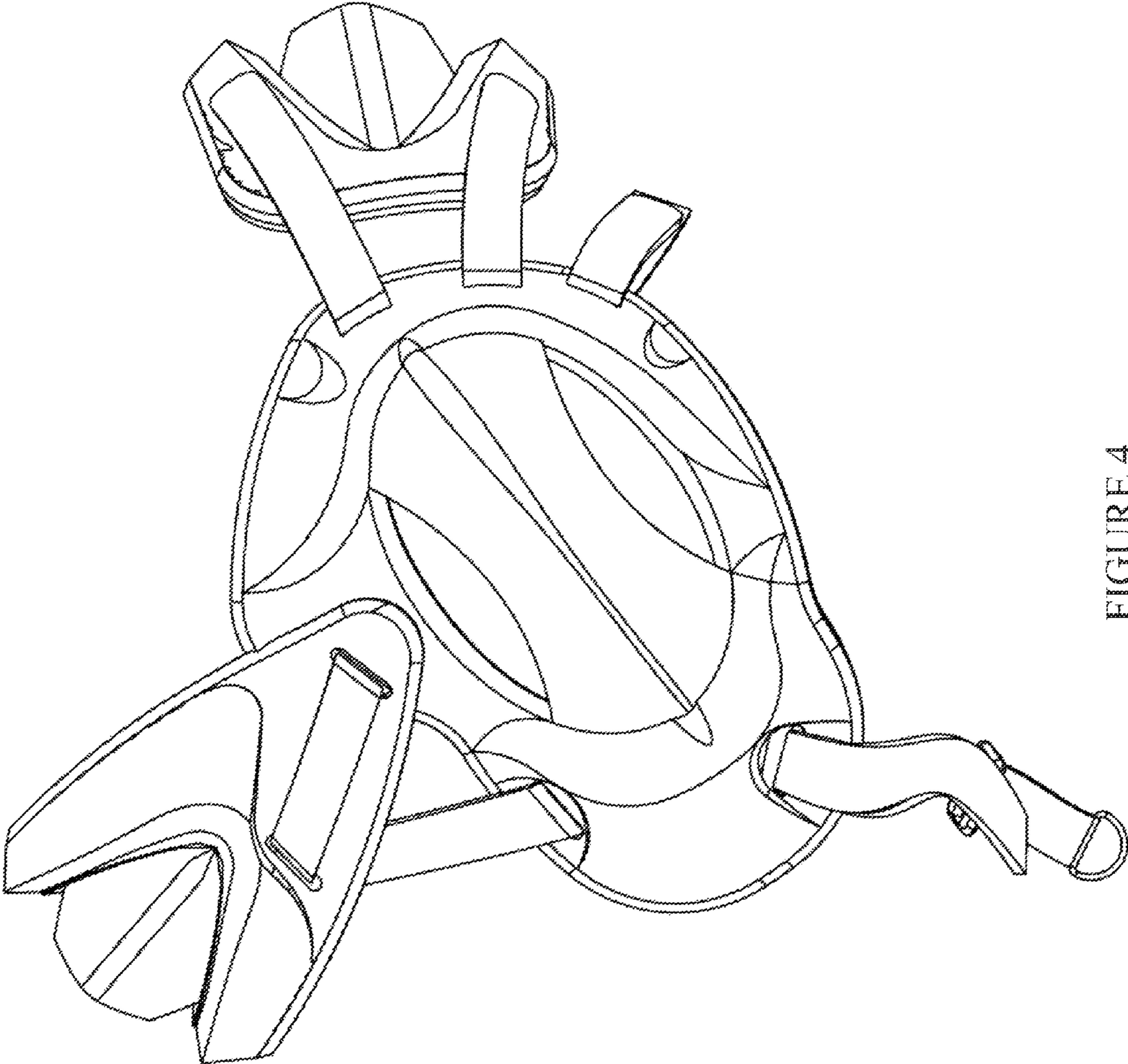


FIGURE 4

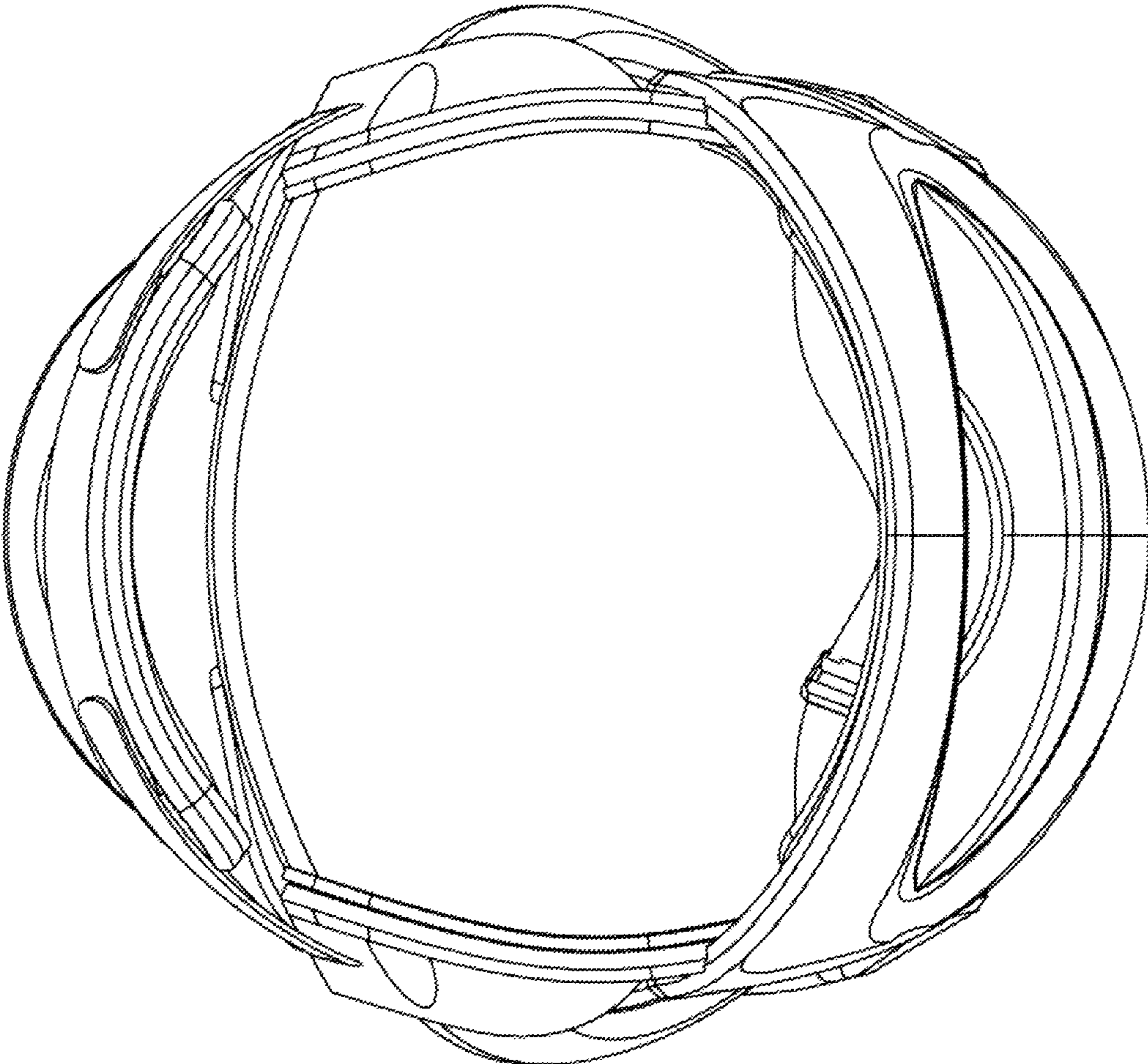


FIGURE 5

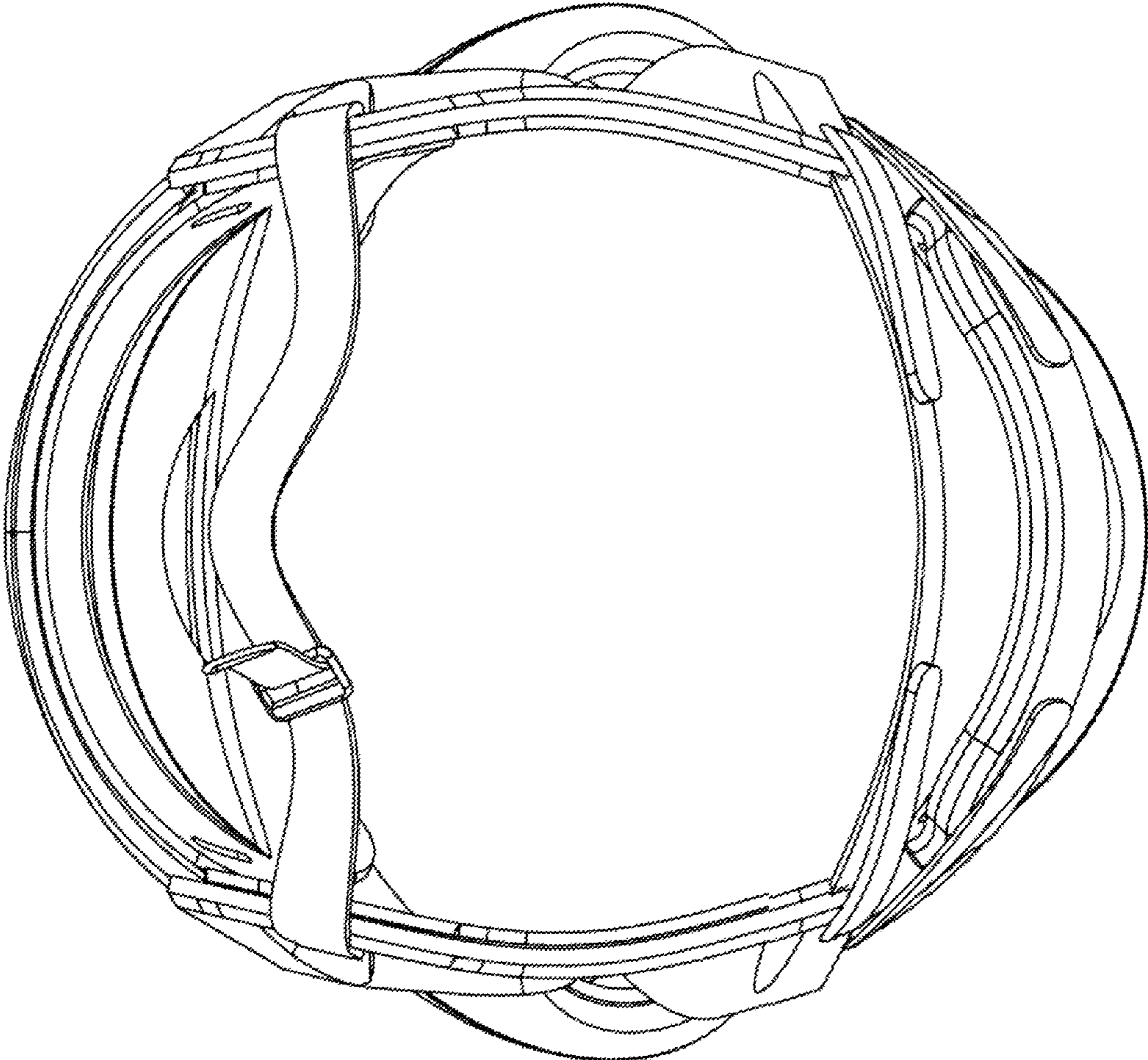


FIGURE 6

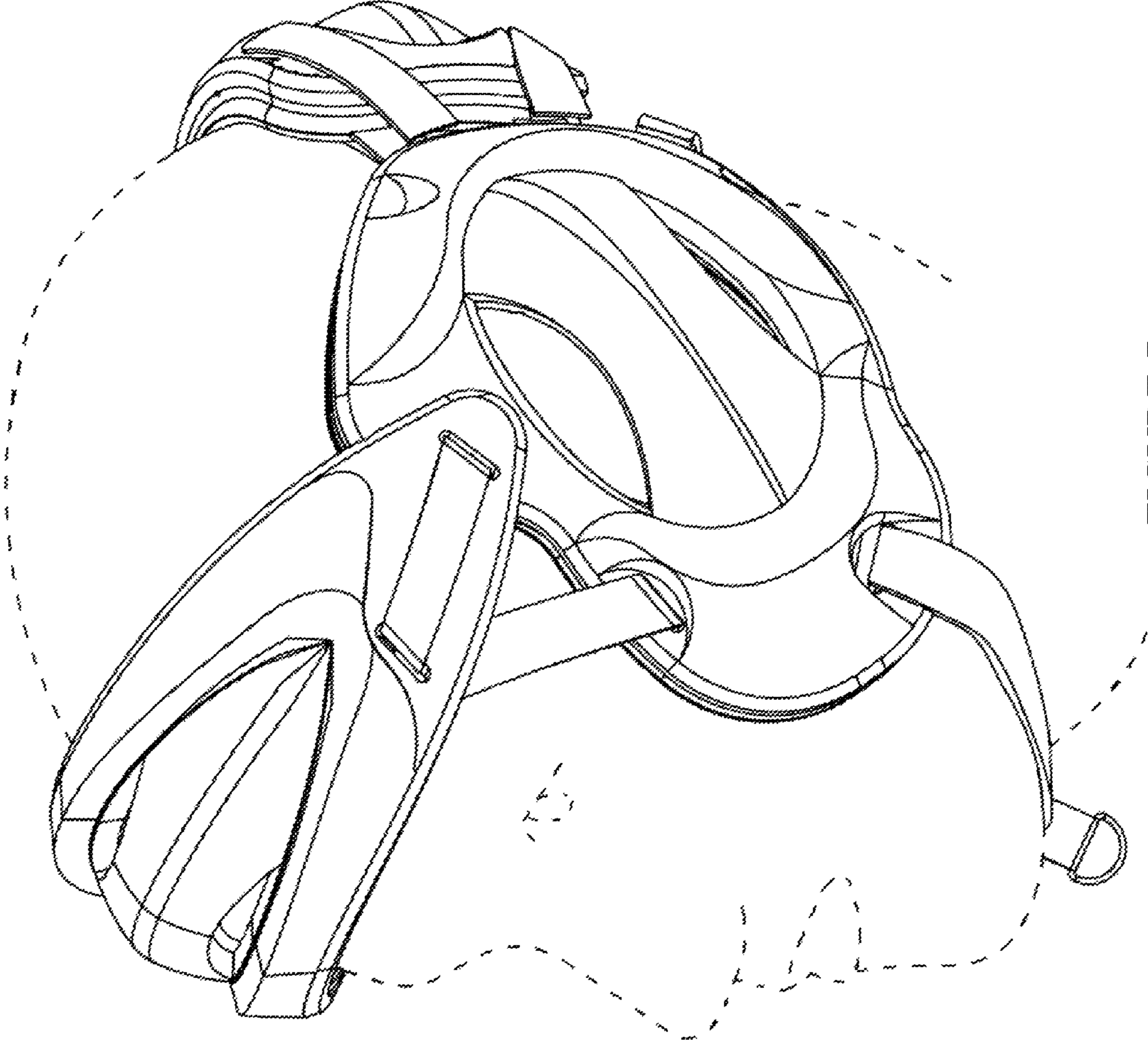


FIGURE 7