



US00D684726S

(12) **United States Design Patent**
Kuever et al.

(10) **Patent No.:** **US D684,726 S**
(45) **Date of Patent:** **** Jun. 18, 2013**

(54) **INFANT CAREGIVER SOFT PROTECTIVE GARMENT**

(76) Inventors: **Linda A. Kuever**, Lake Forest, IL (US);
Roy W. Kuever, Lake Forest, IL (US)

(**) Term: **14 Years**

(21) Appl. No.: **29/418,792**

(22) Filed: **Apr. 20, 2012**

(51) **LOC (9) Cl.** **09-03**

(52) **U.S. Cl.**
USPC **D29/101.2**

(58) **Field of Classification Search**
USPC D29/10, 11, 101.2, 101.3; 2/2, 2.5,
2/44, 45, 416, 455, 459, 462; D2/25, 27
See application file for complete search history.

(56) **References Cited**

U.S. PATENT DOCUMENTS

2,417,888	A	3/1947	Schuster	
2,468,841	A	5/1949	Siegel	
2,563,420	A	8/1951	Roe	
2,763,870	A	9/1956	Mitchell	
2,802,216	A	8/1957	Vogel	
2,808,589	A	10/1957	Tyroler	
2,858,545	A	11/1958	Silverman	
2,902,695	A	9/1959	Werner	
2,986,738	A	6/1961	Zubiate	
3,083,372	A	4/1963	Filiatreau	
4,285,067	A	8/1981	David	
4,411,025	A	10/1983	Magidson	
D284,516	S *	7/1986	Dyer	D29/101.2
4,651,349	A	3/1987	Heiler	
D298,365	S *	11/1988	Acerbis	D29/101.2
4,989,265	A *	2/1991	Nipper et al.	2/462
5,008,960	A	4/1991	Hemming	
D317,368	S *	6/1991	Henson	D29/101.2
5,063,941	A *	11/1991	White	128/869
D329,508	S *	9/1992	Fair	D29/101.2

(Continued)

OTHER PUBLICATIONS

Sports Unlimited Inc. Football Shoulder Pads, <www.sportsunlimited.com>. Date: Copyright 1998-2012.

(Continued)

Primary Examiner — Raphael Barkai
Assistant Examiner — Randall Gholson

(74) *Attorney, Agent, or Firm* — Jansson Munger McKinley & Shape Ltd.

(57) **CLAIM**

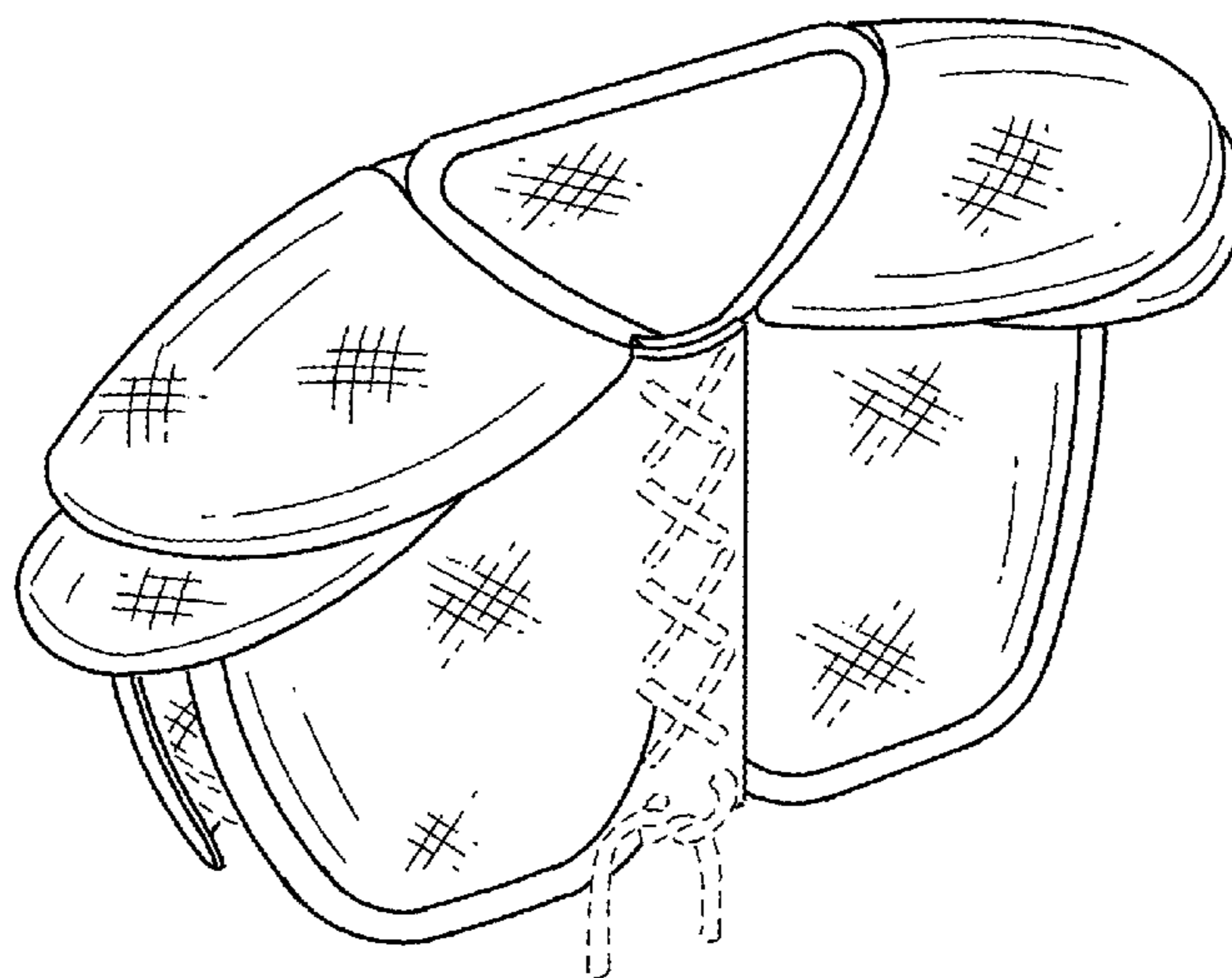
The ornamental design for an infant caregiver soft protective garment, as shown and described.

DESCRIPTION

FIG. 1 is a perspective view of the infant caregiver soft protective garment;
FIG. 2 is a front elevation view of the infant caregiver soft protective garment of FIG. 1, an infant caregiver is shown in phantom lines;
FIG. 3 is a front elevation view of the infant caregiver soft protective garment of FIG. 1;
FIG. 4 is a rear elevation view of the infant caregiver soft protective garment of FIG. 1;
FIG. 5 is a top plan view of the infant caregiver soft protective garment of FIG. 1;
FIG. 6 is a bottom plan view of the infant caregiver soft protective garment of FIG. 1;
FIG. 7 is a left side elevation view of the infant caregiver soft protective garment of FIG. 1; and,
FIG. 8 is a right side elevation view of the infant caregiver soft protective garment of FIG. 1.

The phantom lines form no part of the claimed design. The ornamental design for an infant caregiver soft protective garment is shown in the attached drawings. The body and epaulets of the infant caregiver protective garment are of soft material and the drawings include crisscross markings indicative of soft material.

1 Claim, 5 Drawing Sheets



US D684,726 S

Page 2

U.S. PATENT DOCUMENTS

5,146,621 A 9/1992 Hadar et al.
5,459,877 A 10/1995 Roberti
5,570,474 A 11/1996 Berry et al.
5,573,153 A 11/1996 Stillman
5,960,471 A 10/1999 Burton
6,067,665 A * 5/2000 DePalma et al. 2/468
6,202,214 B1 3/2001 Light
6,327,712 B1 12/2001 Armstrong et al.
6,345,392 B1 2/2002 Rios
6,484,325 B1 * 11/2002 Lazarus et al. 2/462
6,678,895 B1 1/2004 Grilliot et al.
D492,819 S * 7/2004 Beland D29/122
6,990,686 B2 1/2006 Palmer
7,316,035 B2 1/2008 Archambault
7,640,598 B1 1/2010 Mallik
7,640,600 B2 1/2010 Reder
D611,682 S 3/2010 Cutler
7,765,609 B2 8/2010 Chase
D623,383 S 9/2010 Rojas

D627,951 S 11/2010 Chesal et al.
D636,152 S 4/2011 Wilson Watkins et al.
D649,291 S * 11/2011 Cappuccio D29/101.2
2004/0025220 A1 2/2004 Palmer
2005/0066405 A1 3/2005 Babiak

OTHER PUBLICATIONS

The Mad Max Guide to Football Shoulder Pads, <www.madmaxcostumes.com/pads.htm>. Date: Unknown.
Riddell, EVX Shoulder Pads, <www.riddell.com/shop/evx>. Date: Unknown.
Sports Authority, Shoulder Pads, <www.sportsauthority.com>. Date: Unknown.
U.S. Appl. No. 29/418,790, filed Apr. 20, 2012.
U.S. Appl. No. 29/418,794, filed Apr. 20, 2012.
U.S. Appl. No. 61/636,235, filed Apr. 20, 2012.

* cited by examiner

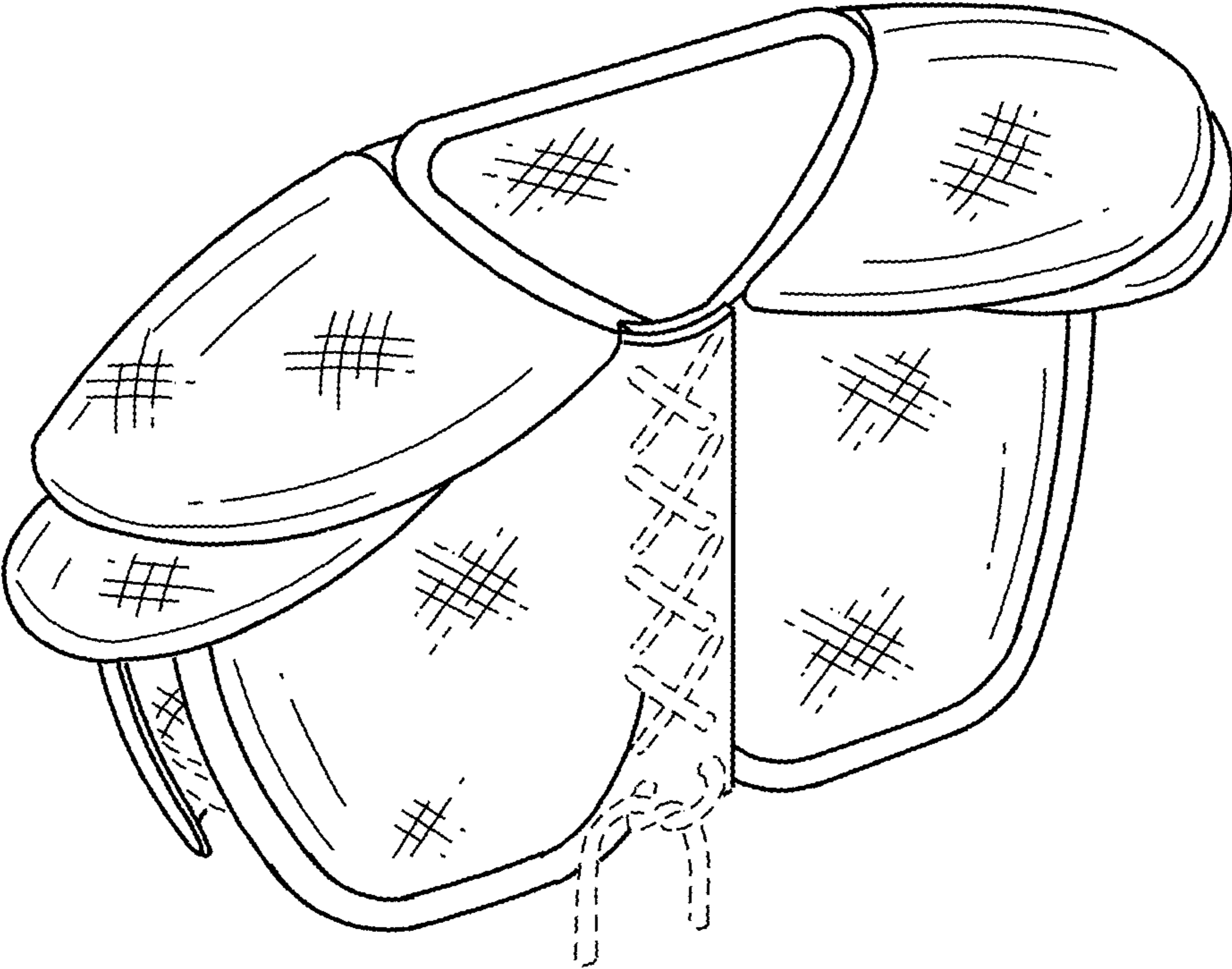


FIG. 1

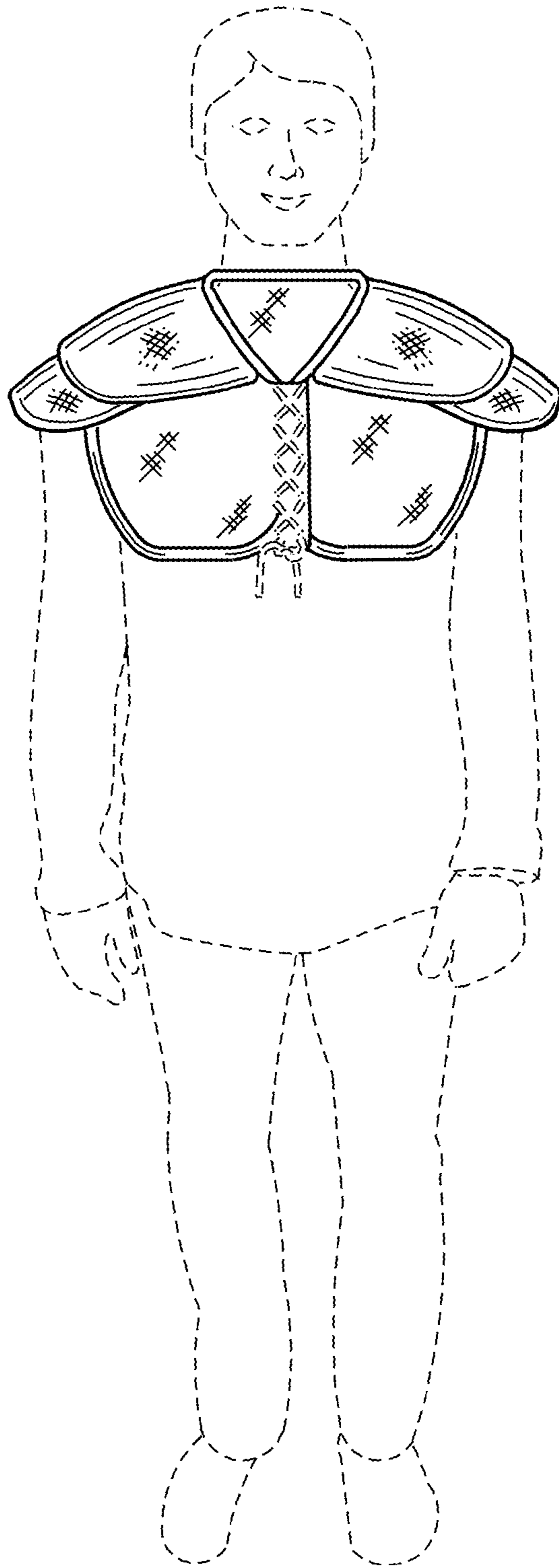


FIG. 2

FIG. 3

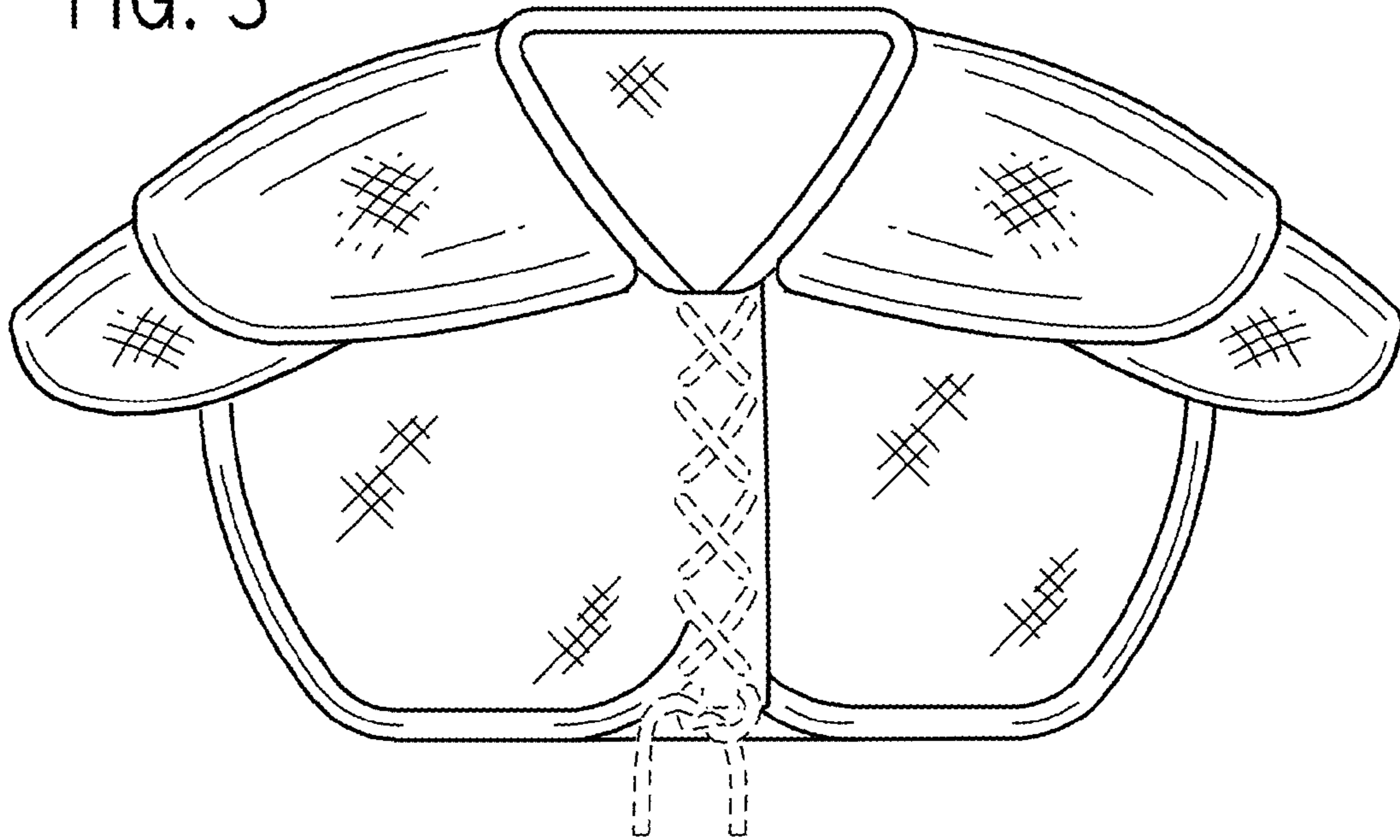
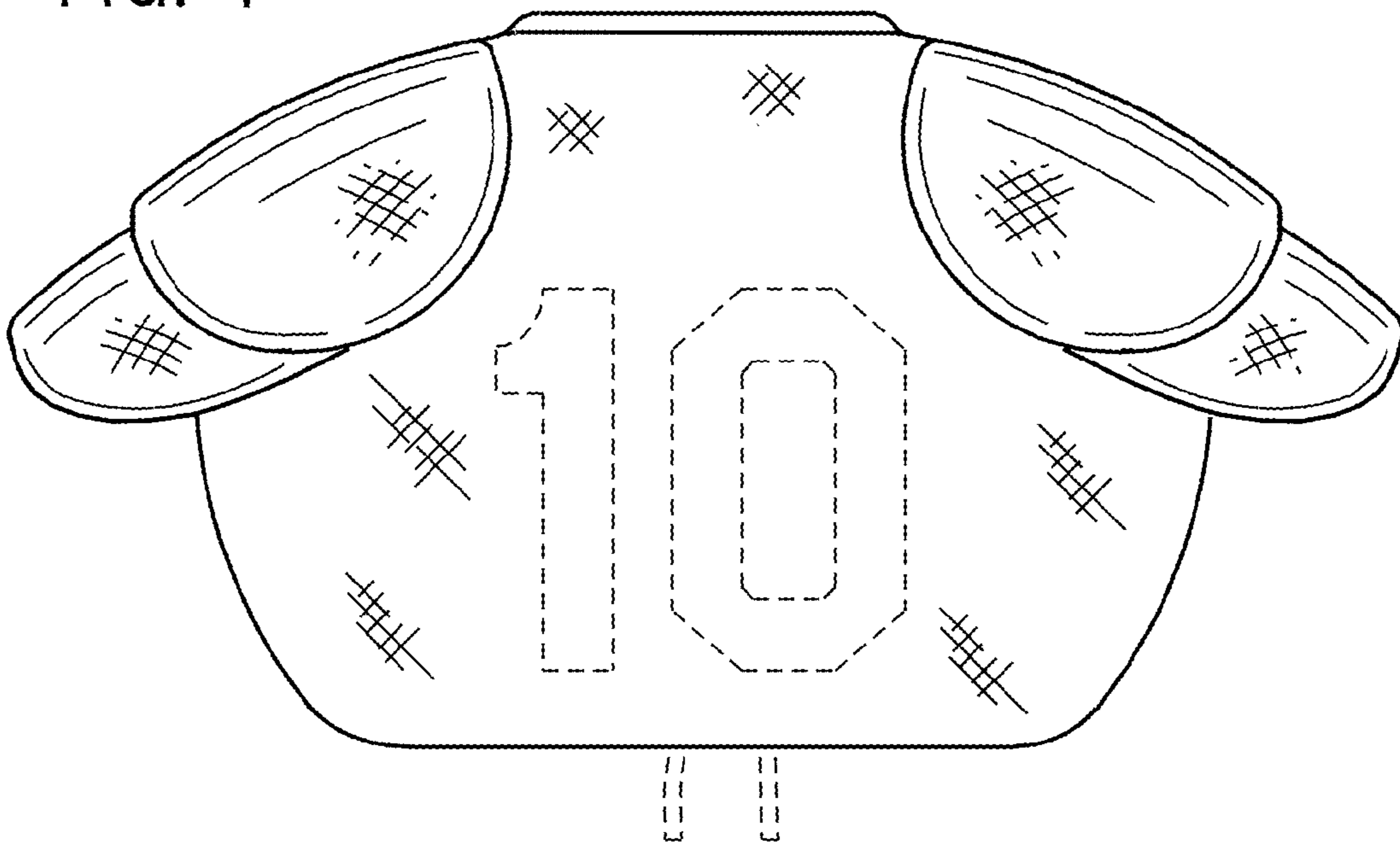


FIG. 4



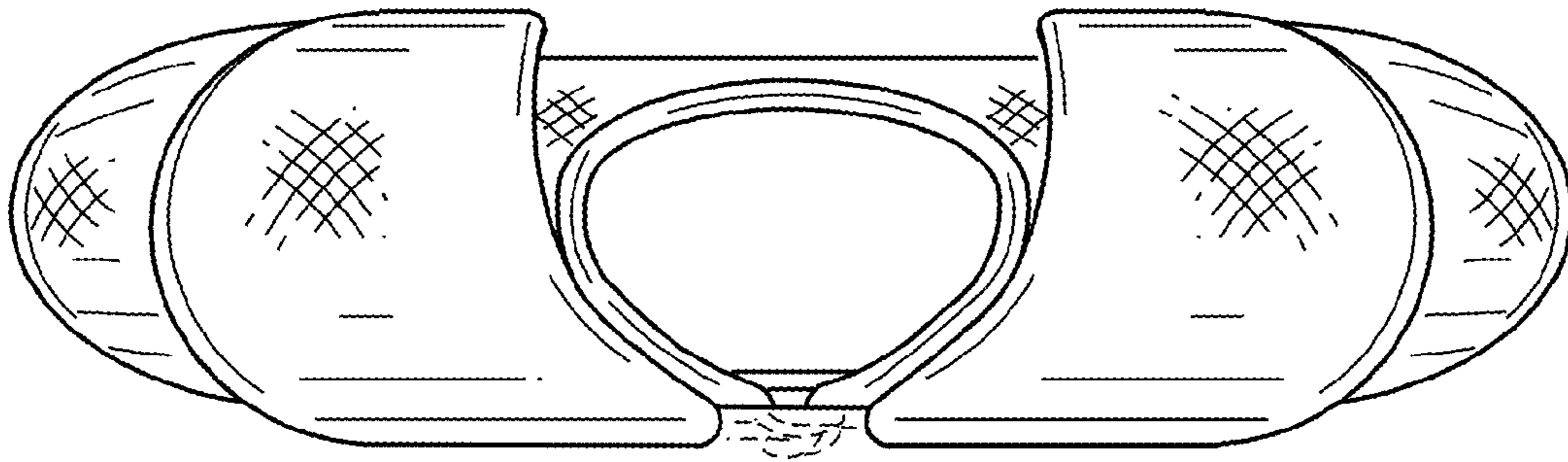


FIG. 5

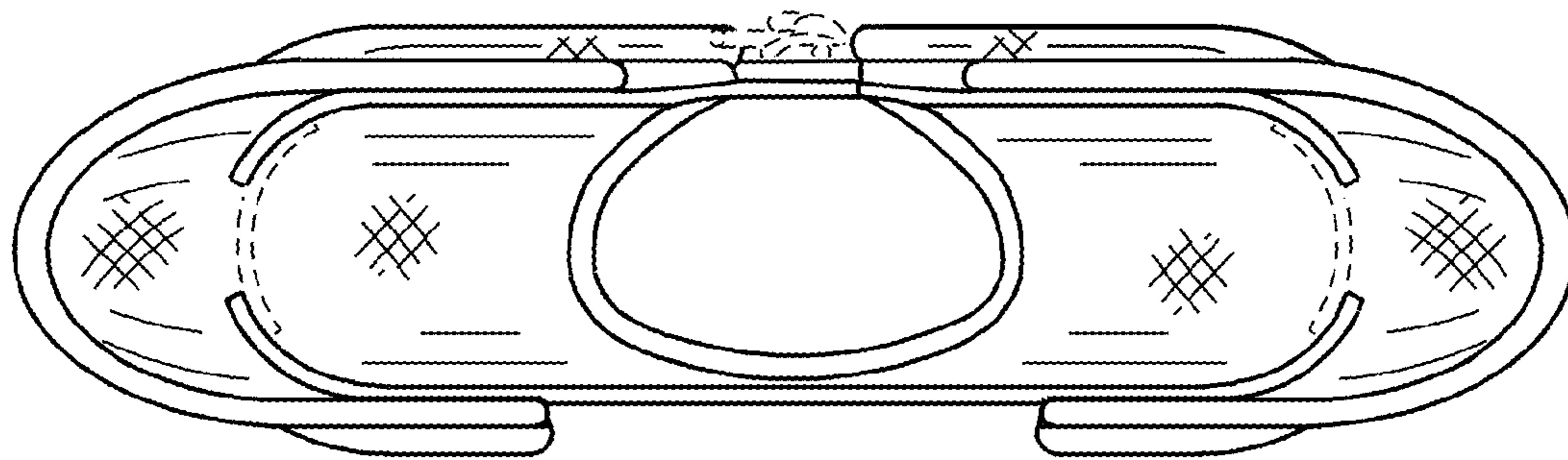


FIG. 6

FIG. 7

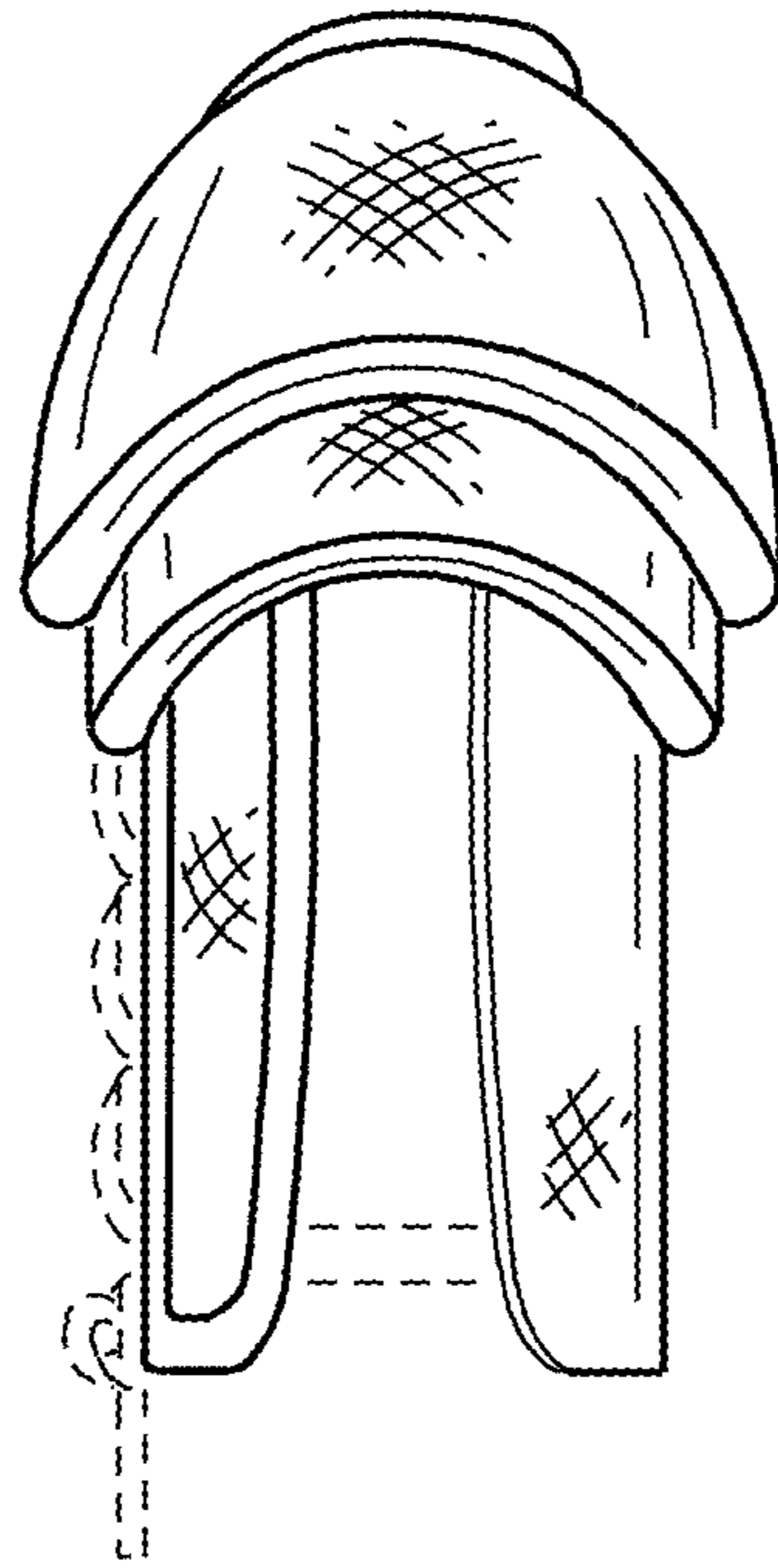


FIG. 8

