



US00D684725S

(12) **United States Design Patent**  
**Kuever et al.**

(10) **Patent No.:** **US D684,725 S**  
(45) **Date of Patent:** **\*\* Jun. 18, 2013**

(54) **INFANT CAREGIVER SOFT PROTECTIVE GARMENT**

5,960,471 A 10/1999 Burton  
6,175,967 B1 \* 1/2001 Donzis ..... 2/413  
6,202,214 B1 3/2001 Light

(76) Inventors: **Linda A. Kuever**, Lake Forest, IL (US);  
**Roy W. Kuever**, Lake Forest, IL (US)

(Continued)

(\*\*) Term: **14 Years**

**OTHER PUBLICATIONS**

U.S. Appl. No. 29/418,792, filed Apr. 20, 2012.

(21) Appl. No.: **29/418,790**

(Continued)

(22) Filed: **Apr. 20, 2012**

*Primary Examiner* — Raphael Barkai

(51) **LOC (9) Cl.** ..... **09-03**

*Assistant Examiner* — Randall Gholson

(52) **U.S. Cl.**

(74) *Attorney, Agent, or Firm* — Jansson Munger McKinley & Shape Ltd.

USPC ..... **D29/101.2**

(58) **Field of Classification Search**

USPC ..... D29/10, 11, 101.2, 101.3; 2/2, 2.5,  
2/44, 45, 416, 455, 459, 462; D2/25, 27  
See application file for complete search history.

(57) **CLAIM**

The ornamental design for an infant caregiver soft protective garment, as shown and described.

(56) **References Cited**

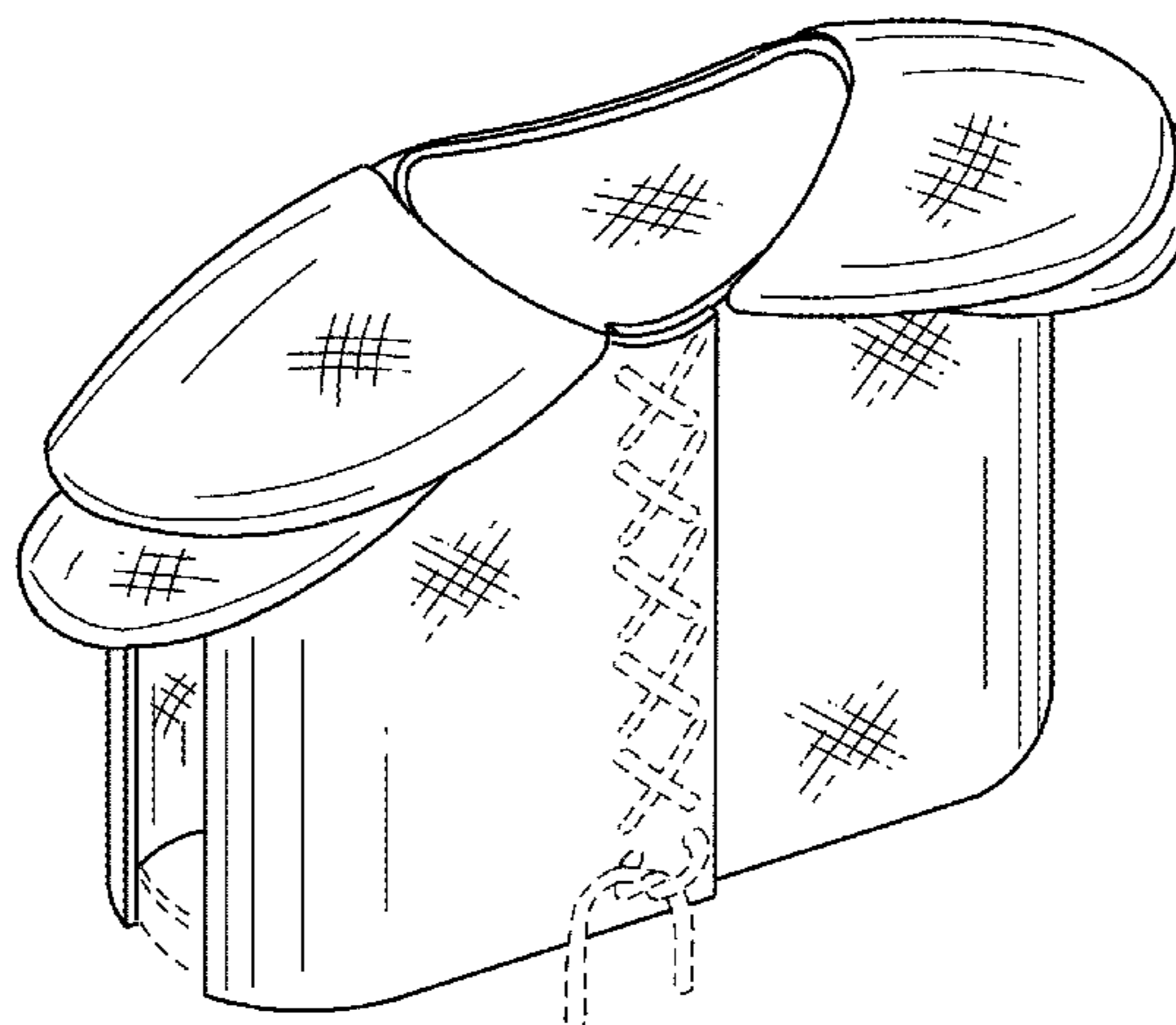
**DESCRIPTION**

**U.S. PATENT DOCUMENTS**

2,417,888	A	3/1947	Schuster	
2,468,841	A	5/1949	Siegel	
2,563,420	A	8/1951	Roe	
2,763,870	A	9/1956	Mitchell	
2,802,216	A	8/1957	Vogel	
2,808,589	A	10/1957	Tyroler	
2,858,545	A	11/1958	Silverman	
2,902,695	A	9/1959	Werner	
2,986,738	A	6/1961	Zubiate	
3,083,372	A	4/1963	Filiatreau	
4,285,067	A	8/1981	David	
4,411,025	A	10/1983	Magidson	
4,651,349	A	3/1987	Heiler	
5,008,960	A	4/1991	Hemming	
5,054,121	A *	10/1991	Mitchell	2/462
5,063,941	A *	11/1991	White	128/869
D329,508	S *	9/1992	Fair	D29/101.2
5,146,621	A *	9/1992	Hadar et al.	2/462
5,390,368	A *	2/1995	Chang	2/462
5,459,877	A	10/1995	Roberti	
5,570,474	A	11/1996	Berry et al.	
5,573,153	A	11/1996	Stillman	

FIG. 1 is a perspective view of the infant caregiver soft protective garment;  
FIG. 2 is a front elevation view of the infant caregiver soft protective garment of FIG. 1, an infant caregiver is shown in phantom lines;  
FIG. 3 is a front elevation view of the infant caregiver soft protective garment of FIG. 1;  
FIG. 4 is a rear elevation view of the infant caregiver soft protective garment of FIG. 1;  
FIG. 5 is a top plan view of the infant caregiver soft protective garment of FIG. 1;  
FIG. 6 is a bottom plan view of the infant caregiver soft protective garment of FIG. 1;  
FIG. 7 is a left side elevation view of the infant caregiver soft protective garment of FIG. 1; and,  
FIG. 8 is a right side elevation view of the infant caregiver soft protective garment of FIG. 1.  
The phantom lines form no part of the claimed design.

**1 Claim, 5 Drawing Sheets**



# US D684,725 S

Page 2

## U.S. PATENT DOCUMENTS

6,247,188 B1 \* 6/2001 Beland ..... 2/461  
6,327,712 B1 12/2001 Armstrong et al.  
6,345,392 B1 2/2002 Rios  
6,678,895 B1 1/2004 Grilliot et al.  
6,990,686 B2 1/2006 Palmer  
7,013,497 B1 \* 3/2006 Grant ..... 2/459  
D553,299 S \* 10/2007 Le Carpentier ..... D29/101.2  
D556,299 S \* 11/2007 Sutopo ..... D23/290  
7,316,035 B2 1/2008 Archambault  
D606,261 S \* 12/2009 Tobergte ..... D29/101.2  
7,640,598 B1 1/2010 Mallik  
7,640,600 B2 1/2010 Reder  
D611,682 S 3/2010 Cutler  
7,765,609 B2 8/2010 Chase  
D623,383 S 9/2010 Rojas  
7,797,760 B2 \* 9/2010 Morrow et al. .... 2/44  
D627,951 S 11/2010 Chesal et al.  
D636,152 S 4/2011 Wilson Watkins et al.

7,962,968 B2 \* 6/2011 Kordecki ..... 2/44  
2004/0025220 A1 2/2004 Palmer  
2005/0066405 A1 3/2005 Babiak

## OTHER PUBLICATIONS

U.S. Appl. No. 29/418,794, filed Apr. 20, 2012.  
U.S. Appl. No. 61/636,235, filed Apr. 20, 2012.  
Sports Unlimited Inc. Football Shoulder Pads, <www.sportsunlimitedinc.com>. Date: Copyright 1998-2012.  
The Mad Max Guide to Football Shoulder Pads, <www.madmaxcostumes.com/pads.htm>. Date: Unknown.  
Riddell, EVX Shoulder Pads, <www.riddell.com/shop/evx>. Date: Unknown.  
Sports Authority, Shoulder Pads, <www.sportsauthority.com>. Date: Unknown.

\* cited by examiner

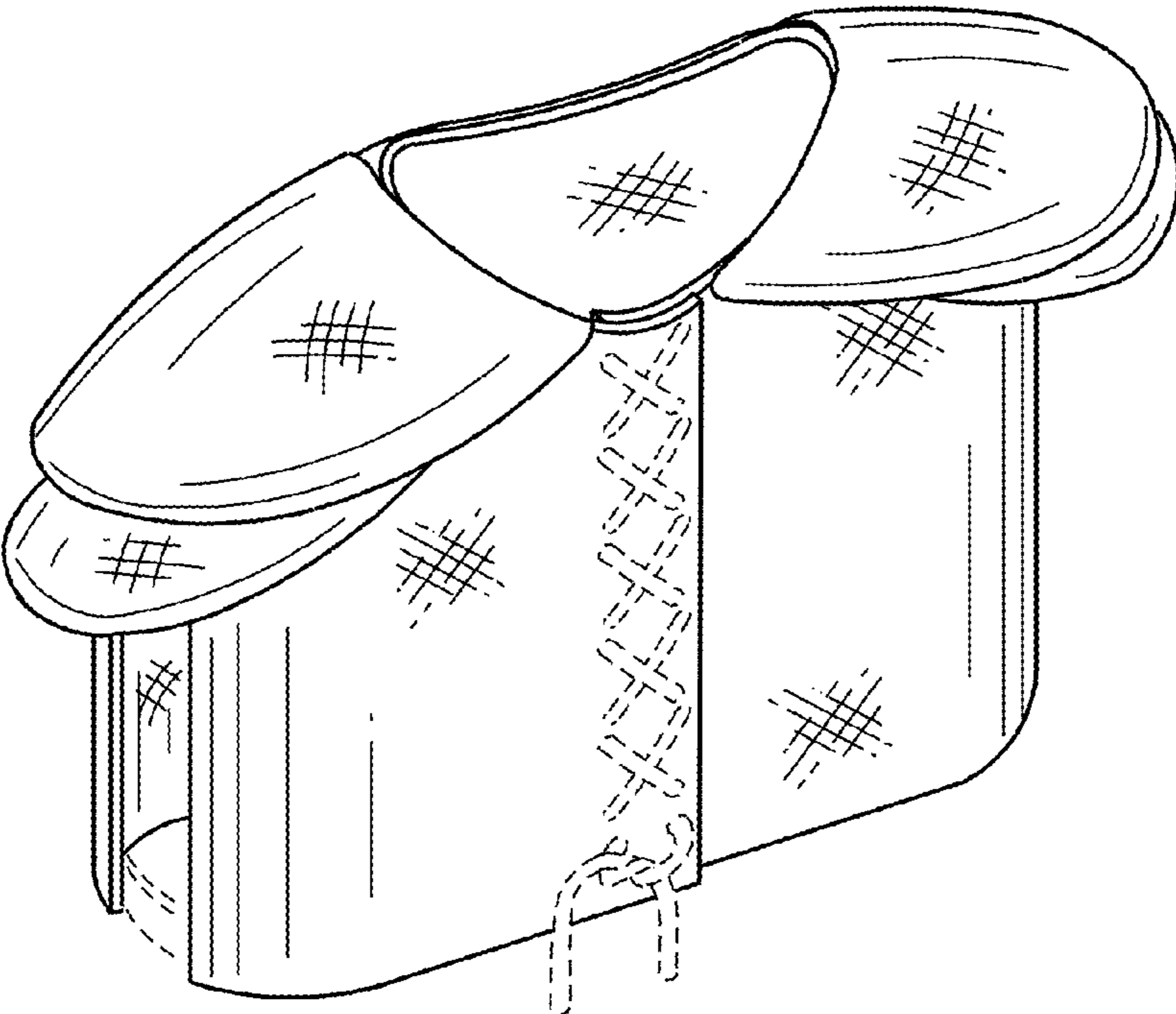


FIG. 1

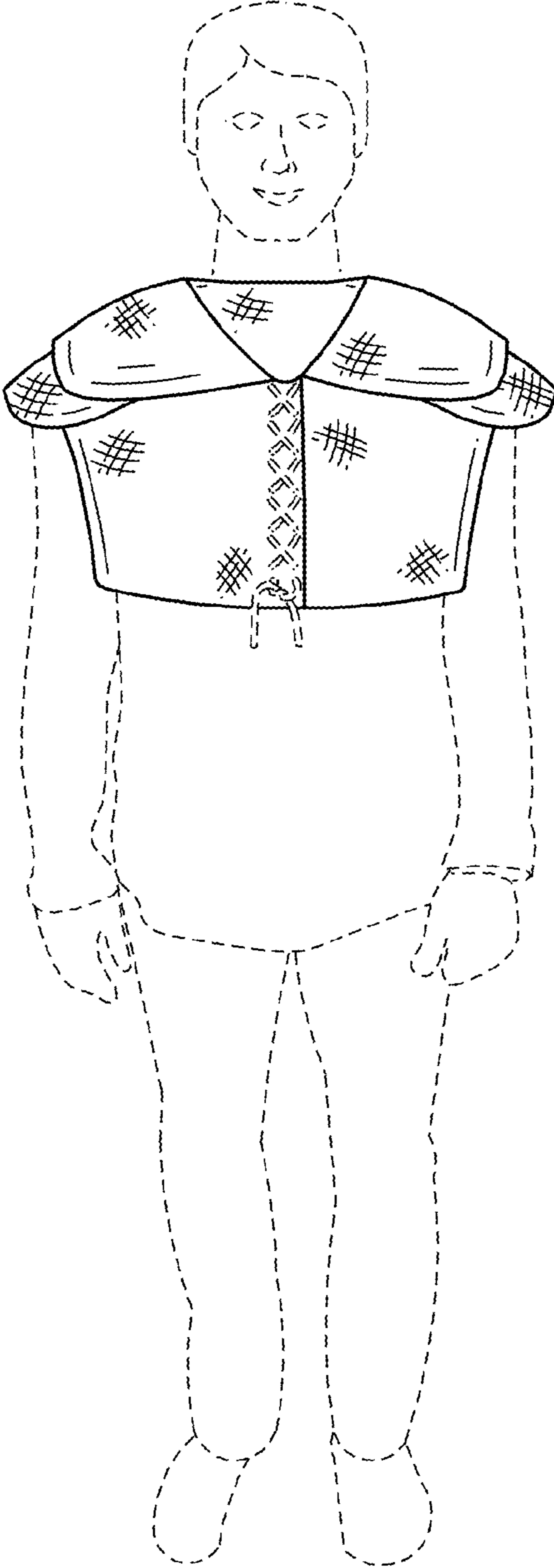


FIG. 2

FIG. 3

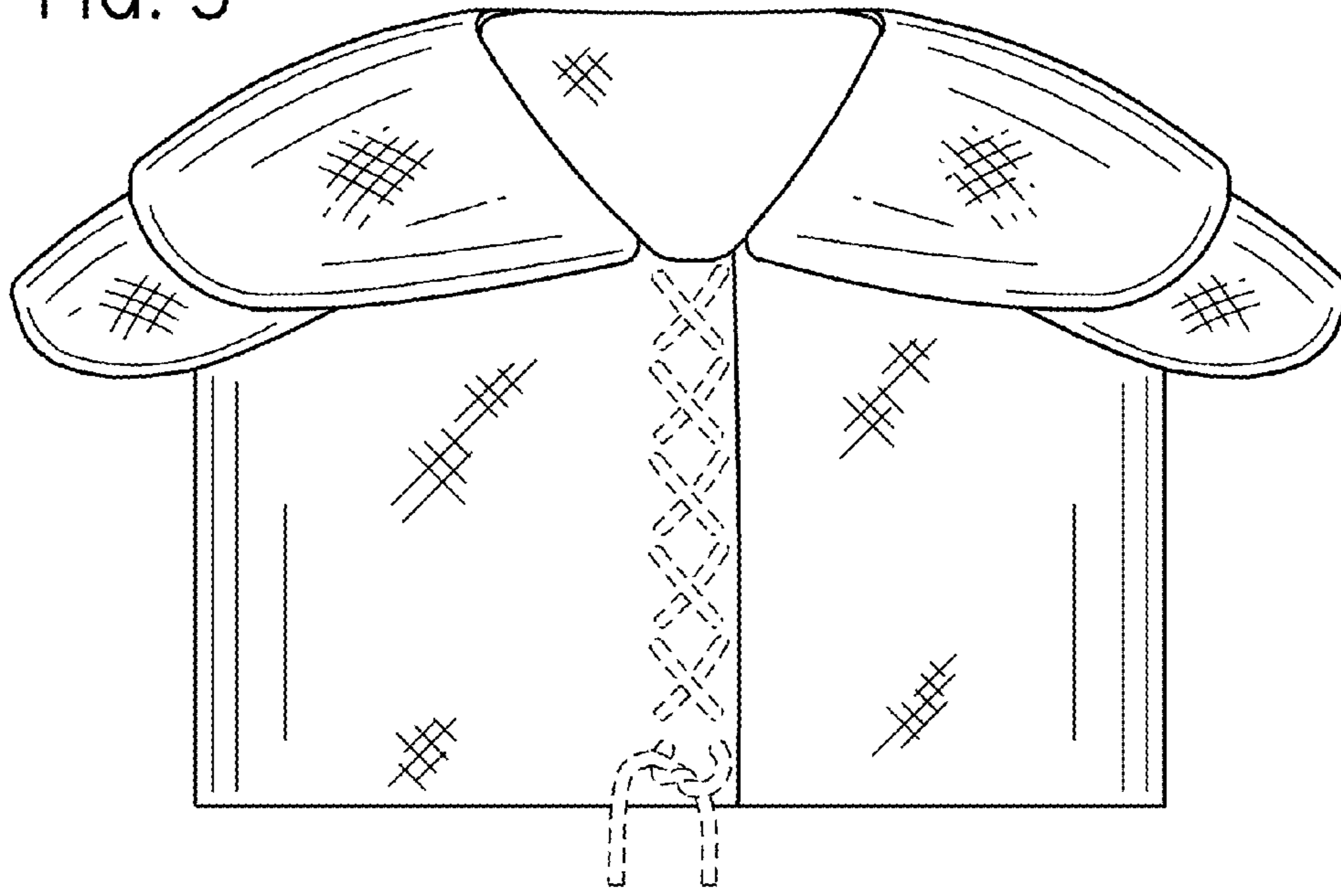
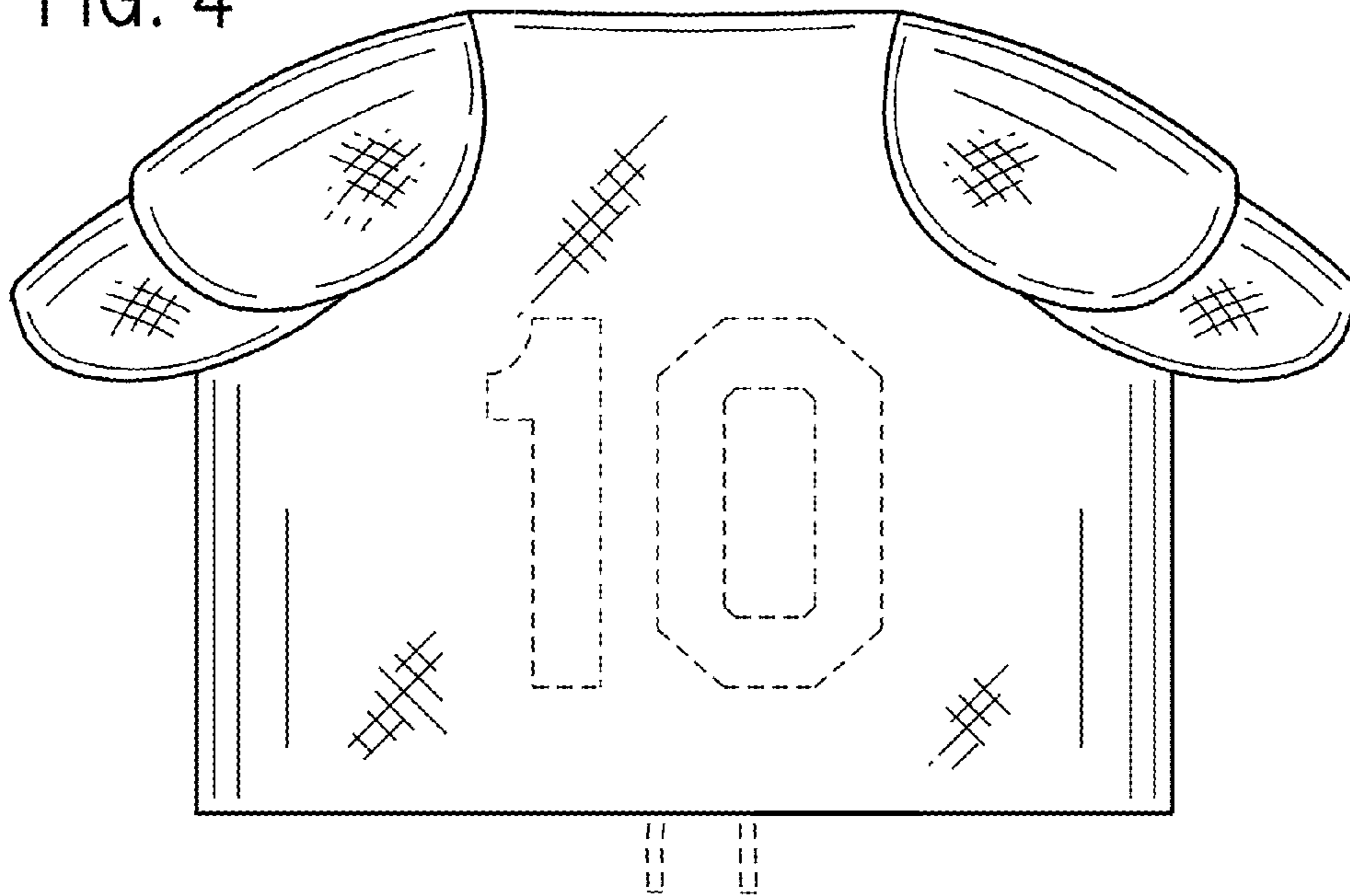


FIG. 4



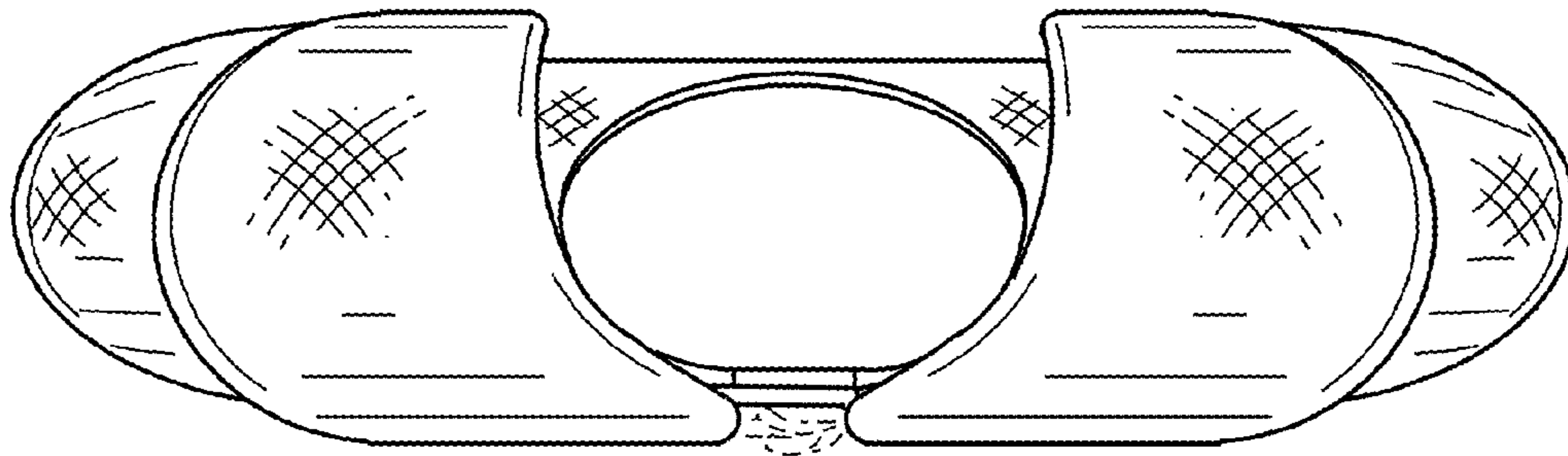


FIG. 5

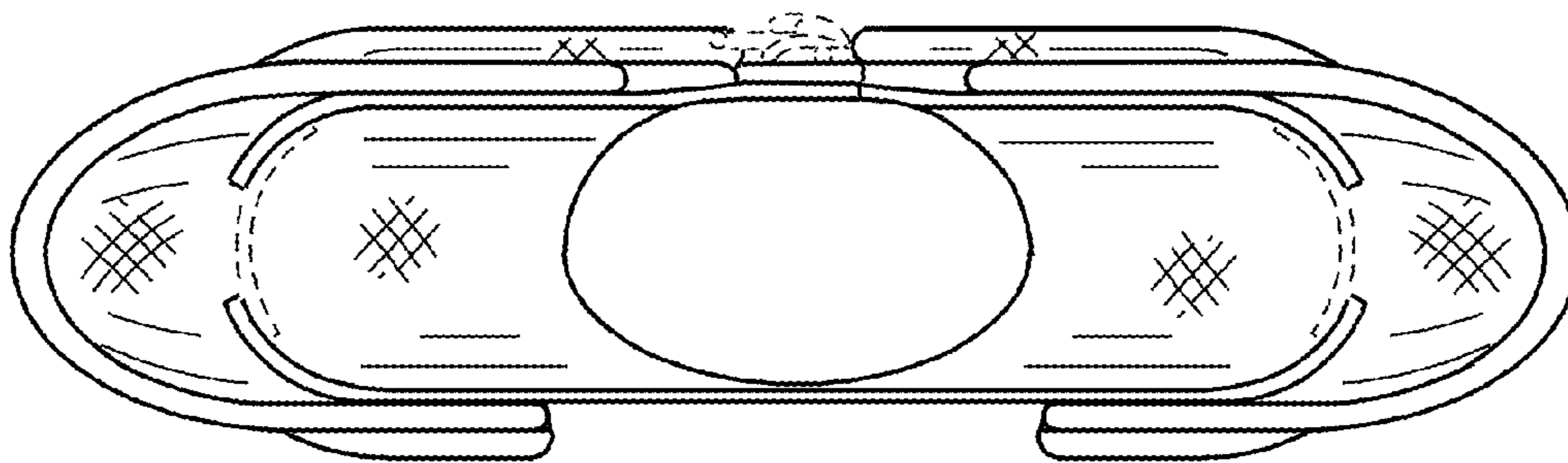


FIG. 6

FIG. 7

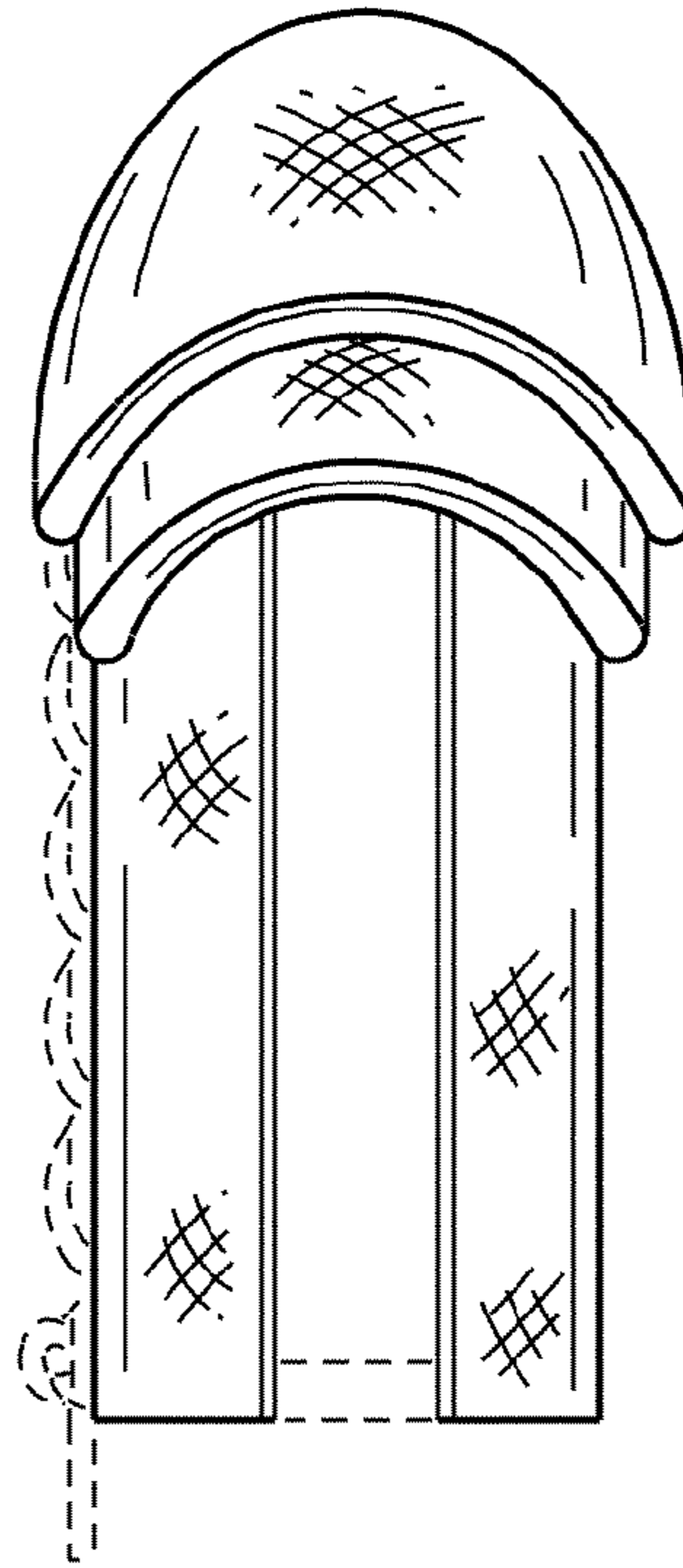
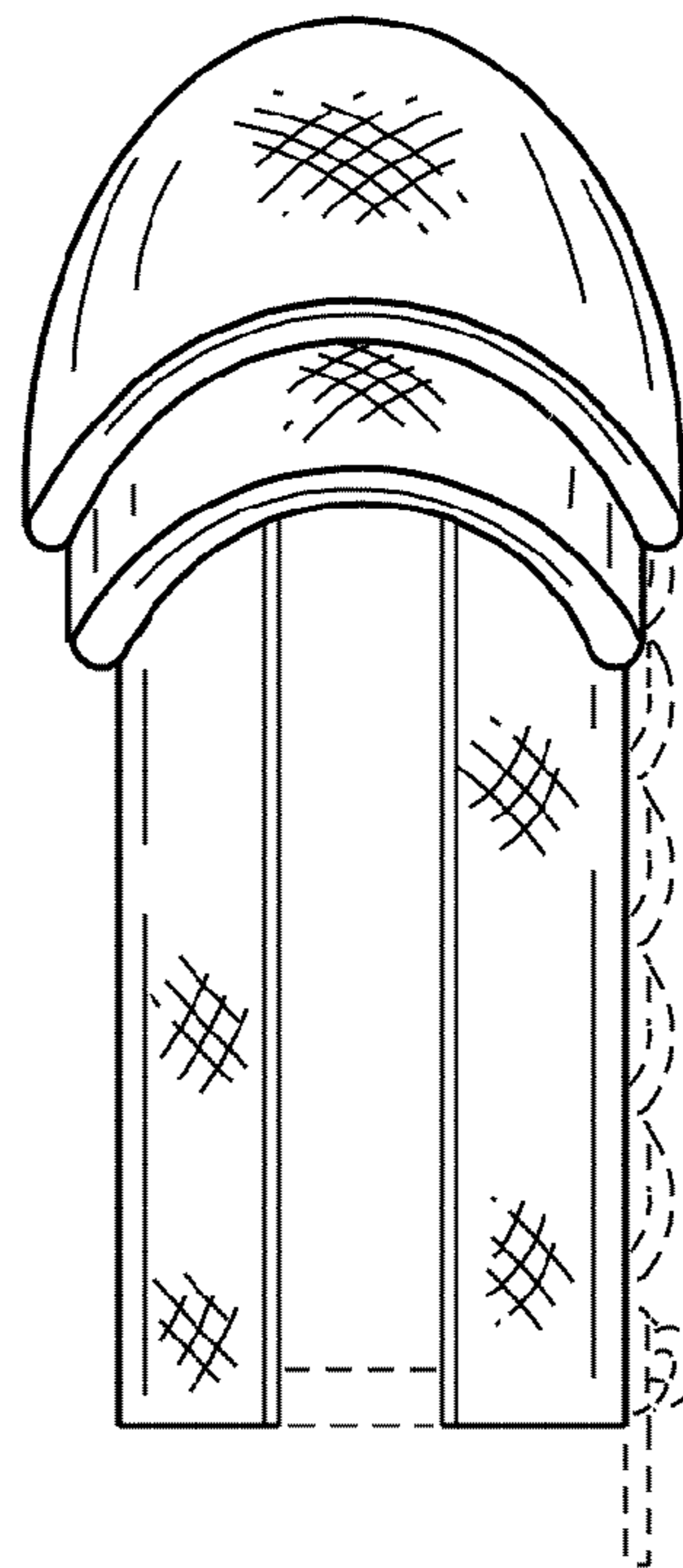


FIG. 8



UNITED STATES PATENT AND TRADEMARK OFFICE  
**CERTIFICATE OF CORRECTION**

PATENT NO. : D684,725 S  
APPLICATION NO. : 29/418790  
DATED : June 18, 2013  
INVENTOR(S) : Kuever et al.

Page 1 of 1

It is certified that error appears in the above-identified patent and that said Letters Patent is hereby corrected as shown below:

On the Title Page

In the Description, after the words, "The phantom lines form no part of the claimed design." insert the following, --The ornamental design for an infant caregiver soft protective garment is shown in the attached drawings. The body and epaulets of the infant caregiver protective garment are of soft material and the drawings include crisscross markings indicative of soft material.--.

Signed and Sealed this  
Twenty-ninth Day of April, 2014



Michelle K. Lee  
*Deputy Director of the United States Patent and Trademark Office*