



US00D684718S

(12) **United States Design Patent**
Ko

(10) **Patent No.:** **US D684,718 S**

(45) **Date of Patent:** **** Jun. 18, 2013**

(54) **LOW PROFILE SURFACE MOUNTED LIGHT
FIXTURE**

7,029,153 B2 * 4/2006 Rhee 362/490
D641,098 S * 7/2011 Wildner D26/89
D656,654 S * 3/2012 Wauters D26/89

(76) Inventor: **Wai-Shing Peter Ko**, Peachtree City,
GA (US)

* cited by examiner

(**) Term: **14 Years**

Primary Examiner — Clare E Heflin

(21) Appl. No.: **29/410,080**

(57) **CLAIM**

The ornamental design for a low profile surface mounted light fixture, as shown and described.

(22) Filed: **Jan. 4, 2012**

DESCRIPTION

(51) **LOC (9) Cl.** **26-05**

FIG. 1 is a perspective view of a low profile surface mounted light fixture, showing my invention.

(52) **U.S. Cl.**

USPC **D26/72**

FIG. 2 is a top plan view of the invention;

(58) **Field of Classification Search**

USPC D26/28, 72, 75, 76, 80, 89; 362/147,
362/488, 489, 490, 491, 492, 493

FIG. 3 is a bottom plan view of the invention;

See application file for complete search history.

FIG. 4 is left side elevation view of the invention taken from the left end of FIG. 1;

(56) **References Cited**

U.S. PATENT DOCUMENTS

D477,104 S * 7/2003 Wang D26/72
D484,270 S * 12/2003 Yiu D26/89
D489,466 S * 5/2004 Dohogne et al. D26/28
D492,047 S * 6/2004 Dohogne et al. D26/28
D496,487 S * 9/2004 Rhee D26/89
6,805,455 B2 * 10/2004 Nielsen et al. 359/877

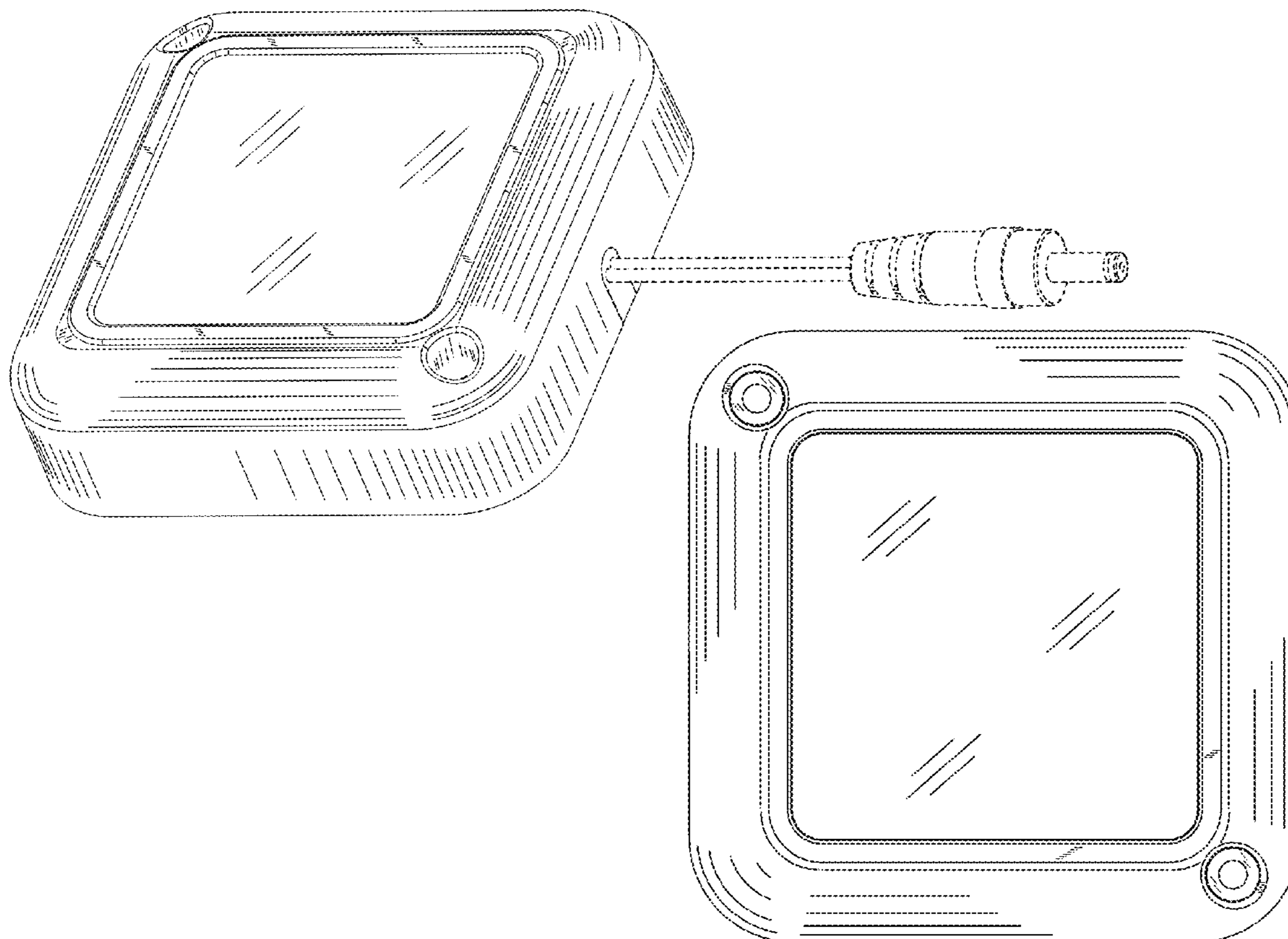
FIG. 5 is right side elevation view of the invention taken from the right end of FIG. 1;

FIG. 6 is a side elevation view of the invention taken from the top side of FIG. 1; and,

FIG. 7 is a side elevation view of the invention taken from the lower side of FIG. 1.

An optional cable with connector is shown in broken lines for the purpose of illustrating environmental structure only and forms no part of the claimed design.

1 Claim, 4 Drawing Sheets



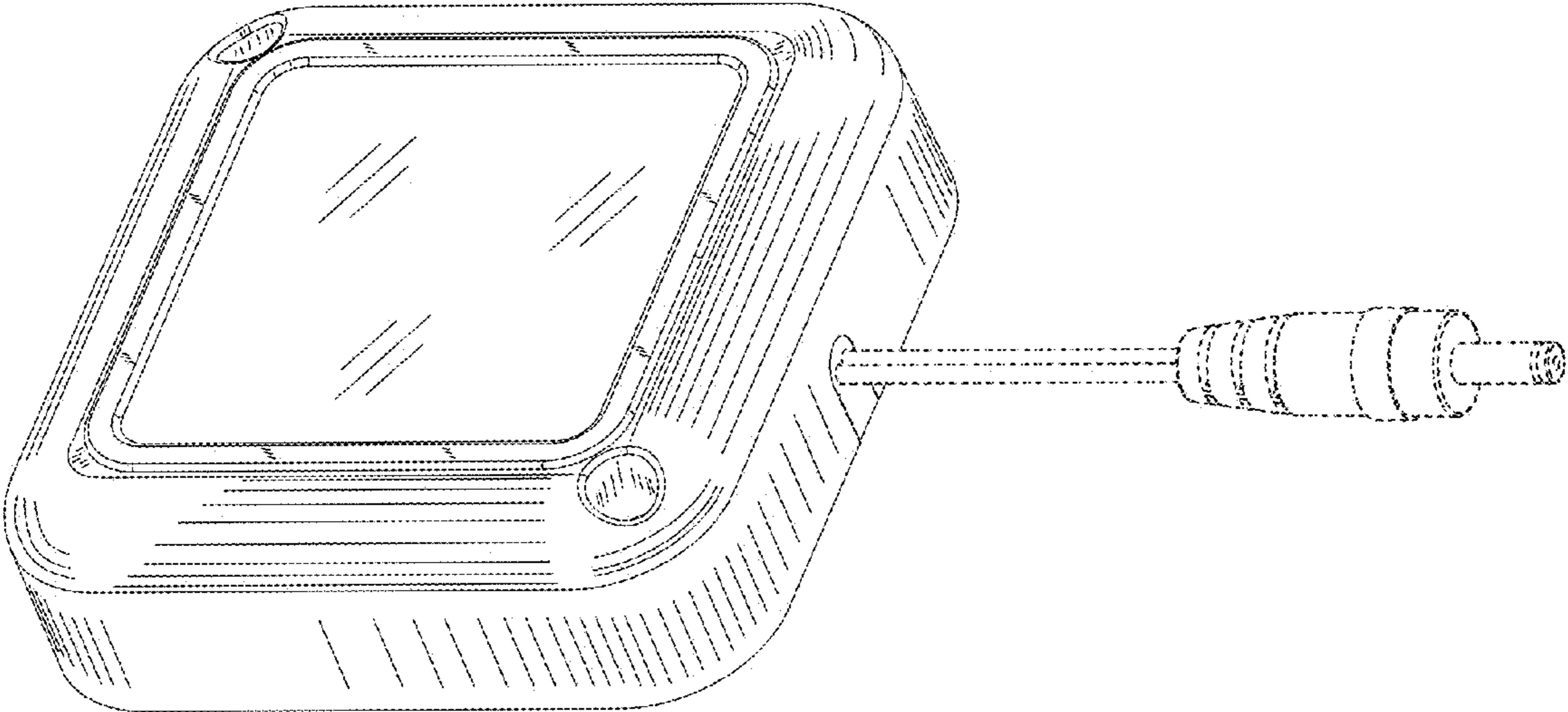


FIG. 1

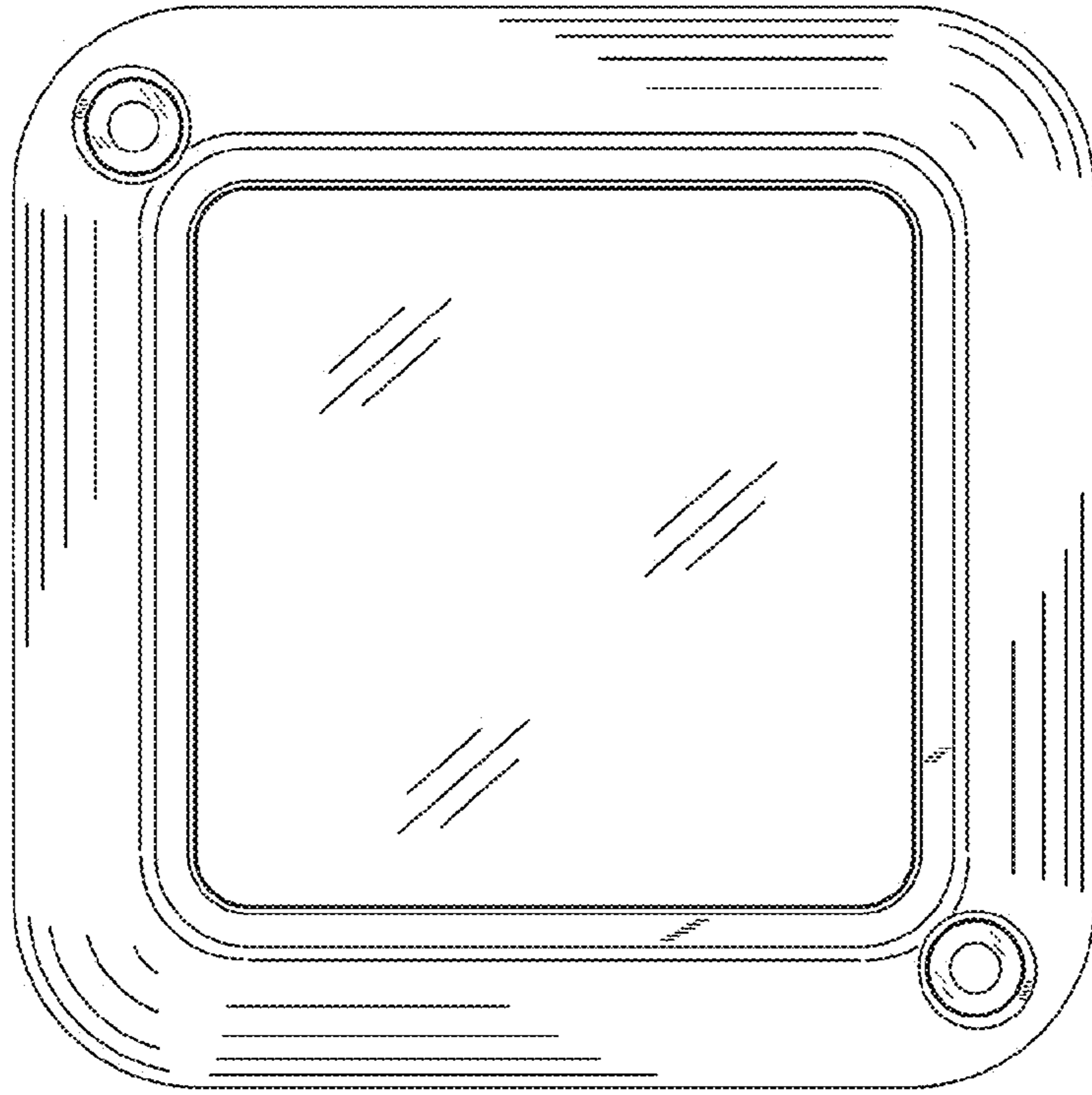


FIG. 2

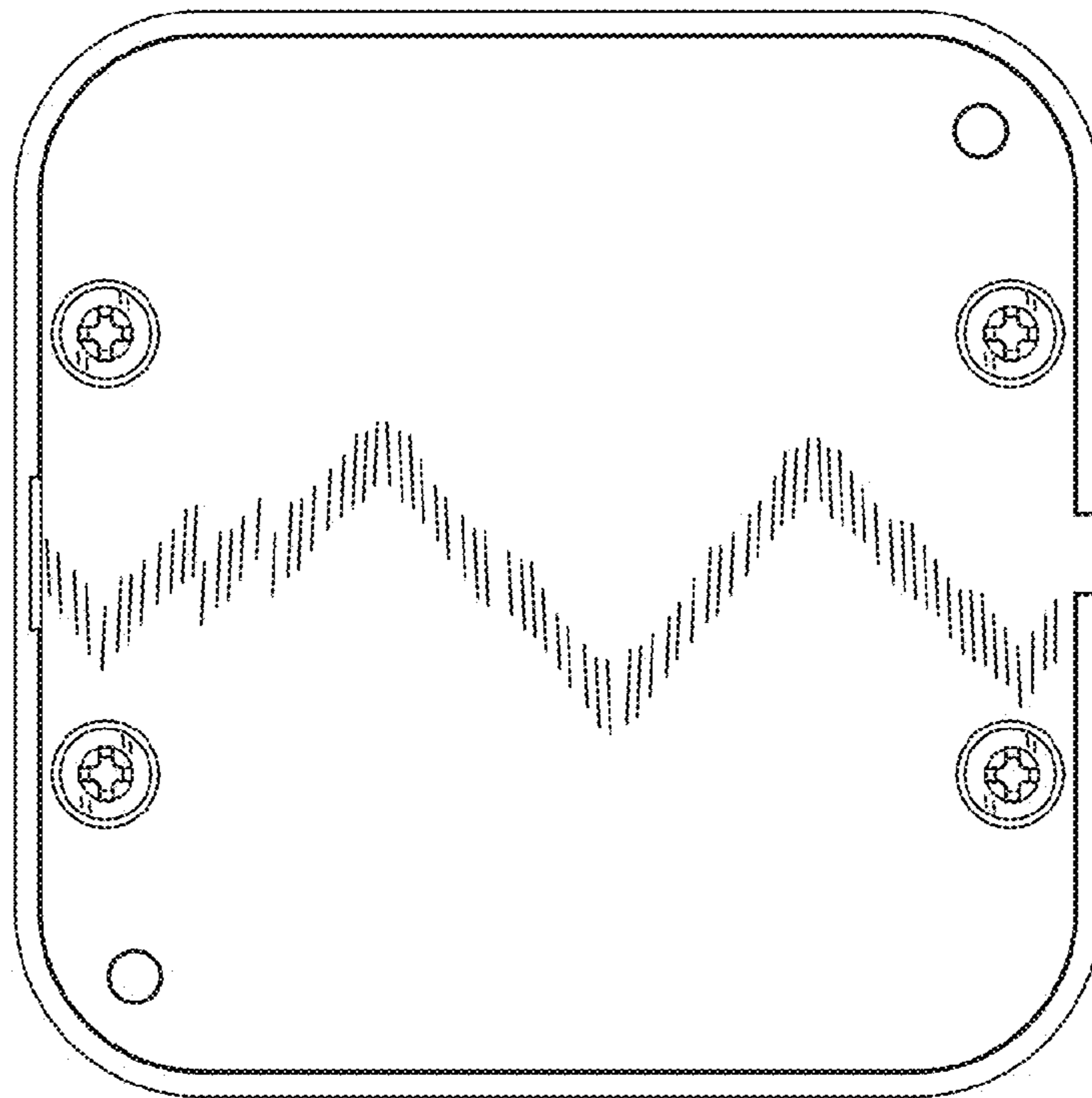


FIG. 3

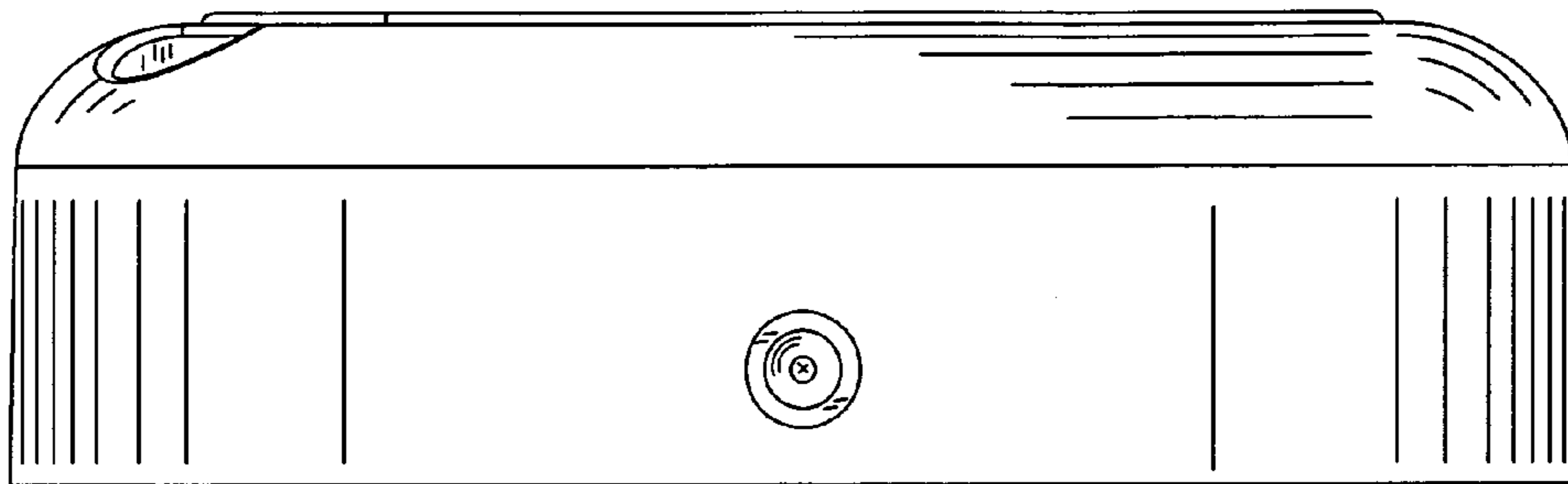


FIG. 4

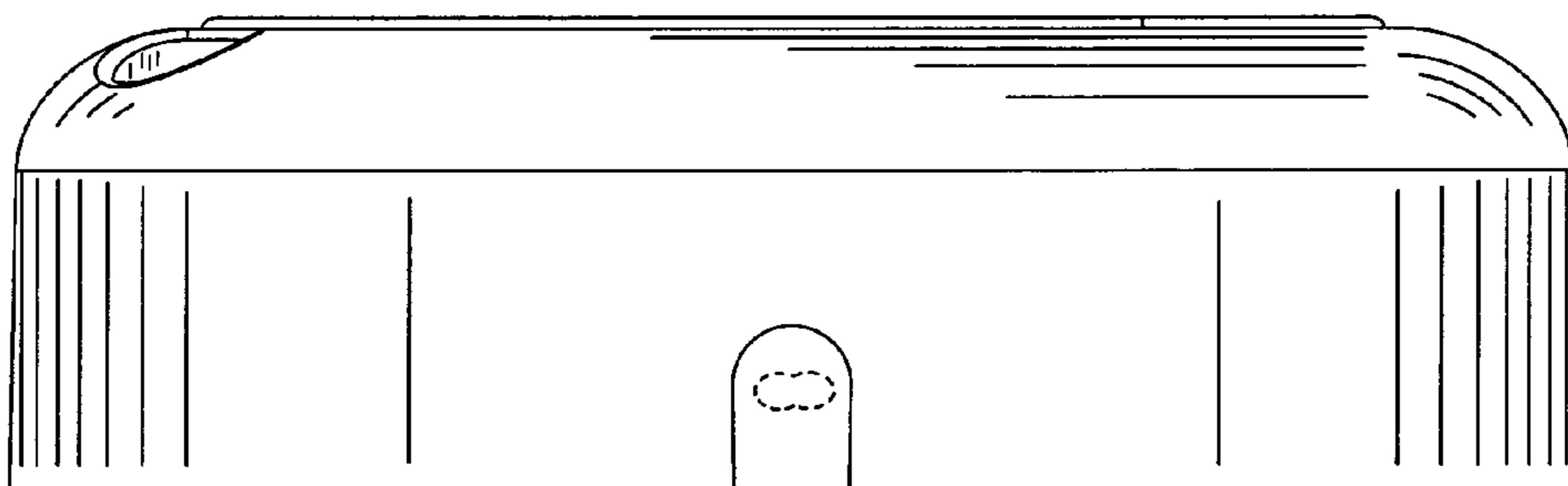


FIG. 5

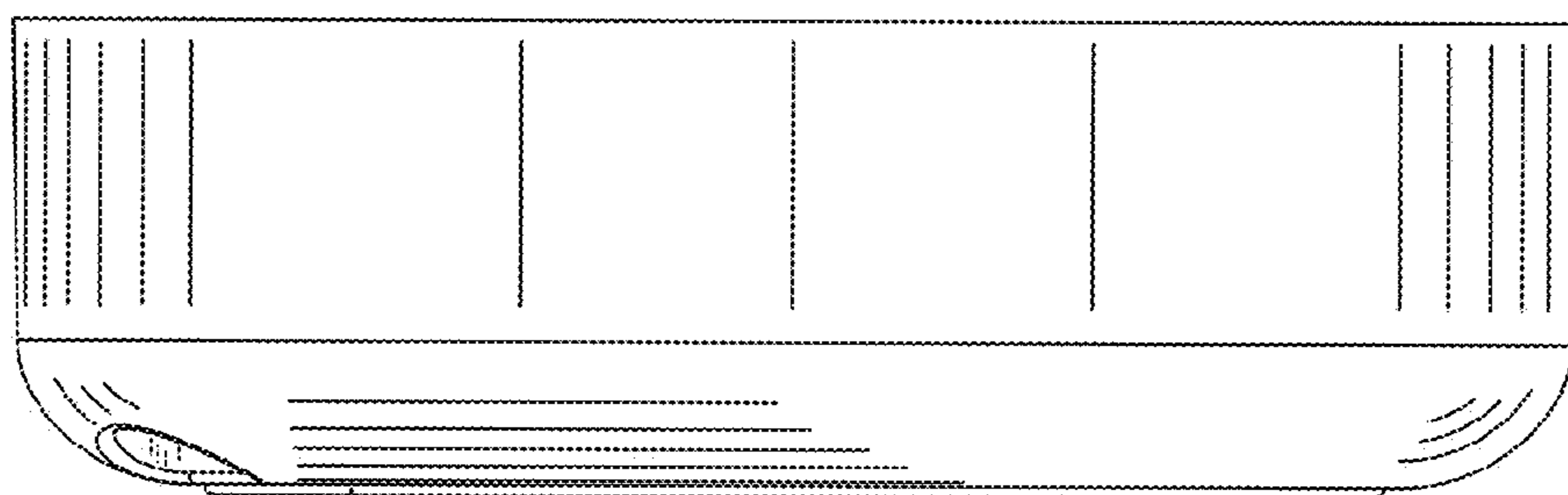


FIG. 6

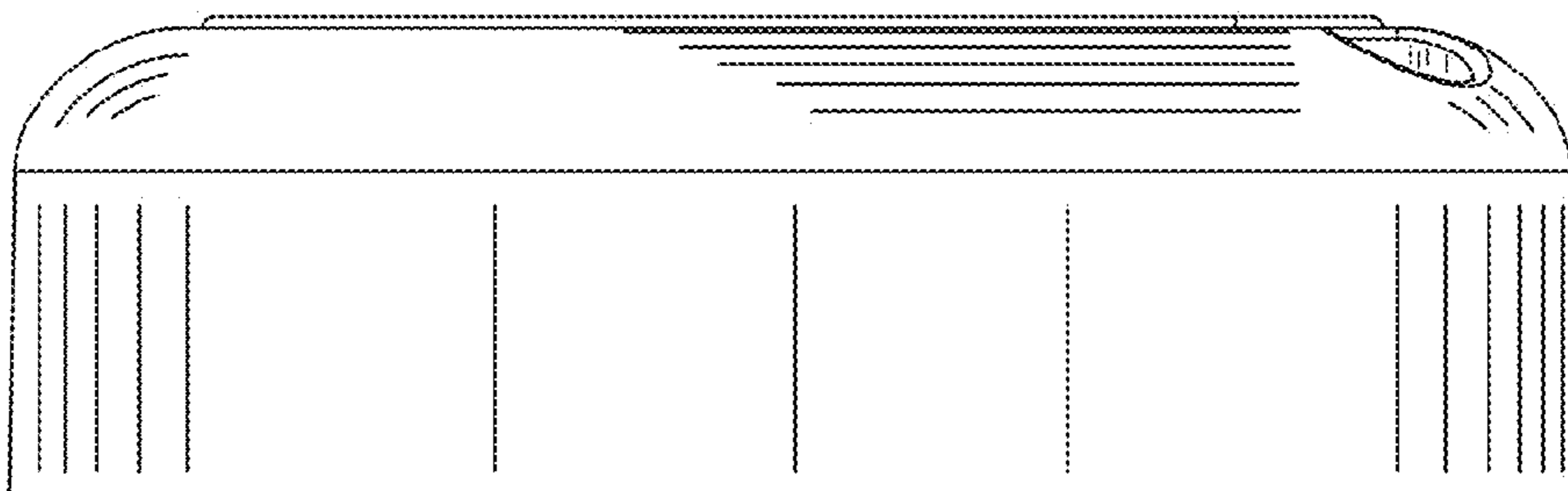


FIG. 7