



US00D684716S

(12) **United States Design Patent**
Baker et al.

(10) **Patent No.:** **US D684,716 S**
(45) **Date of Patent:** **** Jun. 18, 2013**

(54) **FLASHLIGHT**

(75) Inventors: **Kathleen Baker**, Fairfield, CT (US);
Stuart A. Karten, Venice, CA (US);
Eric W. Olson, Los Angeles, CA (US);
Eric Gregory Schmid, Culver City, CA
(US); **Paul Trotman Kirley**, Los
Angeles, CA (US); **Jonathan**
Abarbanel, Los Angeles, CA (US);
James Sener, Glastonbury, CT (US);
Christopher D. Hageman, South
Glastonbury, CT (US)

(73) Assignee: **The Gillette Company**, Boston, MA
(US)

(**) Term: **14 Years**

(21) Appl. No.: **29/362,847**

(22) Filed: **Jun. 1, 2010**

Related U.S. Application Data

(63) Continuation-in-part of application No. 29/335,393,
filed on Apr. 15, 2009, now abandoned.

(51) **LOC (9) Cl.** **26-02**

(52) **U.S. Cl.**
USPC **D26/49**

(58) **Field of Classification Search**
USPC D26/37, 38, 39, 40, 42, 44, 46, 49,
D26/51; 362/157, 158, 183, 184, 194-196,
362/202-208
See application file for complete search history.

(56) **References Cited**

U.S. PATENT DOCUMENTS

D92,479 S 6/1934 Lees
D149,726 S 5/1948 Amstutz
D188,288 S 6/1960 Hansen et al.

D283,924 S 5/1986 Yau
D320,463 S * 10/1991 Pettersen et al. D26/37
D351,477 S 10/1994 Bamber
D360,043 S 7/1995 Inukai
D395,722 S * 6/1998 Howard et al. D26/49
D427,702 S 7/2000 Sharrah et al.
D429,013 S 8/2000 Poon
D433,171 S 10/2000 Pettersen et al.
D463,595 S * 9/2002 Cheong et al. D26/49
D467,022 S 12/2002 Fritz
D491,301 S * 6/2004 Chen D26/37
D513,642 S 1/2006 Zhang

(Continued)

Primary Examiner — Ian Simmons

Assistant Examiner — Carissa C Fitts

(74) *Attorney, Agent, or Firm* — Fish & Richardson P.C.

(57) **CLAIM**

The ornamental design for a flashlight, substantially as shown
and described.

DESCRIPTION

FIG. 1 is a perspective view of the flashlight as seen from the
front, top, right side;

FIG. 2 is a top plan view of the flashlight of FIG. 1;

FIG. 3 is a right elevational view of the flashlight of FIG. 1,
the other side elevational view being a mirror image thereof;

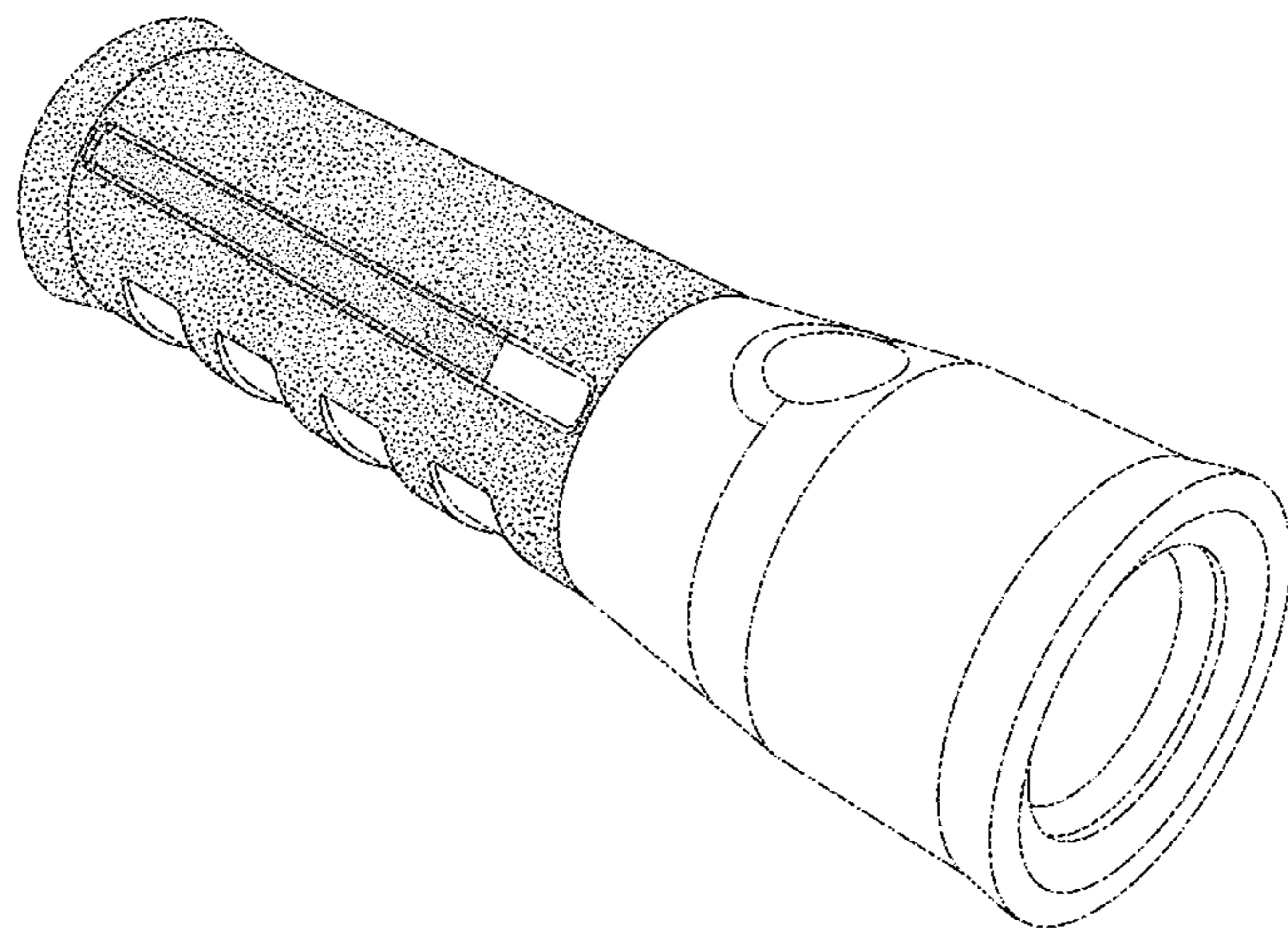
FIG. 4 is a perspective view of a second embodiment of the
flashlight as seen from the front, top, right side;

FIG. 5 is a top plan view of the flashlight of FIG. 4; and,

FIG. 6 is a right side elevational view of the flashlight of FIG.
4, the other side elevational view being a mirror image
thereof.

The broken lines which define the bounds of the claimed
design form no part thereof. The broken lines showing the
remainder of the flashlight are for illustrative purposes only
and form no part of the claimed design. Stippling has been
included on the portion of the surface within the claimed
design.

1 Claim, 6 Drawing Sheets



US D684,716 S

Page 2

U.S. PATENT DOCUMENTS

D518,217 S *	3/2006	Rugendyke et al.	D26/49	D598,151 S *	8/2009	McGraw	D26/49
D520,167 S	5/2006	Garrity		D604,878 S *	11/2009	Kung	D26/49
D521,170 S	5/2006	Craft et al.		D605,799 S	12/2009	Kim	
D551,366 S	9/2007	Galli		D606,222 S	12/2009	Gebhard	
D555,267 S	11/2007	Lin		D608,033 S	1/2010	Hesse et al.	
D561,923 S	2/2008	Hsu		D608,034 S	1/2010	Hesse et al.	
D565,220 S	3/2008	Galli		D630,783 S *	1/2011	Baker et al.	D26/49
D574,984 S	8/2008	Hesse et al.		D634,464 S *	3/2011	Baker et al.	D26/49
D579,594 S	10/2008	Hesse et al.		D637,747 S *	5/2011	Hesse et al.	D26/49
D596,329 S	7/2009	Galli					

* cited by examiner

FIG. 1

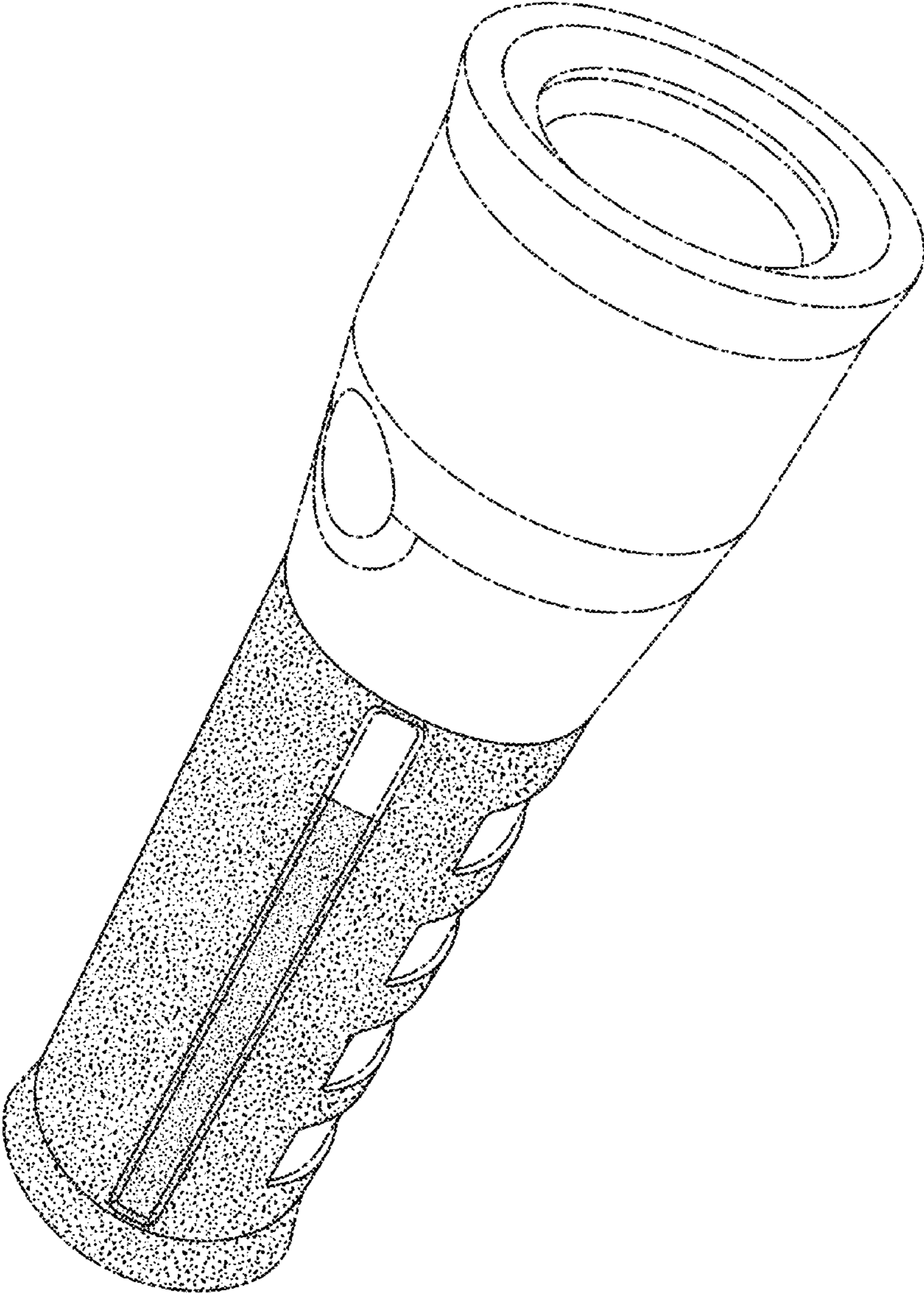


FIG. 2

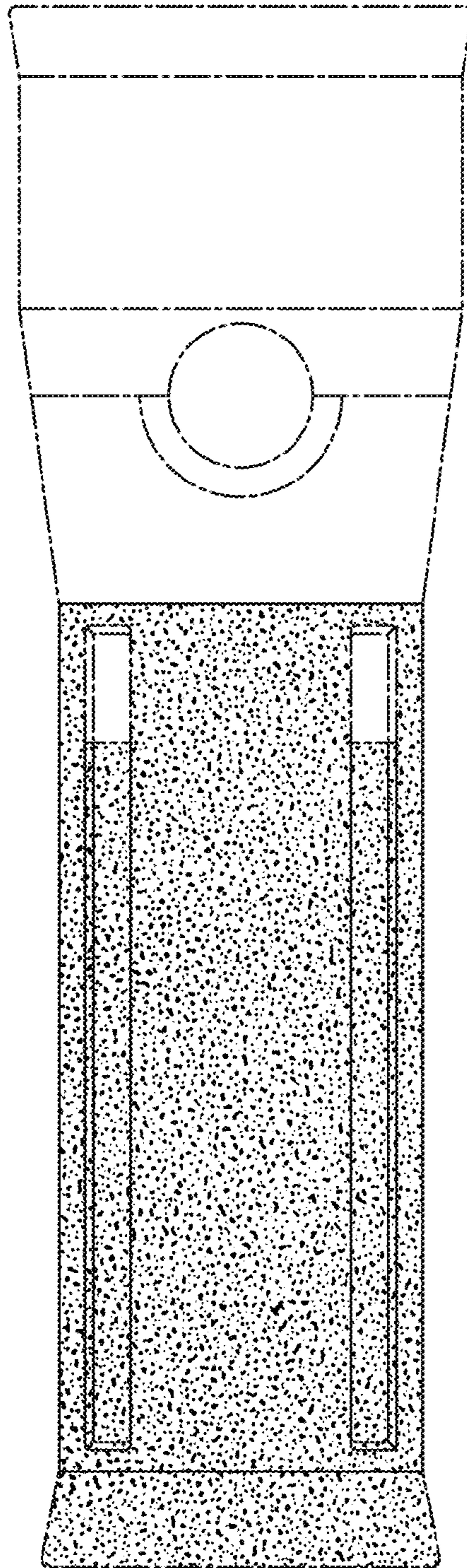


FIG. 3

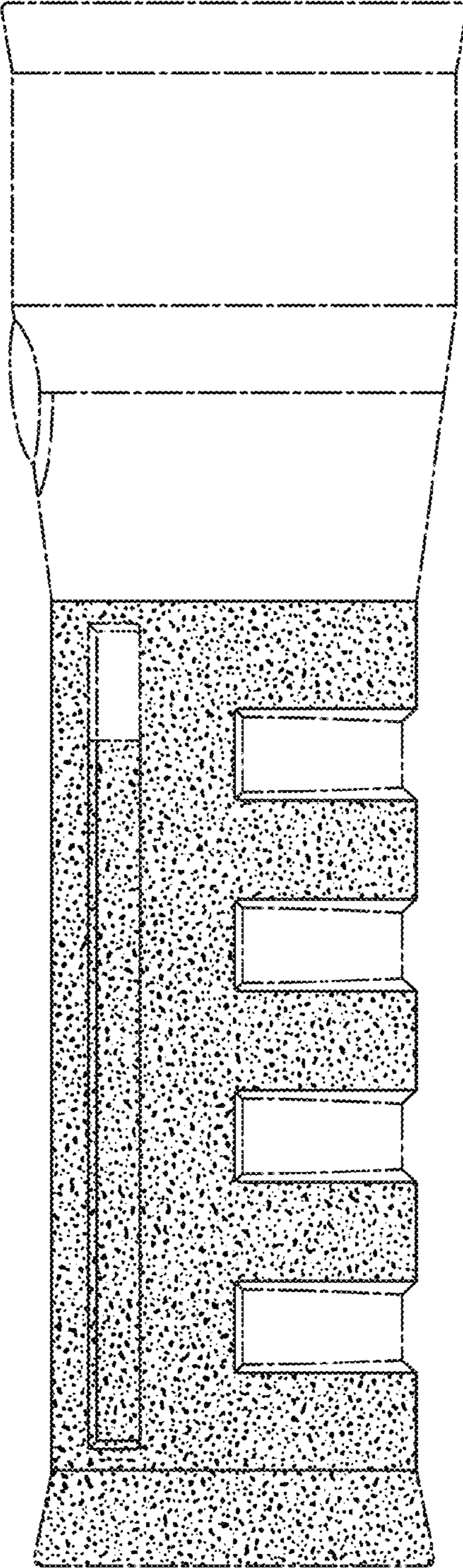


FIG. 4

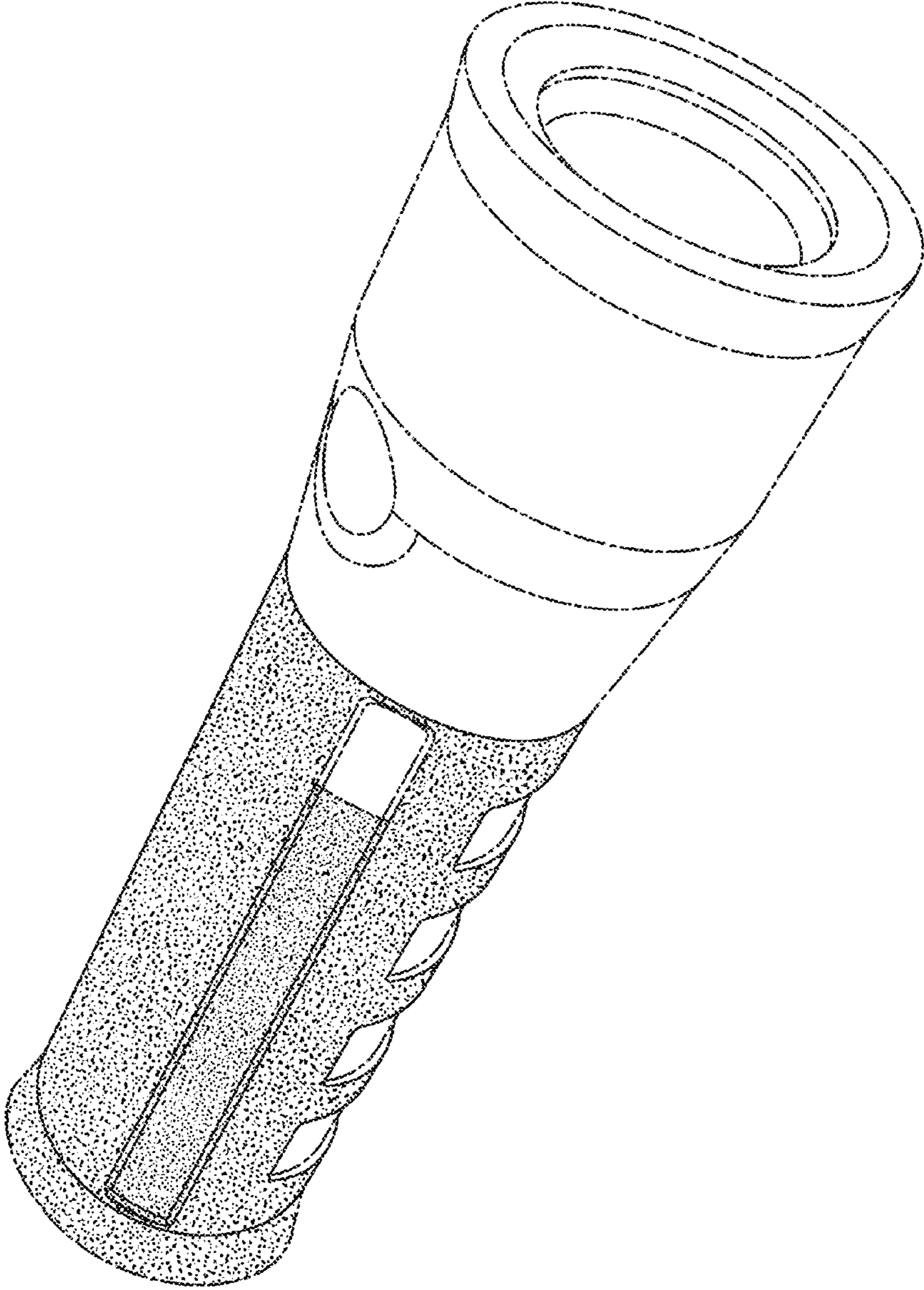


FIG. 5

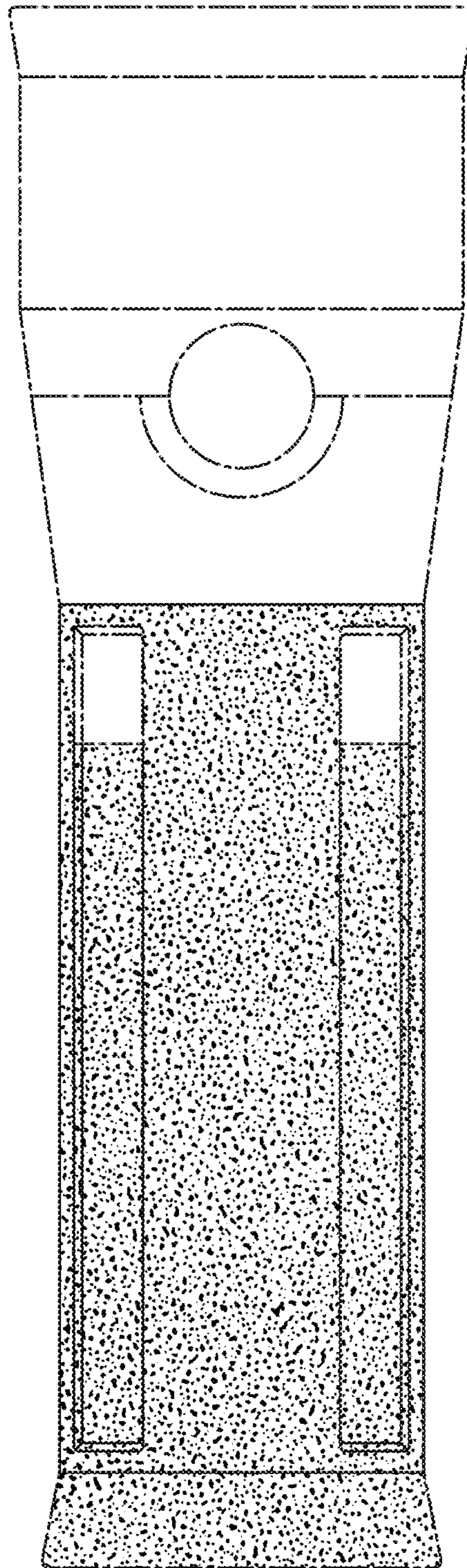


FIG. 6

