



US00D684714S

(12) **United States Design Patent**
Fuchigami et al.

(10) **Patent No.:** **US D684,714 S**
(45) **Date of Patent:** **** Jun. 18, 2013**

(54) **HEADLIGHT FOR AN AUTOMOBILE**

(56) **References Cited**

(75) Inventors: **Hideyuki Fuchigami**, Kanagawa-ken
(JP); **Hisatugu Hirabayashi**,
Kanagawa-ken (JP)

(73) Assignee: **Nissan Jidosha Kabushiki Kaisha**,
Kanagawa (JP)

(**) Term: **14 Years**

(21) Appl. No.: **29/414,168**

(22) Filed: **Feb. 24, 2012**

(30) **Foreign Application Priority Data**

Feb. 1, 2012 (JP) 2012-001992

(51) **LOC (9) Cl.** **26-06**

(52) **U.S. Cl.**
USPC **D26/28**

(58) **Field of Classification Search**
USPC D26/28-36; 362/459-468, 475-478,
362/485-487

See application file for complete search history.

U.S. PATENT DOCUMENTS

D538,956 S *	3/2007	Ishii	D26/28
D544,614 S *	6/2007	Markefka	D26/28
D549,855 S *	8/2007	Moisy et al.	D26/28
D556,349 S *	11/2007	Golden et al.	D26/28
D561,358 S *	2/2008	Tachibana	D26/28
D570,007 S *	5/2008	Hsu	D26/28
D582,587 S *	12/2008	Yang	D26/28
D593,232 S *	5/2009	Koman et al.	D26/28
D619,278 S *	7/2010	Choi et al.	D26/28
D635,694 S *	4/2011	Yang et al.	D26/28

* cited by examiner

Primary Examiner — Marcus Jackson
(74) *Attorney, Agent, or Firm* — Fross Zelnick Lehrman &
Zissu, P.C.; Lawrence E. Apolzon, Esq.

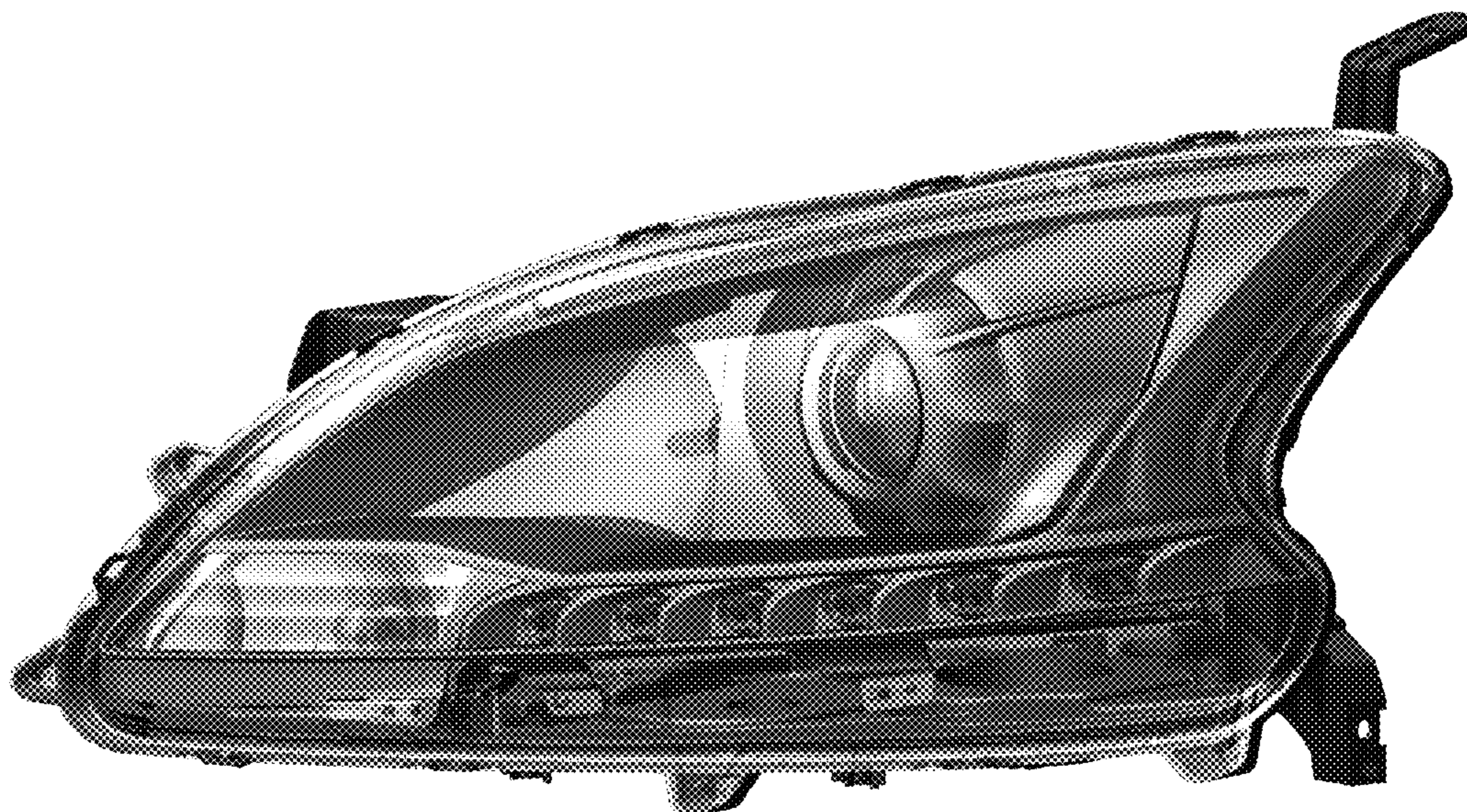
(57) **CLAIM**

The ornamental design for a headlight for an automobile, as shown and described.

DESCRIPTION

FIG. 1 is a perspective view of a headlight for an automobile showing our new design; FIG. 2 is a front view thereof; FIG. 3 is a right side view thereof; and, FIG. 4 is a top view thereof.

1 Claim, 2 Drawing Sheets



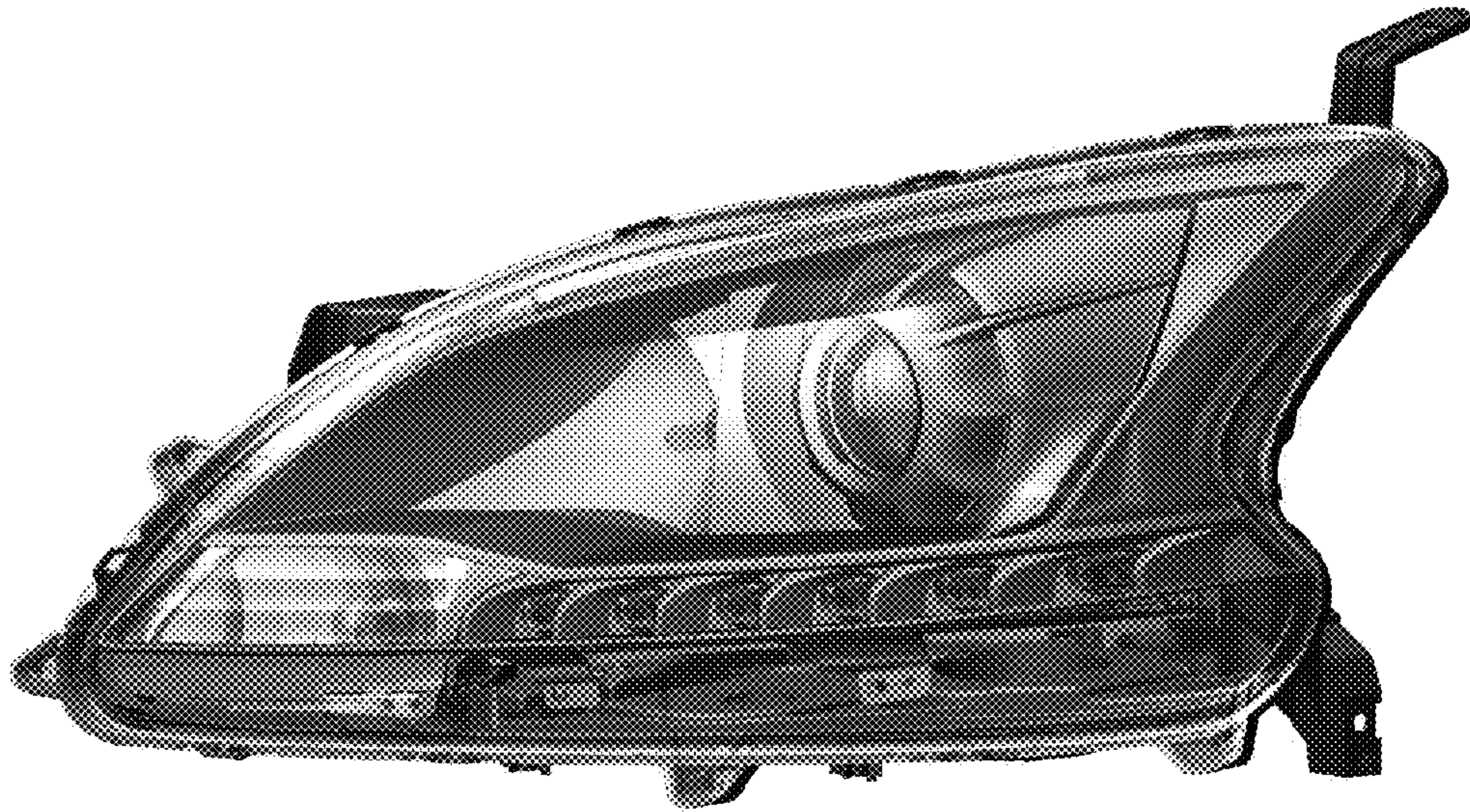


FIG. 1

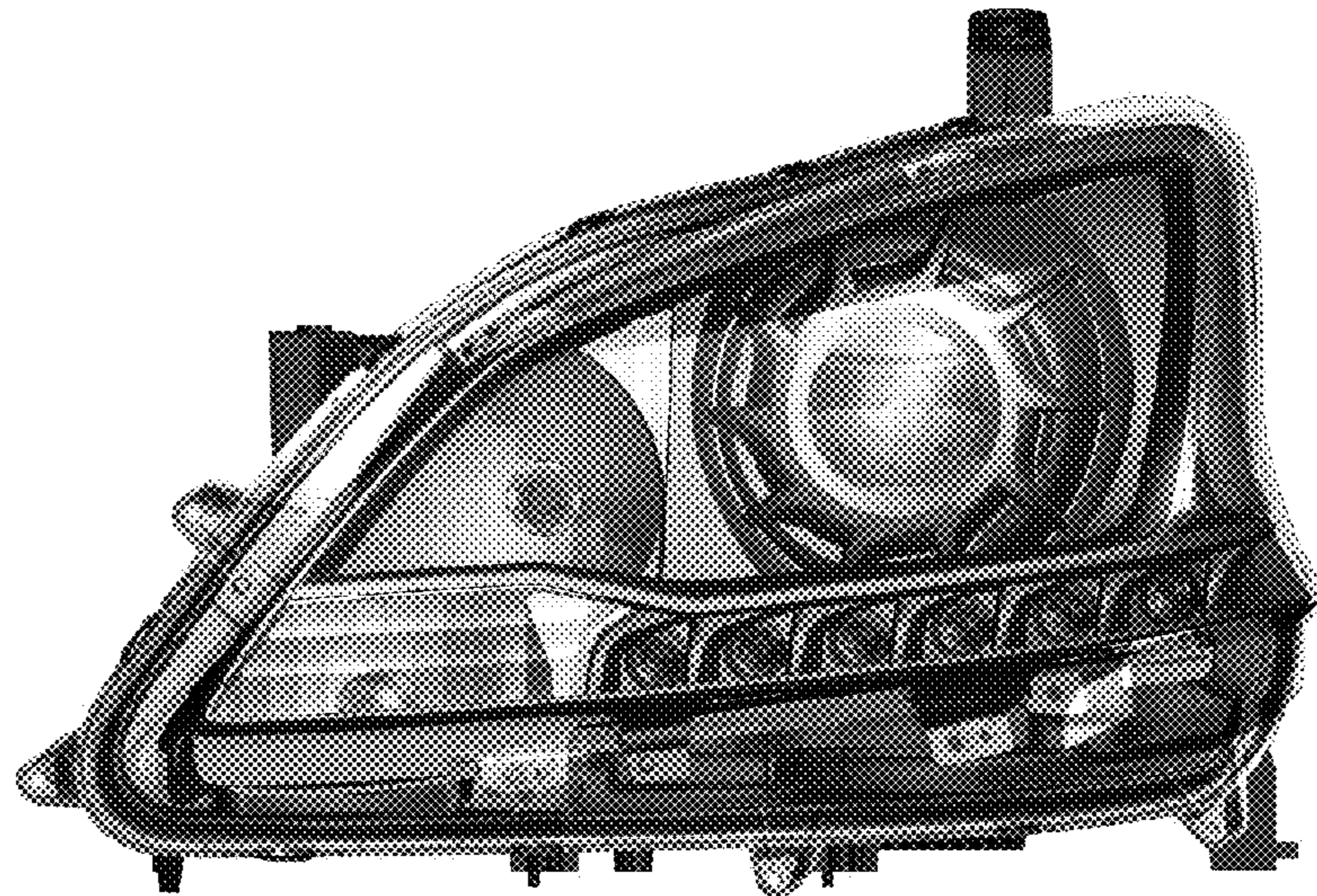


FIG. 2

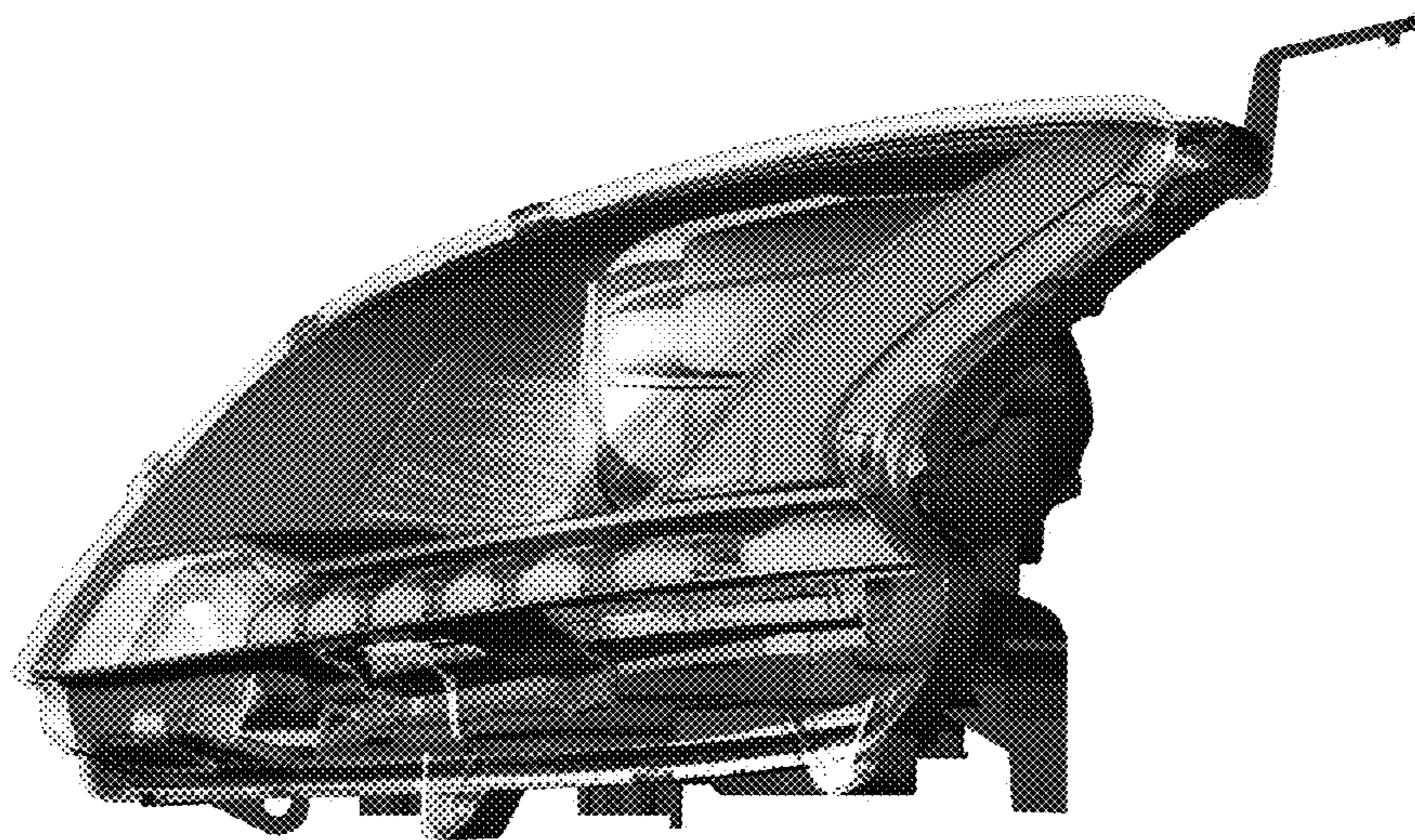


FIG. 3

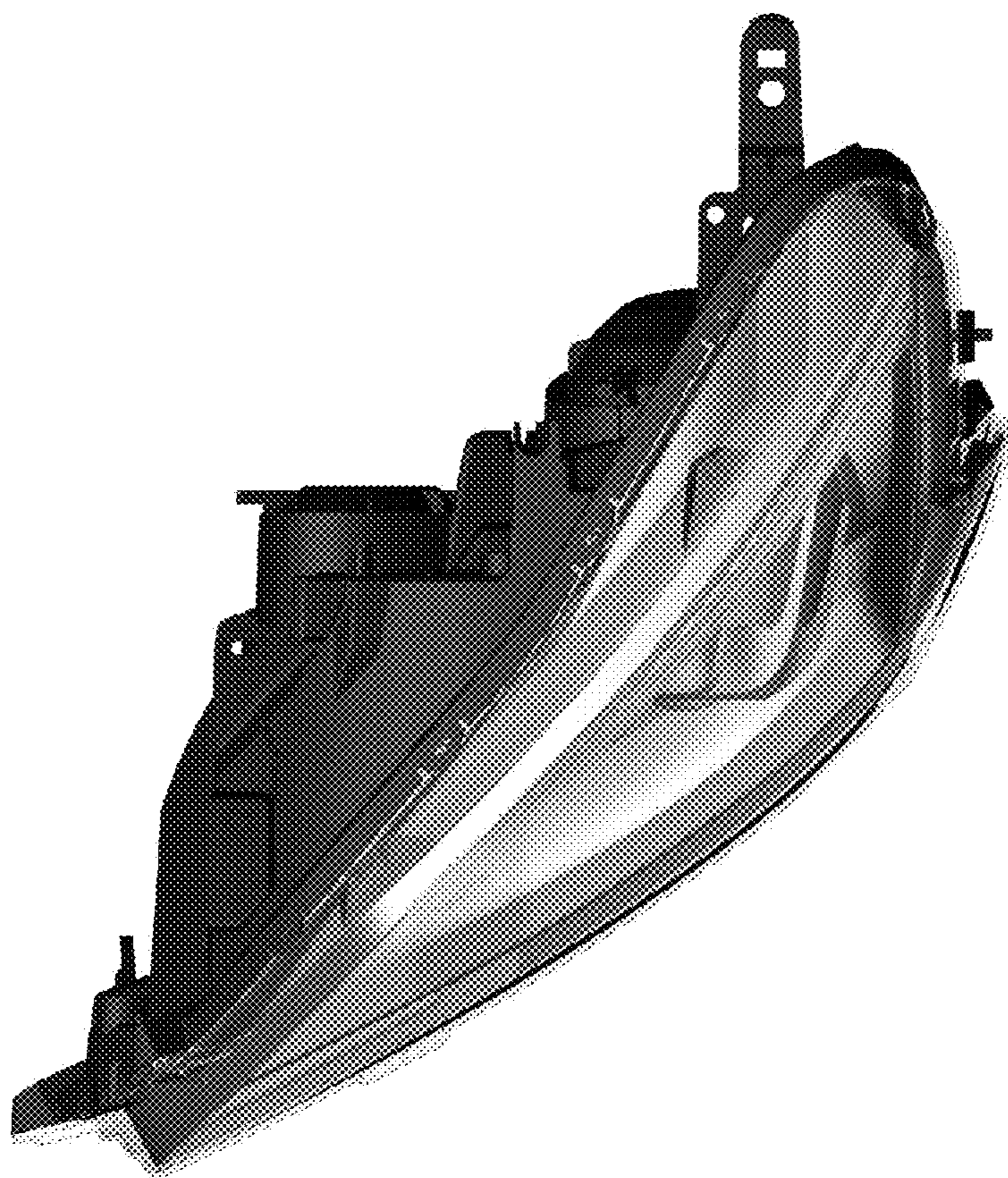


FIG. 4