



US00D684710S

(12) **United States Design Patent**  
**Chen et al.**

(10) **Patent No.:** **US D684,710 S**  
(45) **Date of Patent:** **\*\* Jun. 18, 2013**

(54) **VEHICLE HEADLIGHT**

(75) Inventors: **Rick Chen**, Monterey Park, CA (US);  
**Randal Wolstenholm**, Los Alamitos,  
CA (US); **Jun Goto**, Tokyo (JP)

(73) Assignee: **Honda Motor Co., Ltd.**, Tokyo (JP)

(\*\*) Term: **14 Years**

(21) Appl. No.: **29/407,590**

(22) Filed: **Nov. 30, 2011**

(51) **LOC (9) Cl.** ..... **26-06**

(52) **U.S. Cl.**  
USPC ..... **D26/28**

(58) **Field of Classification Search**  
USPC ..... D26/28-36; 362/459-468, 475-478,  
362/485-487  
See application file for complete search history.

(56) **References Cited**

U.S. PATENT DOCUMENTS

D508,136 S \* 8/2005 Pfeiffer ..... D26/28  
D518,581 S \* 4/2006 Osawa ..... D26/28  
D528,231 S \* 9/2006 Ikeda ..... D26/28

D535,409 S \* 1/2007 Yamaguchi ..... D26/28  
D544,614 S \* 6/2007 Markefka ..... D26/28  
D561,358 S \* 2/2008 Tachibana ..... D26/28

\* cited by examiner

*Primary Examiner* — Marcus Jackson

(74) *Attorney, Agent, or Firm* — Plumsea Law Group, LLC

(57) **CLAIM**

The ornamental design for a vehicle headlight, as shown and described.

**DESCRIPTION**

This application claims a portion of the article claimed in concurrently filed application Ser. No. 29/407,578, the contents of which are hereby incorporated by reference in its entirety.

FIG. 1 is a perspective view of a vehicle headlight showing our new design;

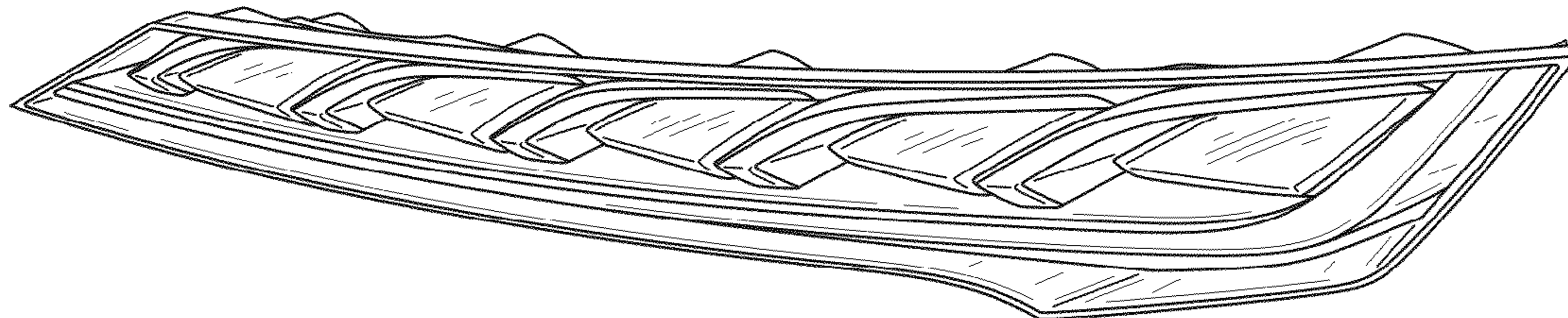
FIG. 2 is a front elevational view thereof;

FIG. 3 is a side elevational view thereof; and,

FIG. 4 is a top plan view thereof.

The headlight depicted in the drawings is the left-hand embodiment, the right-hand embodiment being a mirror image thereof.

**1 Claim, 3 Drawing Sheets**



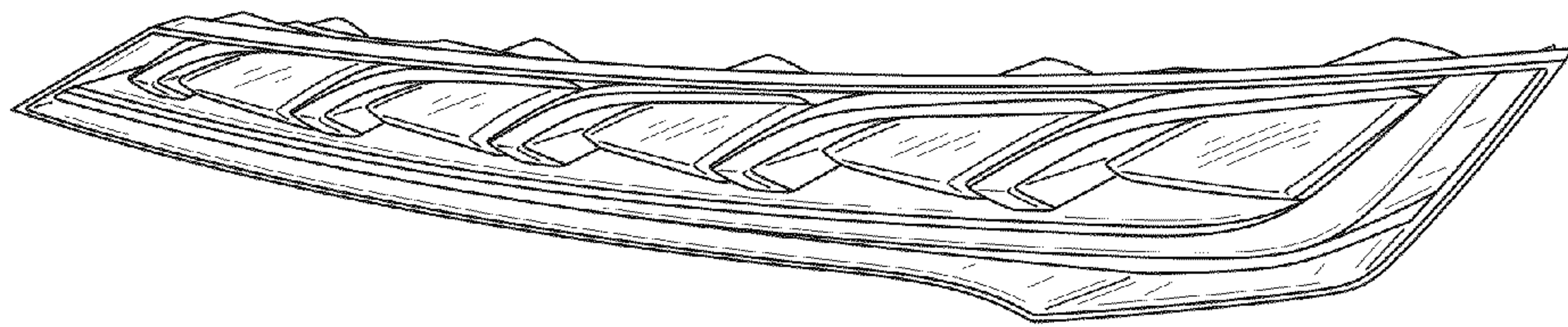


FIG. 1

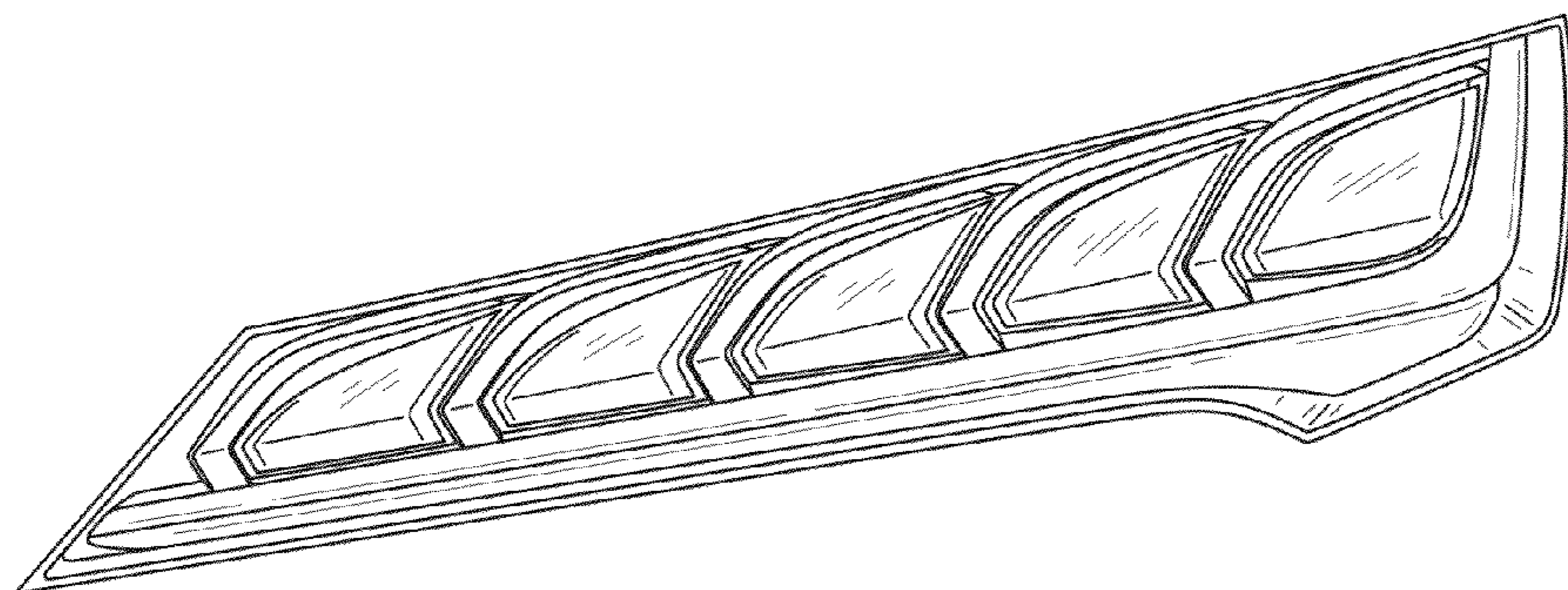


FIG. 2

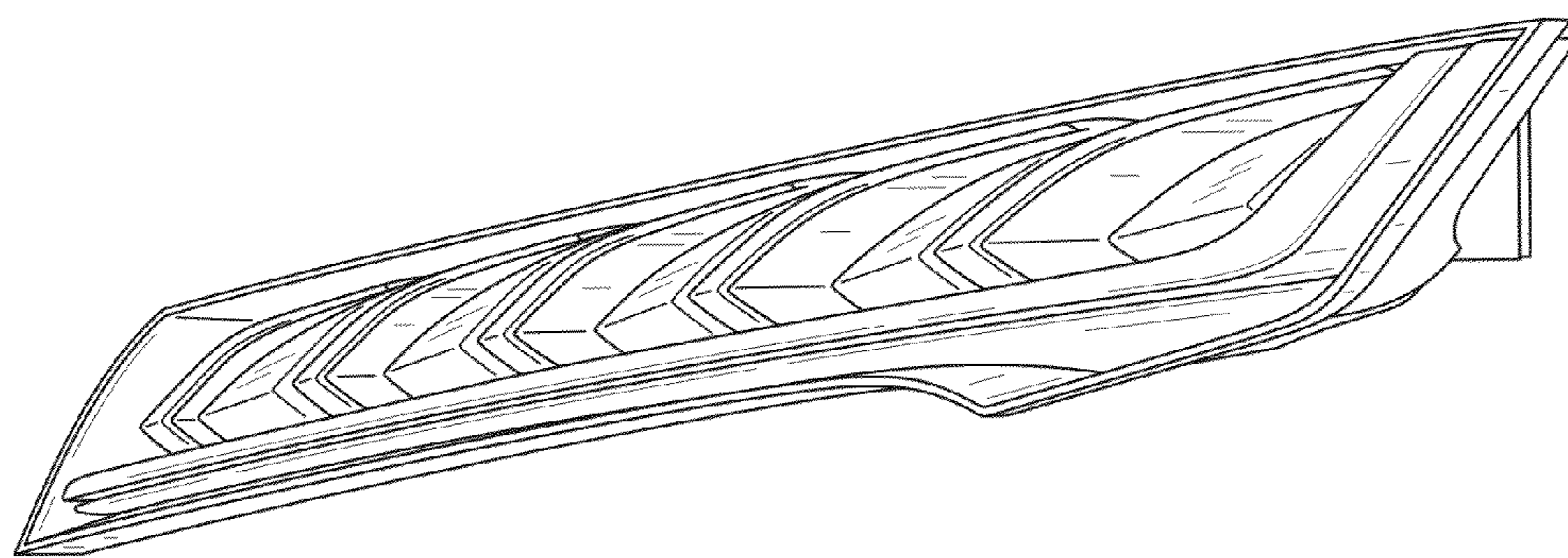


FIG. 3

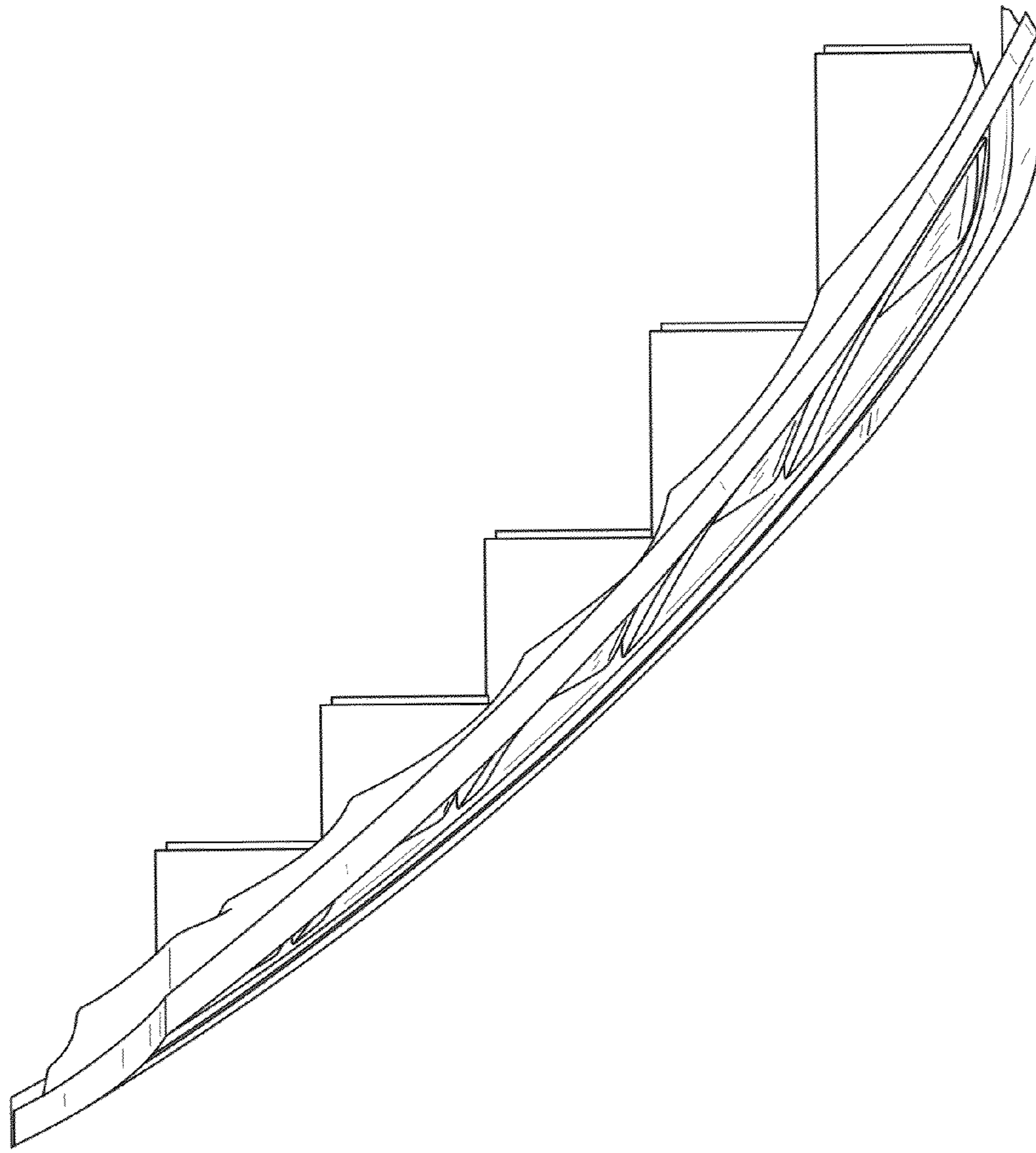


FIG. 4