



US00D684709S

(12) **United States Design Patent**
Boomgaarden et al.

(10) **Patent No.:** **US D684,709 S**
(45) **Date of Patent:** **** Jun. 18, 2013**

- (54) **LUMINAIRE**
- (71) Applicant: **Lighting Science Group Corporation**,
Satellite Beach, FL (US)
- (72) Inventors: **Mark Penley Boomgaarden**, Satellite
Beach, FL (US); **Shane Sullivan**,
Indialantic, FL (US); **Ryan Chase
Kelley**, Centennial, CO (US); **David
Henderson**, Indialantic, FL (US)
- (73) Assignee: **Lighting Science Group Corporation**,
Satellite Beach, FL (US)
- (**) Term: **14 Years**
- (21) Appl. No.: **29/439,747**
- (22) Filed: **Dec. 14, 2012**

Related U.S. Application Data

- (62) Division of application No. 29/373,145, filed on Mar.
7, 2011, now Pat. No. Des. 675,348.
- (51) **LOC (9) Cl.** **26-04**
- (52) **U.S. Cl.**
USPC **D26/2**
- (58) **Field of Classification Search**
USPC D26/1-4; 313/313, 315, 316, 317,
313/318, 493; 315/52, 53, 56, 57, 58
See application file for complete search history.

References Cited

U.S. PATENT DOCUMENTS

- 6,220,722 B1 4/2001 Begemann
- 6,452,217 B1 9/2002 Wojnarowski et al.
- 6,621,222 B1 9/2003 Hong
- 7,344,279 B2 3/2008 Mueller et al.
- D581,556 S * 11/2008 To et al. D26/2

- D600,367 S * 9/2009 Bertram et al. D26/2
- D601,278 S * 9/2009 Takahashi D26/2
- D617,918 S * 6/2010 Yamamoto et al. D26/2
- D623,774 S 9/2010 Tsai
- D631,990 S 2/2011 Bobel
- D663,058 S 7/2012 Pan
- D663,869 S 7/2012 Choi et al.

* cited by examiner

Primary Examiner — Marcus Jackson
(74) *Attorney, Agent, or Firm* — Cantor Colburn LLP

(57) **CLAIM**
We claim, the ornamental design for a luminaire, as shown
and described.

DESCRIPTION

FIG. 1 is a perspective view of a second embodiment of the invention;
 FIG. 2 is a side elevation view of the second embodiment of FIG. 1, the luminaire being symmetric about a center axis;
 FIG. 3 is a bottom plan view of the second embodiment of FIG. 1; and,
 FIG. 4 is a top plan view of the second embodiment of FIG. 1.
 The phantom lines shown in FIG. 1-FIG. 4 are for illustration purposes only and form no part of the claimed design.
 The color of the luminaire forms no part of the claimed design; a luminaire according to the claimed design may be of any color or combination of colors.
 The shading and tones of the luminaire, and any variations thereof, form no part of the claimed design.
 The surface treatment of the luminaire forms no part of the claimed design, a luminaire according to the claimed design may have any surface treatment.
 References to “side”, “top”, and “bottom” in the figure descriptions are not meant to require certain in-use orientation; a luminaire according to the claimed design may be used in any orientation.

1 Claim, 4 Drawing Sheets

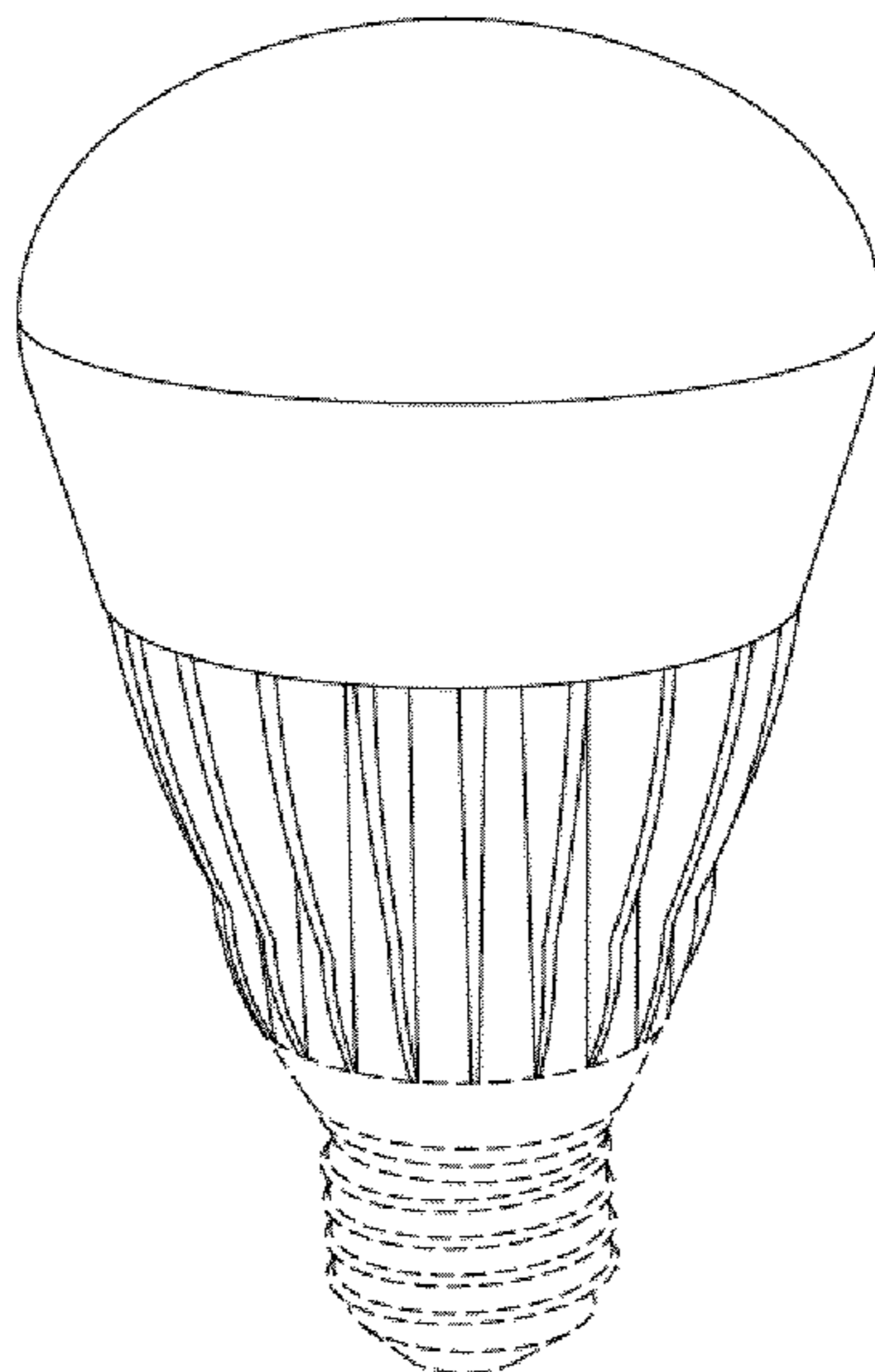


FIG. 1

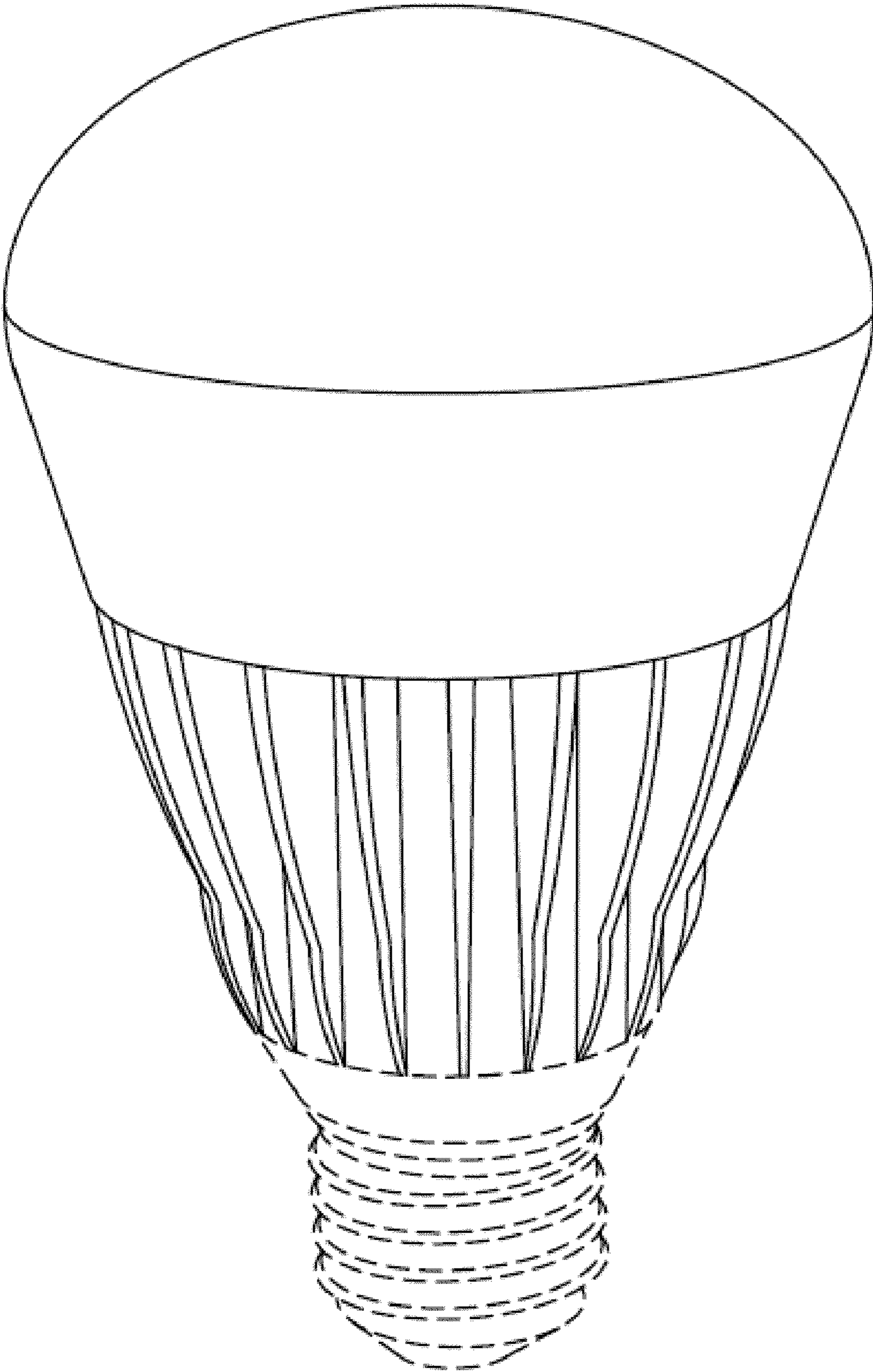


FIG. 2

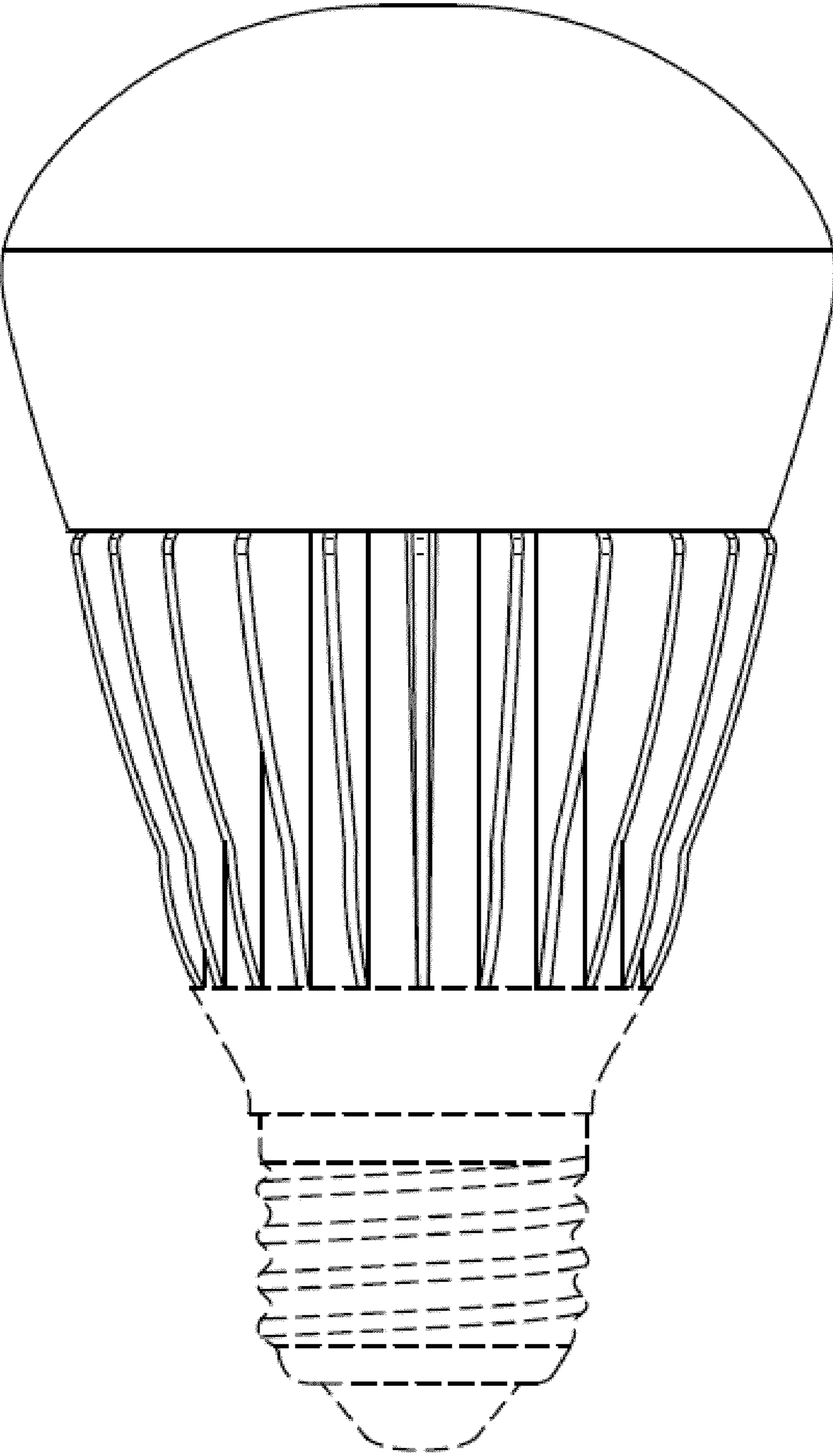


FIG. 3

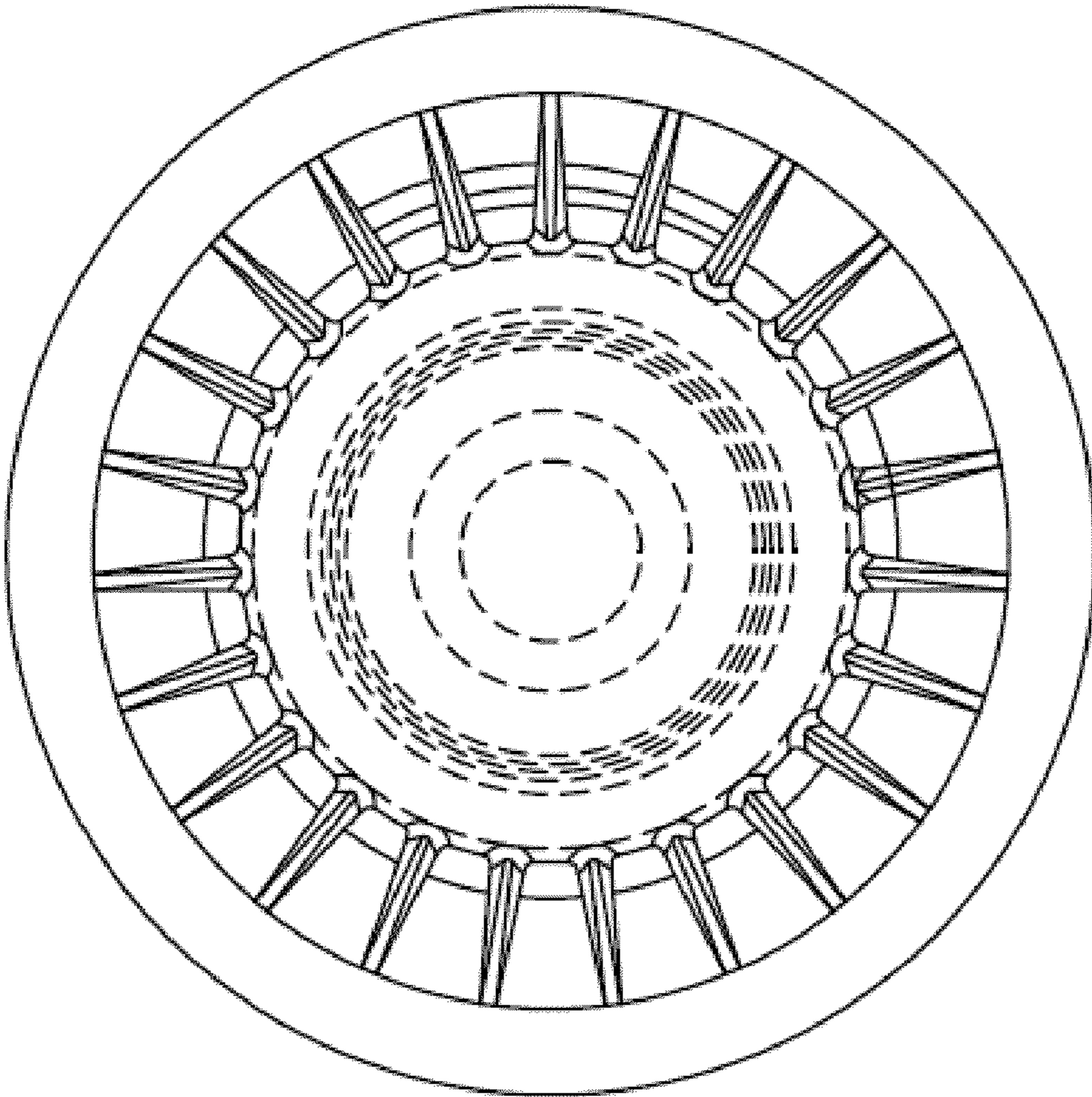


FIG. 4

