



US00D684707S

(12) **United States Design Patent**  
**Yonash**

(10) **Patent No.:** **US D684,707 S**  
(45) **Date of Patent:** **\*\* Jun. 18, 2013**

(54) **CEILING TILE**

(75) Inventor: **Richard F. Yonash**, Graton, CA (US)

(73) Assignee: **Empire West, Inc.**, Graton, CA (US)

(\*\*) Term: **14 Years**

(21) Appl. No.: **29/431,438**

(22) Filed: **Sep. 7, 2012**

*Primary Examiner* — Doris Clark

(74) *Attorney, Agent, or Firm* — Berenato & White, LLC

(57) **CLAIM**

I claim the ornamental design for a ceiling tile, as shown and described.

**Related U.S. Application Data**

(62) Division of application No. 29/404,723, filed on Oct. 25, 2011, now Pat. No. Des. 674,123.

(51) **LOC (9) Cl.** ..... **25-01**

(52) **U.S. Cl.**  
USPC ..... **D25/157; D25/138**

(58) **Field of Classification Search**  
USPC ..... D25/138, 157; 52/220.6, 309.14,  
52/314, 316, 384, 474, 764, 506.04, 506.05  
See application file for complete search history.

(56) **References Cited**

**U.S. PATENT DOCUMENTS**

2,153,320	A	4/1939	Venxie
2,671,522	A	3/1954	Bourgeois
2,710,335	A	6/1955	Wong
3,228,163	A	1/1966	Lindstrom

(Continued)

**FOREIGN PATENT DOCUMENTS**

DE	19902358	A1	9/1999
FR	2690000	A1	10/1993
GB	1028337	A	5/1966

**OTHER PUBLICATIONS**

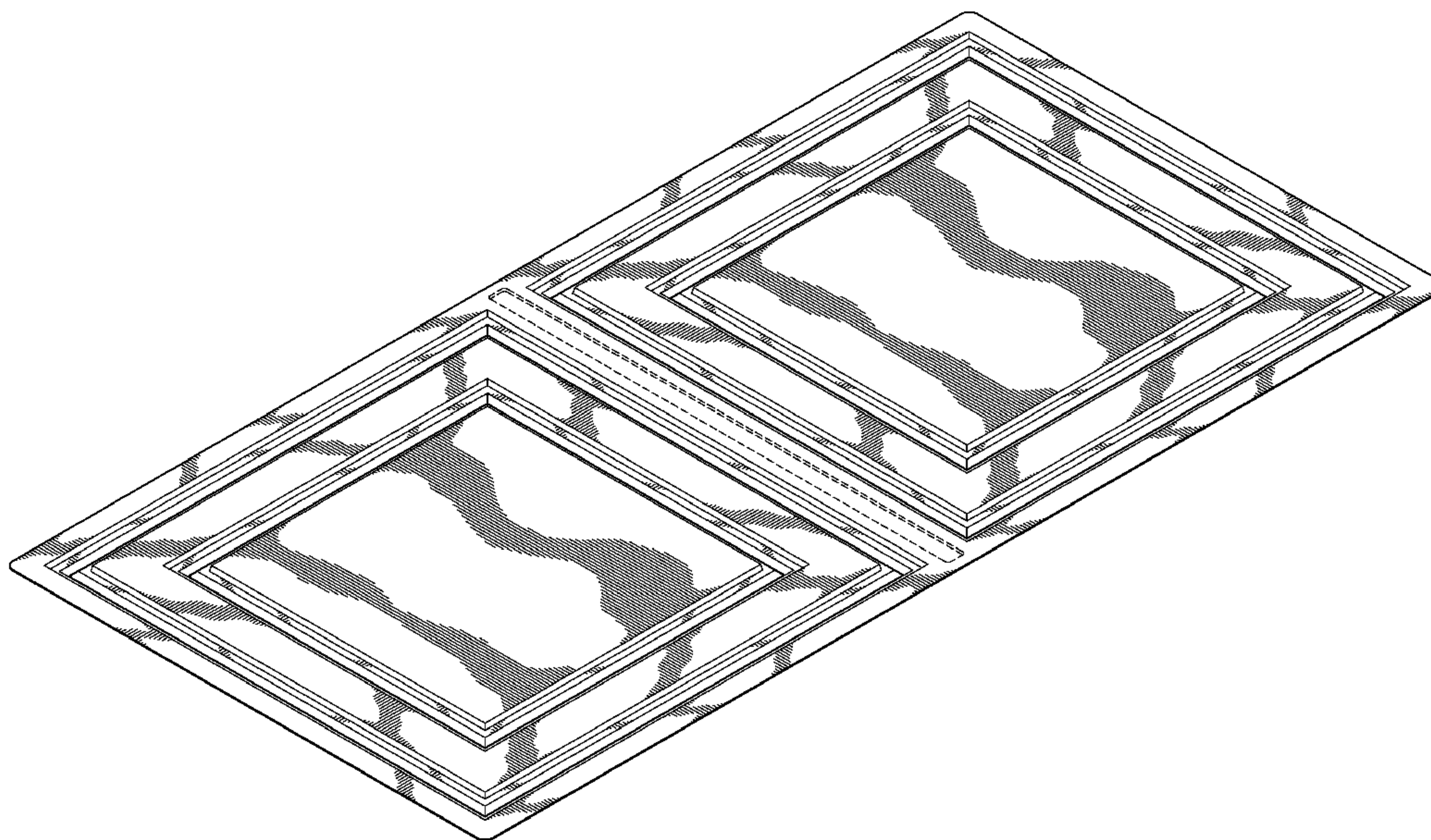
United Plastics Corporation Product Brochure; 1975.

(Continued)

**DESCRIPTION**

FIG. 1 is a front, top and left perspective view of the ceiling tile showing my new design;  
 FIG. 2 is a front elevational view thereof;  
 FIG. 3 is a rear elevational view thereof;  
 FIG. 4 is a top side view thereof.  
 FIG. 5 is a bottom side view thereof;  
 FIG. 6 is a right side view thereof;  
 FIG. 7 is a left side view thereof;  
 FIG. 8 is a cross-sectional view taken along section line 8-8 of FIG. 2;  
 FIG. 9 is an enlarged right end view of FIG. 8;  
 FIG. 10 is a front, top and left perspective view of a second embodiment of the invention shown in FIG. 1;  
 FIG. 11 is a front elevational view of the embodiment of FIG. 10;  
 FIG. 12 is a rear elevational view of the embodiment of FIG. 10;  
 FIG. 13 is a top side view of the embodiment of FIG. 10;  
 FIG. 14 is a bottom side view of the embodiment of FIG. 10;  
 FIG. 15 is a right side view of the embodiment of FIG. 10;  
 FIG. 16 is a left side view of the embodiment of FIG. 10;  
 FIG. 17 is a cross-sectional view taken along section line 17-17 of FIG. 11; and,  
 FIG. 18 is an enlarged right end view of FIG. 17.

**1 Claim, 10 Drawing Sheets**





# US D684,707 S

## U.S. PATENT DOCUMENTS

3,267,626 A	8/1966	Daly		5,670,574 A	9/1997	Hill
3,498,001 A *	3/1970	MacDonald .....	49/501	5,744,230 A	4/1998	Janssen
3,583,522 A	6/1971	Rohweder et al.		5,800,762 A	9/1998	Bethel
3,658,564 A	4/1972	Gerow et al.		5,845,459 A	12/1998	Nathan
3,828,506 A	8/1974	Phillips		5,868,969 A	2/1999	Floden
3,919,444 A	11/1975	Shayman		5,911,818 A	6/1999	Baig
3,955,031 A	5/1976	Jones et al.		5,916,102 A	6/1999	Peyton
4,010,817 A	3/1977	Warren et al.		5,937,612 A	8/1999	Winer et al.
4,016,234 A	4/1977	Warren et al.		5,964,934 A	10/1999	Englert
4,039,709 A	8/1977	Newman		5,979,134 A	11/1999	Neff
4,063,391 A	12/1977	Balinski et al.		6,073,408 A	6/2000	Winer et al.
4,089,146 A	5/1978	Martinez		6,117,514 A	9/2000	Herrmann
4,126,727 A	11/1978	Kaminski		6,160,028 A	12/2000	Dyer
4,128,524 A	12/1978	Barnett et al.		6,205,733 B1	3/2001	Lalonde
4,201,247 A	5/1980	Shannon		6,216,890 B1	4/2001	Rathmer
4,210,070 A	7/1980	Tatum et al.		6,286,273 B1	9/2001	Villela et al.
4,263,093 A	4/1981	Shenk		6,389,771 B1	5/2002	Moller
4,283,891 A	8/1981	Moeller		D458,695 S *	6/2002	Langue ..... D25/157
4,310,587 A	1/1982	Beaupre		6,443,256 B1	9/2002	Baig
4,330,691 A	5/1982	Gordon		6,449,917 B1	9/2002	Sullivan, III
4,393,631 A	7/1983	Krent		6,467,228 B1	10/2002	Wendt et al.
4,432,129 A	2/1984	Featsent		6,488,097 B1	12/2002	MacDonald, III et al.
4,432,182 A	2/1984	Addie et al.		6,616,804 B2	9/2003	Foster et al.
4,437,287 A	3/1984	Halfaker		6,617,009 B1	9/2003	Chen et al.
4,443,392 A	4/1984	Becker et al.		6,701,686 B1	3/2004	Platt
4,473,404 A	9/1984	Eckardt et al.		6,723,434 B2	4/2004	Setten et al.
4,548,013 A	10/1985	Briceño		6,740,386 B2	5/2004	Hutchison
4,559,368 A	12/1985	Heinen		6,752,218 B2	6/2004	MacDonald, III et al.
4,619,086 A	10/1986	Naka		6,835,676 B2	12/2004	Kim et al.
4,620,998 A	11/1986	Lalvani		6,851,238 B2	2/2005	Rebman
4,642,951 A	2/1987	Mortimer		6,877,585 B2	4/2005	Tinianov
4,648,229 A	3/1987	Limp		6,894,123 B2	5/2005	Pelosi et al.
4,687,694 A	8/1987	Kuper et al.		6,905,751 B2	6/2005	Jauregui
4,692,372 A	9/1987	Parkinson et al.		6,918,212 B1	7/2005	Anderson, Sr.
4,693,924 A	9/1987	Kuper et al.		6,925,764 B2	8/2005	Hrovath et al.
4,696,142 A	9/1987	Mieyal et al.		6,960,543 B2	11/2005	Kim et al.
4,698,257 A	10/1987	Goll		7,029,618 B2	4/2006	Pelosi et al.
4,720,955 A	1/1988	Kane		7,412,801 B2	8/2008	Papakonstantinou
4,722,858 A	2/1988	Harbourne et al.		2002/0029929 A1	3/2002	Tinianov
4,761,926 A	8/1988	Rea et al.		2002/0096243 A1	7/2002	Harrison
4,773,194 A	9/1988	Nassof		2002/0096278 A1	7/2002	Foster et al.
4,786,543 A	11/1988	Ferm		2002/0139611 A1	10/2002	Baig
4,832,152 A	5/1989	Schuelke et al.		2002/0152704 A1	10/2002	Thompson et al.
4,843,789 A	7/1989	Naka		2002/0180642 A1	12/2002	Frecska
4,856,640 A	8/1989	Beswick et al.		2003/0013828 A1	1/2003	Shimada et al.
4,901,485 A	2/1990	Menchetti et al.		2003/0022577 A1	1/2003	Kim et al.
4,911,788 A	3/1990	Pittman et al.		2003/0041987 A1	3/2003	Foster et al.
4,990,407 A	2/1991	Watras		2003/0124397 A1	7/2003	Kim et al.
5,001,883 A	3/1991	Landheer		2003/0170317 A1	9/2003	Curzon et al.
5,017,637 A	5/1991	Smith et al.		2004/0035318 A1	2/2004	Gang
5,024,840 A	6/1991	Blakely et al.		2004/0037992 A1	2/2004	Hrovath et al.
5,047,463 A	9/1991	Keskey et al.		2004/0040256 A1	3/2004	Bui
5,076,985 A	12/1991	Koch et al.		2004/0173783 A1	9/2004	Curzon et al.
5,081,812 A	1/1992	Reynolds		2004/0177976 A1	9/2004	MacDonald, III et al.
5,129,202 A	7/1992	Payne et al.		2005/0072090 A1	4/2005	McLaughlin
5,149,920 A	9/1992	Meeker et al.		2005/0108966 A1	5/2005	Jaeger
5,218,027 A	6/1993	Smith et al.		2005/0116667 A1	6/2005	Mueller et al.
5,277,952 A	1/1994	Watras		2005/0153611 A1	7/2005	Osumi et al.
5,338,349 A	8/1994	Farrar		2005/0166506 A1	8/2005	Morelissen et al.
5,395,438 A	3/1995	Baig et al.		2005/0276053 A1	12/2005	Nortrup et al.
5,447,004 A	9/1995	Vrnak		2006/0029835 A1	2/2006	Kim et al.
5,464,286 A	11/1995	Stevens et al.		2006/0037266 A1	2/2006	Chen
D367,120 S *	2/1996	Tinen .....	D25/157			
5,545,441 A	8/1996	Land				
5,598,678 A	2/1997	Reynolds				
5,619,833 A	4/1997	Neff				
5,620,278 A	4/1997	Clarke				

## OTHER PUBLICATIONS

Design U.S. Appl. No. 29/404,723, filed Oct. 25, 2011 entitled "Ceiling Title" invented by Richard Yonash.

\* cited by examiner



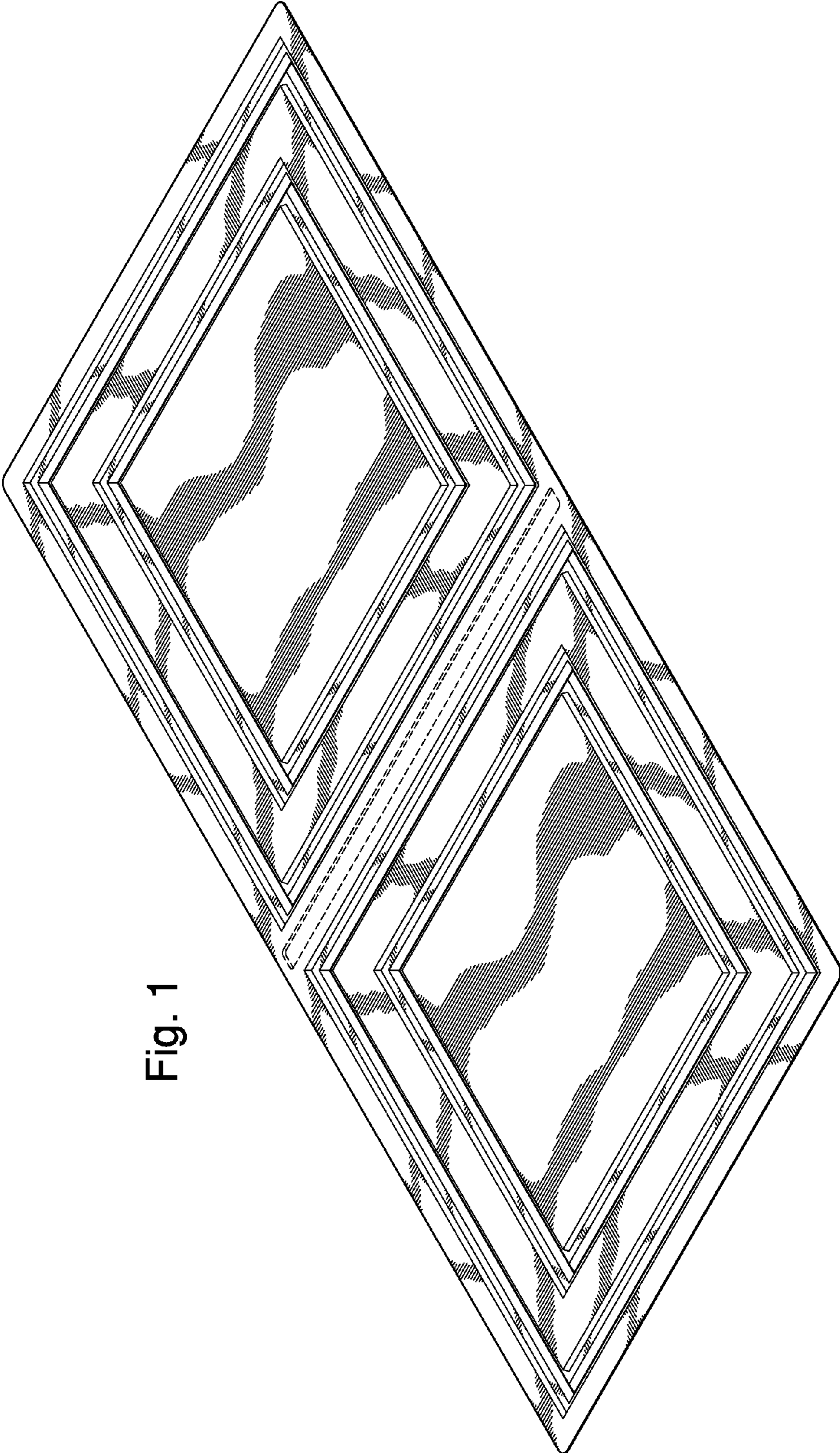


Fig. 1

Fig. 2

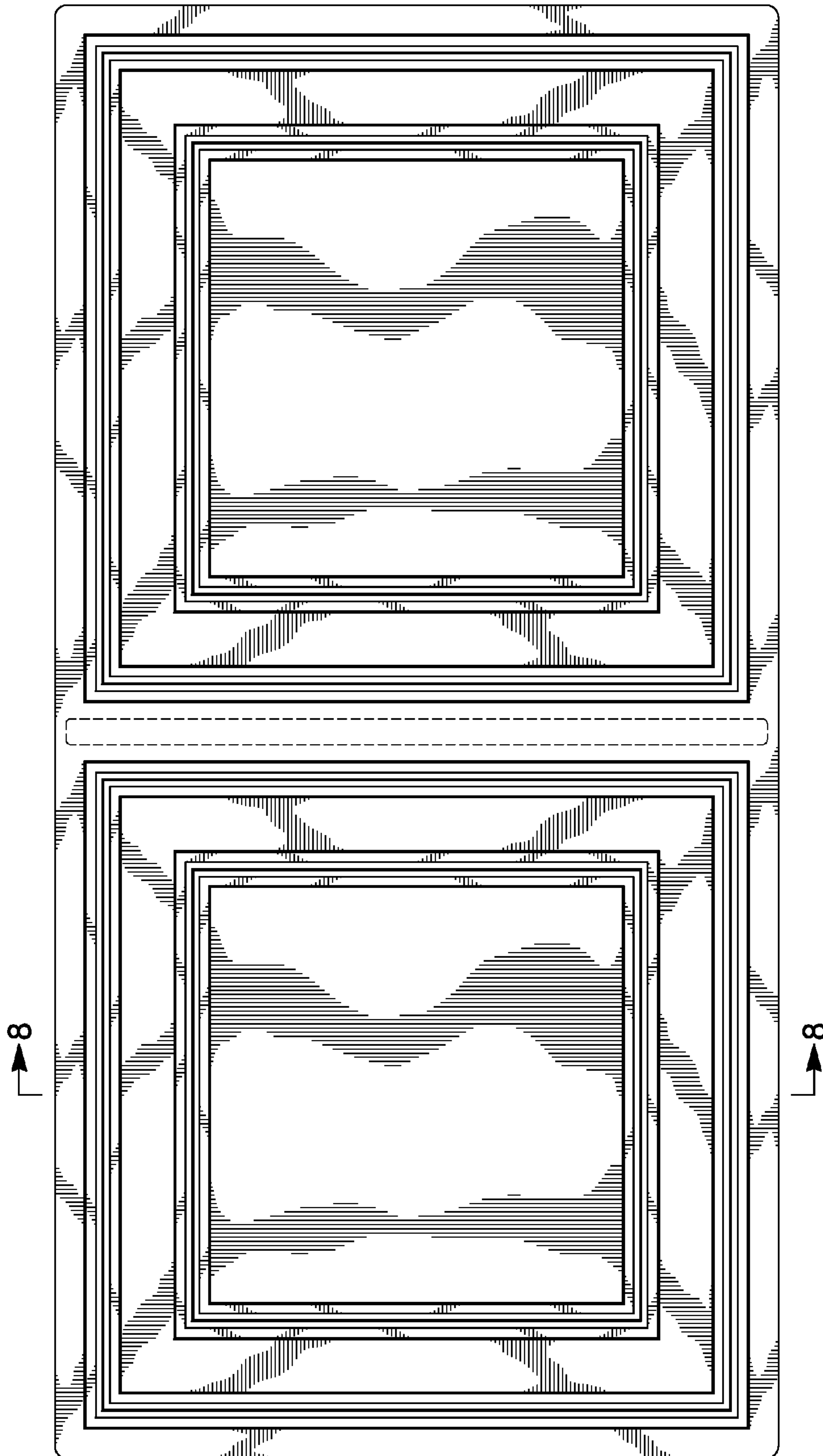


Fig. 3

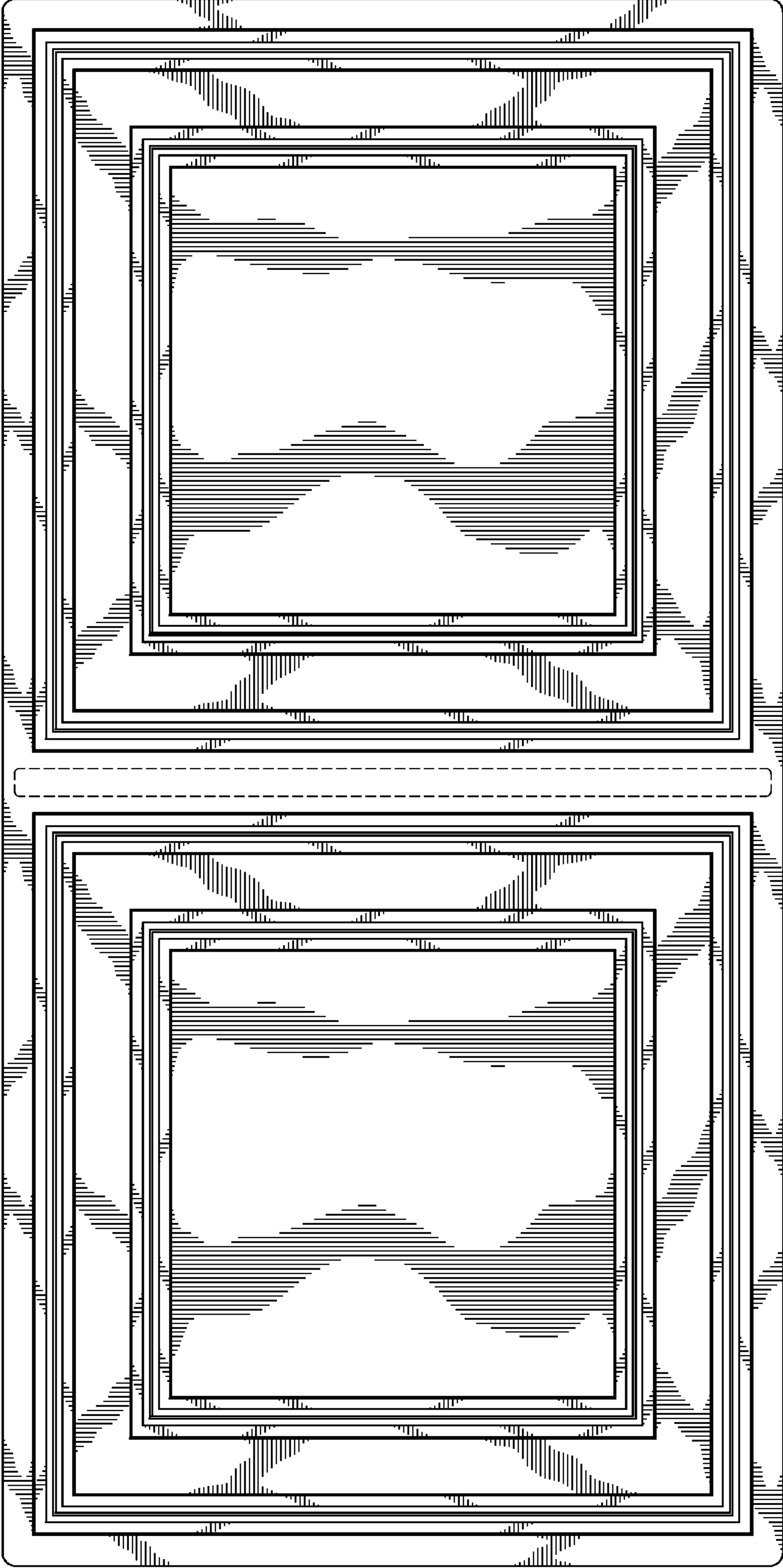


Fig. 4



Fig. 5



Fig. 6

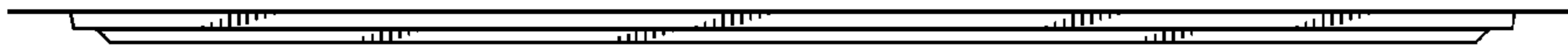


Fig. 7

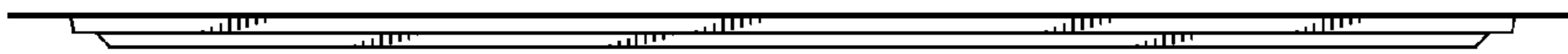


Fig. 8

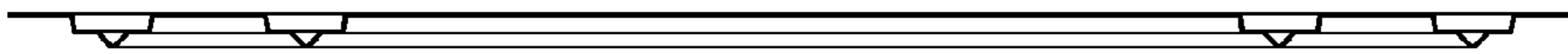
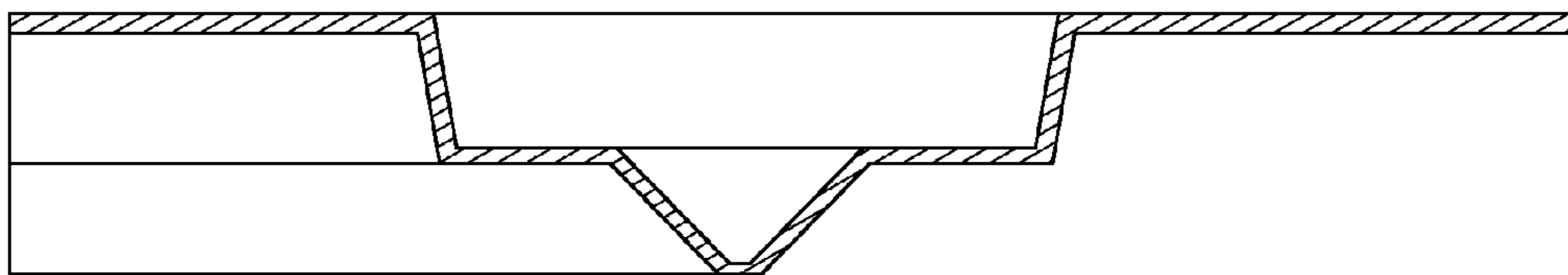


Fig. 9





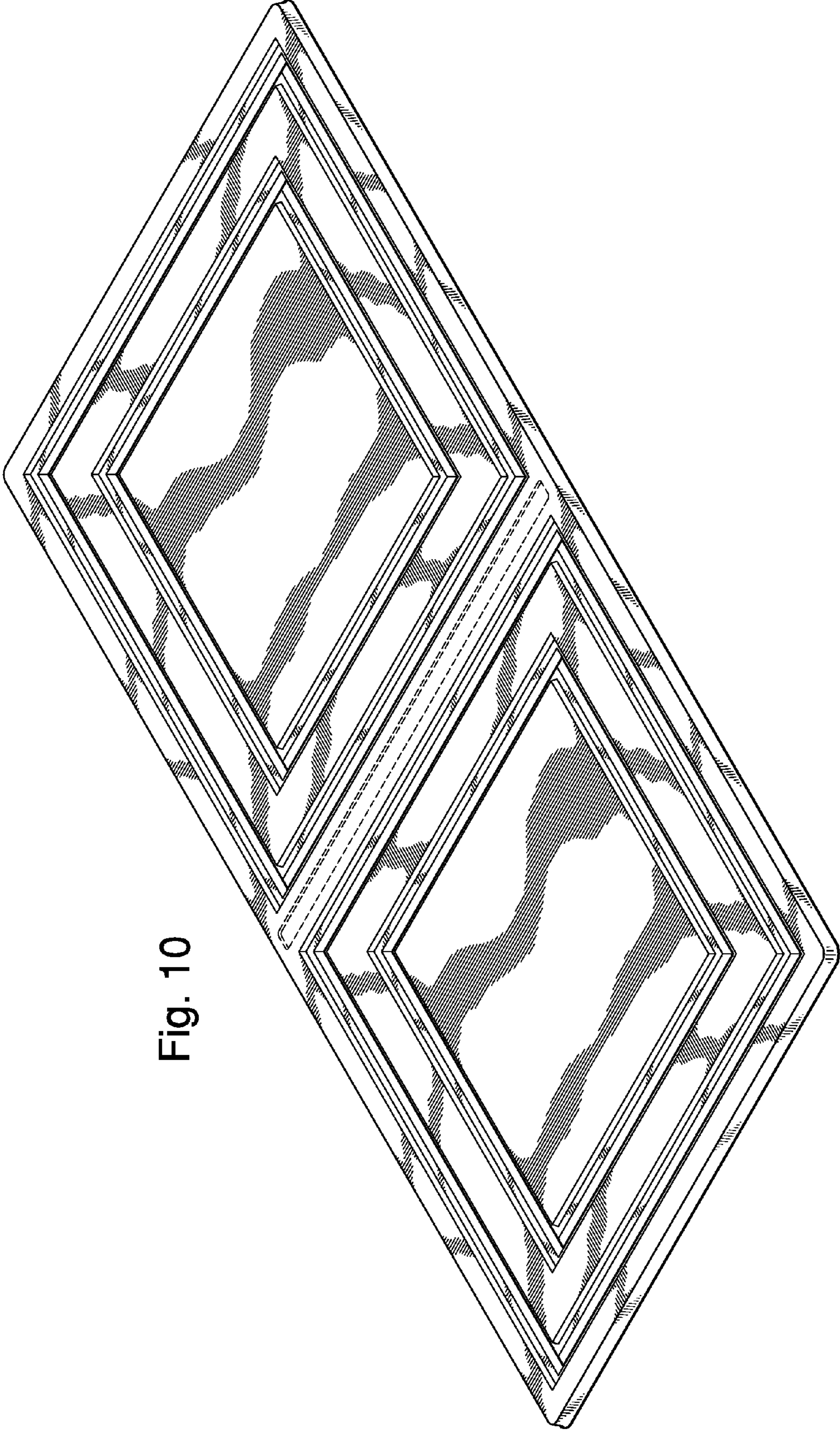


Fig. 10



Fig. 11

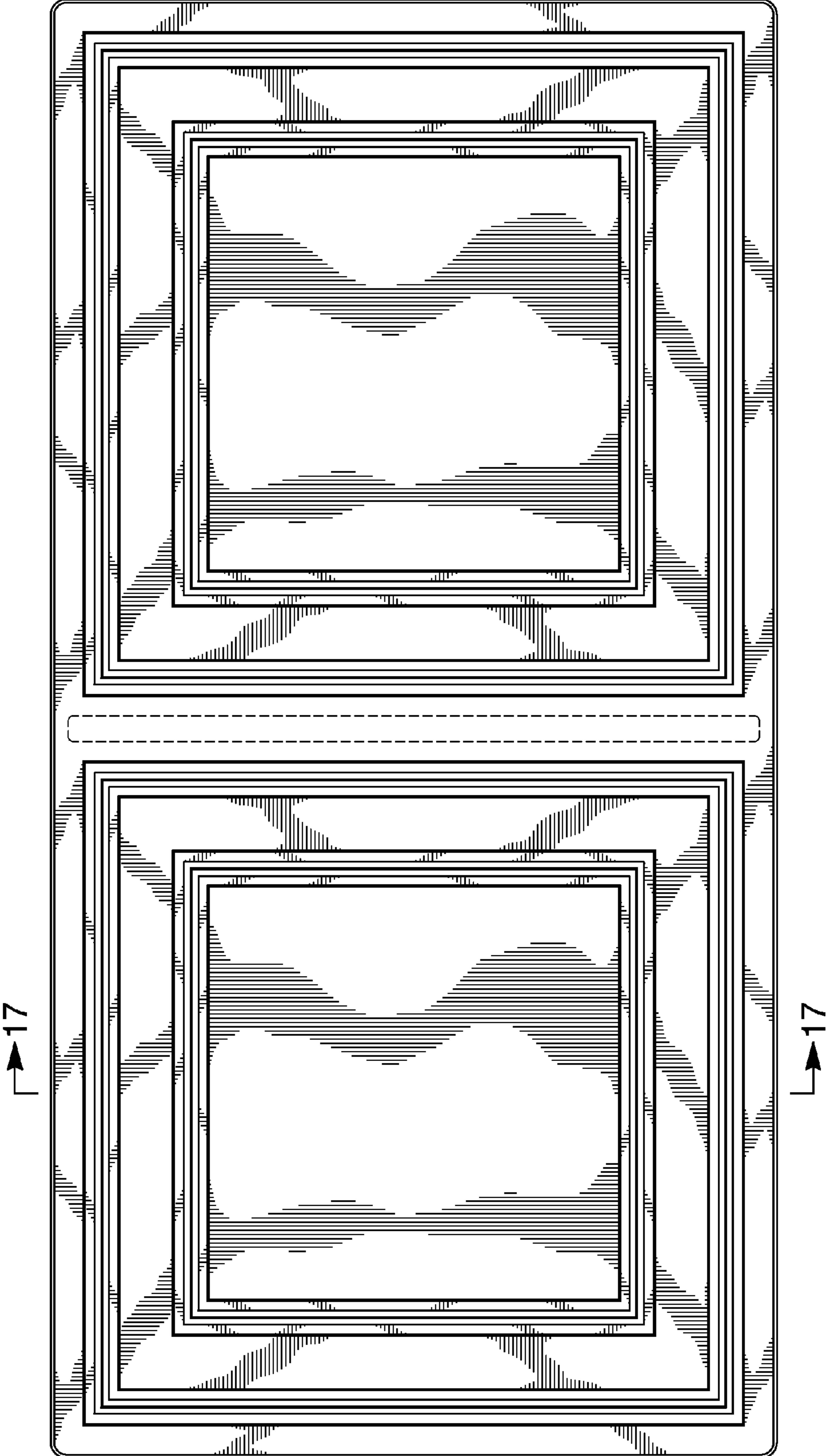


Fig. 12

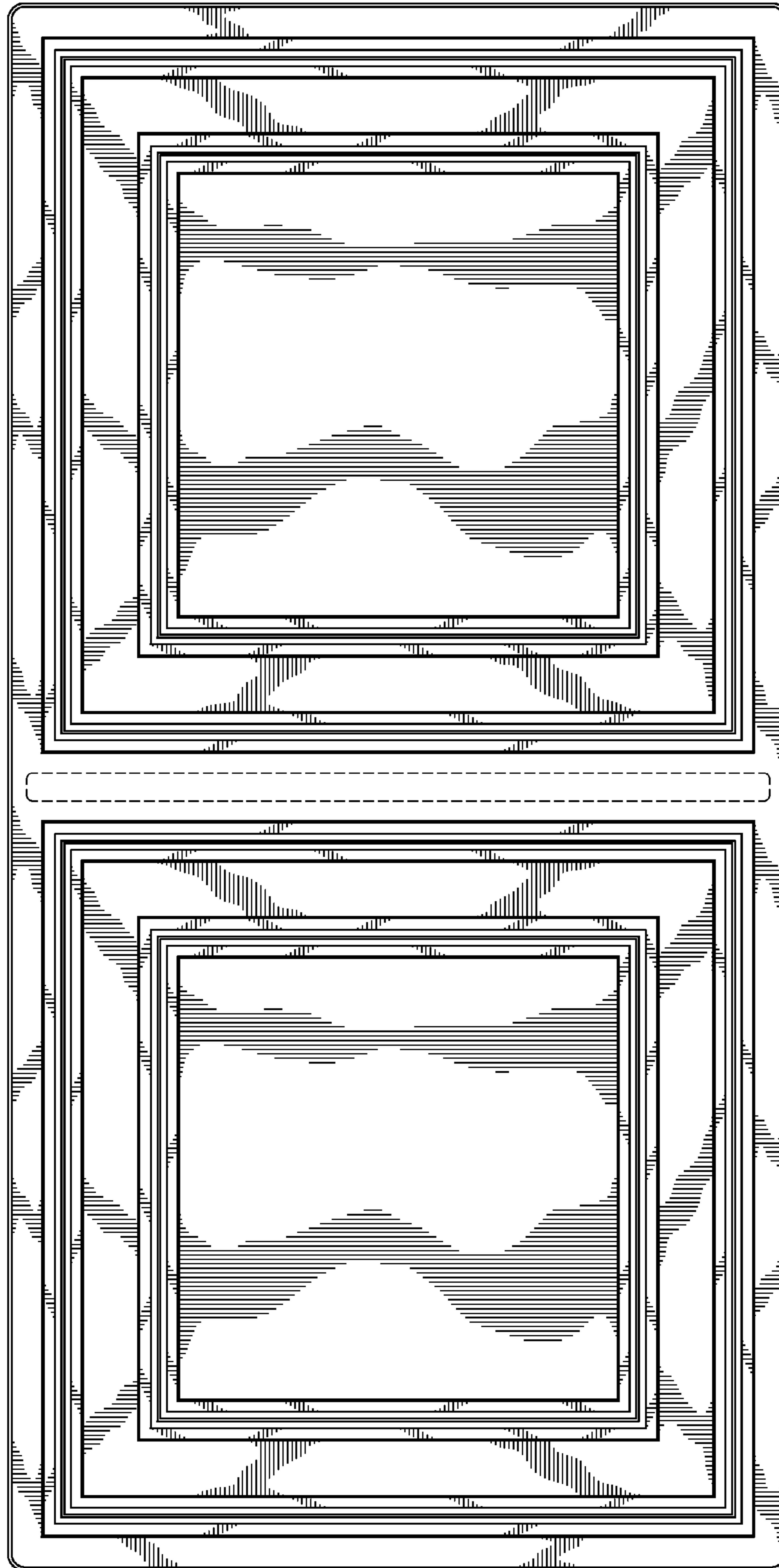


Fig. 13



Fig. 14





Fig. 15

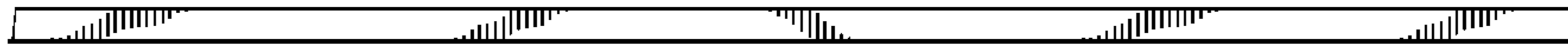


Fig. 16

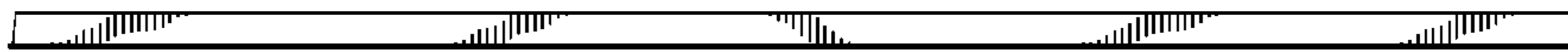


Fig. 17

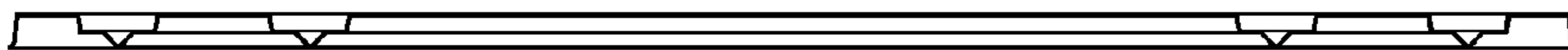


Fig. 18

