



US00D684706S

(12) **United States Design Patent**
Nolan et al.

(10) **Patent No.:** **US D684,706 S**
(45) **Date of Patent:** **** Jun. 18, 2013**

- (54) **WATER BARRIER TRIM**
- (71) Applicants: **Patrick Nolan**, Royersford, PA (US);
Michael A. Dotsey, Pottstown, PA (US)
- (72) Inventors: **Patrick Nolan**, Royersford, PA (US);
Michael A. Dotsey, Pottstown, PA (US)
- (73) Assignee: **AZEK Building Products, Inc.**,
Scranton, PA (US)
- (**) Term: **14 Years**
- (21) Appl. No.: **29/440,517**
- (22) Filed: **Dec. 21, 2012**

5,170,597	A *	12/1992	Stearns	52/58
5,321,921	A	6/1994	Holt		
5,507,123	A	4/1996	Holt		
5,590,496	A	1/1997	Martin et al.		
5,644,878	A	7/1997	Wehrmann		
5,735,035	A	4/1998	Holt		
5,884,435	A	3/1999	David et al.		
5,899,026	A *	5/1999	Williams et al.	52/58
6,047,502	A	4/2000	Kimmitt et al.		
6,167,660	B1 *	1/2001	Sama	52/58
6,223,484	B1	5/2001	Minter		
6,334,283	B1 *	1/2002	Edger	52/204.1
D479,751	S *	9/2003	Schofield	D25/119
D507,353	S *	7/2005	Rasmussen	D25/119
7,155,864	B1 *	1/2007	Din	52/11
7,673,421	B2	3/2010	Pilz		
7,784,238	B2	8/2010	Bannister		
2003/0056445	A1 *	3/2003	Cox	52/62
2005/0166471	A1	8/2005	Allen		
2005/0204657	A1	9/2005	Ellingson		
2008/0178557	A1	7/2008	Parsons et al.		
2009/0229193	A1	9/2009	Ellingson		
2010/0212234	A1	8/2010	Monteer		

Related U.S. Application Data

- (62) Division of application No. 12/986,413, filed on Jan. 7, 2011, now Pat. No. 8,347,567.
- (51) **LOC (9) Cl.** **25-01**
- (52) **U.S. Cl.**
USPC **D25/119**; D25/55; D25/136
- (58) **Field of Classification Search**
USPC 52/236.6, 264, 272, 287.1, 255, 242,
52/293.1, 169.12, 434, 435, 800.1, 716.1,
52/717.01, 716.8, 718.01, 718.04, 11, 13,
52/14, 15, 58, 213, 60, 61, 62, 290, 220.7,
52/211, 204.53, 588.1, 590.1, 589.1, 97,
52/95; D25/119, 136, 55
See application file for complete search history.

* cited by examiner

Primary Examiner — Doris Clark

(74) *Attorney, Agent, or Firm* — Buchanan Ingersoll & Rooney PC

(57) **CLAIM**

The ornamental design for a water barrier trim, as shown and described.

DESCRIPTION

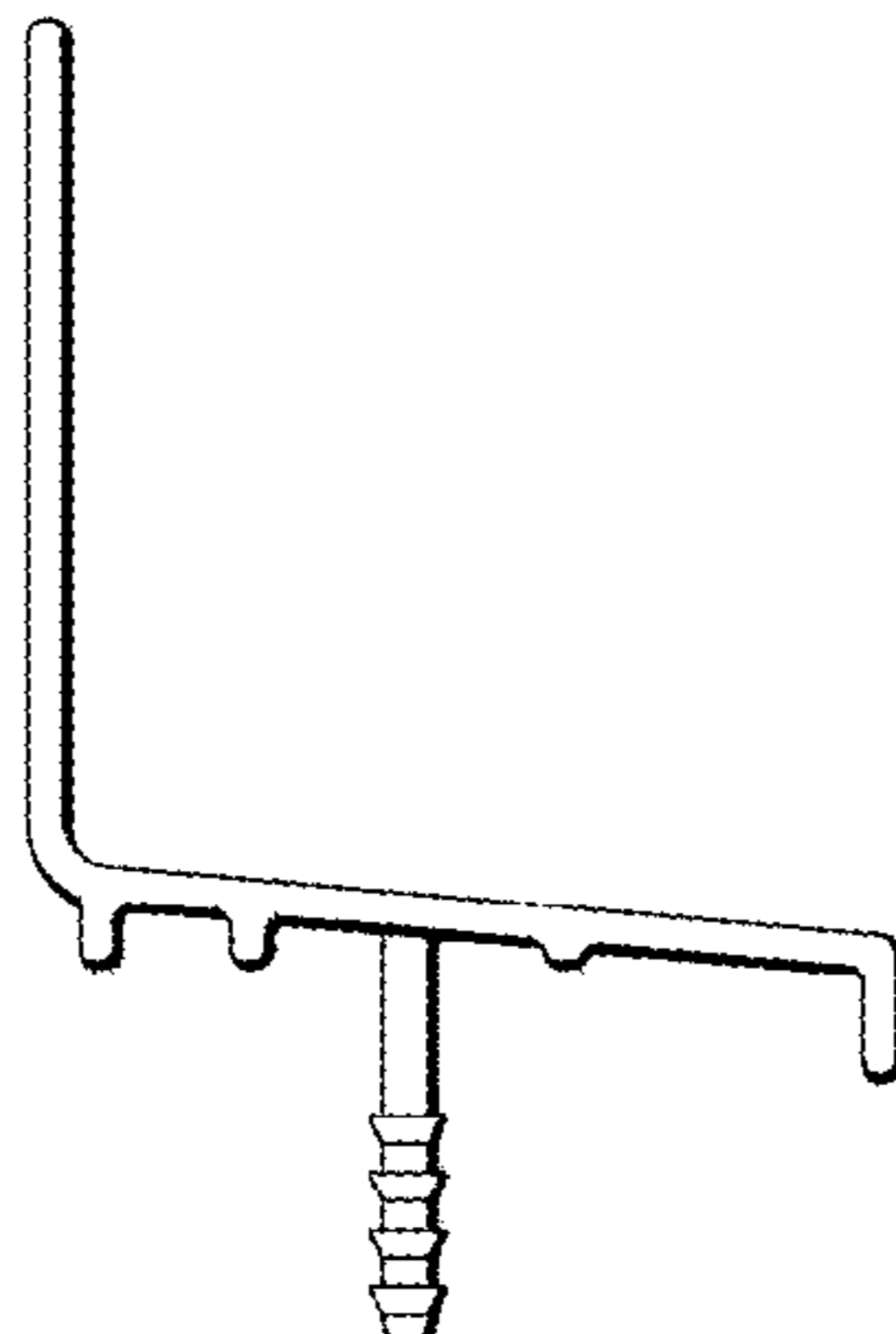
FIG. 1 is a right side view of our water barrier trim, the left side view being a mirror image thereof;
 FIG. 2 is a front view thereof;
 FIG. 3 is a rear view thereof;
 FIG. 4 is a top view thereof;
 FIG. 5 is a bottom view thereof; and,
 FIG. 6 is a perspective view thereof.
 In FIGS. 2 through 6 the water barrier trim is cut to indicate that the water barrier trim can be of any length.

1 Claim, 3 Drawing Sheets

(56) **References Cited**

U.S. PATENT DOCUMENTS

1,767,569	A	6/1930	Anderson		
3,442,055	A	5/1969	Posey		
3,527,012	A *	9/1970	Hemminger	52/665
4,055,916	A	11/1977	Yamamoto et al.		
4,601,149	A	7/1986	Dokan		
4,660,463	A	4/1987	Bottomore et al.		
4,999,957	A	3/1991	Kessler		
5,119,609	A	6/1992	Tait et al.		



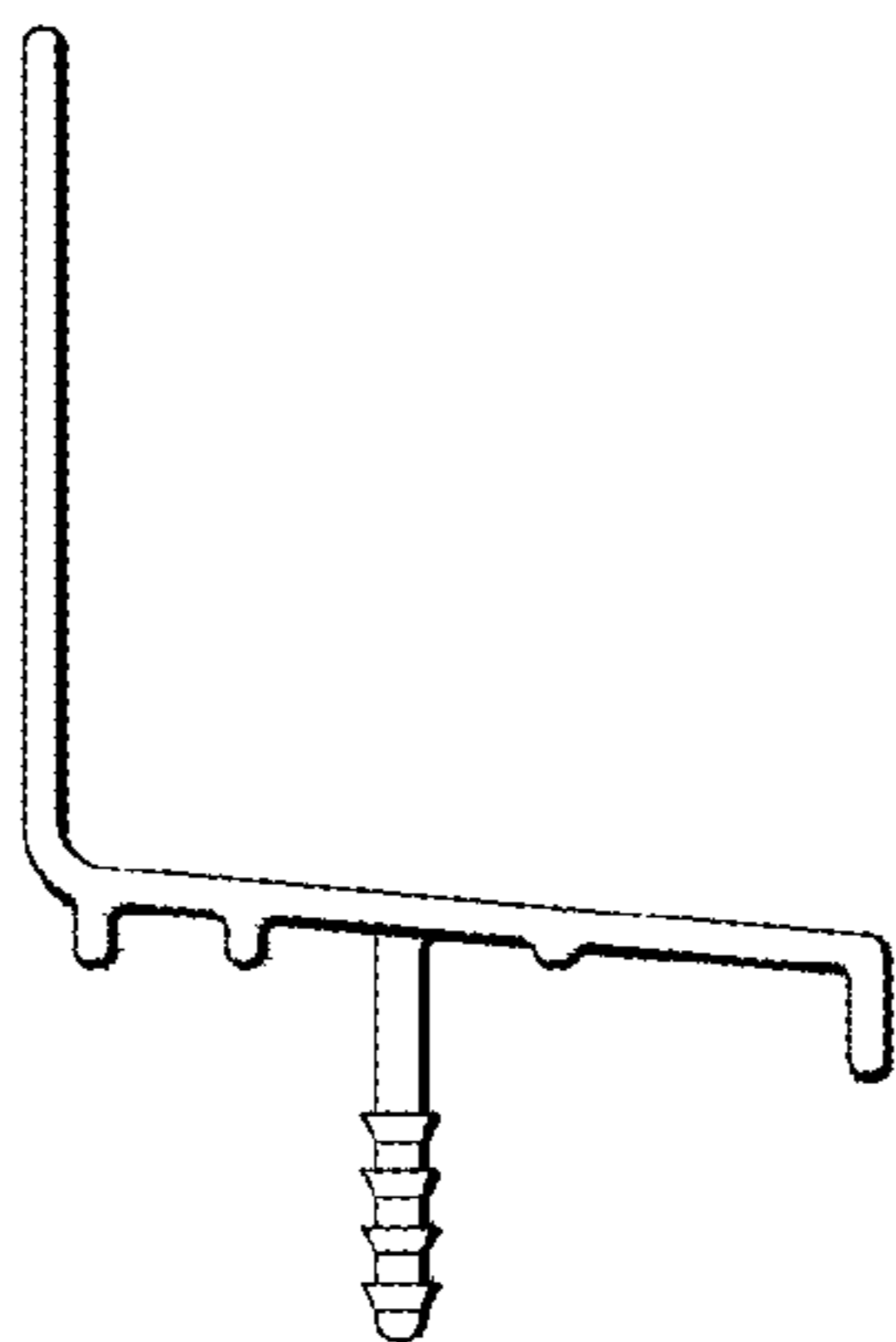


FIG. 1

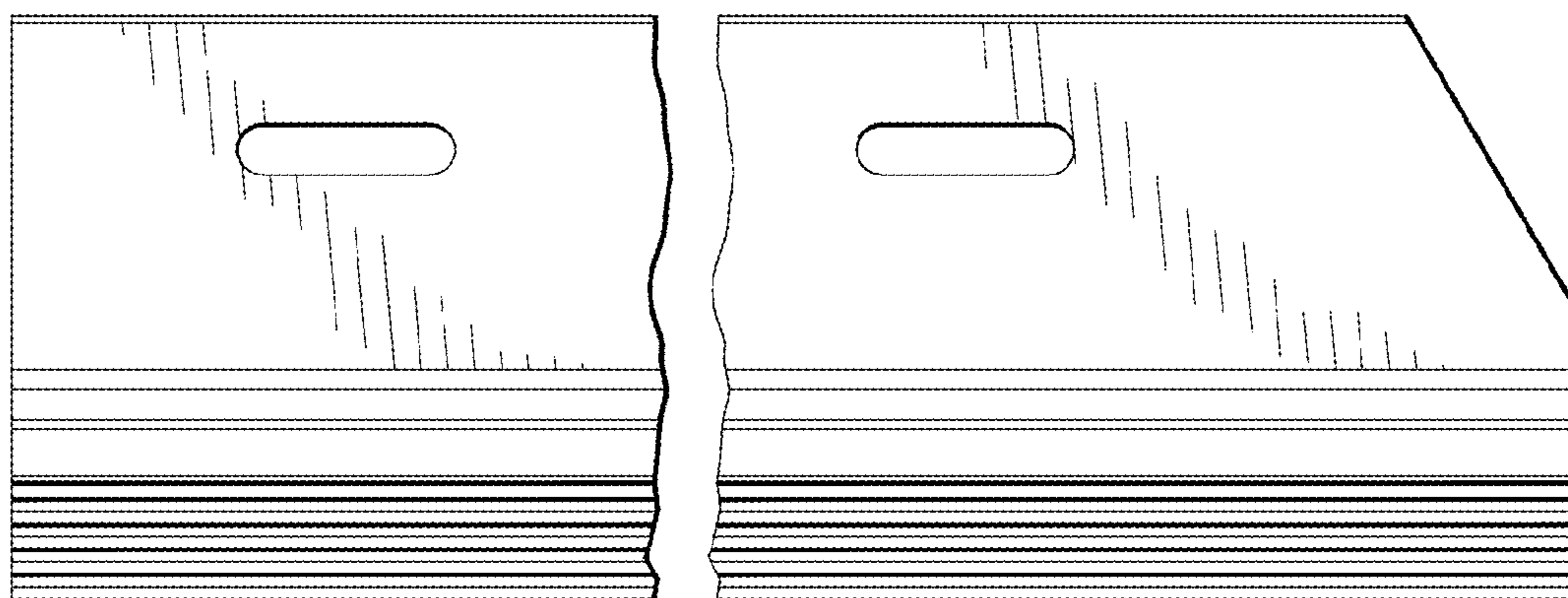


FIG. 2

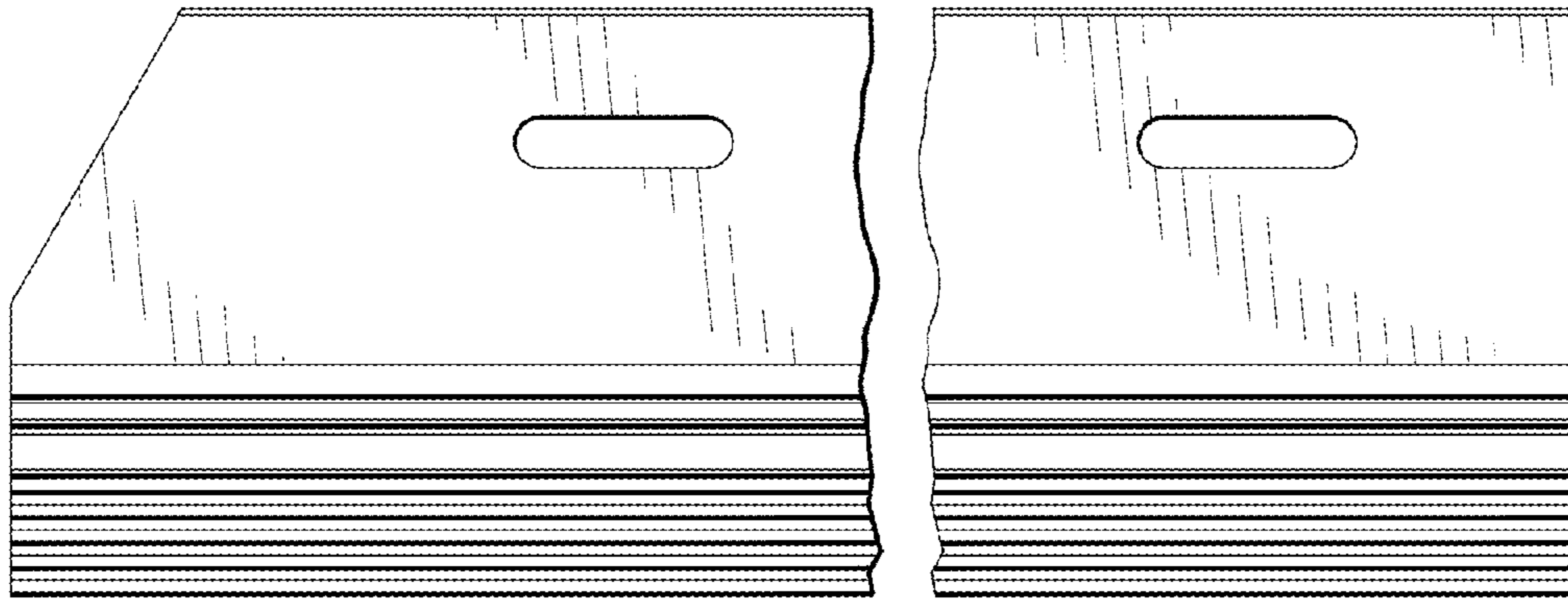


FIG. 3

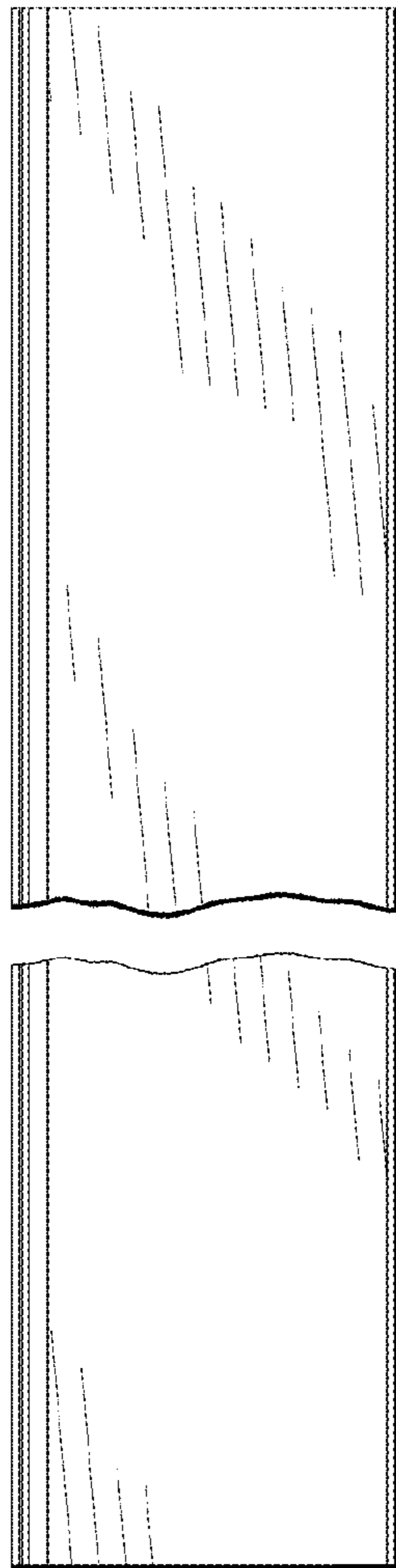


FIG. 4

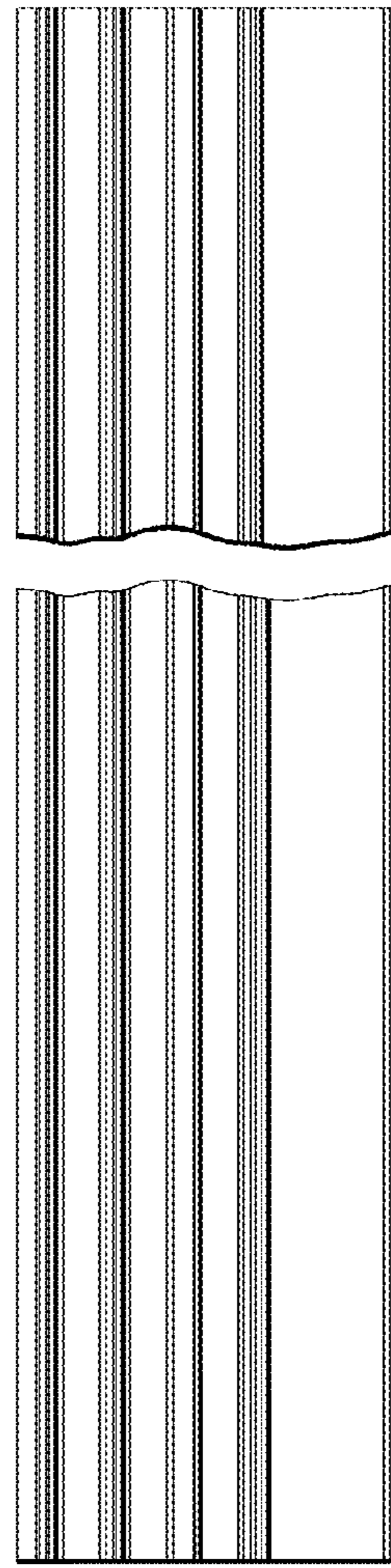


FIG. 5

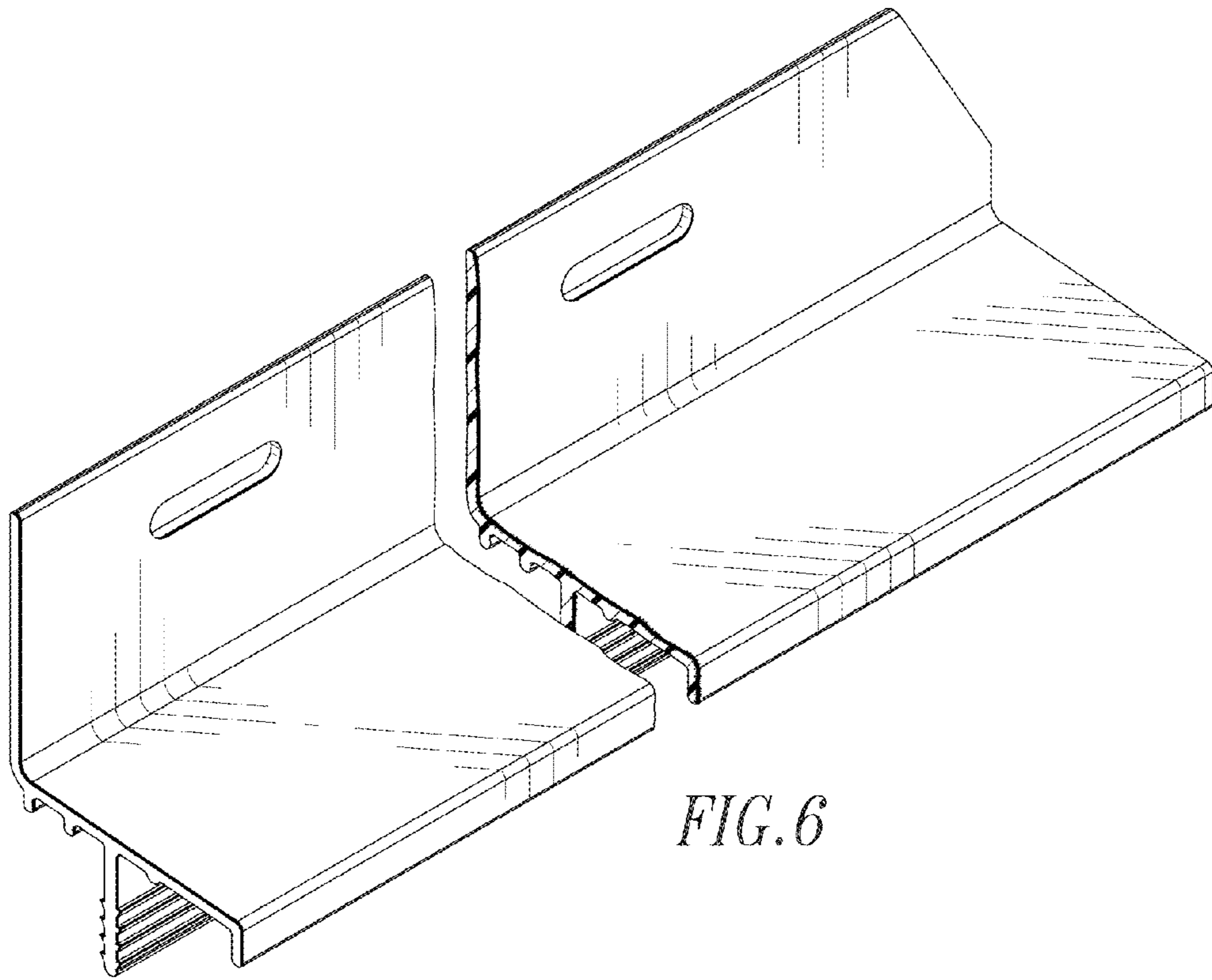


FIG. 6