



US00D684705S

(12) **United States Design Patent**
Curtas

(10) **Patent No.:** **US D684,705 S**
(45) **Date of Patent:** **** Jun. 18, 2013**

(54) **DECK BOARD**

(75) Inventor: **Luke D. Curtas**, Fredericksburg, VA
(US)

(73) Assignee: **Mid Atlantic Vinyl Products, Inc.**,
Fredericksburg, VA (US)

(**) Term: **14 Years**

(21) Appl. No.: **29/395,345**

(22) Filed: **Jan. 5, 2012**

(51) **LOC (9) Cl.** **25-01**

(52) **U.S. Cl.**
USPC **D25/119; D25/138**

(58) **Field of Classification Search**
USPC D25/138, 119, 121; 52/177, 578,
52/580, 581, 588.1, 589.1, 590.1, 590.2
See application file for complete search history.

(56) **References Cited**

U.S. PATENT DOCUMENTS

5,836,128 A * 11/1998 Groh et al. 52/580
D485,621 S * 1/2004 Deel D25/119

D487,316 S * 3/2004 Suwanda et al. D25/138
6,918,221 B2 * 7/2005 Williams 52/592.1
7,406,801 B2 * 8/2008 Zeng et al. 52/177
2010/0107530 A1 * 5/2010 Pietruczynik et al. 52/313

* cited by examiner

Primary Examiner — Doris Clark

(74) *Attorney, Agent, or Firm* — Jeffrey D. Carter

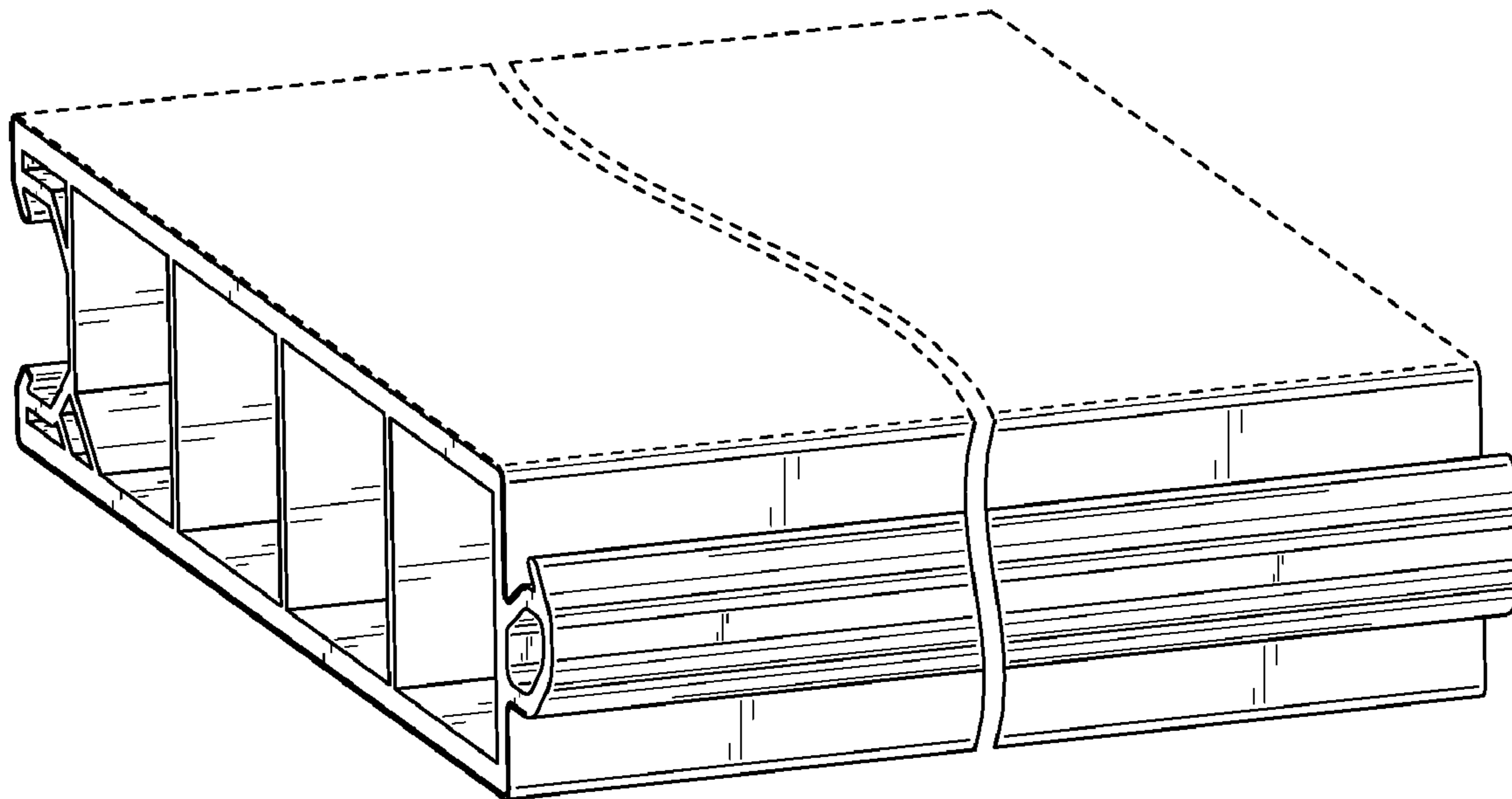
(57) **CLAIM**

The ornamental design of a deck board, as shown and described.

DESCRIPTION

FIG. 1 is a front view of the deck board of the present invention, the rear view being a mirror image of the front view; FIG. 2 is a left side view thereof; FIG. 3 is a right side view thereof; FIG. 4 is a perspective left side view thereof; and, FIG. 5 is a perspective right side view thereof. The top and bottom surfaces of the deck board shown in dashed lines form no part of the claimed invention.

1 Claim, 2 Drawing Sheets



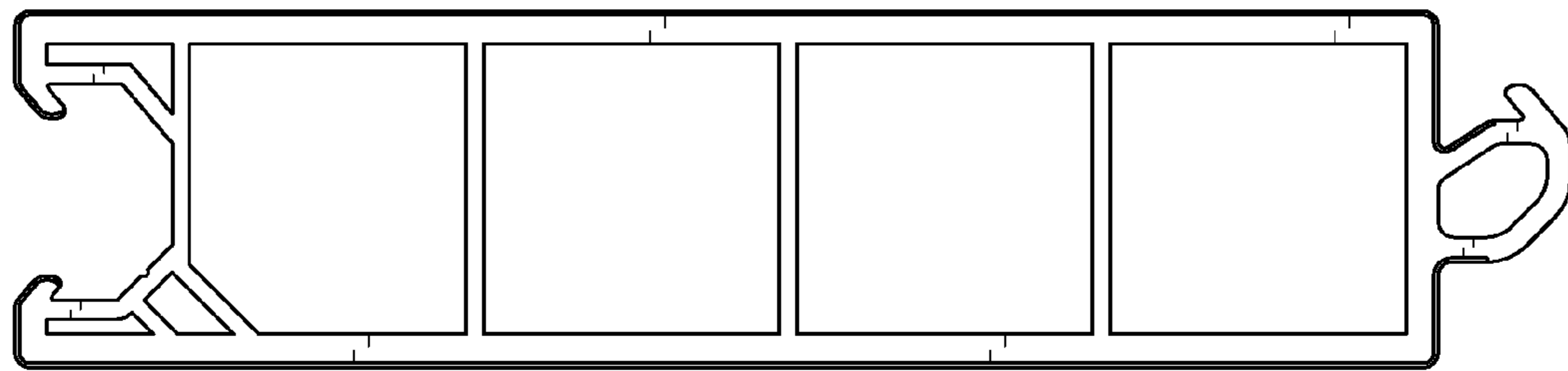


FIG. 1

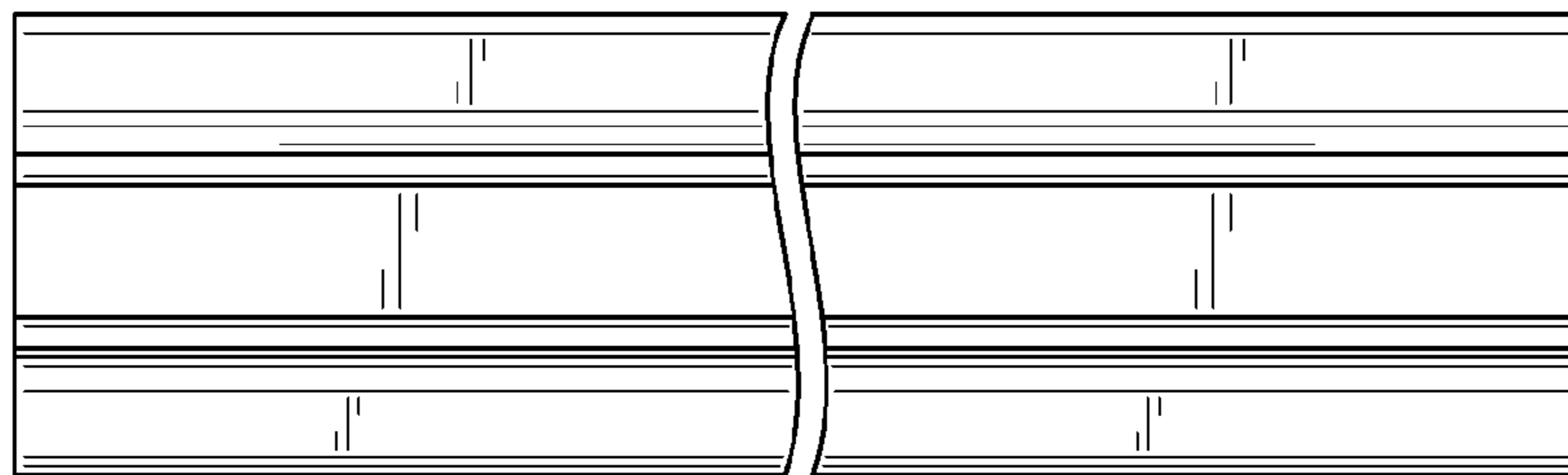


FIG. 2

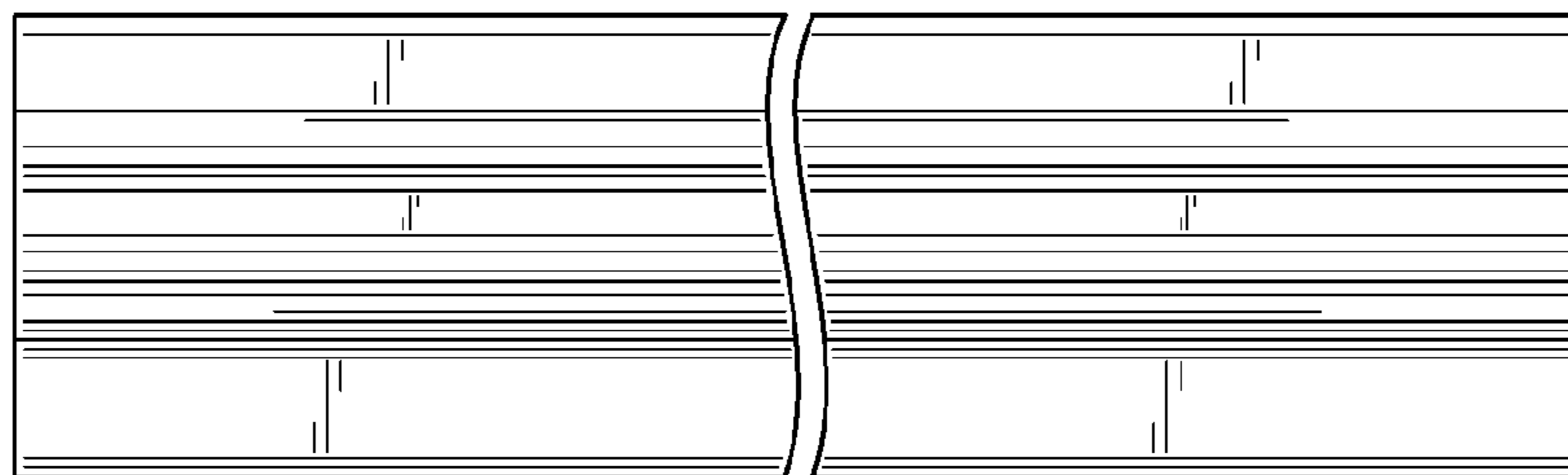


FIG. 3

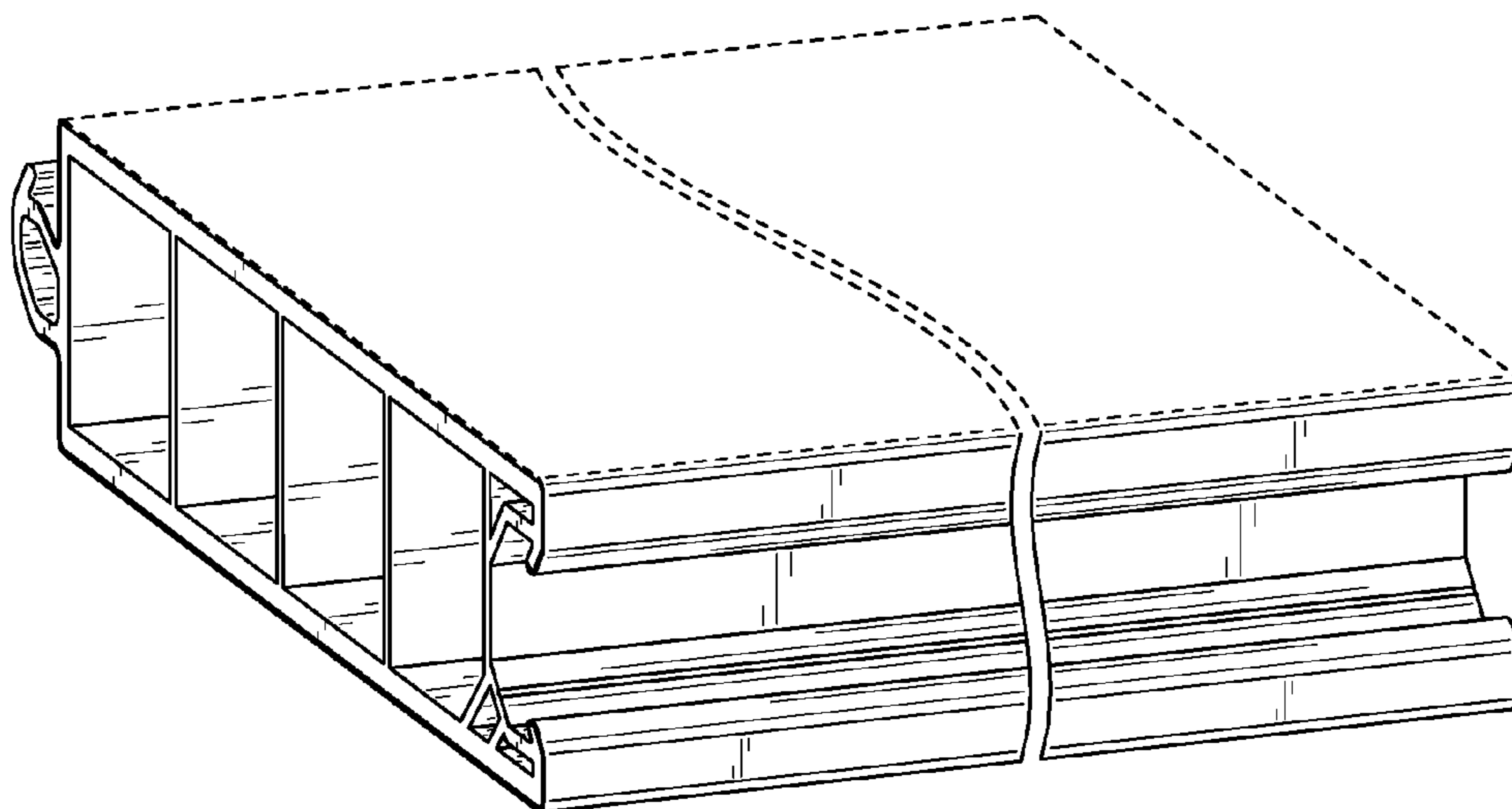


FIG. 4

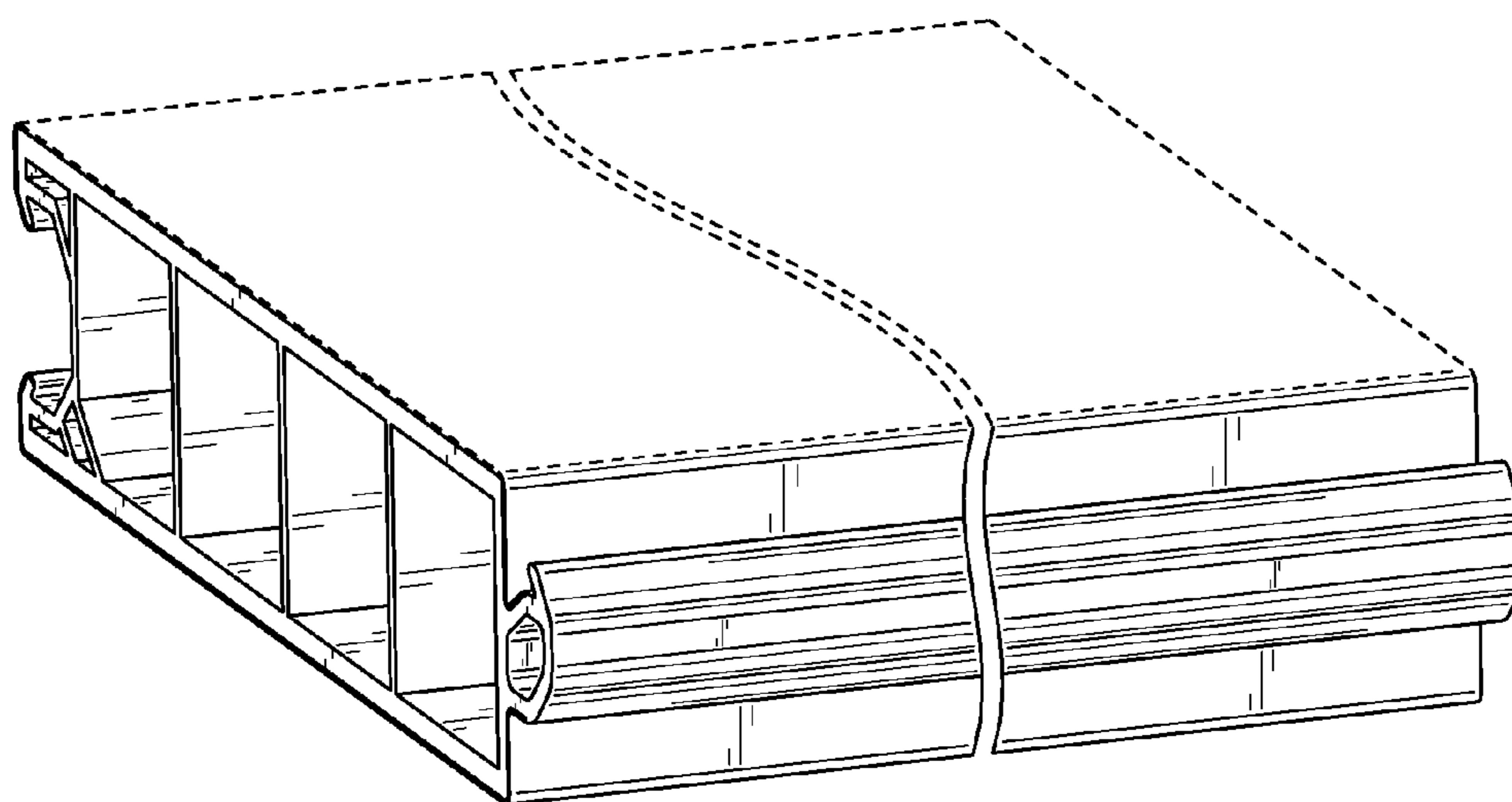


FIG. 5