



US00D684701S

(12) **United States Design Patent**
Uygur

(10) **Patent No.:** **US D684,701 S**
(45) **Date of Patent:** **** Jun. 18, 2013**

(54) **VIBRATION DEVICE**

(76) Inventor: **Mehmet Uygur**, Fontana, CA (US)

(**) Term: **14 Years**

(21) Appl. No.: **29/394,548**

(22) Filed: **Jun. 17, 2011**

(51) **LOC (9) Cl.** **28-03**

(52) **U.S. Cl.**
USPC **D24/215**

(58) **Field of Classification Search**
USPC D24/200, 211-215, 141; 601/27,
601/28, 33, 40, 46, 47, 48, 63, 80, 99, 104,
601/112, 113, 114, 119, 122, 125, 129, 134,
601/135, 137, DIG. 12, DIG. 13, DIG. 14,
601/DIG. 15, DIG. 16, DIG. 17; D14/137,
D14/147

See application file for complete search history.

(56) **References Cited**

U.S. PATENT DOCUMENTS

D429,819	S	*	8/2000	Coolidge	D24/215
D430,677	S	*	9/2000	Robinson	D24/215
6,203,509	B1	*	3/2001	Duboff	601/70
D439,984	S	*	4/2001	Thach	D24/215
6,641,547	B2	*	11/2003	Sevier et al.	601/135

D488,232	S	*	4/2004	Nan	D24/215
D509,592	S	*	9/2005	Talbot et al.	D24/215
D514,226	S	*	1/2006	Nan	D24/215
D523,151	S	*	6/2006	Telford	D24/215
D523,152	S	*	6/2006	Telford	D24/215
D563,557	S	*	3/2008	Fink	D24/200
D567,957	S	*	4/2008	Critchley	D24/215
D567,958	S	*	4/2008	Talbot et al.	D24/215
D630,763	S	*	1/2011	Marshall	D24/215
D636,887	S	*	4/2011	Nan	D24/215
D639,442	S	*	6/2011	Chandler	D24/190

* cited by examiner

Primary Examiner — Sandra Snapp

(74) *Attorney, Agent, or Firm* — Loza & Loza LLP; Heidi L. Eisenhut

(57) **CLAIM**

The ornamental design for a vibration device, as shown and described.

DESCRIPTION

FIG. 1 is a side view of a vibration device, showing my new design.

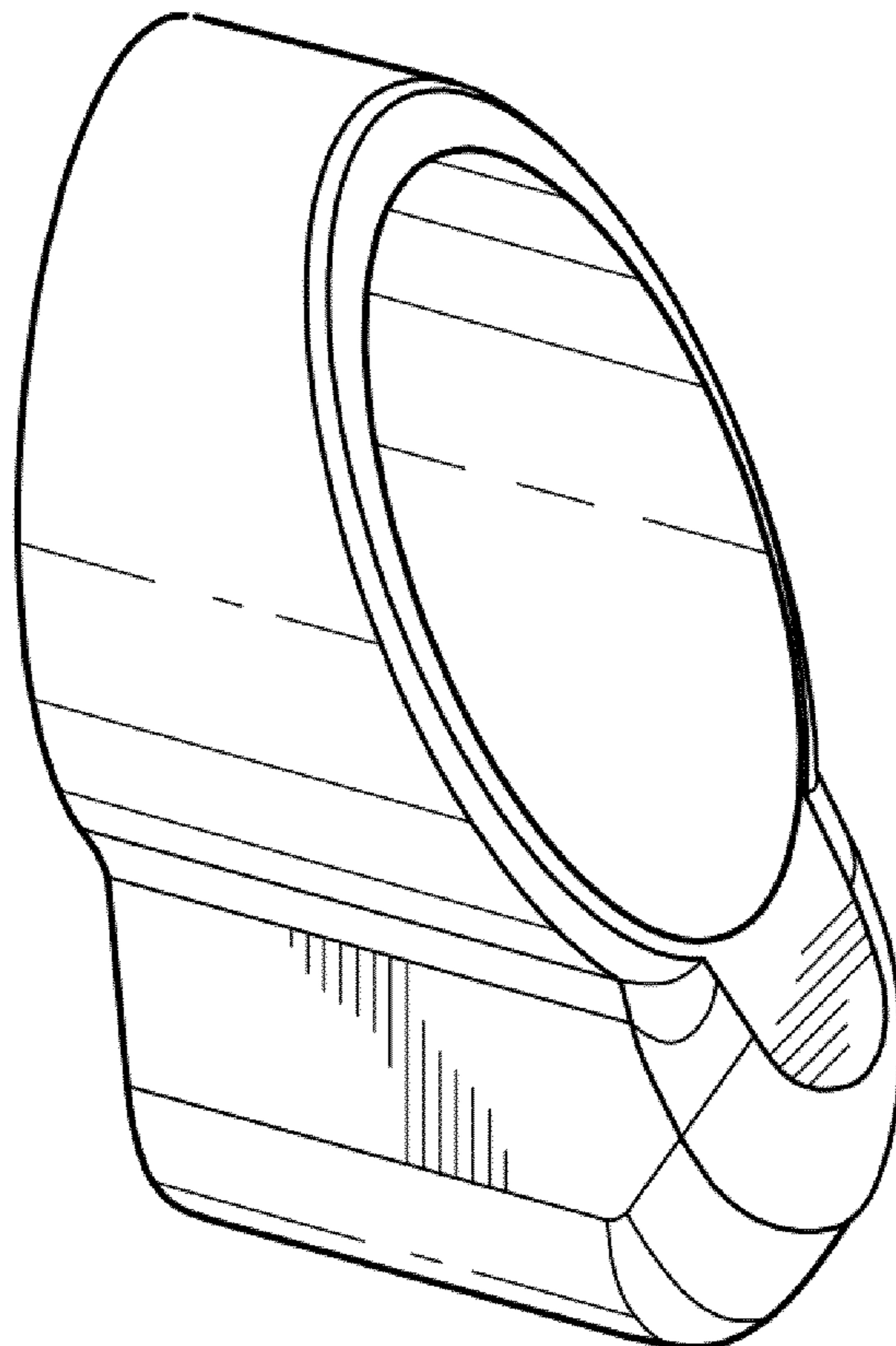
FIG. 2 is an inverted front view thereof.

FIG. 3 a rear view thereof.

FIG. 4 is a right perspective view, showing the back thereof; and,

FIG. 5 is a right perspective view, showing the front thereof. Broken lines, if any, form no part of the claimed design.

1 Claim, 1 Drawing Sheet



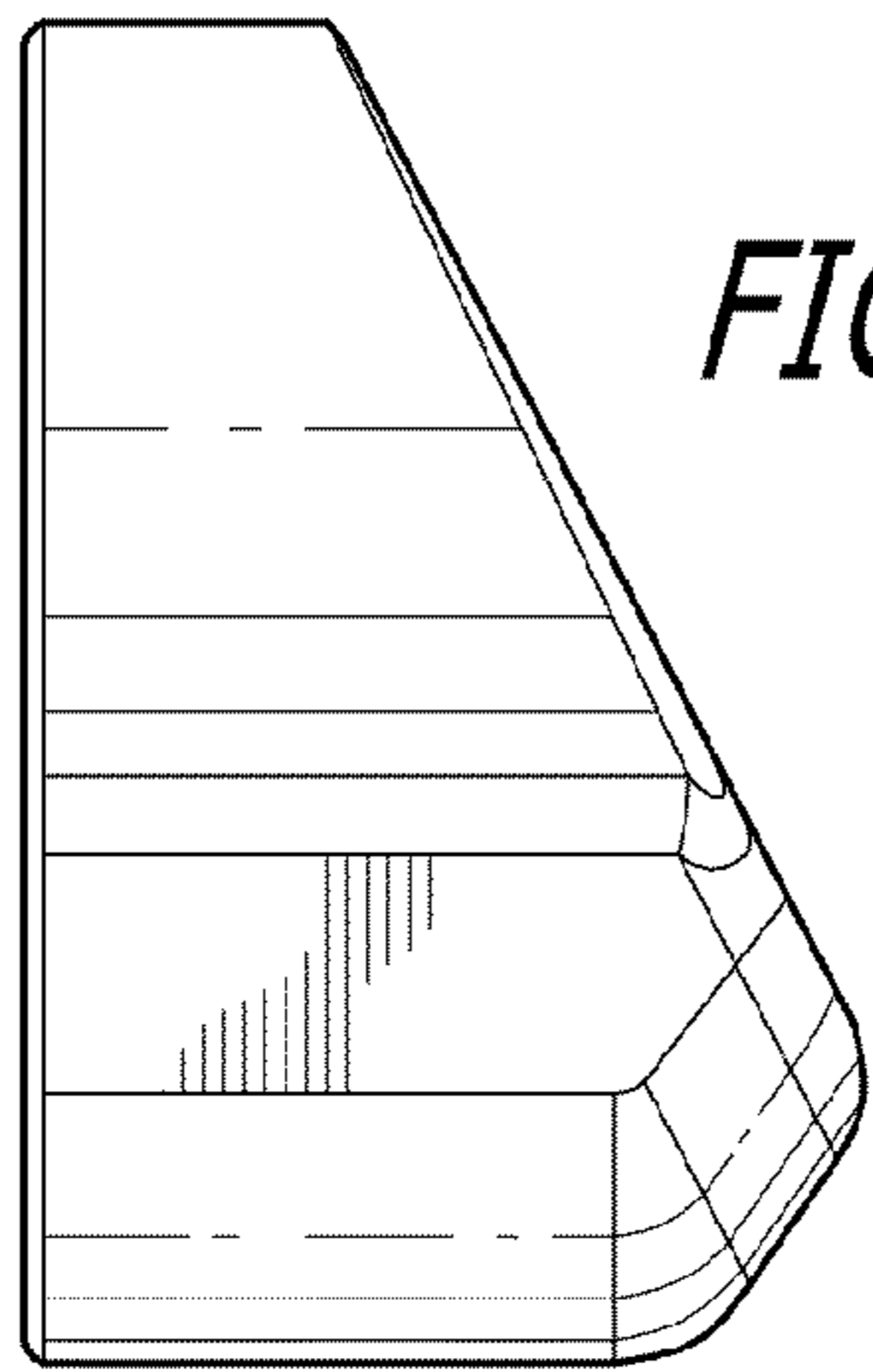


FIG. 1

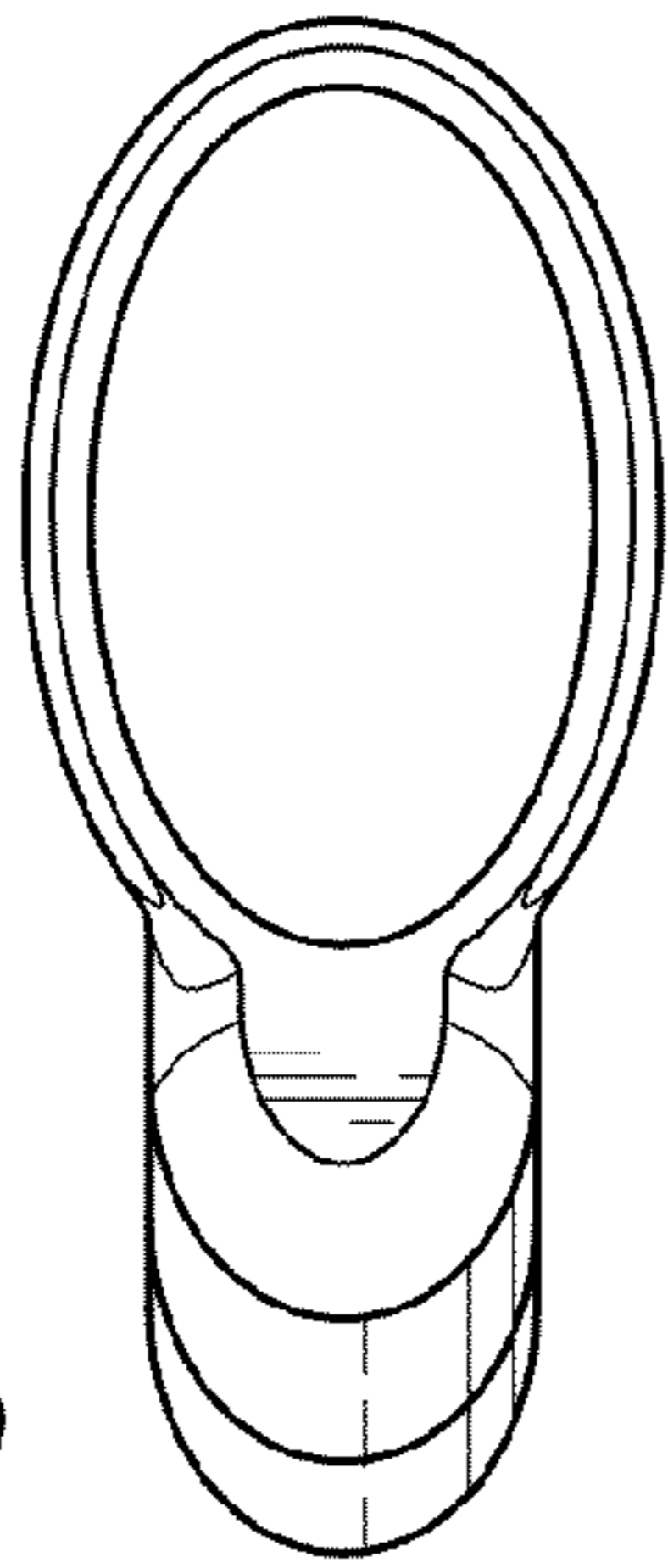


FIG. 2

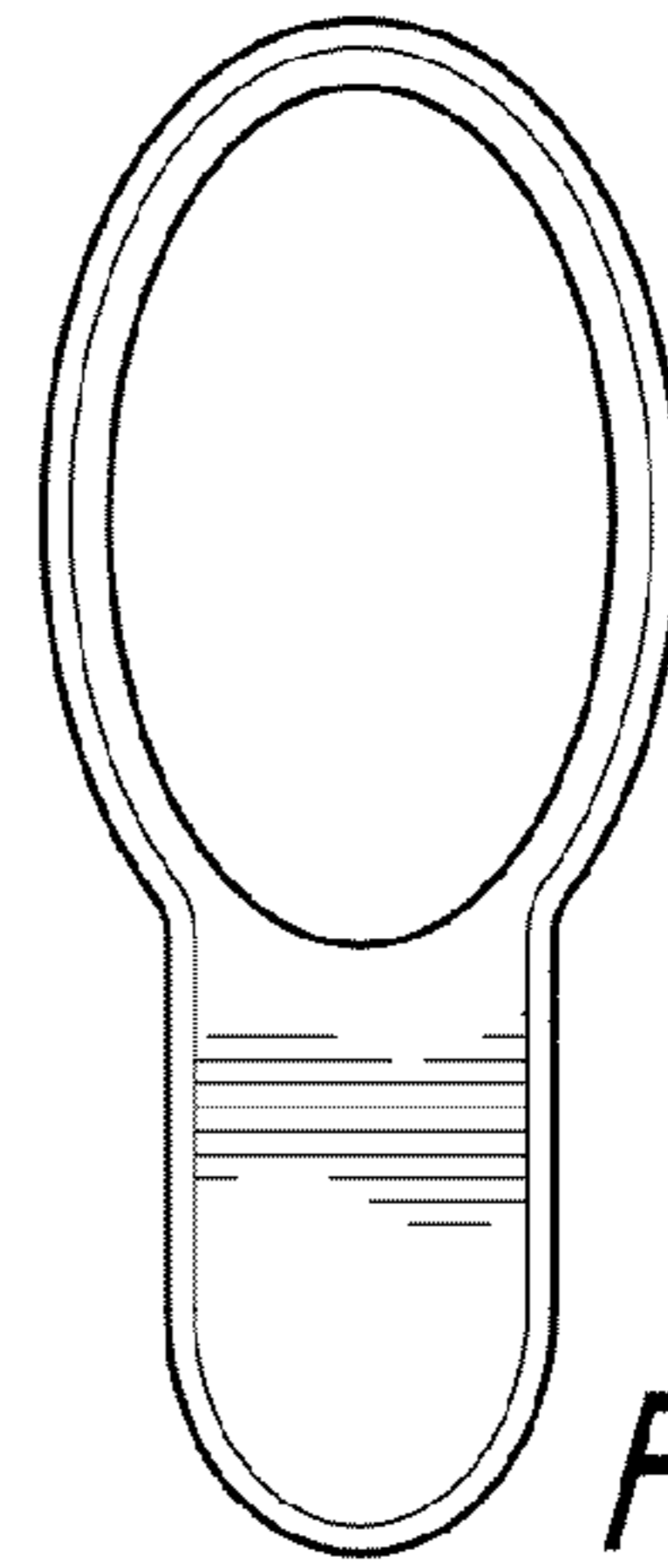


FIG. 3

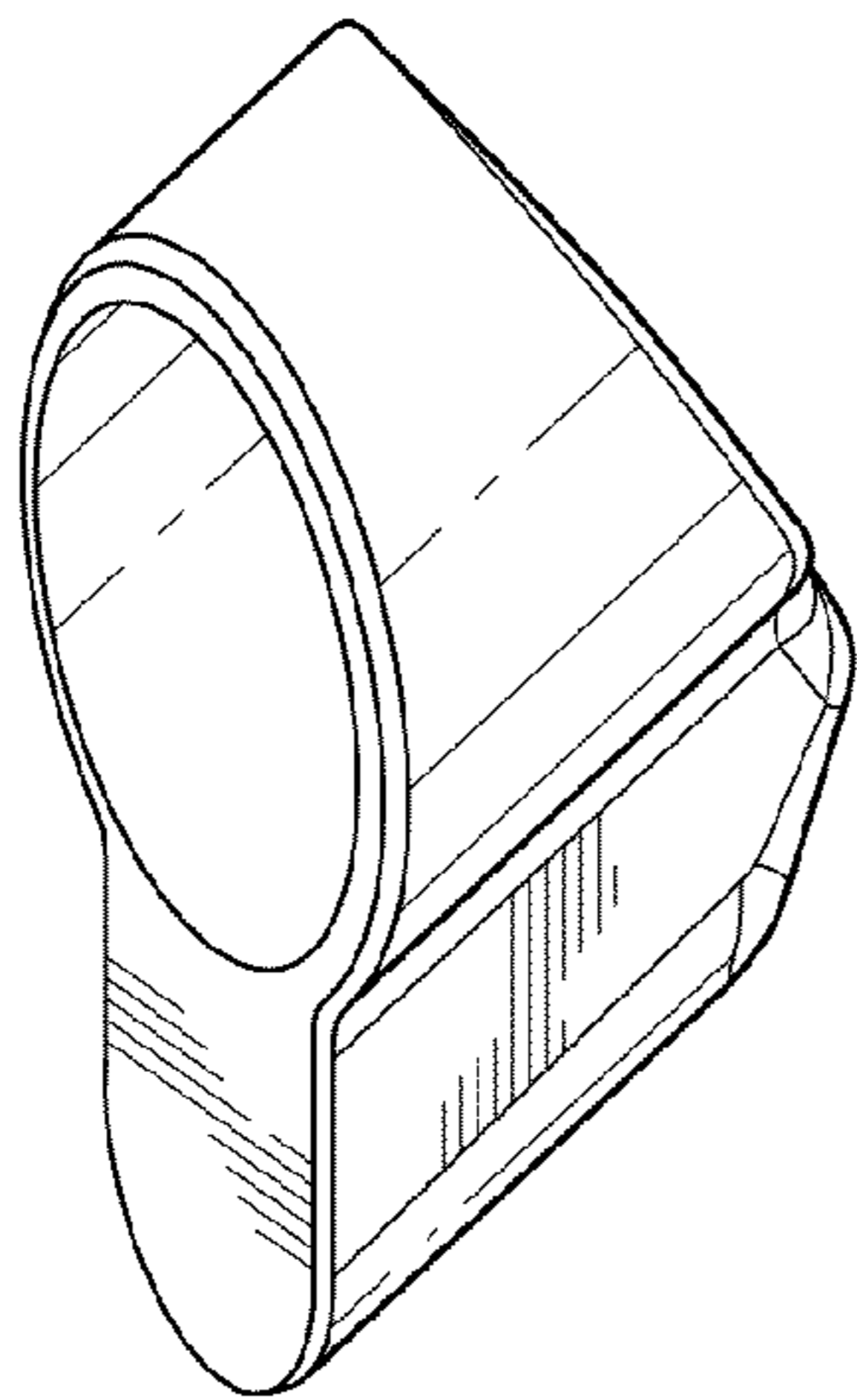


FIG. 4

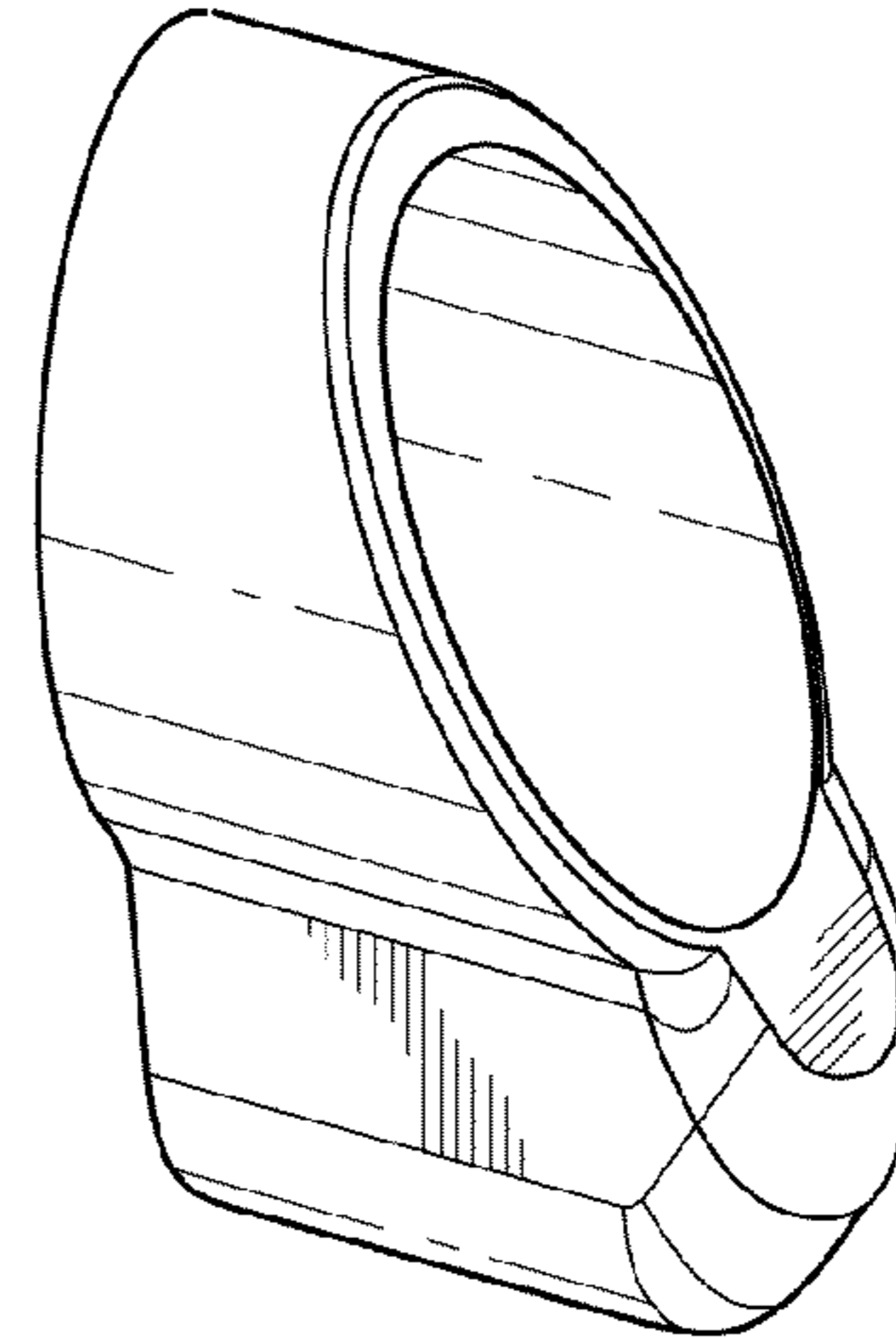


FIG. 5