



US00D684700S

(12) **United States Design Patent**
Heaysman et al.

(10) **Patent No.:** **US D684,700 S**
(45) **Date of Patent:** **** Jun. 18, 2013**

(54) **HEARING DEVICE**

(75) Inventors: **Stewart James Heaysman**, Eastbourne (GB); **Frank Naumann**, Erlangen (DE); **Steven Rose**, Brighton (GB); **Frank Jens Schumann**, Munich (DE)

(73) Assignee: **Siemens Medical Instruments Pte. Ltd.**, Singapore (SG)

(**) Term: **14 Years**

(21) Appl. No.: **29/424,667**

(22) Filed: **Jun. 14, 2012**

(30) **Foreign Application Priority Data**

Dec. 19, 2011 (EM) 001306617

(51) **LOC (9) Cl.** **24-99**

(52) **U.S. Cl.**
USPC **D24/174**

(58) **Field of Classification Search**
USPC D24/173-175, 106, 151; D14/205, D14/206, 223; 381/23.1, 312, 322-324, 328-330, 334

See application file for complete search history.

(56) **References Cited**

U.S. PATENT DOCUMENTS

| | | | | | | |
|--------------|----|---|---------|-----------------|-------|---------|
| D385,036 | S | * | 10/1997 | Nielsen | | D24/174 |
| D416,090 | S | * | 11/1999 | Miller et al. | | D24/174 |
| D568,480 | S | * | 5/2008 | Lockenwitz | | D24/174 |
| D587,378 | S | * | 2/2009 | Powers et al. | | D24/174 |
| D635,263 | S | * | 3/2011 | Meinertz | | D24/174 |
| D636,492 | S | * | 4/2011 | Aquilina et al. | | D24/174 |
| D650,907 | S | * | 12/2011 | Naumann et al. | | D24/174 |
| 2009/0180653 | A1 | * | 7/2009 | Sjursen et al. | | 381/322 |

* cited by examiner

Primary Examiner — Anhdao Doan

(74) *Attorney, Agent, or Firm* — Laurence A. Greenberg; Werner H. Stemer; Ralph E. Locher

(57) **CLAIM**

The ornamental design for a hearing device, as shown and described.

DESCRIPTION

FIG. 1 is a front view of the hearing device showing our new design;
FIG. 2 is a rear elevation view thereof;
FIG. 3 is a top view thereof;
FIG. 4 is a bottom thereof;
FIG. 5 is a right side elevation view thereof;
FIG. 6 is a left side elevation view thereof; and,
FIG. 7 is a perspective view thereof.

1 Claim, 7 Drawing Sheets

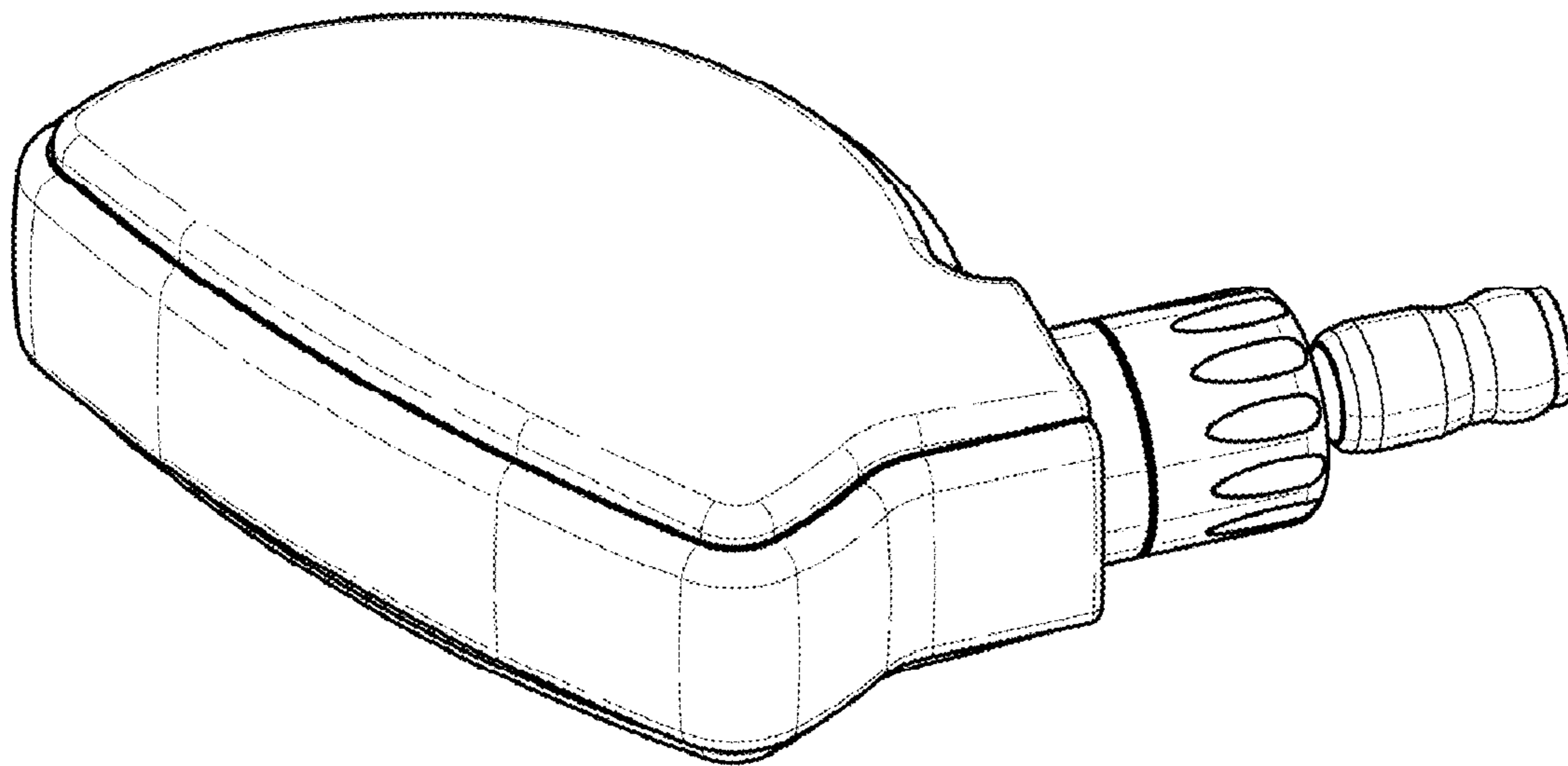


FIG 1

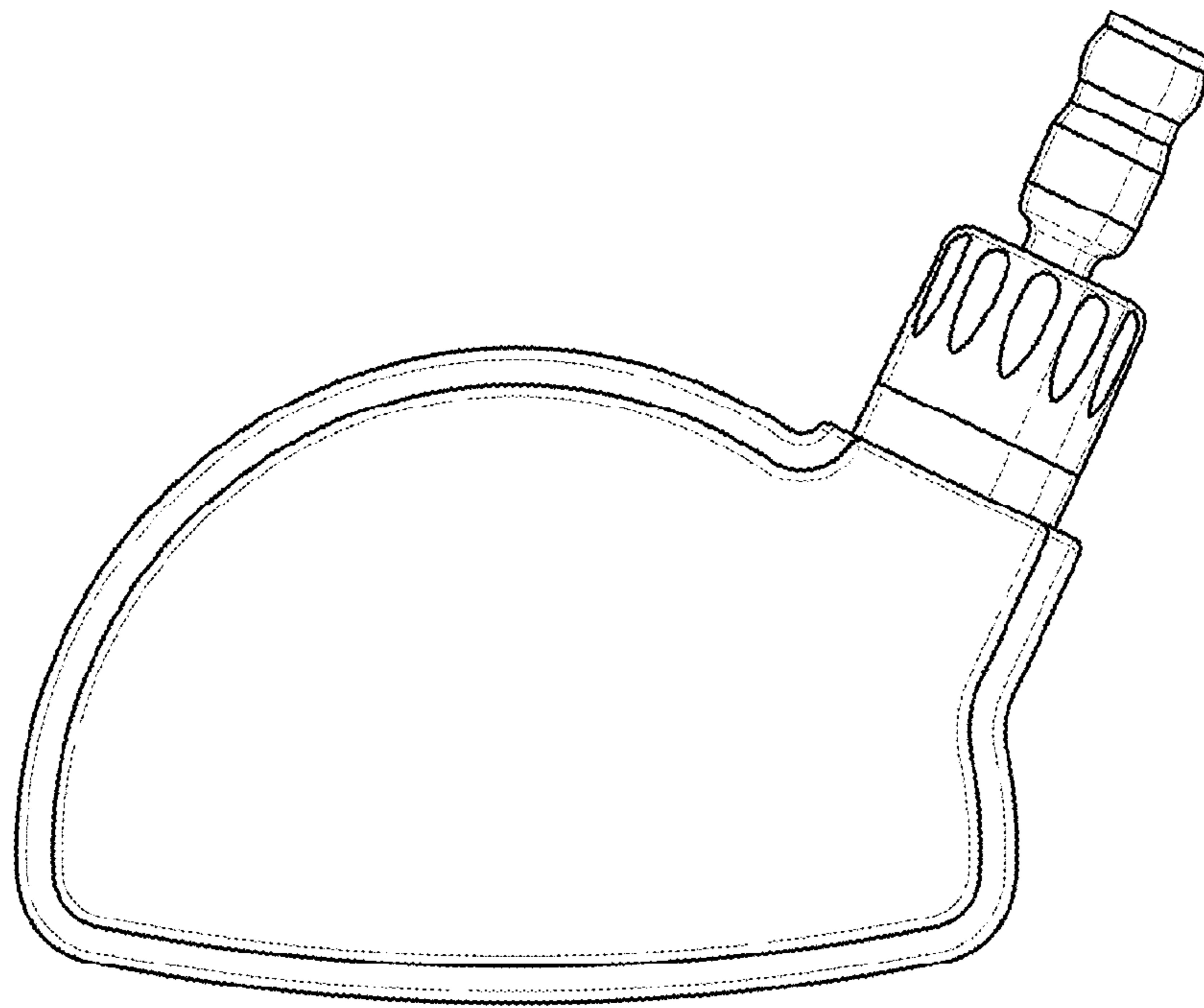


FIG 2

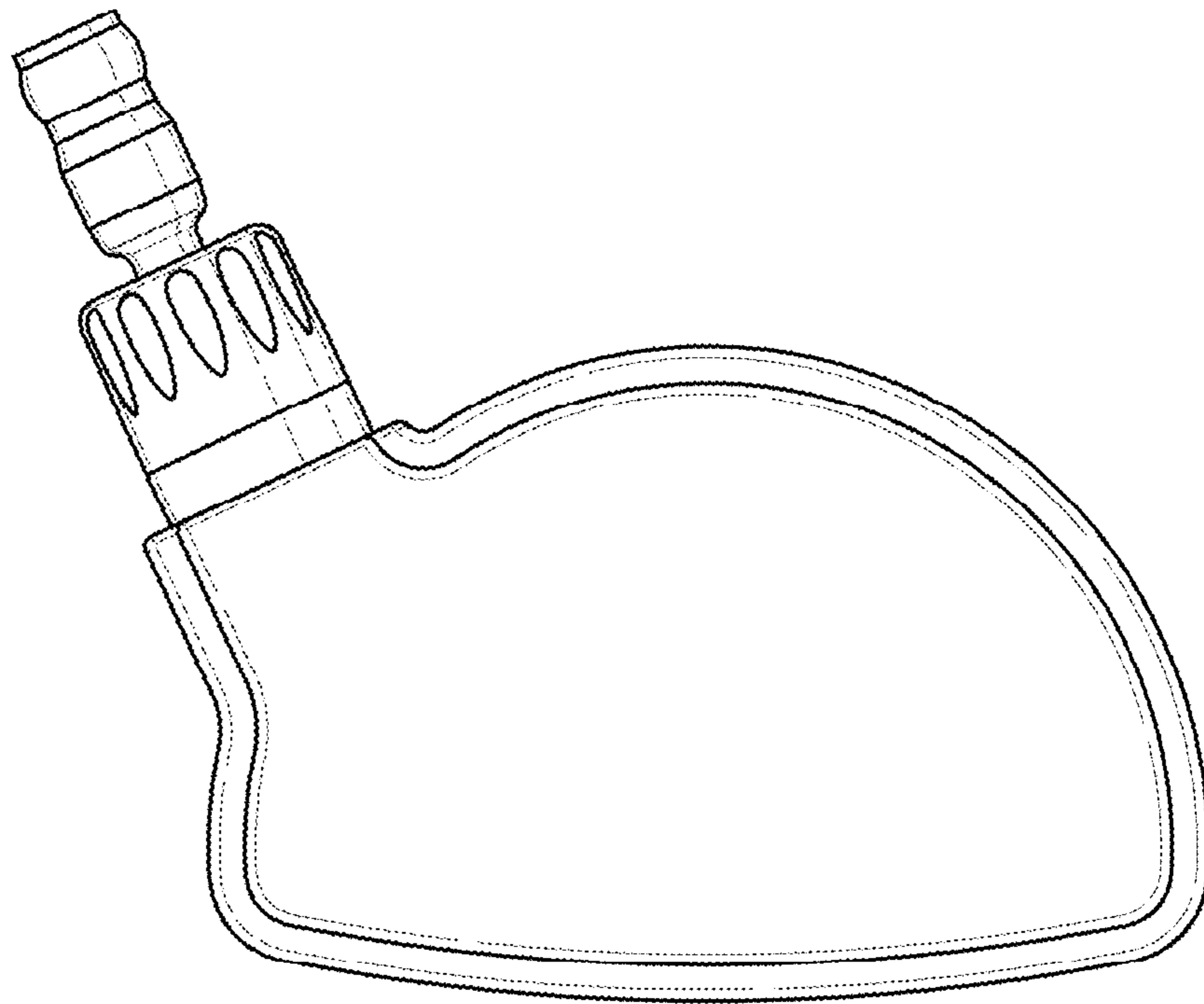


FIG 3

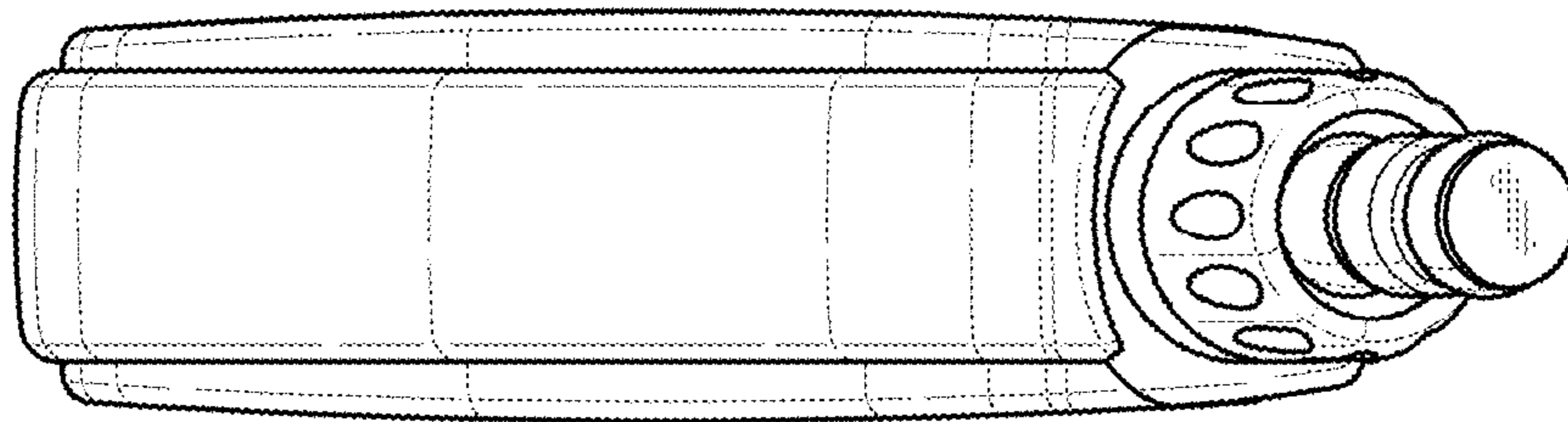


FIG 4

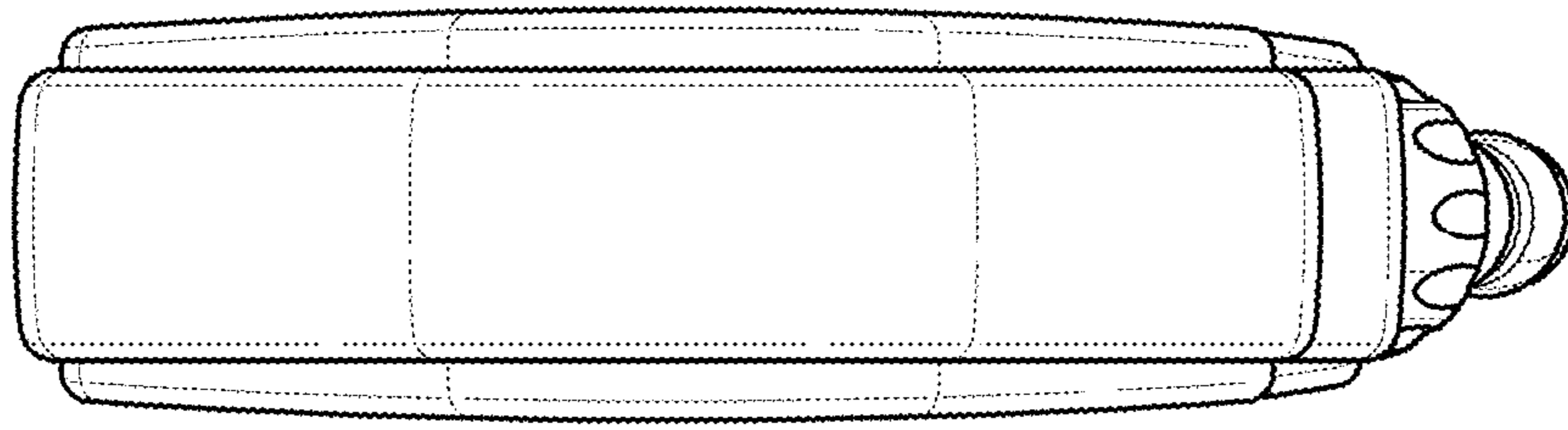


FIG 5

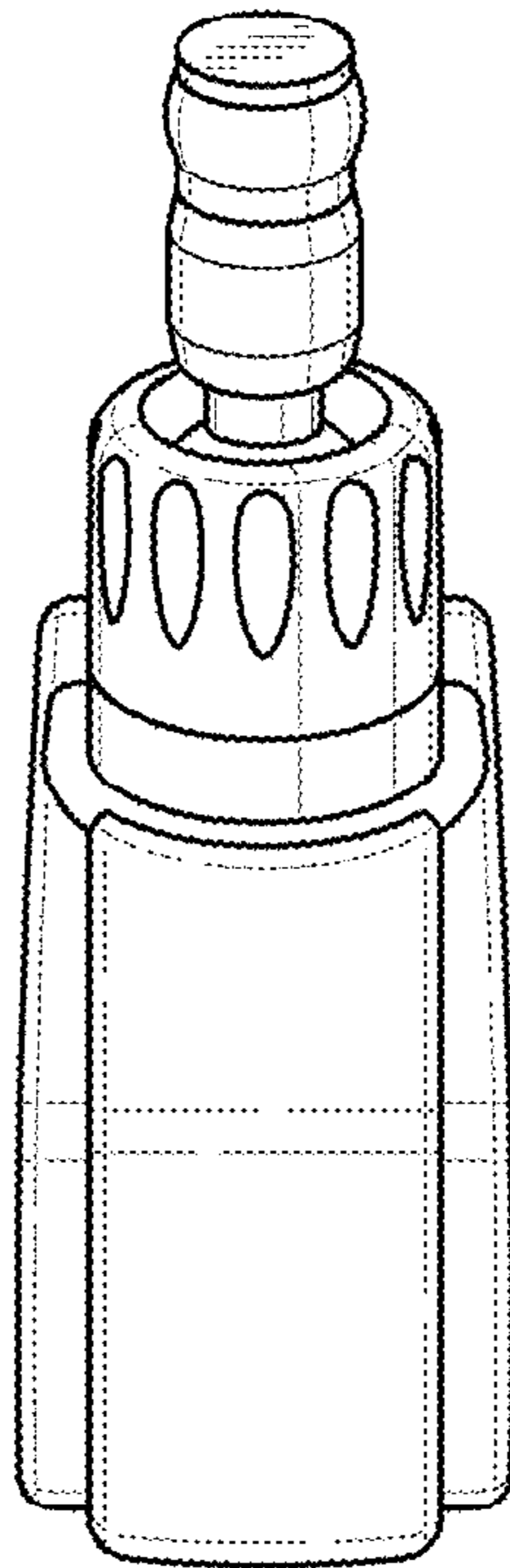


FIG 6

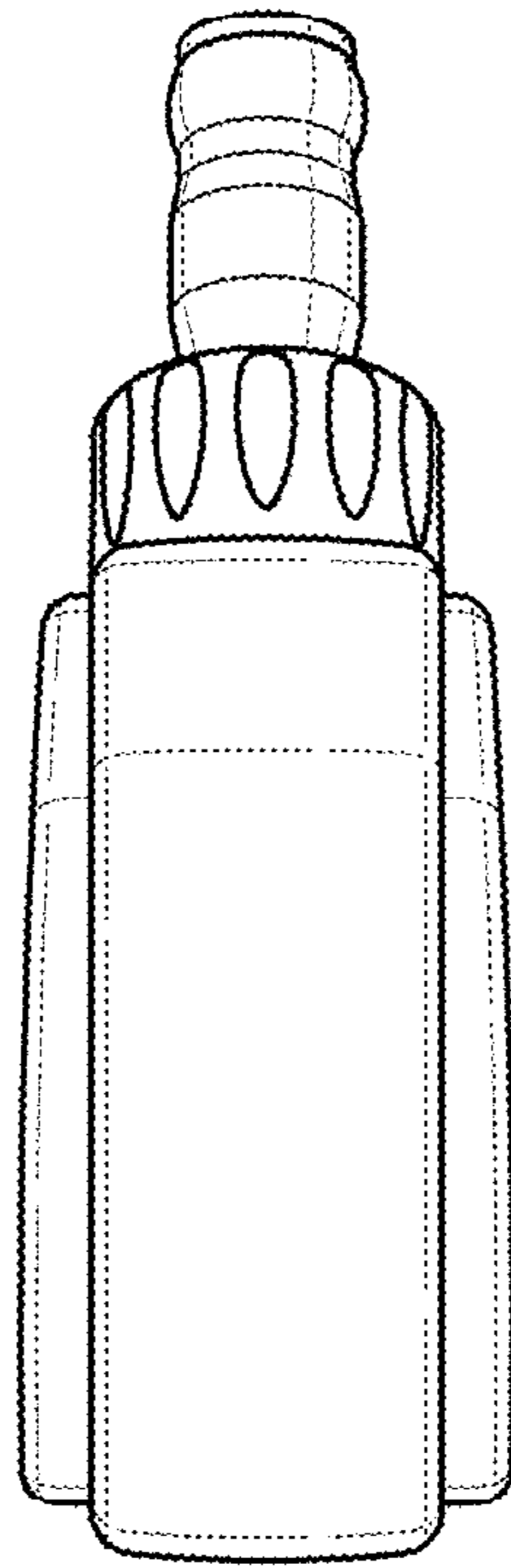


FIG 7

