



US00D684698S

(12) **United States Design Patent**
Heaysman et al.

(10) **Patent No.:** **US D684,698 S**
(45) **Date of Patent:** **** Jun. 18, 2013**

(54) **HEARING INSTRUMENT**

(75) Inventors: **Stewart James Heaysman**, Eastbourne (GB); **Frank Naumann**, Erlangen (DE)

(73) Assignee: **Siemens Medical Instruments Pte. Ltd.**, Singapore (SG)

(**) Term: **14 Years**

(21) Appl. No.: **29/422,955**

(22) Filed: **May 25, 2012**

(30) **Foreign Application Priority Data**

Dec. 19, 2011 (EM) 001306799

(51) **LOC (9) Cl.** **24-99**

(52) **U.S. Cl.**
USPC **D24/174**

(58) **Field of Classification Search**
USPC D24/173-175, 106, 151; D14/205,
D14/206, 223; 381/23.1, 312, 322-324,
328-330, 334
See application file for complete search history.

(56) **References Cited**

U.S. PATENT DOCUMENTS

D385,036 S * 10/1997 Nielsen D24/174

D416,090 S * 11/1999 Miller et al. D24/174
D568,480 S * 5/2008 Lockenwitz D24/174
D587,378 S * 2/2009 Powers et al. D24/174
D635,263 S * 3/2011 Meinertz D24/174
D636,492 S * 4/2011 Aquilina et al. D24/174
D650,907 S * 12/2011 Naumann et al. D24/174
2009/0180653 A1 * 7/2009 Sjursen et al. 381/322

* cited by examiner

Primary Examiner — Anhdao Doan

(74) *Attorney, Agent, or Firm* — Laurence A. Greenberg;
Werner H. Stemer; Ralph E. Locher

(57) **CLAIM**

The ornamental design for a hearing instrument, as shown and described.

DESCRIPTION

FIG. 1 is a front view of the hearing instrument showing our new design;
FIG. 2 is a rear elevation view thereof;
FIG. 3 is a top view thereof;
FIG. 4 is a bottom thereof;
FIG. 5 is a right side elevation view thereof;
FIG. 6 is a left side elevation view thereof; and,
FIG. 7 is a bottom perspective view thereof.

1 Claim, 7 Drawing Sheets

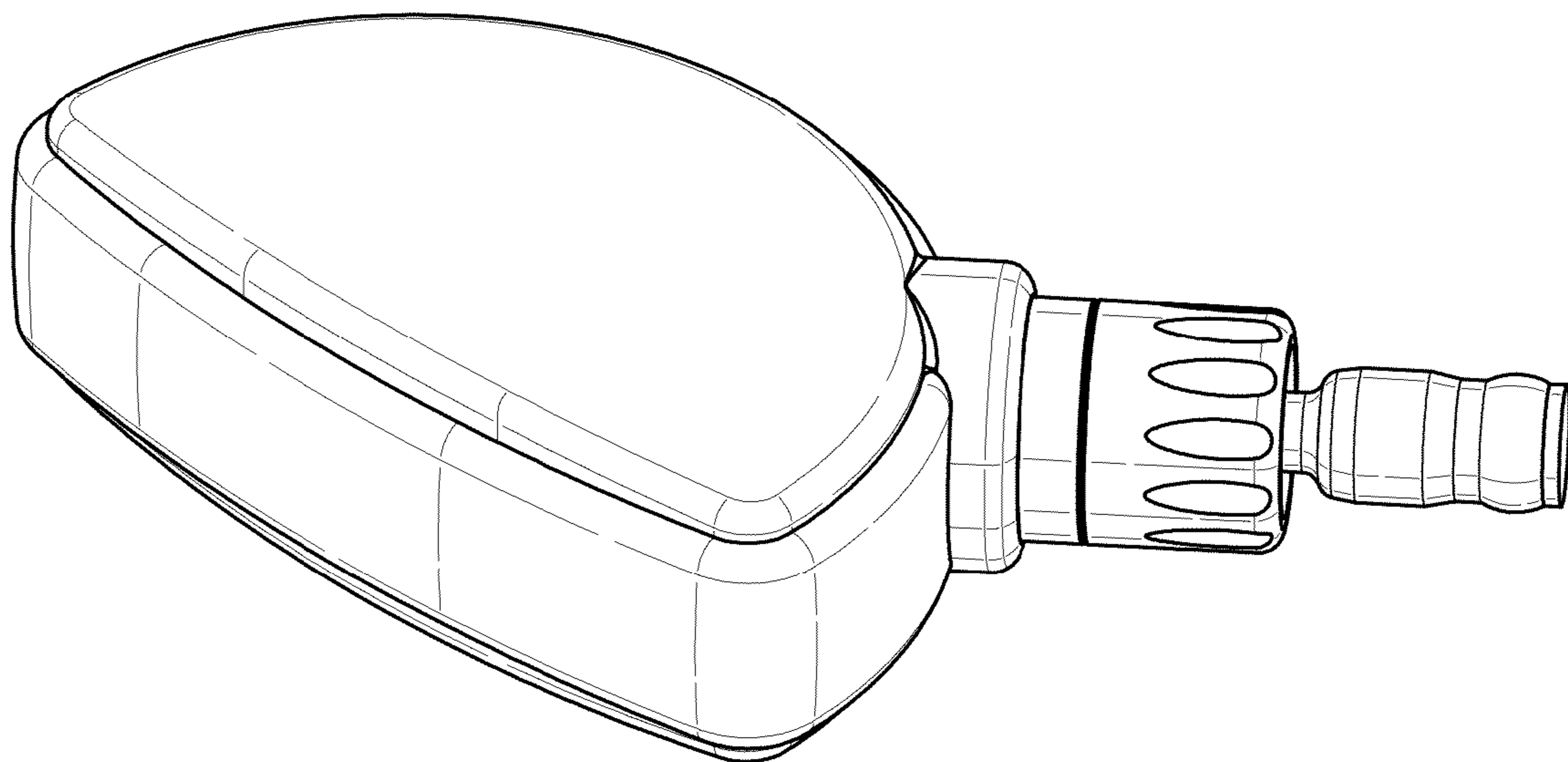


FIG 1

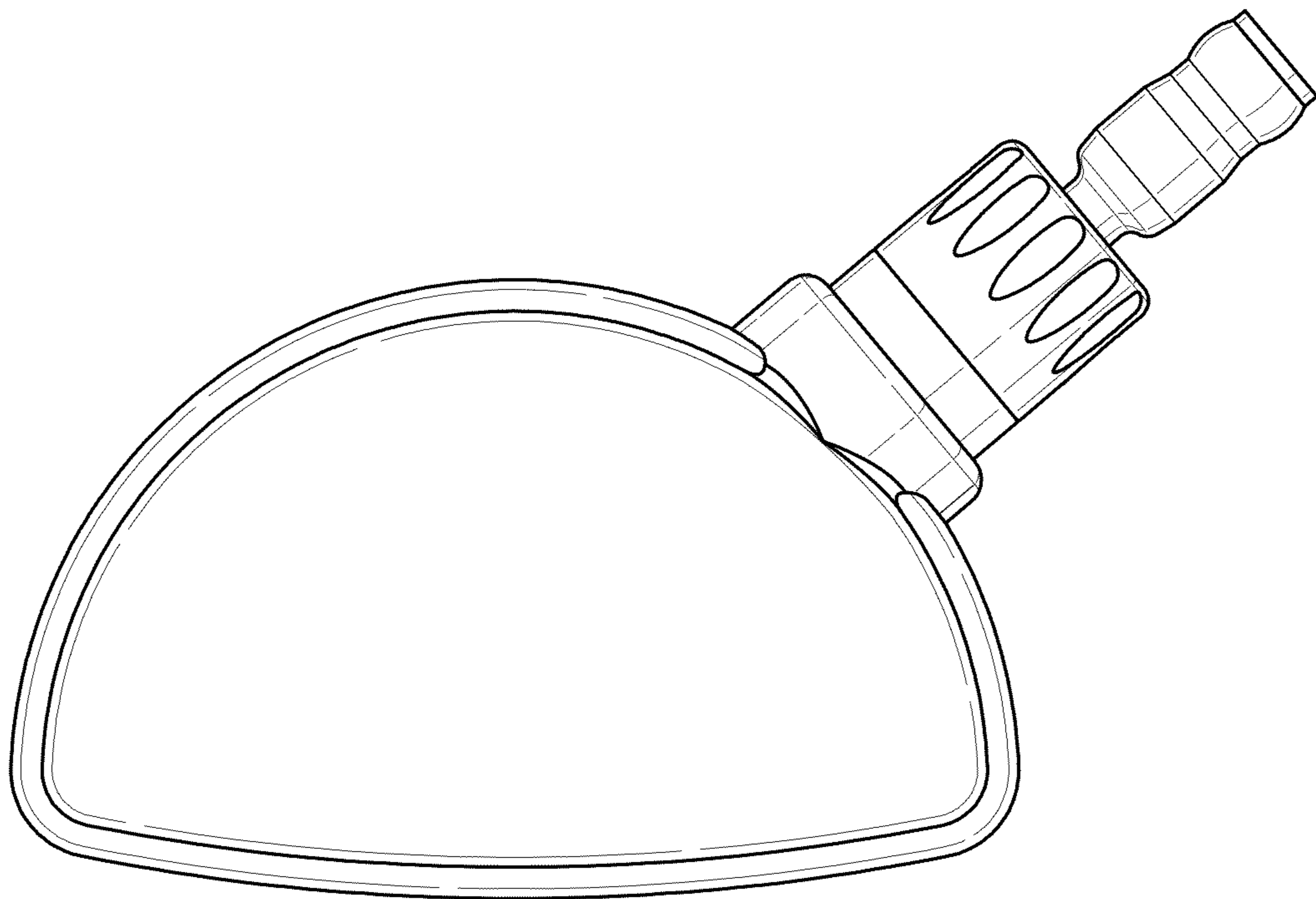


FIG 2

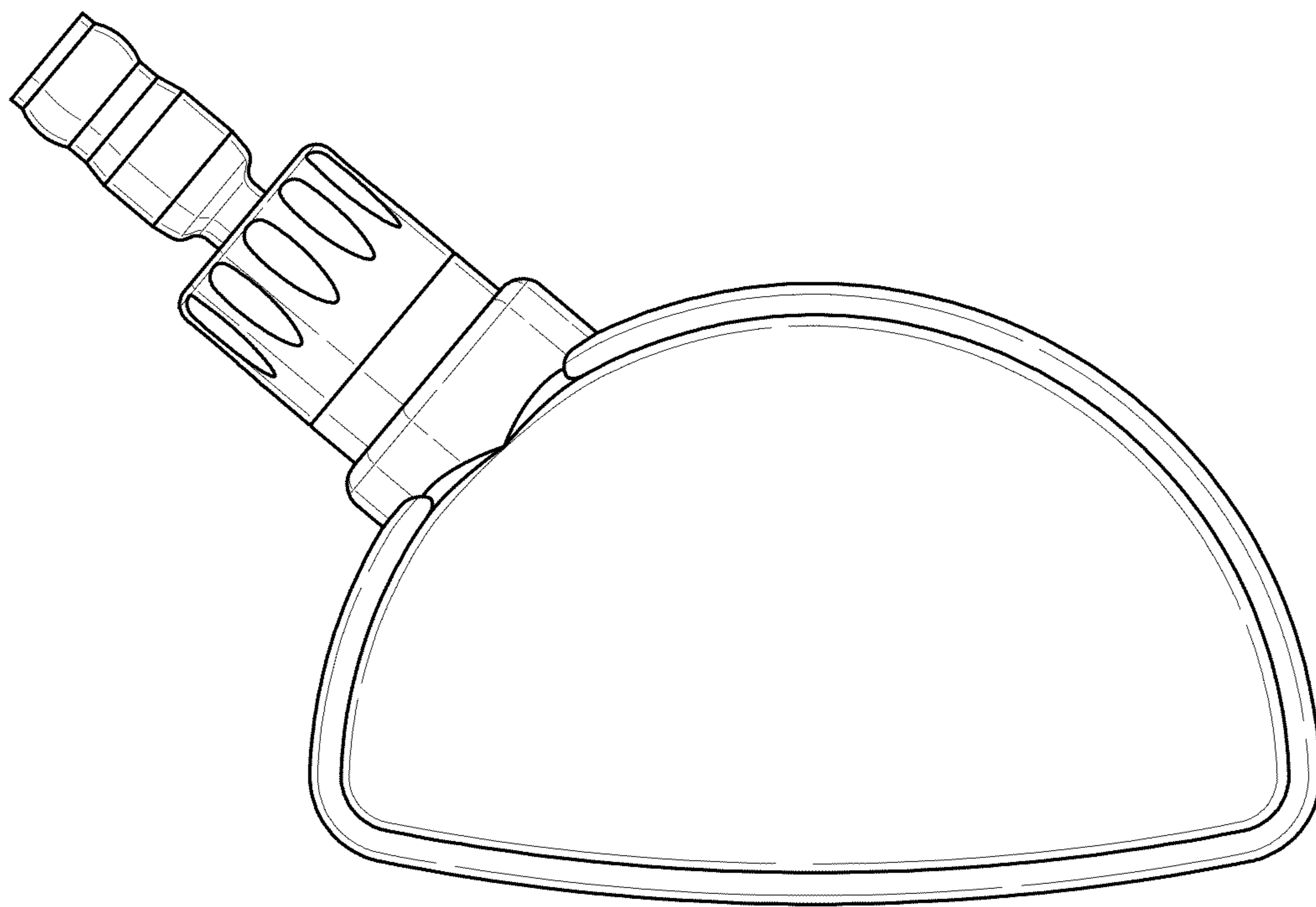


FIG 3

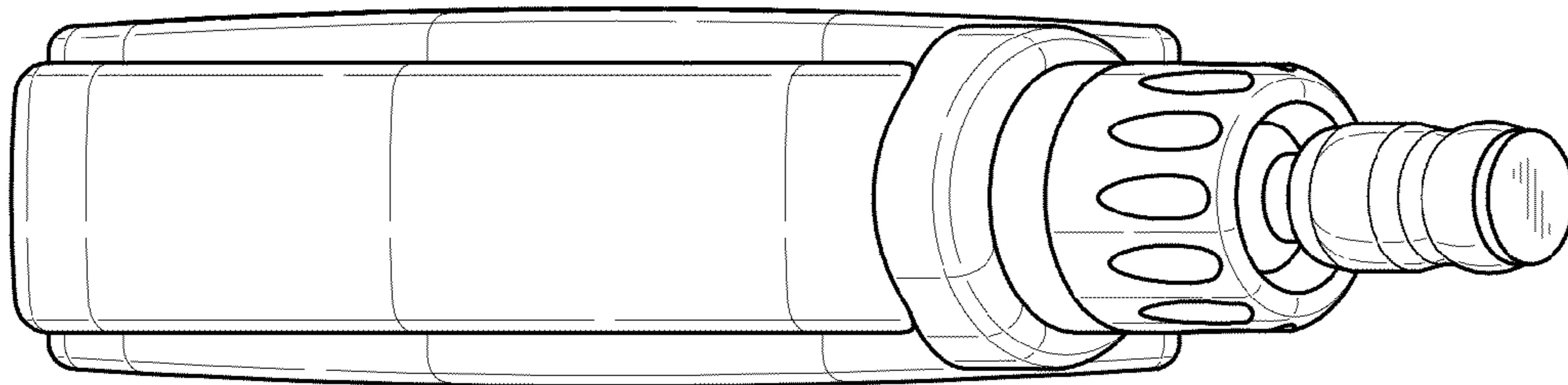


FIG 4

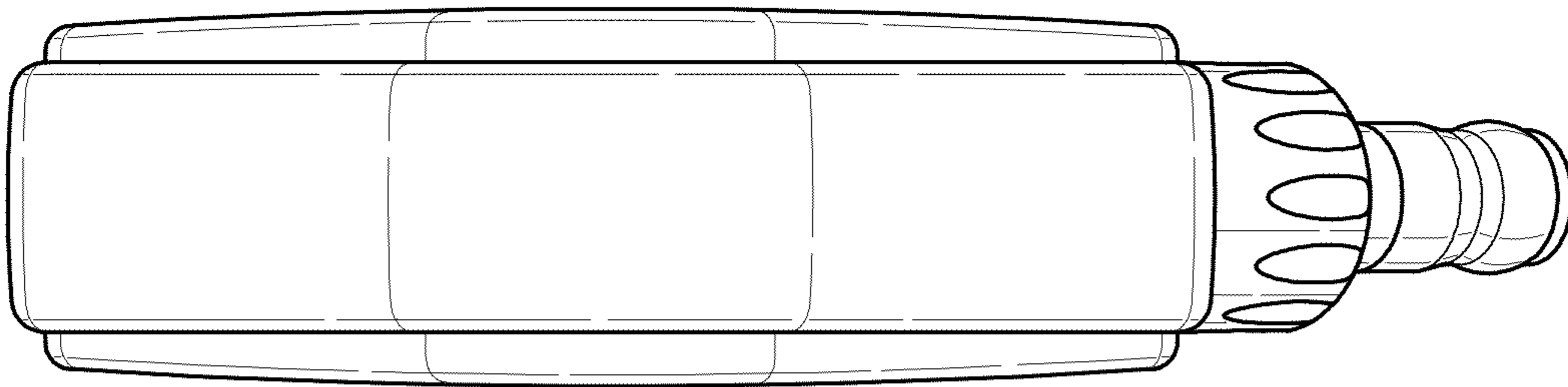


FIG 5

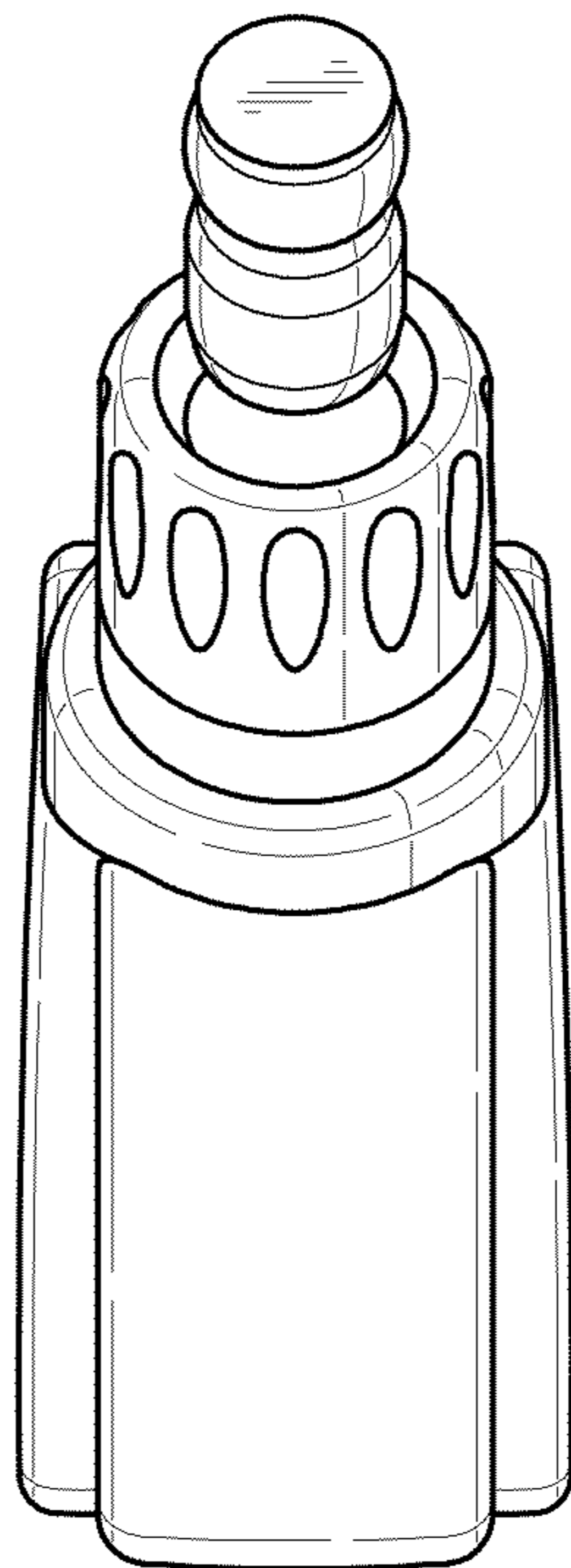


FIG 6

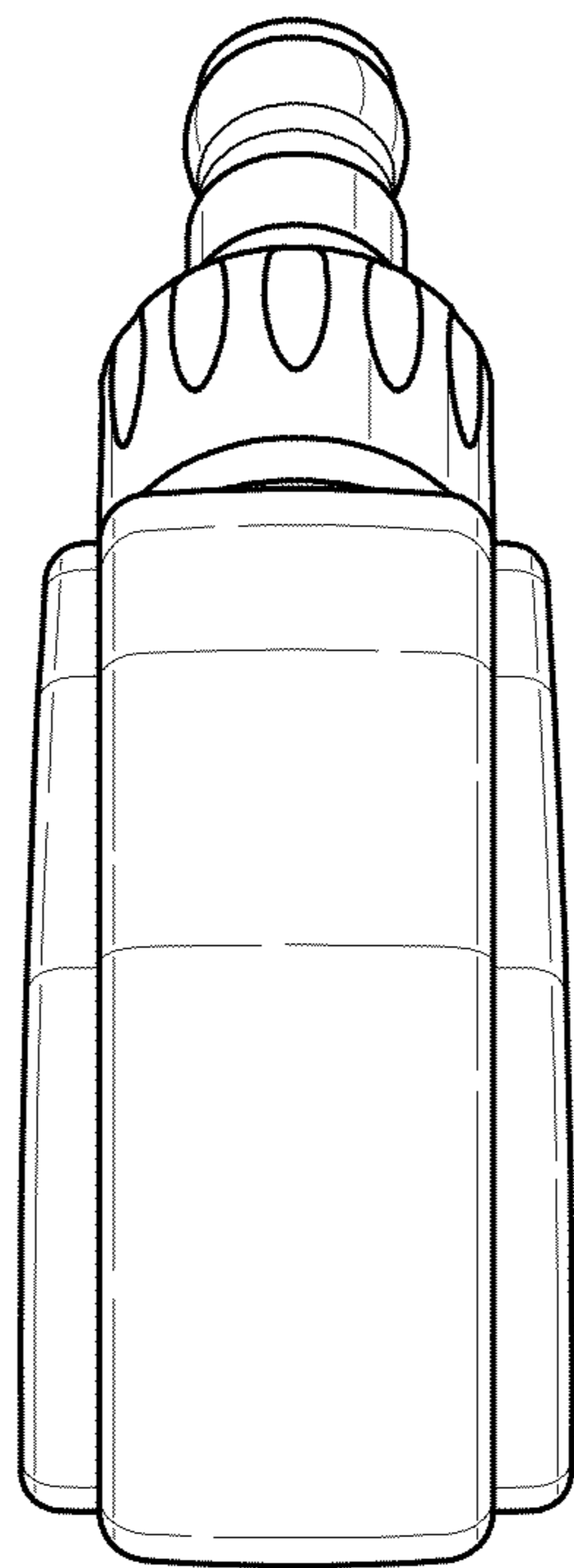


FIG 7

