



US00D684694S

(12) **United States Design Patent**
Green et al.

(10) **Patent No.:** **US D684,694 S**
(45) **Date of Patent:** **** Jun. 18, 2013**

(54) **NON-PNEUMATIC TOURNIQUET DEVICE**

(75) Inventors: **William J. Green**, San Clemente, CA (US); **Ted J. Brackett**, Manhattan Beach, CA (US)

(73) Assignee: **Precision Medical Devices, LLC**, Thousand Oaks, CA (US)

(**) Term: **14 Years**

(21) Appl. No.: **29/419,192**

(22) Filed: **Apr. 25, 2012**

Related U.S. Application Data

(63) Continuation of application No. 29/419,189, filed on Apr. 25, 2012, and a continuation of application No. 12/897,770, filed on Oct. 4, 2010, which is a continuation-in-part of application No. 12/114,737, filed on May 2, 2008, and a continuation-in-part of application No. PCT/US2008/062583, filed on May 2, 2008.

(51) **LOC (9) Cl.** **24-01**

(52) **U.S. Cl.**
USPC **D24/169**

(58) **Field of Classification Search**
USPC D24/107, 143, 164-169, 188-190,
D24/192; 600/490; 601/149, 151-152;
606/202-203
See application file for complete search history.

(56) **References Cited**

U.S. PATENT DOCUMENTS

D272,186 S * 1/1984 Peck D24/143
4,637,394 A * 1/1987 Racz et al. 606/202

(Continued)

Primary Examiner — Wan Laymon

(74) *Attorney, Agent, or Firm* — Law Office of David Hong

(57) **CLAIM**

The ornamental design for a non-pneumatic tourniquet device, as shown and described.

DESCRIPTION

This application is also related to U.S. Design patent application Ser. No. 29/317,784, filed on May 6, 2008, and now U.S. Design Pat. No. D625,824; U.S. Design patent application Ser. No. 29/346,791, filed on Nov. 5, 2009, and now U.S. Design Pat. No. D642,275; and, U.S. Design patent application Ser. No. 29/405,373, filed on Nov. 1, 2011.

FIG. 1 is a perspective view of a non-pneumatic tourniquet device showing our new design;

FIG. 2 is a top view thereof, the bottom view being a mirror image;

FIG. 3 is a first side elevational view thereof; the opposite side being a mirror image;

FIG. 4 is a second side elevational view thereof; the opposite side view being a mirror image;

FIG. 5 is a cross-sectional view thereof, taken along line 5-5 of FIG. 2;

FIG. 6 is a perspective view thereof, with the central element seen in FIGS. 1, 2, 4 and 5 removed in order to depict the inner structure of the non-pneumatic tourniquet device;

FIG. 7 is a top view of the non-pneumatic tourniquet device shown in FIG. 6; the bottom view being a mirror image;

FIG. 8 is a side view of the non-pneumatic tourniquet device shown in FIG. 6; the opposite side view being a mirror image;

FIG. 9 is a cross-sectional view of the non-pneumatic tourniquet device shown in FIG. 6, taken along line 9-9 of FIG. 7;

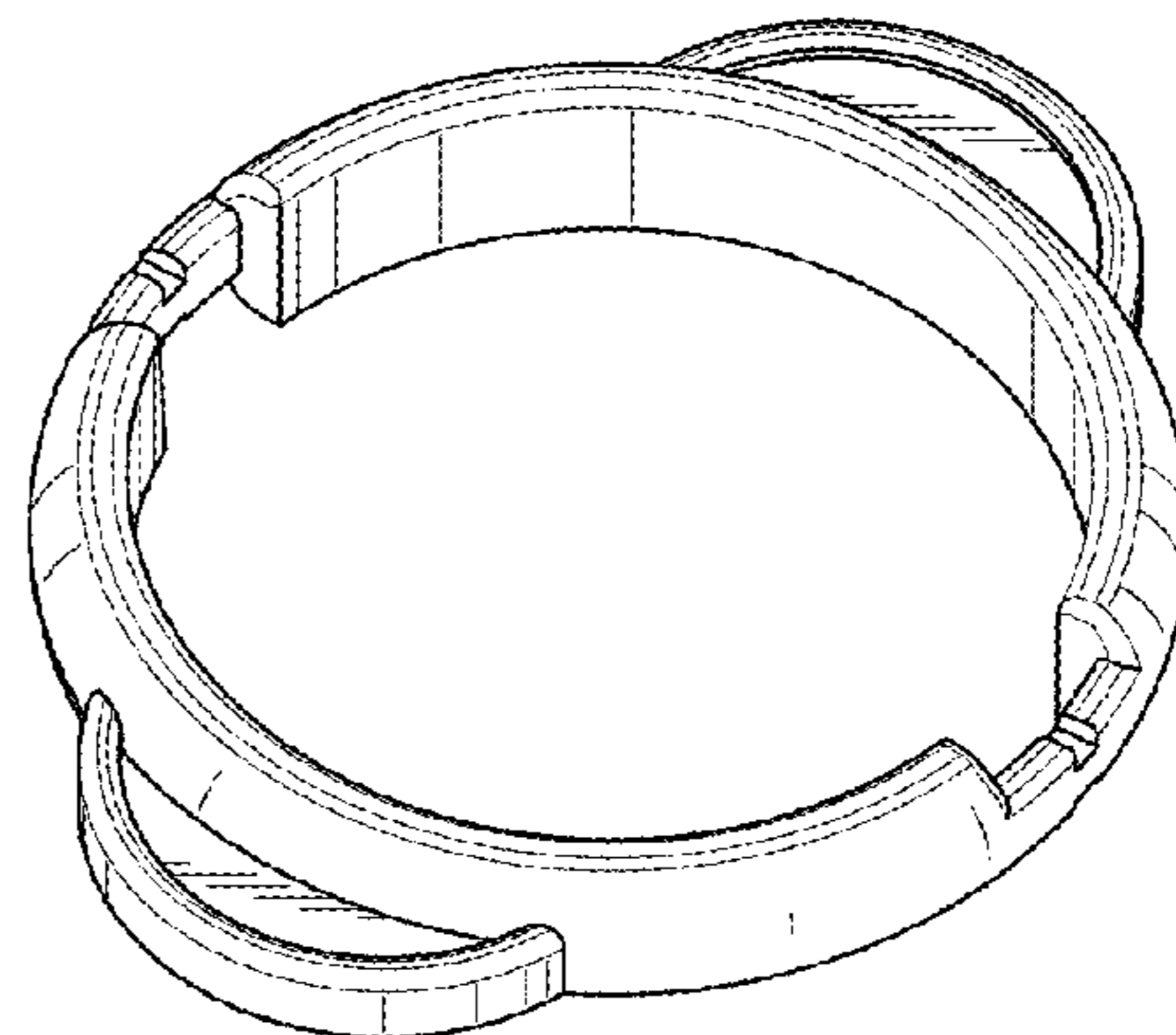
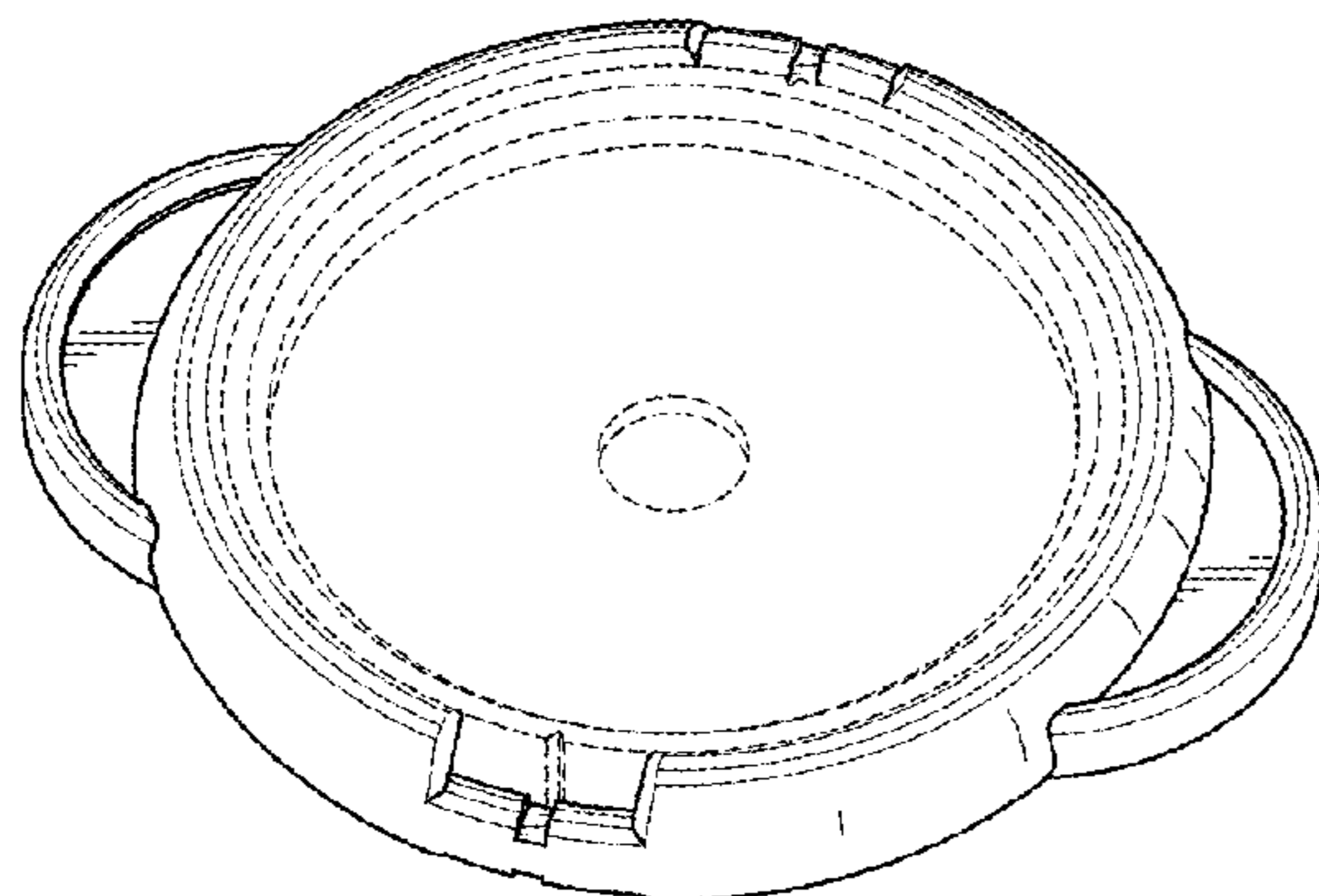
FIG. 10 is a cross-sectional view of the non-pneumatic tourniquet device shown in FIG. 6, taken along line 10-10 of FIG. 7;

FIG. 11 is an enlarged fragmented view of the non-pneumatic tourniquet device shown in FIG. 6, taken along the arrow 11 of FIG. 10; and,

FIG. 12 is an enlarged fragmented view of the non-pneumatic tourniquet device shown in FIG. 6, taken along the arrow 12 of FIG. 9.

The broken lines represent portions of the structure that form no part of the claim.

1 Claim, 2 Drawing Sheets



US D684,694 S

Page 2

U.S. PATENT DOCUMENTS											
4,911,162	A *	3/1990	Wolff	606/203	D642,275	S *	7/2011	Brackett et al.	D24/169
5,304,202	A *	4/1994	Stahl	606/203	2006/0089668	A1 *	4/2006	Warburton	606/203
5,607,448	A *	3/1997	Stahl et al.	606/203	2008/0275499	A1 *	11/2008	Brackett et al.	606/203
D625,824	S *	10/2010	Brackett et al.	D24/188	2011/0022077	A1 *	1/2011	Green et al.	606/203
									* cited by examiner		

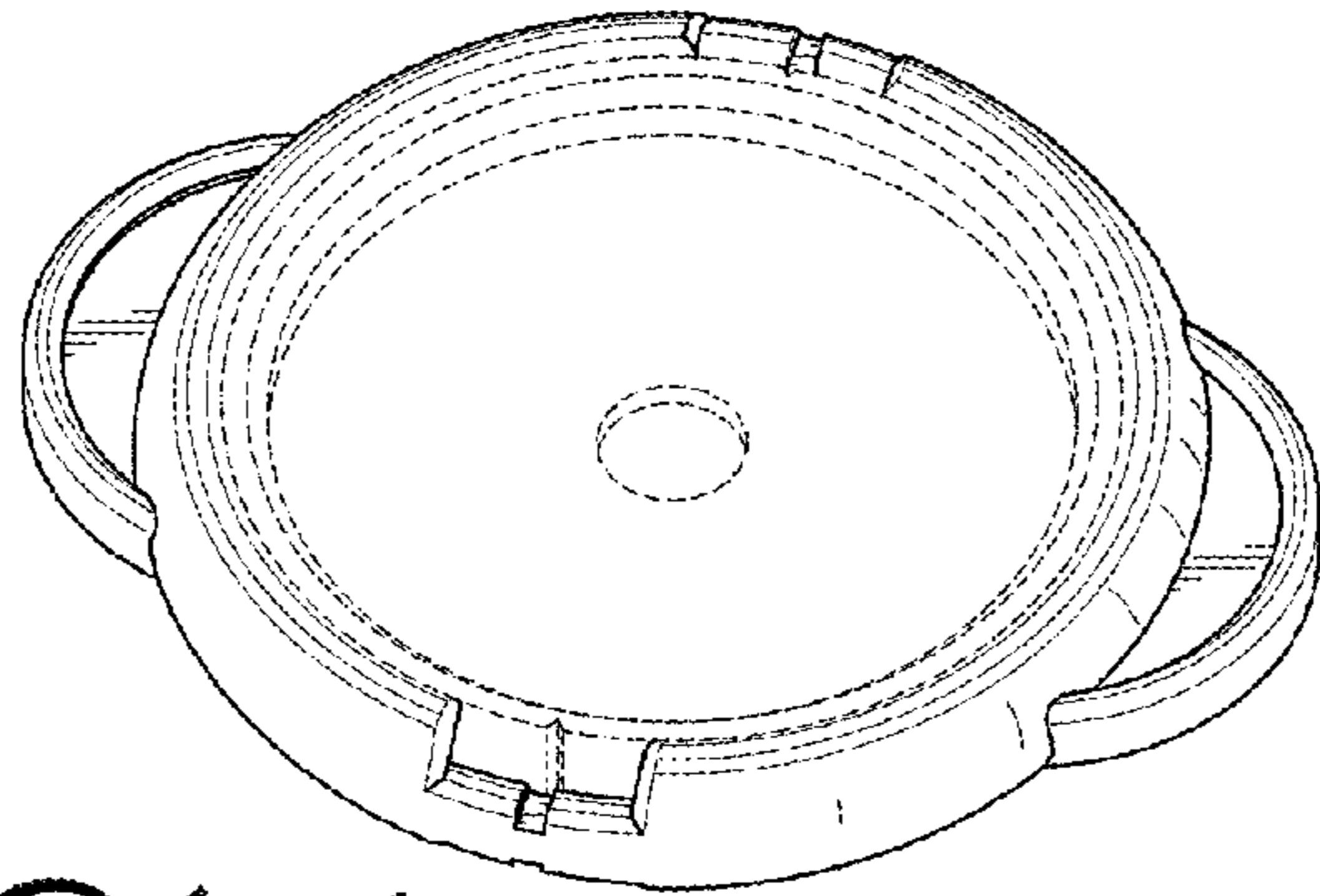


FIG. 1

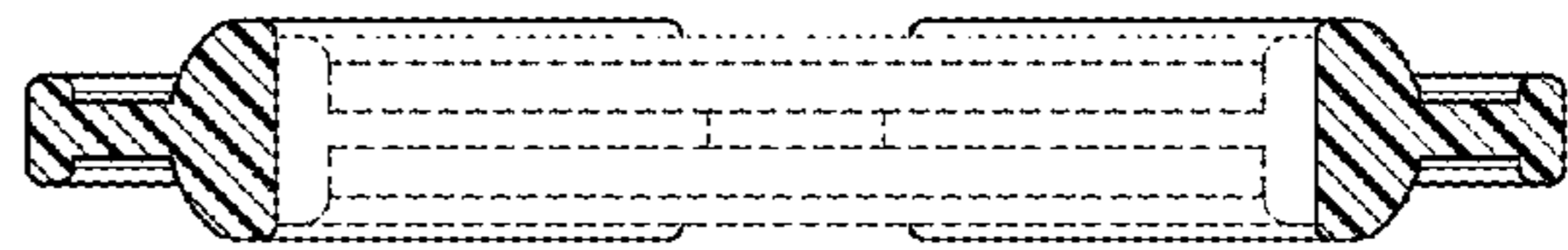


FIG. 5

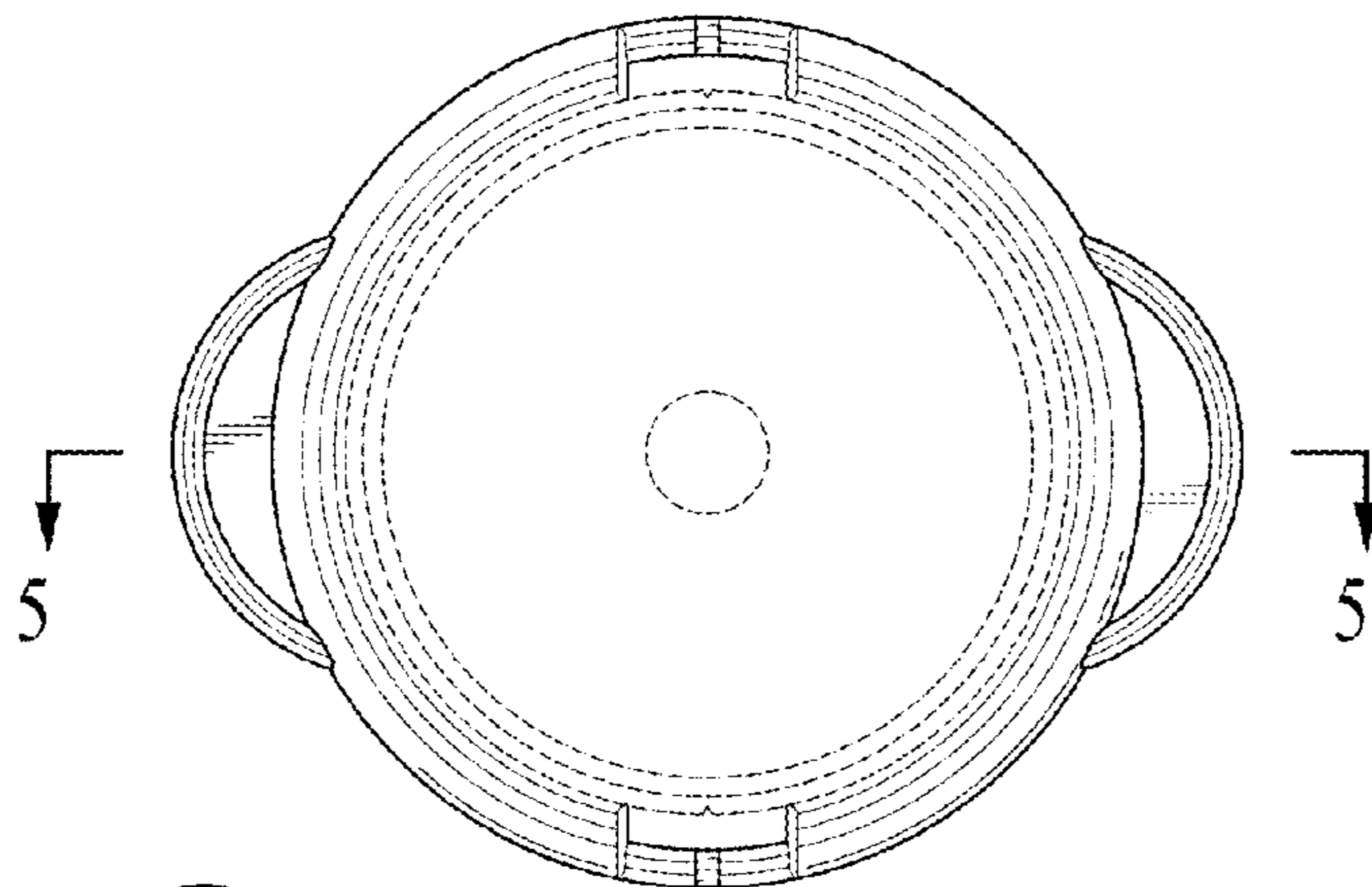


FIG. 2

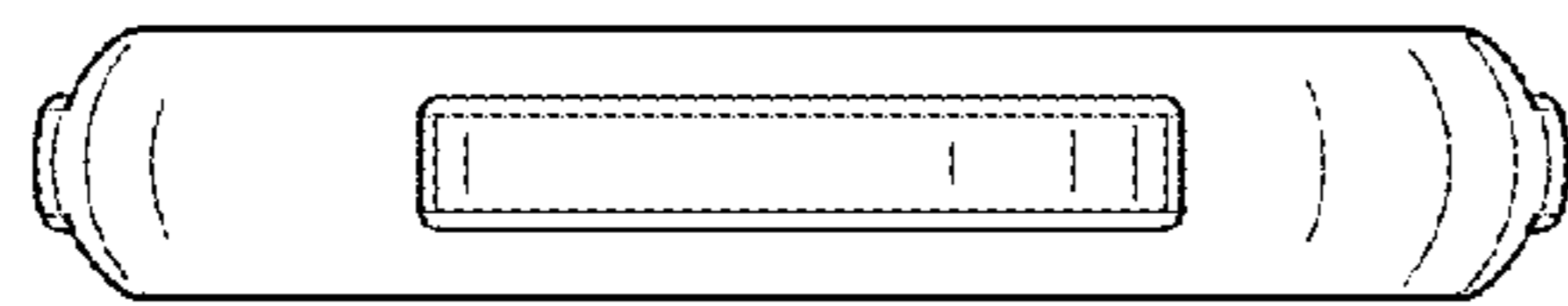


FIG. 3

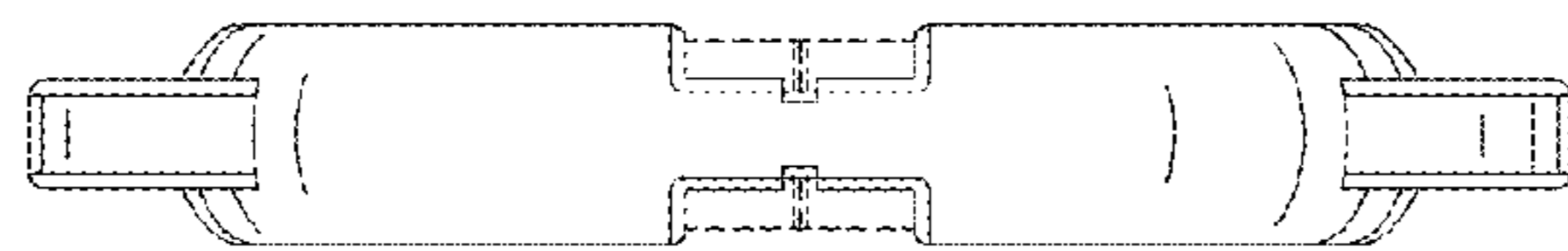


FIG. 4

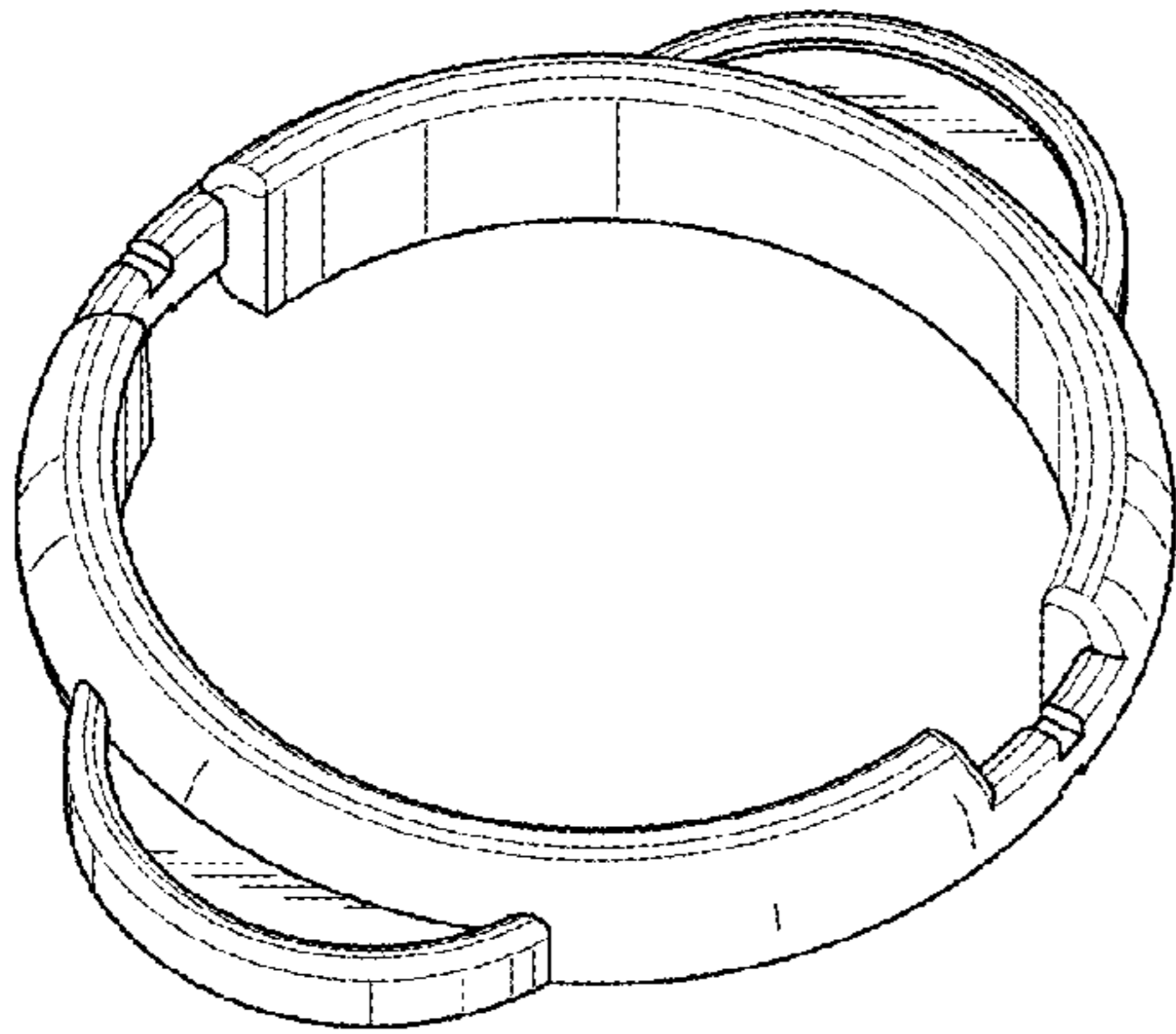


FIG. 6

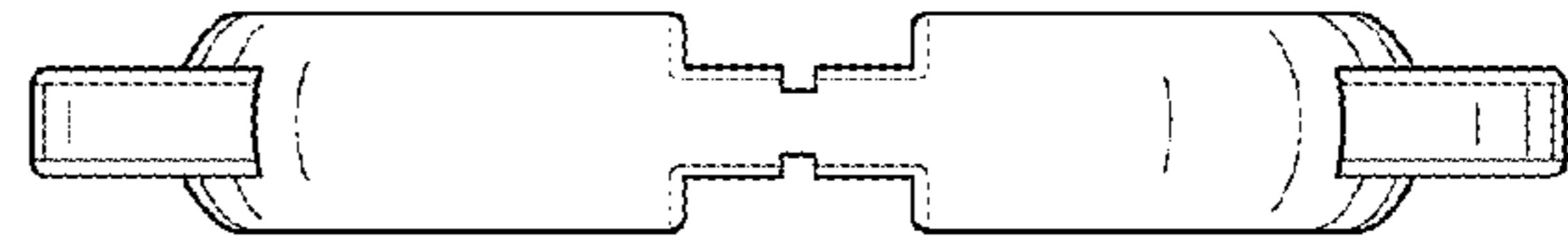


FIG. 8

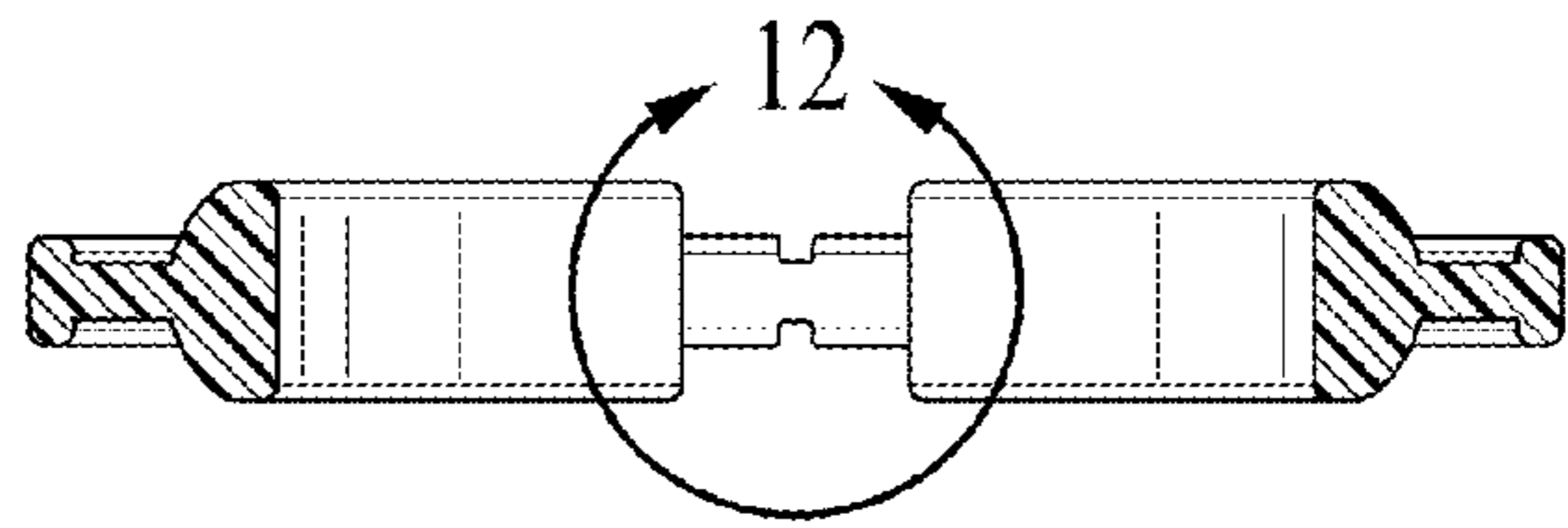


FIG. 9

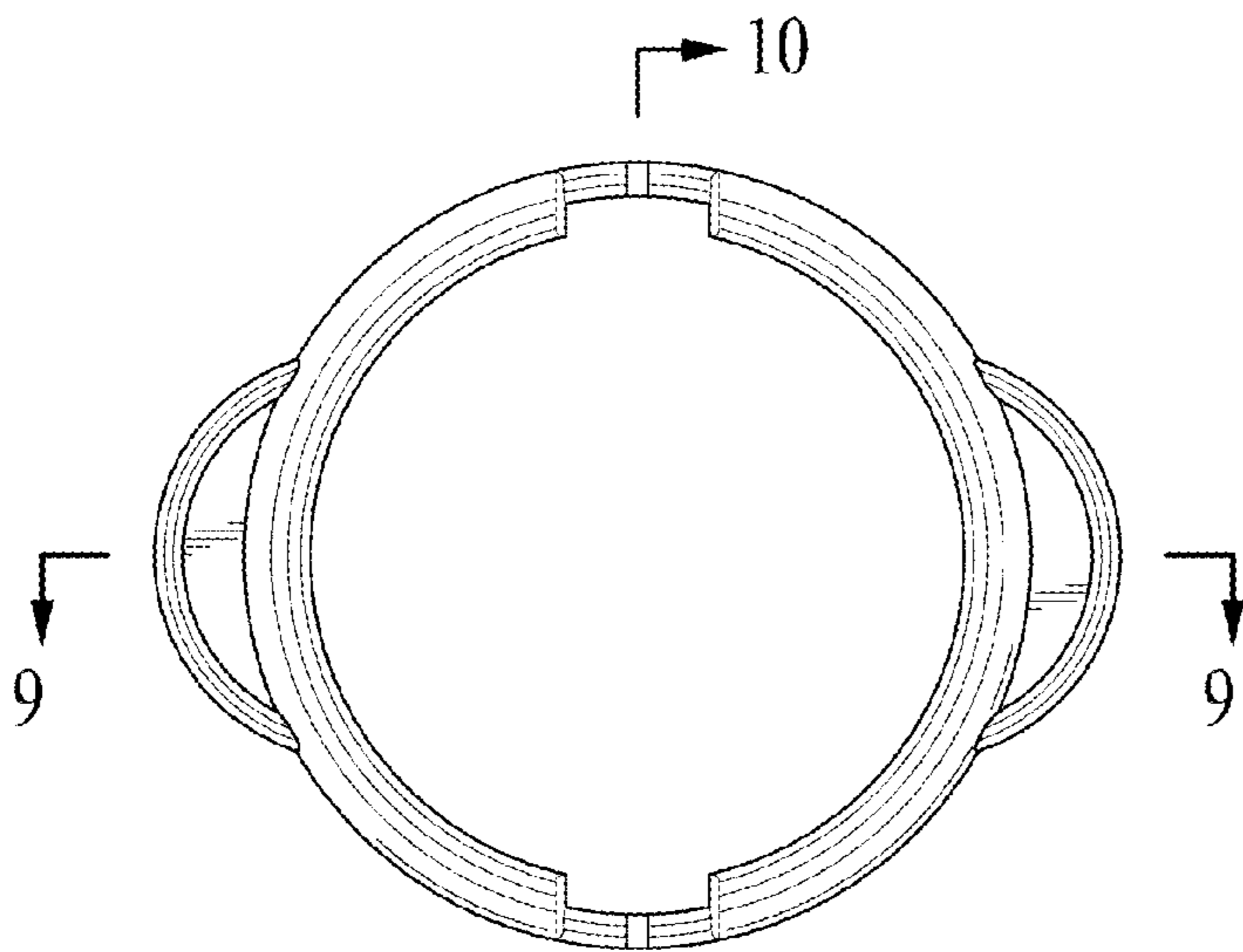


FIG. 7

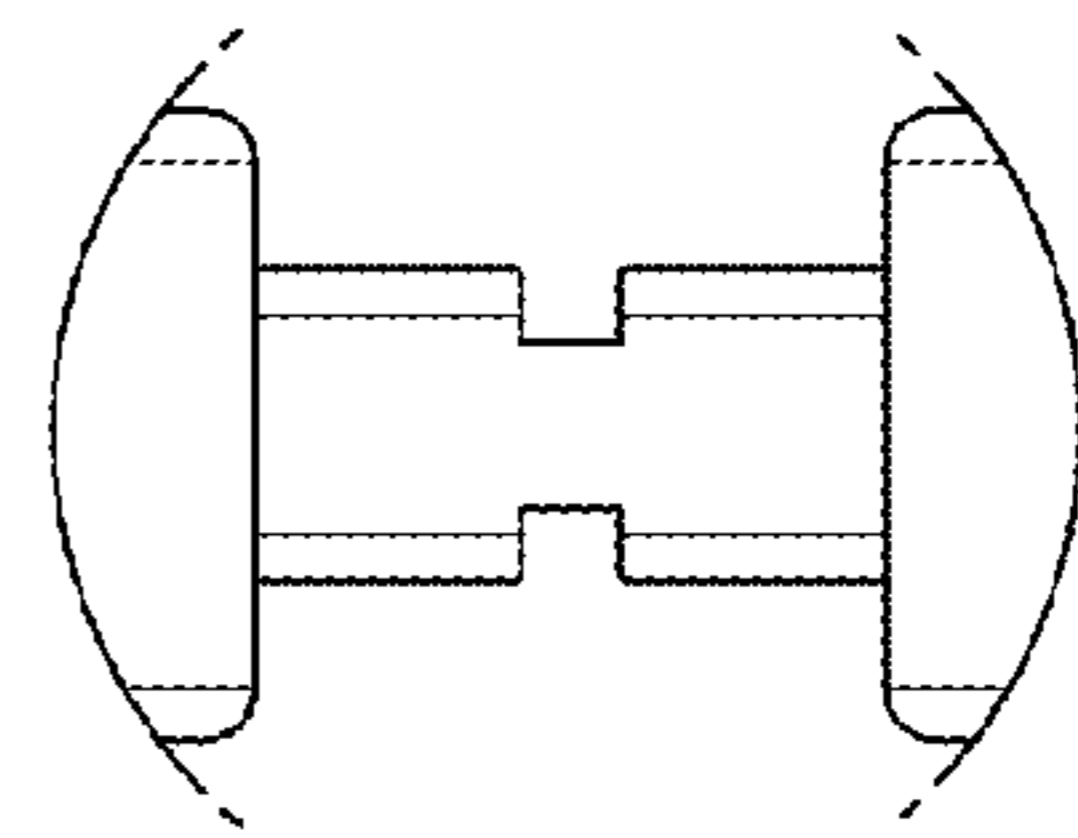


FIG. 12

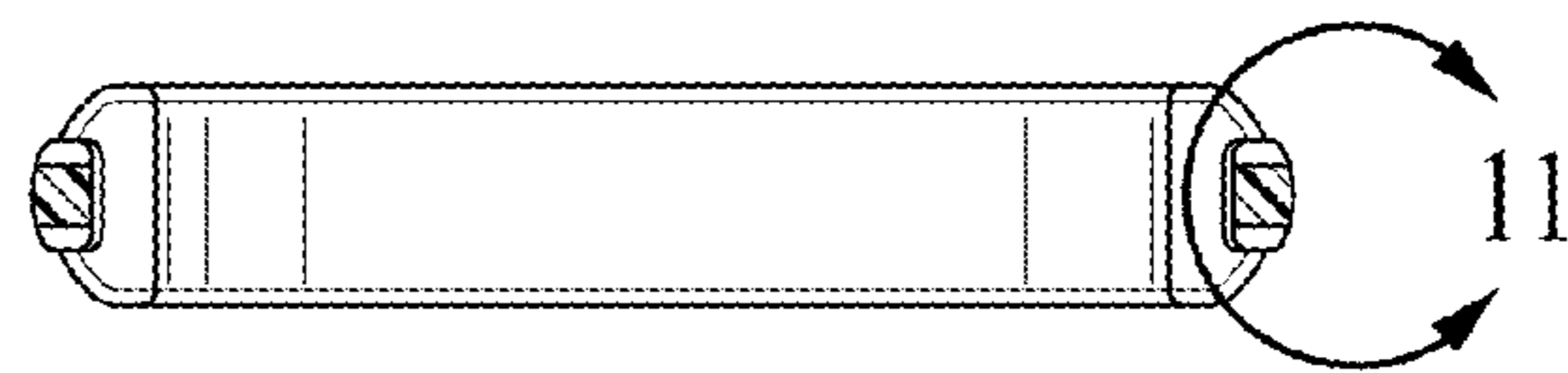


FIG. 10

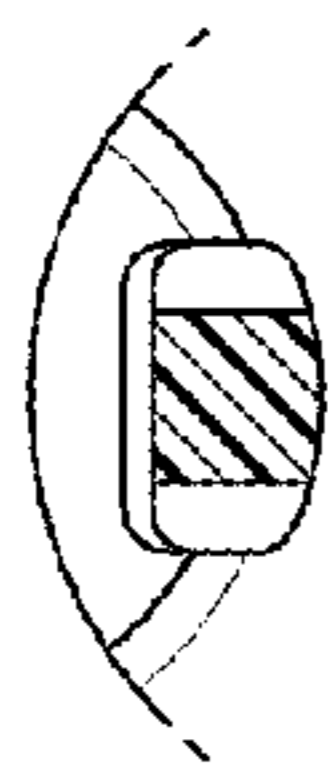


FIG. 11