

US00D684693S

(12) **United States Design Patent**
Hanssen et al.

(10) **Patent No.:** **US D684,693 S**
(45) **Date of Patent:** **** Jun. 18, 2013**

(54) **PROSTHETIC IMPLANT SUPPORT STRUCTURE**

(75) Inventors: **Arlen D. Hanssen**, Rochester, MN (US);
David G. Lewallen, Rochester, MN (US)

(73) Assignee: **Zimmer, Inc.**, Warsaw, IN (US)

(**) Term: **14 Years**

(21) Appl. No.: **29/379,094**

(22) Filed: **Nov. 15, 2010**

Related U.S. Application Data

(60) Continuation of application No. 11/560,276, filed on Nov. 15, 2006, which is a division of application No. 10/225,774, filed on Aug. 22, 2002, now abandoned.

(51) **LOC (9) Cl.** **24-02**

(52) **U.S. Cl.**
USPC **D24/155**

(58) **Field of Classification Search**
USPC D24/155, 156, 133, 152, 154, 135, D24/144-146, 151; 606/194, 198, 99, 100, 606/264, 266, 280, 319, 329; 623/23.54, 623/23.7, 1.15, 903, 19.11, 19.13, 19.14, 623/20.11, 20.2, 23.42, 23.46-23.48; 604/1.02, 604/103.02

See application file for complete search history.

(56) **References Cited**

U.S. PATENT DOCUMENTS

2,947,308 A 8/1960 Gorman
3,658,056 A * 4/1972 Huggler et al. 623/22.43
D230,429 S * 2/1974 Davidson D24/155
3,855,638 A 12/1974 Pilliar
3,871,031 A 3/1975 Boutin
3,891,997 A 7/1975 Herbert

3,903,549 A 9/1975 Deyerle
3,918,102 A 11/1975 Eichler
4,064,567 A 12/1977 Burstein et al.
4,136,405 A 1/1979 Pastrick et al.
4,164,794 A * 8/1979 Spector et al. 623/23.6
4,206,516 A 6/1980 Pilliar
4,216,549 A 8/1980 Hillberry et al.
4,219,893 A 9/1980 Noiles

(Continued)

FOREIGN PATENT DOCUMENTS

AU 2004203348 A1 9/2005
CA 2473633 A1 9/2005

(Continued)

OTHER PUBLICATIONS

Office Action mailed Jul. 25, 2012 in related U.S. Appl. No. 12/946,132.

(Continued)

Primary Examiner — Ian Simmons

Assistant Examiner — Charles Hanson

(74) *Attorney, Agent, or Firm* — Schwegman, Lundberg & Woessner P.A.

(57) **CLAIM**

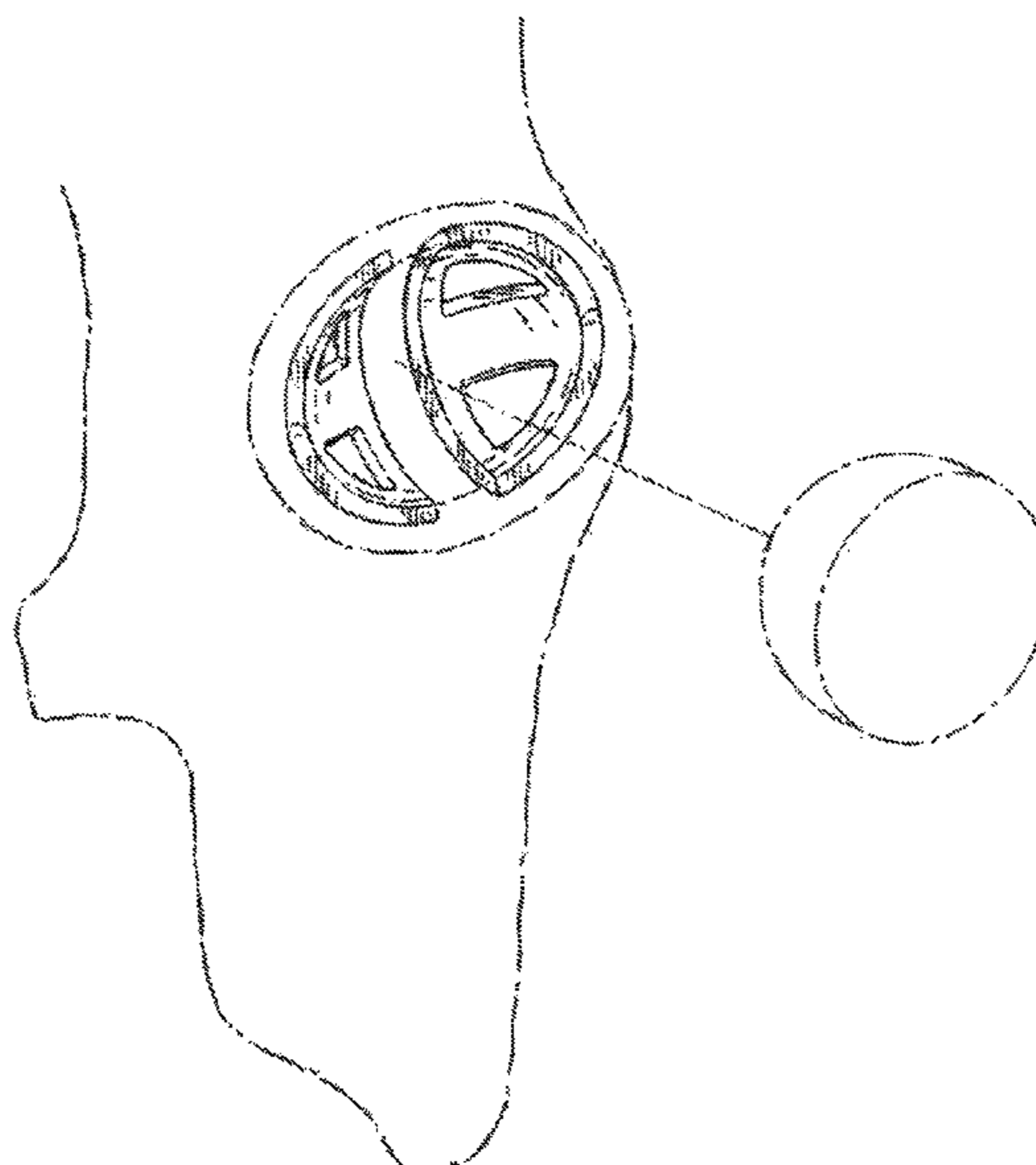
The ornamental design for a prosthetic implant support structure, as shown and described.

DESCRIPTION

FIG. 1 is a perspective view illustrating a prosthetic implant support structure of our new design; FIG. 2 is a front end elevation view thereof; and, FIG. 3 is a rear end elevation view thereof.

Broken lines appearing in the several views form no part of the claimed design. Unclaimed subject matter is shown in broken lines for the purpose of illustrating the environment in which the article embodying the design is used.

1 Claim, 2 Drawing Sheets



US D684,693 S

U.S. PATENT DOCUMENTS			FOREIGN PATENT DOCUMENTS		
4,224,696	A	9/1980 Murray et al.	5,976,148	A	11/1999 Charpenet et al.
4,404,691	A	9/1983 Buning et al.	5,984,968	A	11/1999 Park
4,444,061	A	4/1984 Mathias et al.	5,997,581	A	12/1999 Khalili
4,523,587	A	6/1985 Frey	6,008,432	A	12/1999 Taylor
4,549,319	A	10/1985 Meyer	6,013,080	A	1/2000 Khalili
4,659,331	A	4/1987 Matthews et al.	6,039,764	A	3/2000 Pottenger et al.
4,662,891	A	5/1987 Noiles	6,042,612	A	3/2000 Voydeville
4,678,470	A	7/1987 Nashef et al.	6,053,945	A	4/2000 O'Neil et al.
4,711,639	A	12/1987 Grunde	6,074,423	A	6/2000 Lawson
4,718,909	A	1/1988 Brown	6,074,424	A	6/2000 Perrone et al.
4,735,625	A	4/1988 Davidson	6,080,195	A	6/2000 Colleran et al.
4,778,473	A	10/1988 Matthews et al.	6,117,175	A	9/2000 Bosredon
4,789,663	A	12/1988 Wallace et al.	6,126,691	A	10/2000 Kasra et al.
4,790,852	A	12/1988 Noiles	6,136,029	A	10/2000 Johnson et al.
4,822,366	A	4/1989 Bolesky	6,139,581	A	10/2000 Engh et al.
4,827,919	A	5/1989 Barbarito et al.	6,139,584	A	10/2000 Ochoa et al.
4,828,565	A	5/1989 Duthoit et al.	6,142,998	A	11/2000 Smith et al.
4,834,759	A	5/1989 Sportono et al.	6,162,254	A	12/2000 Timoteo
4,878,919	A	11/1989 Pavlansky et al.	6,162,255	A	12/2000 Oyola
4,883,448	A	11/1989 Kobayashi et al.	6,171,342	B1	1/2001 O'Neil
4,883,488	A	11/1989 Bloebaum et al.	6,264,699	B1	7/2001 Noiles
4,888,021	A	12/1989 Forte et al.	6,290,725	B1	9/2001 Weiss et al.
4,944,757	A	7/1990 Martinez et al.	6,328,764	B1 *	12/2001 Mady 623/22.16
4,950,298	A	8/1990 Gustilo et al.	6,355,069	B1	3/2002 DeCarlo, Jr. et al.
4,988,359	A	1/1991 Frey et al.	6,368,352	B1 *	4/2002 Camino et al. 623/19.12
5,019,103	A	5/1991 Van Zile et al.	6,423,096	B1	7/2002 Musset et al.
5,032,134	A	7/1991 Lindwer	6,428,578	B2	8/2002 White
5,059,196	A	10/1991 Coates	6,458,161	B1	10/2002 Gibbs et al.
5,092,897	A *	3/1992 Forte 623/22.18	6,613,092	B1	9/2003 Kana et al.
5,108,446	A	4/1992 Wagner et al.	6,699,293	B2	3/2004 White
5,133,771	A	7/1992 Duncan et al.	6,797,006	B2	9/2004 Hodorek
5,152,797	A	10/1992 Luckman et al.	6,843,806	B2	1/2005 Haves et al.
5,156,626	A *	10/1992 Broderick et al. 623/22.12	6,875,218	B2 *	4/2005 Dye et al. 606/91
5,163,966	A	11/1992 Norton et al.	6,875,237	B2 *	4/2005 Dye 623/22.21
5,176,711	A	1/1993 Grimes	6,926,740	B2 *	8/2005 Lewis et al. 623/22.28
5,197,488	A	3/1993 Kovacevic	6,946,001	B2	9/2005 Sanford et al.
5,211,664	A	5/1993 Tepic et al.	6,981,991	B2	1/2006 Ferree
5,222,984	A	6/1993 Forte	7,105,026	B2	9/2006 Johnson et al.
5,226,915	A	7/1993 Bertin	7,179,295	B2	2/2007 Kovacevic
5,246,459	A	9/1993 Elias	7,179,296	B2 *	2/2007 Dooney 623/22.21
5,356,414	A	10/1994 Cohen et al.	7,179,297	B2 *	2/2007 McLean 623/22.11
5,356,629	A	10/1994 Sander et al.	7,179,298	B2 *	2/2007 Greenlee 623/22.16
5,358,527	A	10/1994 Forte	D538,431	S *	3/2007 Botha D24/155
5,358,530	A	10/1994 Hodorek	7,238,208	B2 *	7/2007 Camino et al. 623/19.12
5,370,693	A	12/1994 Kelman et al.	7,264,636	B2 *	9/2007 Lewis et al. 623/22.24
5,376,123	A	12/1994 Klaue et al.	7,291,174	B2	11/2007 German et al.
5,387,241	A	2/1995 Hayes	7,291,177	B2	11/2007 Gibbs
5,405,394	A	4/1995 Davidson	7,435,263	B2	10/2008 Barnett et al.
5,413,604	A	5/1995 Hodge	7,713,306	B2	5/2010 Gibbs
5,462,563	A	10/1995 Shearer et al.	D618,800	S *	6/2010 Mayon et al. D24/155
5,480,445	A	1/1996 Burkinshaw	7,846,212	B2 *	12/2010 Lewis et al. 623/22.24
5,489,311	A	2/1996 Cipolletti	7,892,288	B2	2/2011 Blaylock et al.
5,507,830	A	4/1996 DeMane et al.	7,892,289	B2 *	2/2011 Serafin et al. 623/22.45
5,510,396	A	4/1996 Prewett et al.	8,123,814	B2	2/2012 Meridew et al.
5,531,791	A	7/1996 Wolfbarger et al.	2002/0151984	A1	10/2002 White
5,549,685	A	8/1996 Hayes	2003/0065397	A1	4/2003 Hanssen et al.
5,571,198	A *	11/1996 Drucker et al. 623/22.34	2003/0163203	A1 *	8/2003 Nycz et al. 623/22.36
5,591,233	A	1/1997 Kelman et al.	2003/0183025	A1	10/2003 Krstic
5,609,645	A	3/1997 Vincierra	2003/0229398	A1	12/2003 Iesaka et al.
5,658,338	A	8/1997 Tullos et al.	2004/0034432	A1	2/2004 Weiss et al.
5,658,349	A	8/1997 Brooks et al.	2004/0049270	A1	3/2004 Gewirtz
5,662,158	A *	9/1997 Caldarise 164/456	2004/0049284	A1	3/2004 German et al.
5,683,467	A	11/1997 Pappas	2004/0117024	A1	6/2004 Gerbec et al.
5,702,478	A	12/1997 Tornier	2004/0162619	A1	8/2004 Blaylock et al.
5,702,483	A *	12/1997 Kwong 623/22.4	2004/0172137	A1	9/2004 Blaylock et al.
5,734,959	A	3/1998 Krebs et al.	2005/0107883	A1	5/2005 Goodfried et al.
5,766,256	A	6/1998 Oudard et al.	2005/0278034	A1	12/2005 Johnson et al.
5,782,925	A	7/1998 Collazo et al.	2005/0283254	A1	12/2005 Hayes, Jr. et al.
5,782,929	A *	7/1998 Sederholm 623/22.34	2007/0088443	A1	4/2007 Hanssen et al.
5,788,976	A	8/1998 Bradford	2008/0167722	A1	7/2008 Metzger et al.
5,824,103	A	10/1998 Williams	2008/0281430	A1	11/2008 Kelman et al.
5,858,020	A	1/1999 Johnson et al.	2010/0145452	A1	6/2010 Blaylock et al.
5,871,548	A	2/1999 Sanders et al.	2011/0066252	A1	3/2011 Hanssen et al.
5,879,393	A	3/1999 Whiteside	2011/0295382	A1	12/2011 Hanssen et al.
5,910,172	A	6/1999 Penenberg			
5,931,409	A	8/1999 Nulle et al.			
5,957,979	A	9/1999 Beckman et al.			
5,972,368	A	10/1999 McKay			

EP	1004283	A2	5/2000
EP	0863731	B1	4/2001
EP	1004283	A3	3/2002
FR	2772593	A1	6/1999
GB	2223172	A	4/1990
JP	6-169930	A	6/1994
JP	10-277069	A	10/1998
JP	2000-185062	A	7/2000
JP	2001-503283	T	3/2001
JP	2001-526573	T	12/2001
JP	2004-016822	A	1/2004
JP	2005-246036	A	9/2005
WO	WO97/30661	A1	8/1997
WO	WO99/32053	A1	1/1999
WO	WO02/05732	A1	1/2002
WO	WO-2009089581	A1	7/2009

OTHER PUBLICATIONS

The European Search Report mailed Jun. 22, 2005 in related European patent application No. 04254352.0.
 The Canadian Office Action mailed Mar. 12, 2010 in related Canadian Application No. 2,473,633.
 The Australian Office Action mailed Jan. 13, 2010 in related Australian Application No. 2004203348.
 Office Action mailed Mar. 28, 2012 in related U.S. Appl. No. 12/946,132.
 Amendment filed Jun. 27, 2012 in related U.S. Appl. No. 12/946,132.
 The Japanese office action mailed May 26, 2009, in related Japanese Patent Application No. 2004-216179.
 Office Action mailed Nov. 2, 2006 in related U.S. Appl. No. 10/794,721.
 Office Action mailed Sep. 3, 2007 in related U.S. Appl. No. 10/794,721.
 Final Office Action mailed Jan. 16, 2008 in related U.S. Appl. No. 10/794,721.
 Office Action mailed Jul. 8, 2008 in related U.S. Appl. No. 10/794,721.
 Final Office Action mailed Jan. 16, 2009 in related U.S. Appl. No. 10/794,721.
 Office Action mailed Jun. 15, 2009 in related U.S. Appl. No. 10/794,721.
 Restriction Requirement mailed Dec. 4, 2006 in U.S. Appl. No. 10/780,378.
 Office Action mailed Mar. 31, 2007 in U.S. Appl. No. 10/780,378.
 Final Office Action mailed Aug. 27, 2007 in U.S. Appl. No. 10/780,378.
 Office Action mailed Dec. 12, 2007 in U.S. Appl. No. 10/780,378.
 Final Office Action mailed Aug. 21, 2008 in U.S. Appl. No. 10/780,378).
 Office Action mailed Feb. 2, 2009 in U.S. Appl. No. 10/780,378.
 U.S. Appl. No. 29/369,066, filed Sep. 1, 2010, Prosthetic Implant Support Structure.
 U.S. Appl. No. 10/225,774, filed Aug. 22, 2002, Prosthetic Implant Support Structure.
 U.S. Appl. No. 11/560,276, filed Nov. 15, 2006, Prosthetic Implant Support Structure.
 U.S. Appl. No. 12/946,132, filed Nov. 15, 2010, Prosthetic Implant Support Structure.
 U.S. Appl. No. 13/205,163, filed Aug. 8, 2011, Prosthetic Implant Support Structure.
 U.S. Appl. No. 12/702,861, filed Feb. 9, 2010, Prosthetic Implant Support Structure.
 U.S. Appl. No. 13/619,091, filed Sep. 14, 2012, Prosthetic Implant Support Structure.
 U.S. Appl. No. 13/619,190, filed Sep. 14, 2012, Prosthetic Implant Support Structure.
 U.S. Appl. No. 13/619,134, filed Sep. 2012, Prosthetic Implant Support Structure.
 U.S. Appl. No. 13/007,225, Jan. 4, 2011, Femoral Augments For Use With Knee Joint Prosthetic.
 U.S. Appl. No. 10/780,378, Feb. 17, 2004, Prosthetic Implant Support Structure.

U.S. Appl. No. 12/886,297, Sep. 20, 2010, Tibial Augments for Use With Knee Joint Prosthesis, Method of Implanting the Tibial Augment, and Associated Tools.
 "U.S. Appl. No. 10/225,774, Advisory Action mailed Oct. 26, 2005", 3 pgs.
 "U.S. Appl. No. 10/225,774, Examiner Interview Summary Mar. 17, 2005", 4 pgs.
 "U.S. Appl. No. 10/225,774, Final Office Action mailed Jun. 6, 2005", 9 pgs.
 "U.S. Appl. No. 10/225,774, Final Office Action mailed Aug. 17, 2006", 8 pgs.
 "U.S. Appl. No. 10/225,774, Non-Final Office Action mailed Feb. 8, 2006", 6 pgs.
 "U.S. Appl. No. 10/225,774, Non-Final Office Action mailed Jun. 30, 2004", 5 pgs.
 "U.S. Appl. No. 10/225,774, Non-Final Office Action mailed Dec. 8, 2004", 6 pgs.
 "U.S. Appl. No. 10/225,774, Response filed Mar. 7, 2005 to Non-Final Office Action mailed Dec. 8, 2004", 21 pgs.
 "U.S. Appl. No. 10/225,774, Response filed Apr. 16, 2004 to Restriction Requirement mailed Mar. 17, 2004", 1 pg.
 "U.S. Appl. No. 10/225,774, Response filed Jun. 7, 2006 to Non-Final Office Action mailed Feb. 8, 2006", 21 pgs.
 "U.S. Appl. No. 10/225,774, Response filed Sep. 20, 2004 to Non-Final Office Action mailed Jun. 30, 2004", 14 pgs.
 "U.S. Appl. No. 10/225,774, Response filed Oct. 6, 2005 to Final Office Action mailed Jun. 6, 2005", 21 pgs.
 "U.S. Appl. No. 10/225,774, Response filed Nov. 15, 2006 to Final Office Action mailed Sep. 17, 2006", 1 pg.
 "U.S. Appl. No. 10/225,774, Restriction Requirement mailed Mar. 17, 2004", 6 pgs.
 "U.S. Appl. No. 10/780,378, Final Office Action mailed Apr. 20, 2010", 7 pgs.
 "U.S. Appl. No. 10/780,378, Final Office Action mailed Aug. 21, 2008", 8 pgs.
 "U.S. Appl. No. 10/780,378, Final Office Action mailed Aug. 27, 2007", 7 pgs.
 "U.S. Appl. No. 10/780,378, Non Final Office Action mailed Feb. 2, 2009", 7 pgs.
 "U.S. Appl. No. 10/780,378, Preliminary Amendment filed Jun. 1, 2004", 20 pgs.
 "U.S. Appl. No. 10/780,378, Response filed Jan. 8, 2007 to Restriction Requirement mailed Dec. 4, 2006", 1 pg.
 "U.S. Appl. No. 10/780,378, Response filed May 28, 2008 to Non-Final Office Action mailed Dec. 12, 2007", 11 pgs.
 "U.S. Appl. No. 10/780,378, Response filed Jun. 15, 2007 to Non-Final Office Action mailed Mar. 30, 2007", 7 pgs.
 "U.S. Appl. No. 10/780,378, Response filed Jun. 24, 2009 to Non-Final Office Action mailed Feb. 2, 2009", 15 pgs.
 "U.S. Appl. No. 10/780,378, Response filed Sep. 19, 2006 to Restriction Requirement mailed Aug. 25, 2006", 1 pg.
 "U.S. Appl. No. 10/780,378, Response filed Nov. 12, 2008 to Final Office Action mailed Aug. 21, 2008", 10 pgs.
 "U.S. Appl. No. 10/780,378, Response filed Dec. 22, 2009 to Restriction Requirement mailed Oct. 22, 2009", 2 pgs.
 "U.S. Appl. No. 10/780,378, Restriction Requirement mailed Aug. 25, 2006", 6 pgs.
 "U.S. Appl. No. 10/780,378, Restriction Requirement mailed Oct. 22, 2009", 7 pgs.
 "U.S. Appl. No. 10/794,721, Final Office Action mailed May 6, 2010", 8 pgs.
 "U.S. Appl. No. 10/794,721, Notice of Allowance mailed Oct. 14, 2010", 6 pgs.
 "U.S. Appl. No. 10/794,721, Response filed Feb. 2, 2007 to Non Final Office Action mailed Nov. 6, 2006", 7 pgs.
 "U.S. Appl. No. 10/794,721, Response filed Apr. 14, 2009 to Final Office Action mailed Jan. 16, 2009", 8 pgs.
 "U.S. Appl. No. 10/794,721, Response filed Jun. 16, 2008 to Final Office Action mailed Jan. 16, 2008", 8 pgs.
 "U.S. Appl. No. 10/794,721, Response filed Sep. 28, 2009 to Non Final Office Action mailed Jun. 15, 2009", 10 pgs.
 "U.S. Appl. No. 10/794,721, Response filed Oct. 6, 2010 to Final Office Action mailed May 6, 2010", 6 pgs.

“U.S. Appl. No. 10/794,721, Response filed Oct. 8, 2008 to Non Final Office Action mailed Jul. 8, 2008”, 8 pgs.
“U.S. Appl. No. 10/794,721, Response filed Nov. 8, 2007 to Non Final Office Action mailed Aug. 3, 2007”, 7 pgs.
“U.S. Appl. No. 10/794,721, Supplemental Response filed Feb. 8, 2010 to Non Final Office Action mailed Jan. 12, 2010”, 2 pgs.
“U.S. Appl. No. 10/794,721, Supplemental Response filed May 18, 2007 to Non Final Office Action mailed Nov. 2, 2006”, 7 pgs.
“U.S. Appl. No. 11/560,276, Examiner Interview Summary mailed Jan. 18, 2012”, 4 pgs.
“U.S. Appl. No. 11/560,276, Examiner Interview Summary mailed Jun. 5, 2012”, 3 pgs.
“U.S. Appl. No. 11/560,276, Final Office Action mailed Mar. 27, 2012”, 8 pgs.
“U.S. Appl. No. 11/560,276, Final Office Action mailed Oct. 8, 2010”, 6 pgs.
“U.S. Appl. No. 11/560,276, Non Final Office Action mailed Mar. 3, 2010”, 8 pgs.
“U.S. Appl. No. 11/560,276, Non Final Office Action mailed Aug. 11, 2011”, 6 pgs.
“U.S. Appl. No. 11/560,276, Response filed Feb. 7, 2011 to Final Office Action mailed Oct. 8, 2010”, 10 pgs.
“U.S. Appl. No. 11/560,276, Response filed Feb. 13, 2012 to Non Final Office Action mailed Aug. 11, 2011”, 13 pgs.
“U.S. Appl. No. 11/560,276, Response filed Jun. 27, 2012 to Final Office Action mailed Mar. 27, 2012”, 12 pgs.
“U.S. Appl. No. 11/560,276, Response filed Aug. 2, 2010 to Non Final Office Action mailed Mar. 3, 2010”, 12 pgs.
“U.S. Appl. No. 11/560,276, Response filed Oct. 21, 2009 to Restriction Requirement mailed Aug. 21, 2009”, 12 pgs.
“U.S. Appl. No. 11/560,276, Restriction Requirement mailed Aug. 21, 2009”, 7 pgs.
“U.S. Appl. No. 12/886,297, Final Office Action mailed Nov. 16, 2012”, 6 pgs.
“U.S. Appl. No. 12/886,297, Non Final Office Action mailed Jun. 21, 2012”, 10 pgs.

“U.S. Appl. No. 12/886,297, Response filed May 7, 2012 to Restriction Requirement mailed Mar. 6, 2012”, 2 pgs.
“U.S. Appl. No. 12/886,297, Response filed Oct. 22, 2012 to Non Final Office Action mailed Jun. 21, 2012”, 19 pgs.
“U.S. Appl. No. 12/886,297, Restriction Requirement mailed Mar. 6, 2012”, 6 pgs.
“U.S. Appl. No. 12/946,132, Examiner Interview Summary mailed Jun. 5, 2012”, 3 pgs.
“U.S. Appl. No. 12/946,132, Final Office Action mailed Jul. 25, 2012”, 12 pgs.
“U.S. Appl. No. 12/946,132, Response filed Sep. 6, 2011 to Restriction Requirement mailed Aug. 23, 2011”, 8 pgs.
“U.S. Appl. No. 12/946,132, Response filed Sep. 24, 2012 to Final Office Action mailed Jul. 25, 2012”, 16 pgs.
“U.S. Appl. No. 12/946,132, Restriction Requirement mailed Aug. 23, 2011”, 8 pgs.
“U.S. Appl. No. 13/007,225, Non Final Office Action mailed Nov. 19, 2012”, 9 pgs.
“U.S. Appl. No. 13/007,225, Preliminary Amendment filed Jan. 14, 2011”, 4 pgs.
“U.S. Appl. No. 13/007,225, Response filed Oct. 22, 2012 to Restriction Requirement mailed Sep. 20, 2012”, 10 pgs.
“U.S. Appl. No. 13/007,225, Restriction Requirement mailed Sep. 20, 2012”, 8 pgs.
“U.S. Appl. No. 13/007,225, Supplemental Preliminary Amendment filed Sep. 23, 2011”, 8 pgs.
“U.S. Appl. No. 13/205,163, Preliminary Amendment filed Aug. 8, 2011”, 8 pgs.
“U.S. Appl. No. 13/619,190, Preliminary Amendment filed Oct. 29, 2012”, 8 pgs.
“U.S. Appl. No. 29/379,094, Application filed Nov. 15, 2010”, 6 pgs.
“Femoral/Tibial Augmentation Orthopaedic Salvage System”, Biomet Orthopedics, Inc., Product Brochure, (2003, 2004), 12 pgs.

* cited by examiner

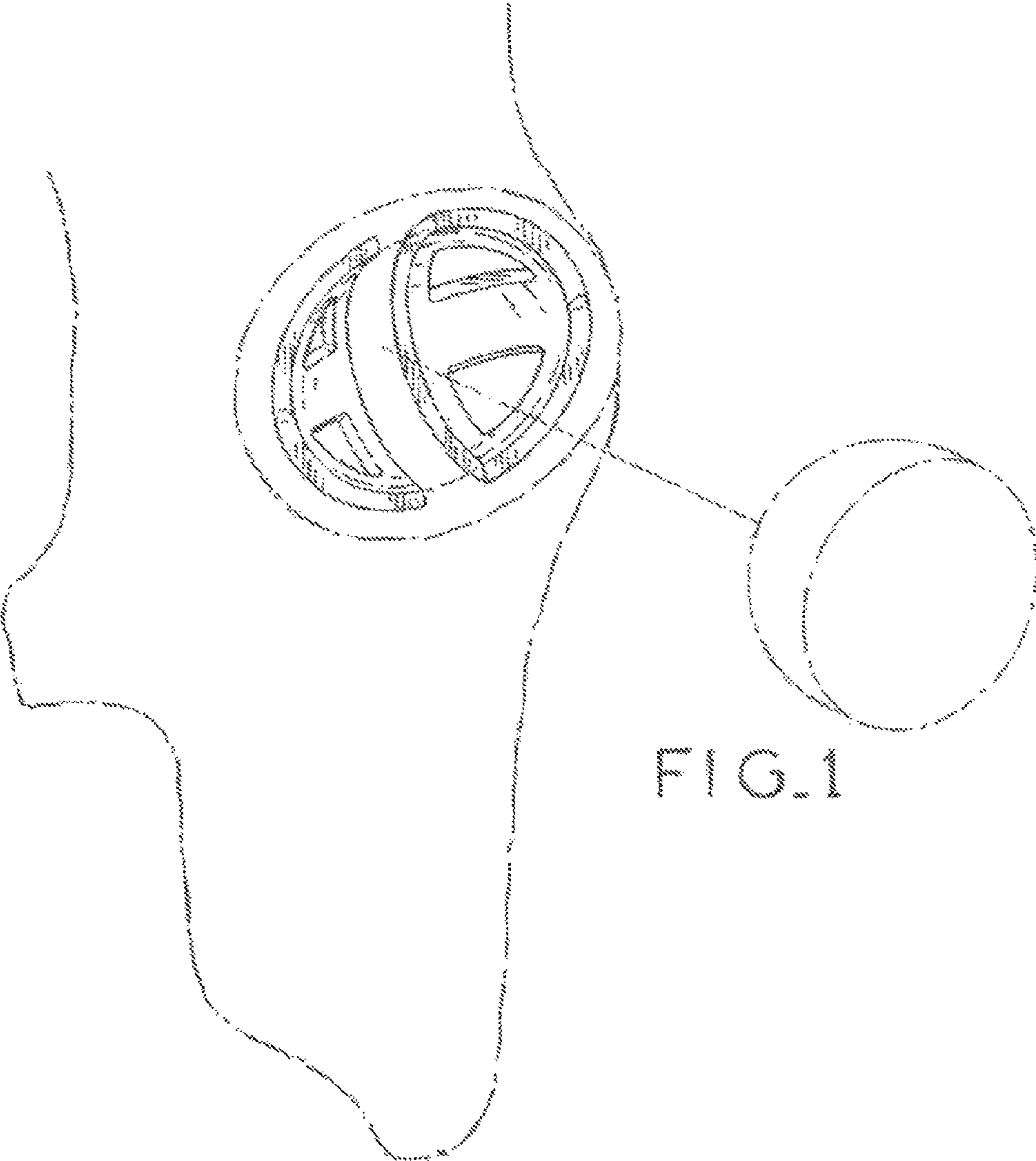


FIG. 1

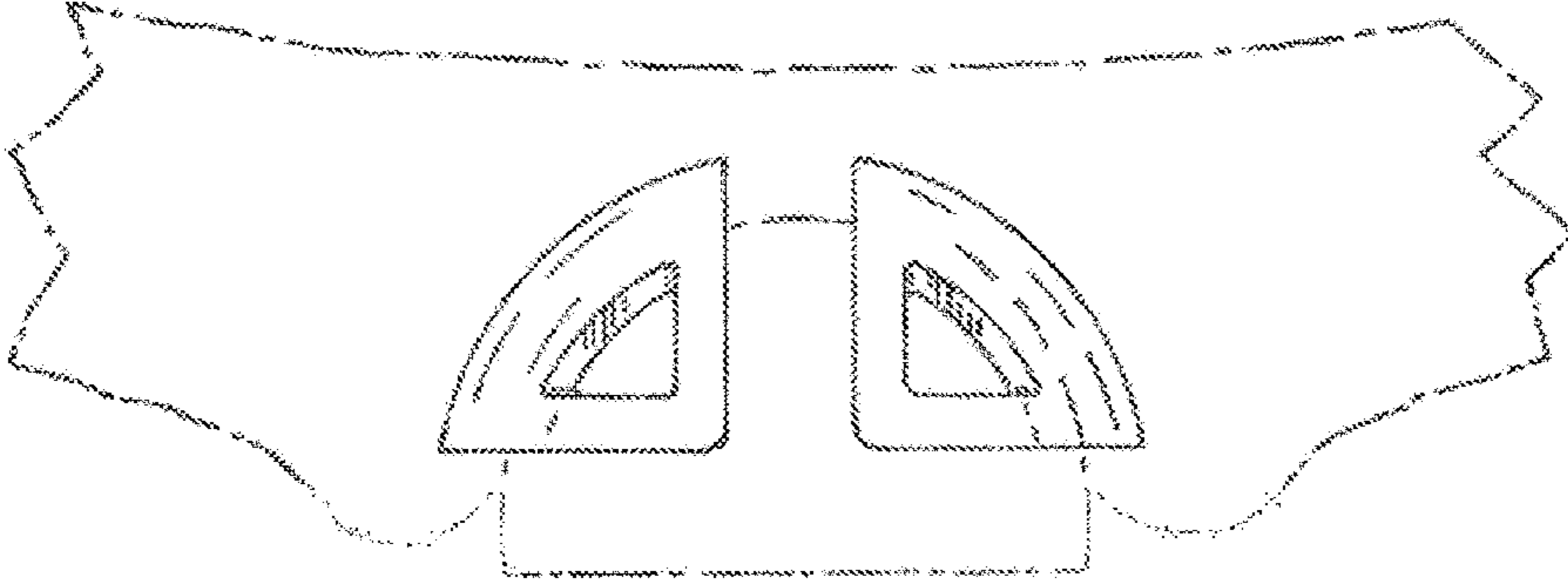


FIG. 2

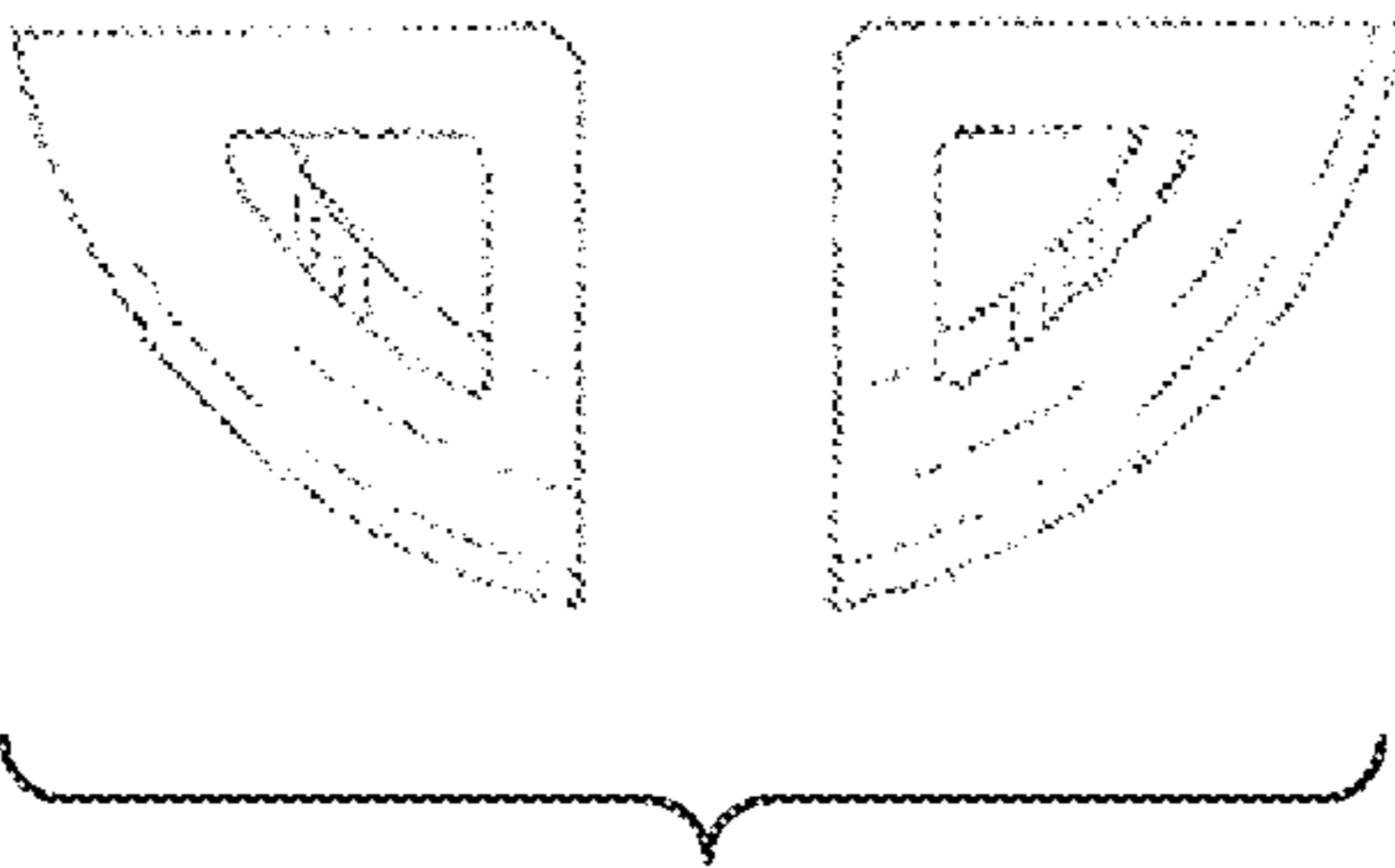


FIG. 3