



US00D684690S

(12) **United States Design Patent**  
**Senger**

(10) **Patent No.:** **US D684,690 S**  
(45) **Date of Patent:** **\*\* \*Jun. 18, 2013**

(54) **TARGETING DEVICE**

(75) Inventor: **Reto Senger**, Winterthur (CH)

(73) Assignee: **Zimmer GmbH**, Winterthur (CH)

(\*) Notice: This patent is subject to a terminal disclaimer.

(\*\*) Term: **14 Years**

(21) Appl. No.: **29/410,808**

(22) Filed: **Jan. 12, 2012**

(51) **LOC (9) Cl.** ..... **24-02**

(52) **U.S. Cl.**  
USPC ..... **D24/140**

(58) **Field of Classification Search**  
USPC ..... D24/133, 135, 140, 190–192; 606/67,  
606/86 A, 86 B, 86 R, 87, 96, 98, 130  
See application file for complete search history.

(56) **References Cited**

**U.S. PATENT DOCUMENTS**

D332,141	S	*	12/1992	Rosenberg et al.	.....	D24/133
D444,233	S	*	6/2001	Bohanan	.....	D24/140
D496,996	S	*	10/2004	Jensen et al.	.....	D24/140
7,077,847	B2	*	7/2006	Pusnik et al.	.....	606/96
D532,515	S	*	11/2006	Buttler et al.	.....	D24/140
D540,951	S	*	4/2007	Buttler et al.	.....	D24/184
D599,014	S	*	8/2009	Boone et al.	.....	D24/133
2003/0220651	A1		11/2003	Pusnik et al.		
2008/0039857	A1	*	2/2008	Giersch et al.	.....	606/96
2008/0281330	A1	*	11/2008	Ferrante et al.	.....	606/96
2008/0281331	A1		11/2008	Fritzinger et al.		
2009/0240252	A1	*	9/2009	Chang	.....	606/96
2009/0299375	A1	*	12/2009	Wack et al.	.....	606/96
2009/0326541	A1	*	12/2009	Metzinger et al.	.....	606/98
2010/0152740	A1		6/2010	O'Reilly et al.		
2010/0274121	A1	*	10/2010	Ritchey et al.	.....	600/424
2011/0054475	A1		3/2011	Metzinger et al.		

**FOREIGN PATENT DOCUMENTS**

EP 1759643 A1 3/2007

**OTHER PUBLICATIONS**

U.S. Appl. No. 29/410,813 entitled "Targeting Guide" filed Jan. 12, 2012 in the U.S. Patent Office.

European Search Report mailed Mar. 19, 2012 from the European Patent Office in related European Patent Application No. 11010156.5.

Stryker Gamma3 Trochanteric Nail 180 Operative Technique, Stryker 2006.

Stryker T2 Supracondylar Nailing System Operative Technique, Stryker 2004.

Zimmer Natural Nail System Cephalomedullary Nail Surgical Technique, Zimmer 2009.

Zimmer Natural Nail System Cephalomedullary Nail Surgical Technique Small, Zimmer 2011.

\* cited by examiner

*Primary Examiner* — Bridget L Eland

(74) *Attorney, Agent, or Firm* — Schwegman, Lundberg & Woessner P.A.

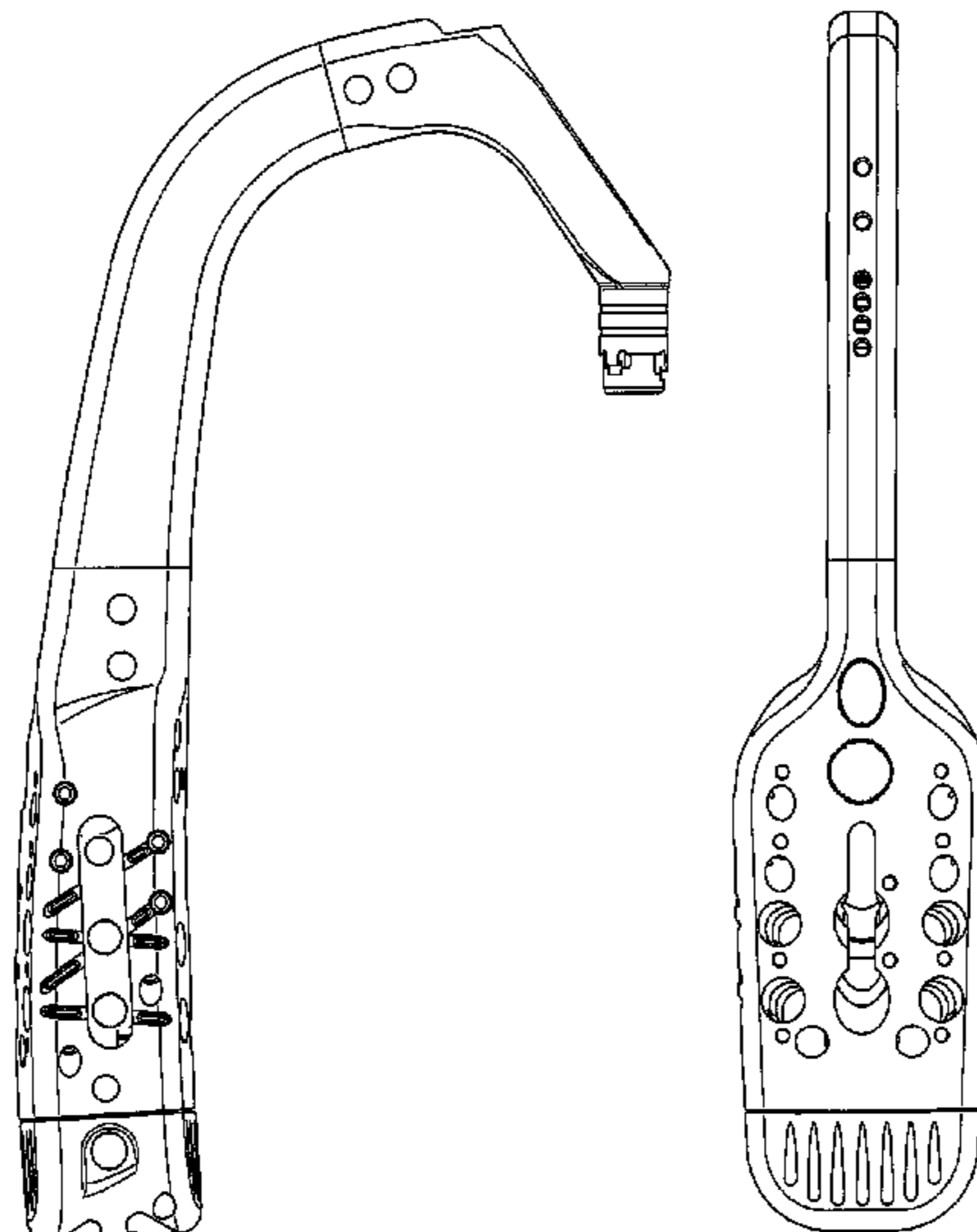
(57) **CLAIM**

The ornamental design for a targeting device, as shown and described.

**DESCRIPTION**

FIG. 1 is a first, lateral perspective view of a targeting device in accordance with my new design;  
FIG. 2 is a second, medial perspective view thereof;  
FIG. 3 is first, anterior/posterior view thereof;  
FIG. 4 is second, opposite anterior/posterior view thereof;  
FIG. 5 is a medial view thereof;  
FIG. 6 is a lateral view thereof;  
FIG. 7 is a proximal view thereof; and,  
FIG. 8 is a distal view thereof.

**1 Claim, 8 Drawing Sheets**



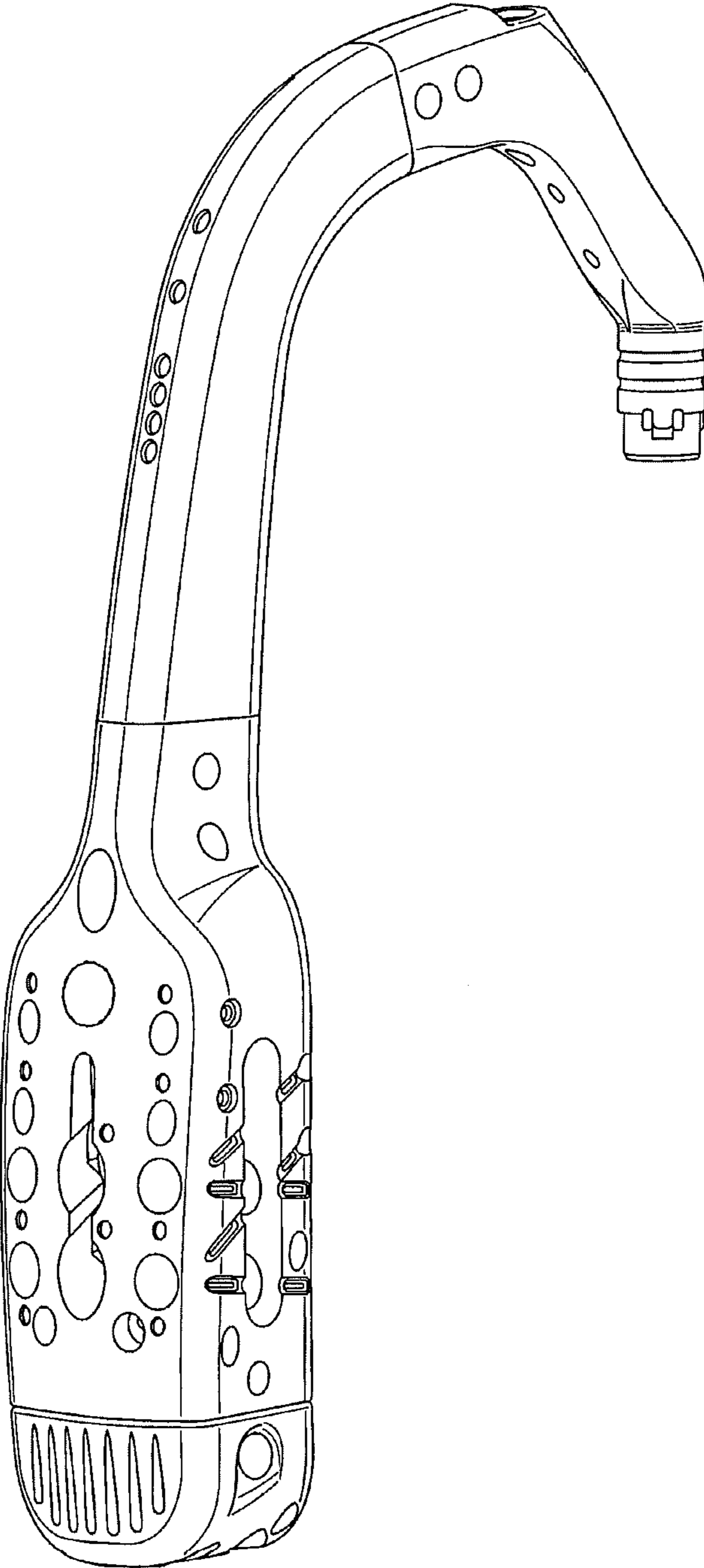


FIG. 1

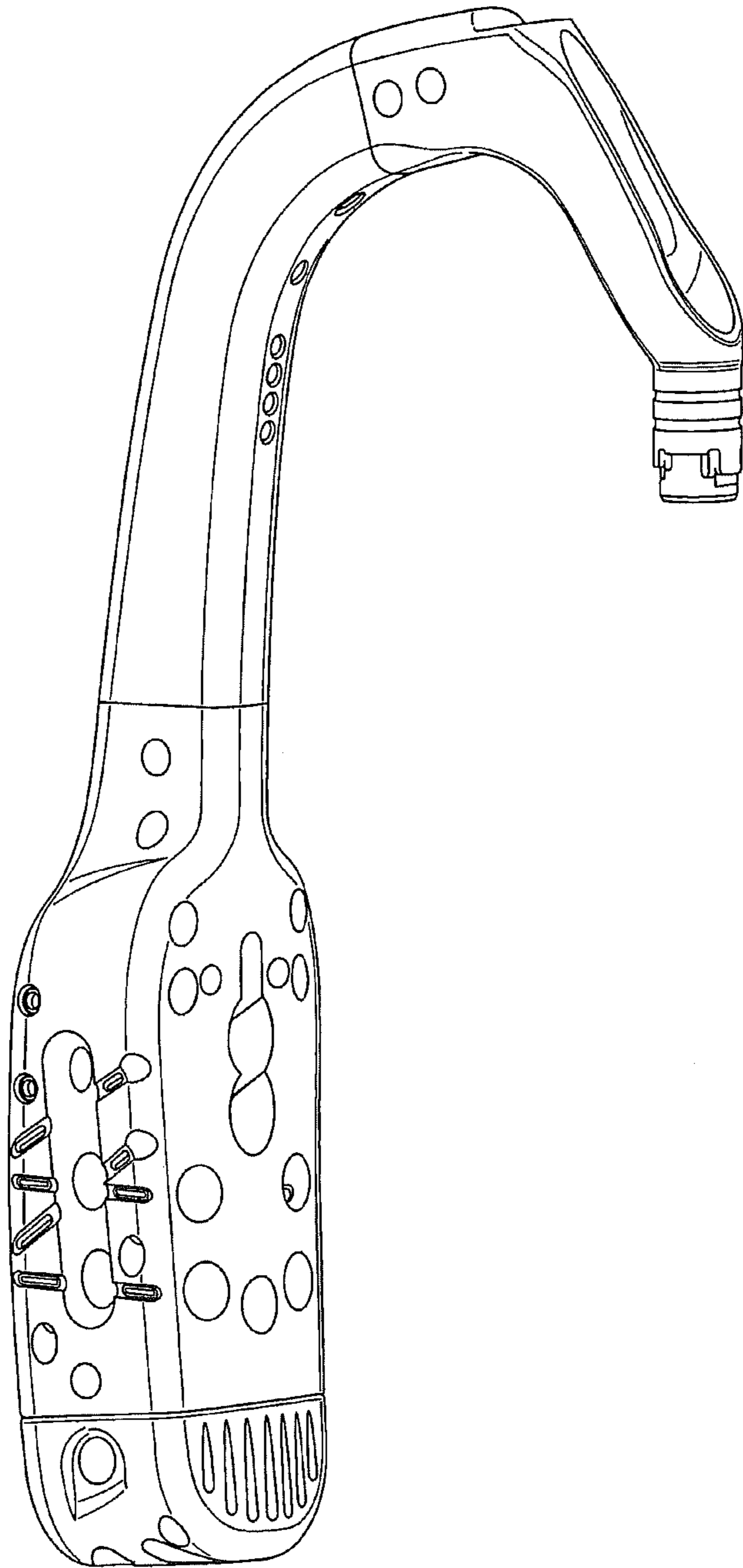


FIG. 2

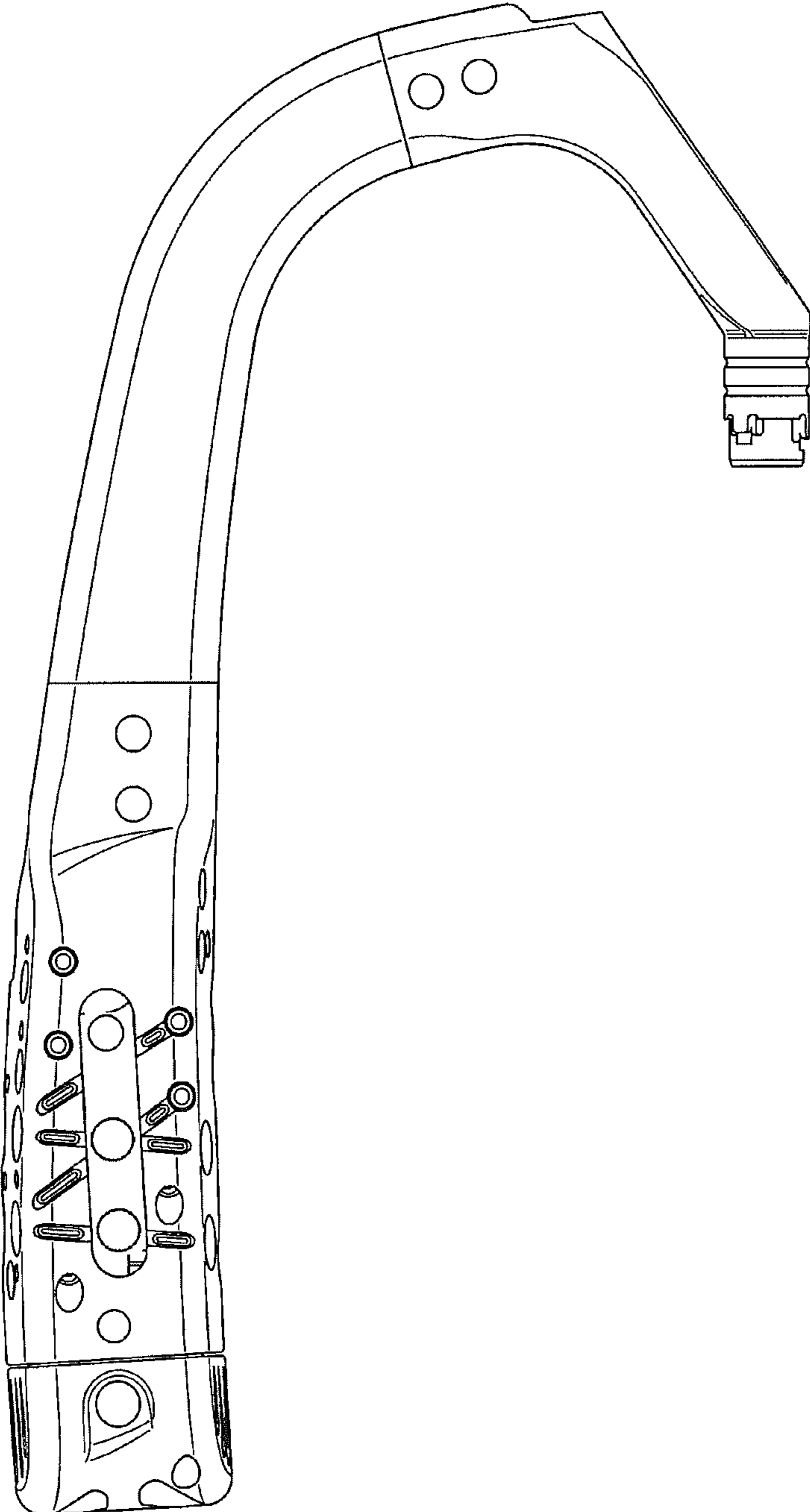


FIG. 3

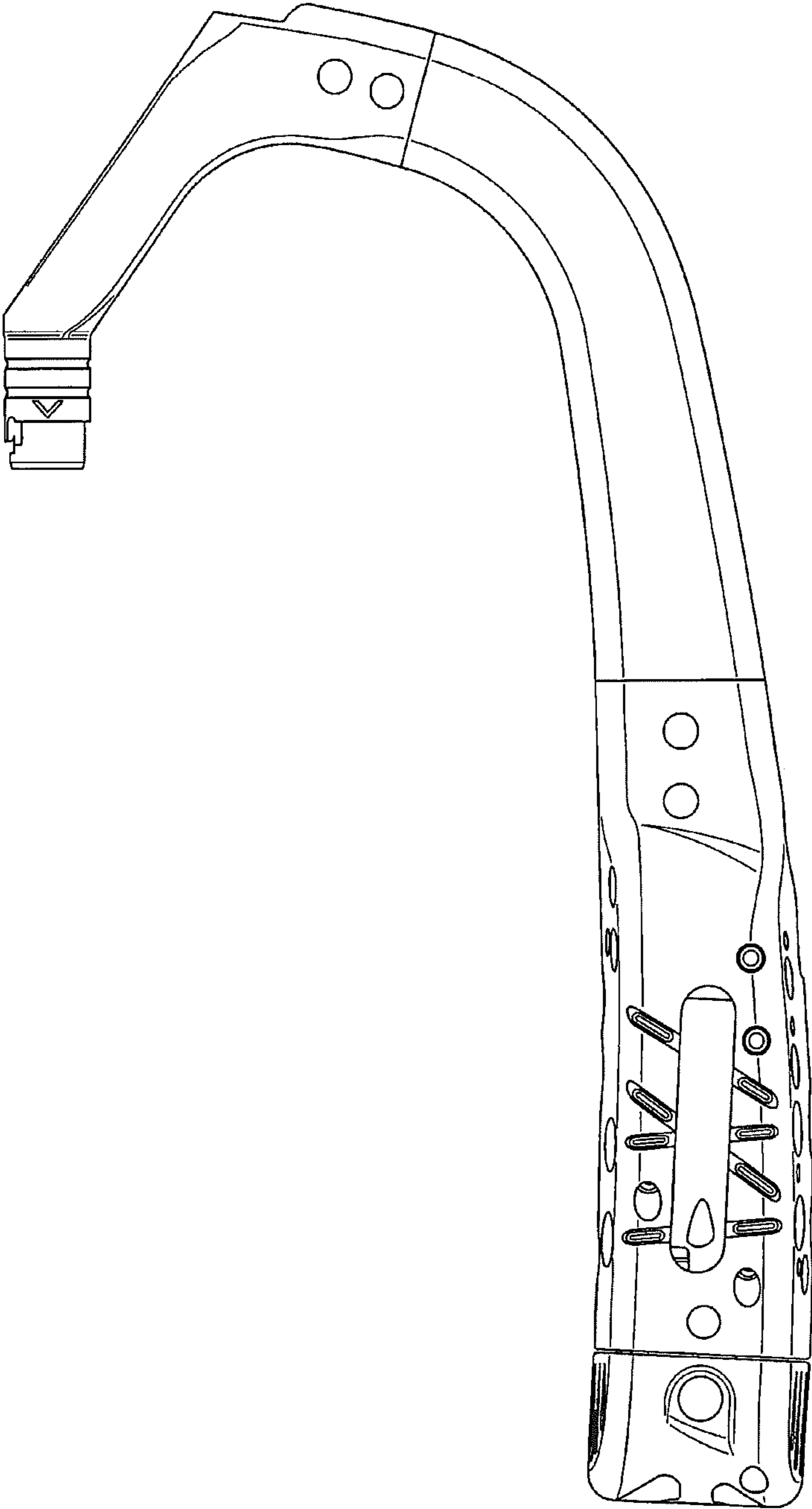


FIG. 4

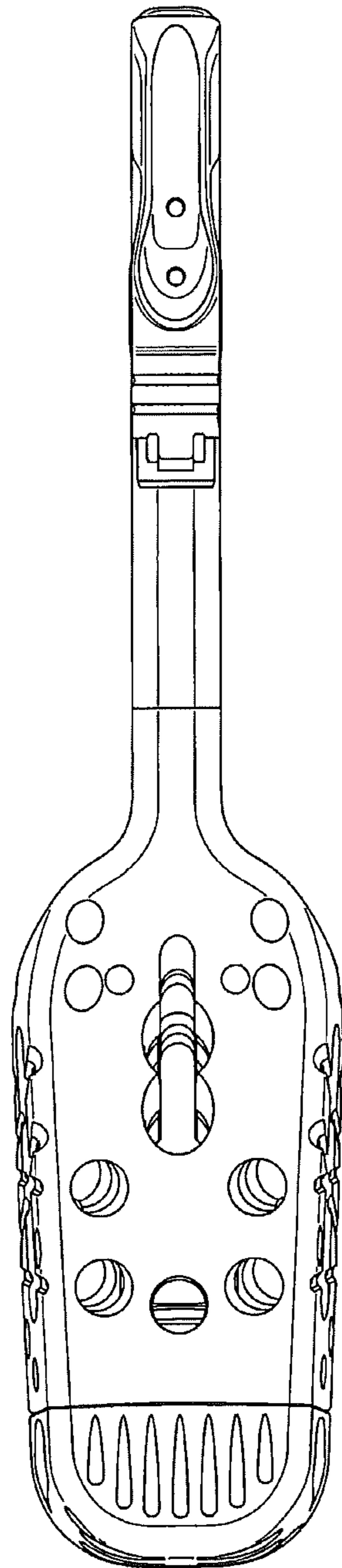


FIG. 5



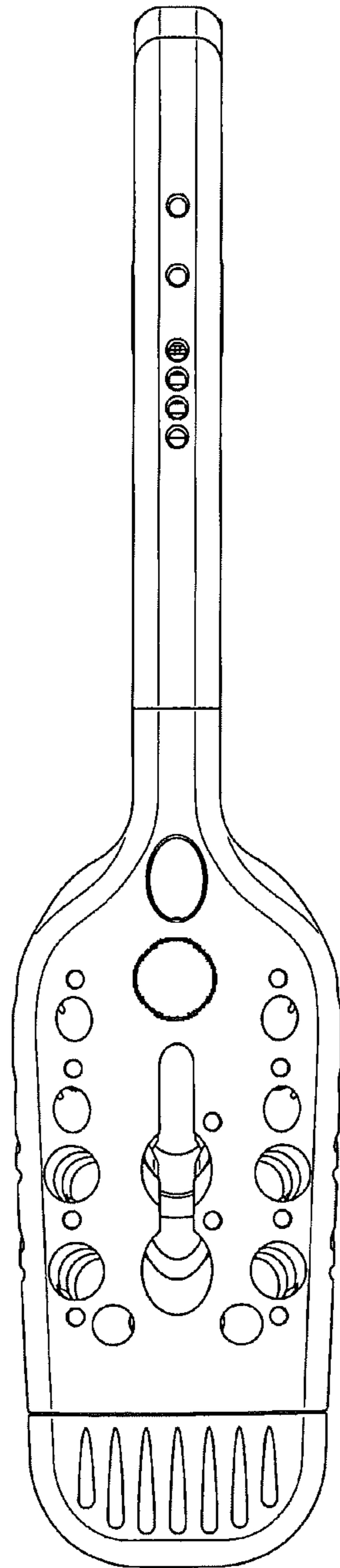


FIG. 6

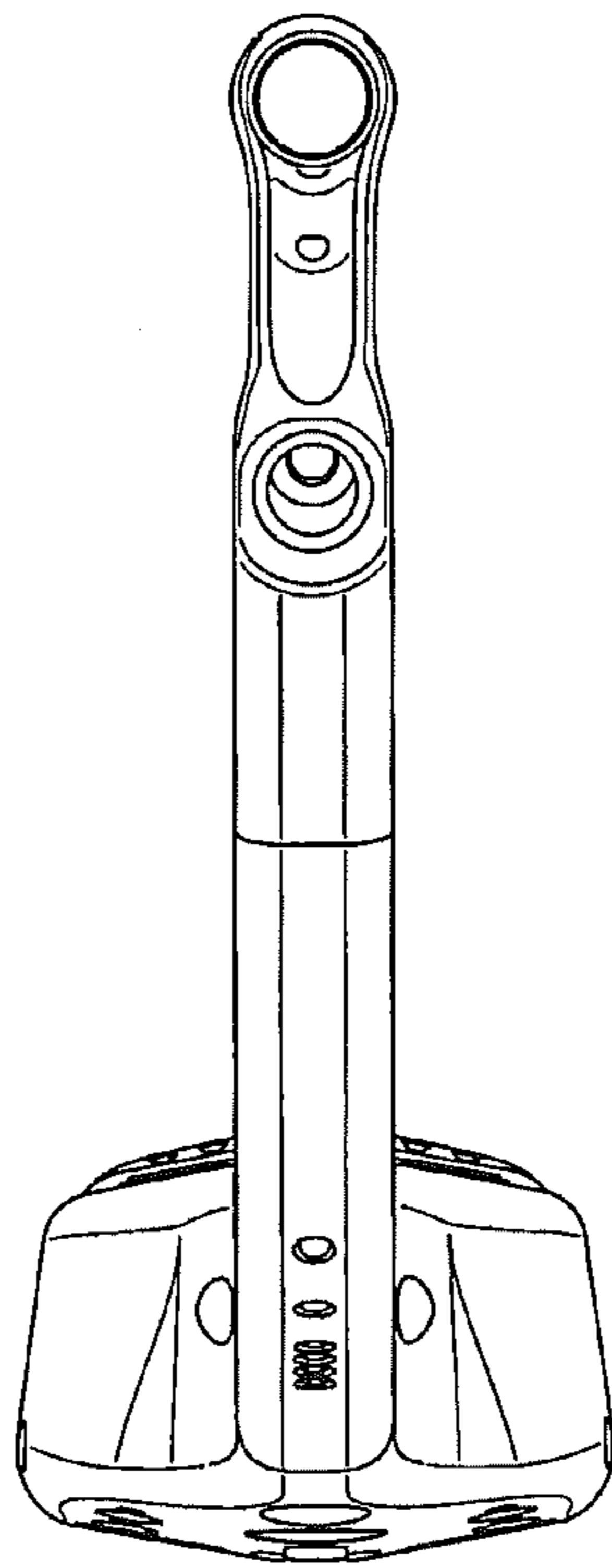


FIG. 7



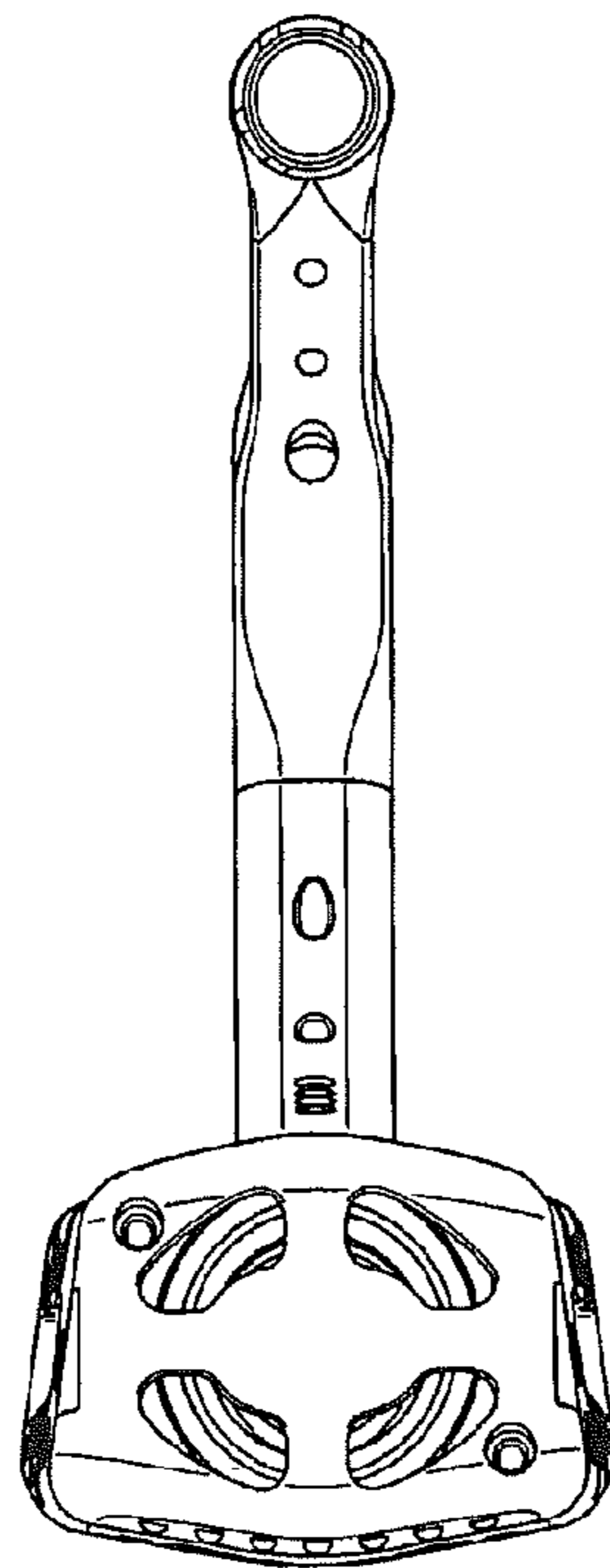


FIG. 8