



US00D684686S

(12) **United States Design Patent**
Cronenberg

(10) **Patent No.:** **US D684,686 S**

(45) **Date of Patent:** **** Jun. 18, 2013**

(54) **INFUSION DEVICE BUTTON**

(75) Inventor: **Richard Cronenberg**, Mahwah, NJ
(US)

(73) Assignee: **Becton, Dickinson and Company**,
Franklin Lakes, NJ (US)

(**) Term: **14 Years**

(21) Appl. No.: **29/418,297**

(22) Filed: **Apr. 13, 2012**

(51) **LOC (9) Cl.** **24-02**

(52) **U.S. Cl.**
USPC **D24/111; D24/108**

(58) **Field of Classification Search**
USPC D24/108, 107, 118, 121, 129, 162,
D24/164, 167, 169, 114, 111; 604/6.09, 180,
604/151, 154, 164.08, 93.01, 153, 141, 54,
604/533, 506, 19, 48, 500; 74/783 PB;
137/636.1; 200/4, 344, 520, 341; 324/429;
715/810; D14/247, 218, 248, 138 AA, 348 AD,
D14/138 G, 138 H, 138 I, 138 J, 138 K, 138 L,
D14/138 M, 138 N, 138 O, 138 P, 138 Q,
D14/138 R; 345/173; D15/7, 8
See application file for complete search history.

(56) **References Cited**

U.S. PATENT DOCUMENTS

3,752,191	A *	8/1973	Botnick	137/636.1
3,832,506	A *	8/1974	Dewhurst	200/314
5,134,259	A *	7/1992	Page, Jr.	200/341
5,889,240	A *	3/1999	Purosto et al.	187/395
D418,144	S *	12/1999	Allen et al.	D14/456
D420,672	S *	2/2000	Dunn et al.	D14/141.3
6,310,308	B1 *	10/2001	Watson et al.	200/520
D479,325	S	9/2003	Tyce		
D479,598	S	9/2003	Tyce		
D479,746	S	9/2003	Tyce		
D590,817	S *	4/2009	Gloscia et al.	D14/247

D621,387 S * 8/2010 Hansen et al. D14/218
D636,766 S * 4/2011 Page D14/247
D636,767 S * 4/2011 Page D14/247

(Continued)

OTHER PUBLICATIONS

U.S. Appl. No. 29/405,929, filed Nov. 8, 2011.

(Continued)

Primary Examiner — Ian Simmons

Assistant Examiner — E Aldridge

(74) *Attorney, Agent, or Firm* — Roylance, Abrams, Berdo
and Goodman, LLP

(57) **CLAIM**

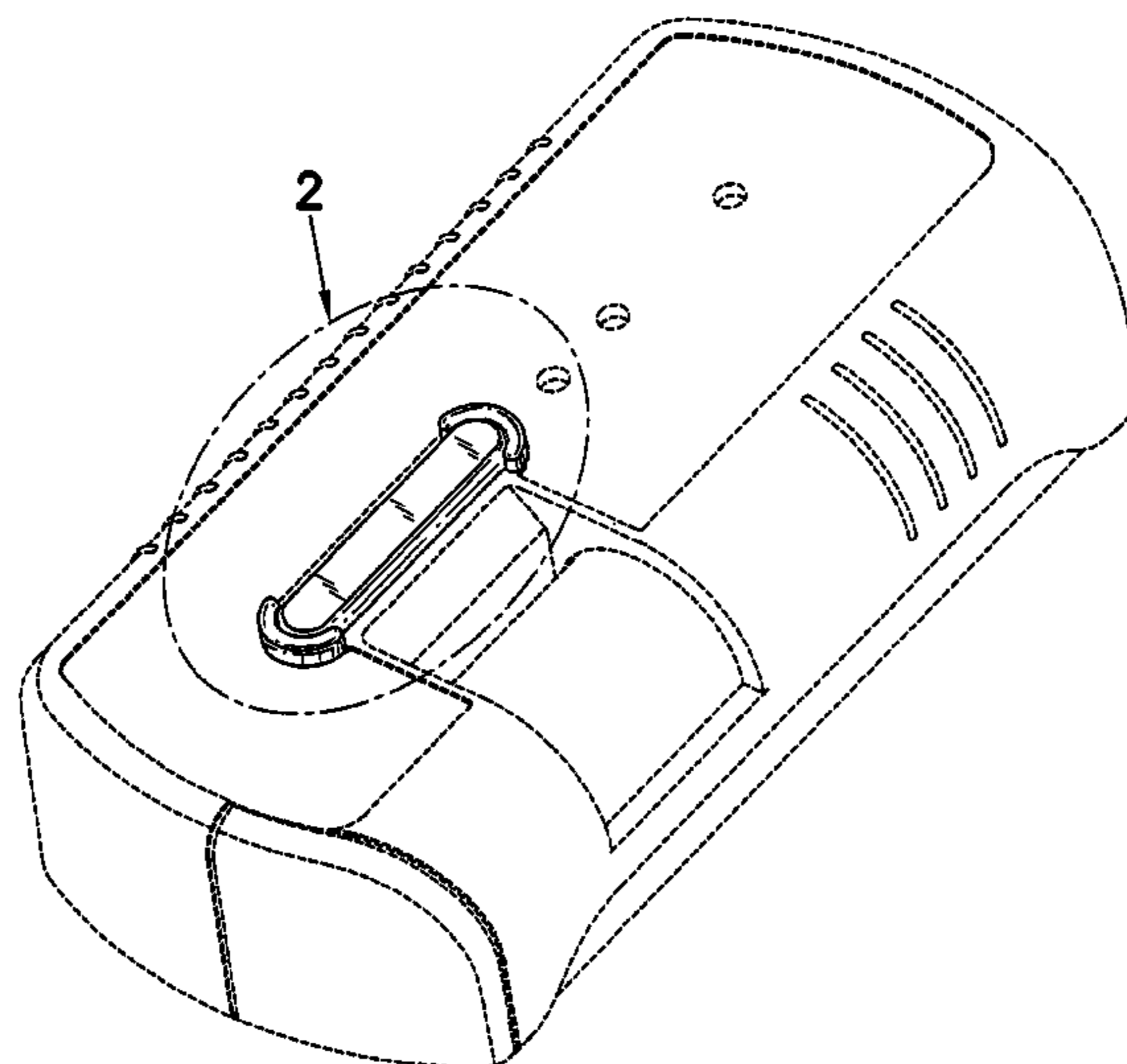
The ornamental design for an infusion device button, as
shown and described.

DESCRIPTION

FIG. 1 is a perspective view of an embodiment of an infusion
device button showing my new design;
FIG. 2 is an enlarged perspective view of the infusion device
button shown in FIG. 1;
FIG. 3 is a top view of the infusion device button shown in
FIG. 1;
FIG. 4 is an enlarged top view of the infusion device button
shown in FIG. 3;
FIG. 5 is a left side elevational view of the infusion device
button shown in FIG. 1;
FIG. 6 is a front elevational view of the infusion device button
shown in FIG. 1;
FIG. 7 is a rear elevational view of the infusion device button
shown in FIG. 1;
FIG. 8 is a right side elevational view of the infusion device
button shown in FIG. 1; and,
FIG. 9 is a bottom view of the infusion device button shown
in FIG. 1.

Broken lines in the drawing figures represent unclaimed envi-
ronmental structure, are for illustrative purposes only, and
form no part of the claimed design.

1 Claim, 5 Drawing Sheets



US D684,686 S

Page 2

U.S. PATENT DOCUMENTS

8,172,803	B2	5/2012	Morrissey et al.	
8,221,359	B2	7/2012	Kristensen et al.	
8,262,618	B2	9/2012	Scheurer	
2007/0192738	A1 *	8/2007	Lee	715/810
2009/0240240	A1	9/2009	Hines et al.	

OTHER PUBLICATIONS

U.S. Appl. No. 29/405,933, filed Nov. 8, 2011.
U.S. Appl. No. 29/405,946, filed Nov. 8, 2011.

* cited by examiner

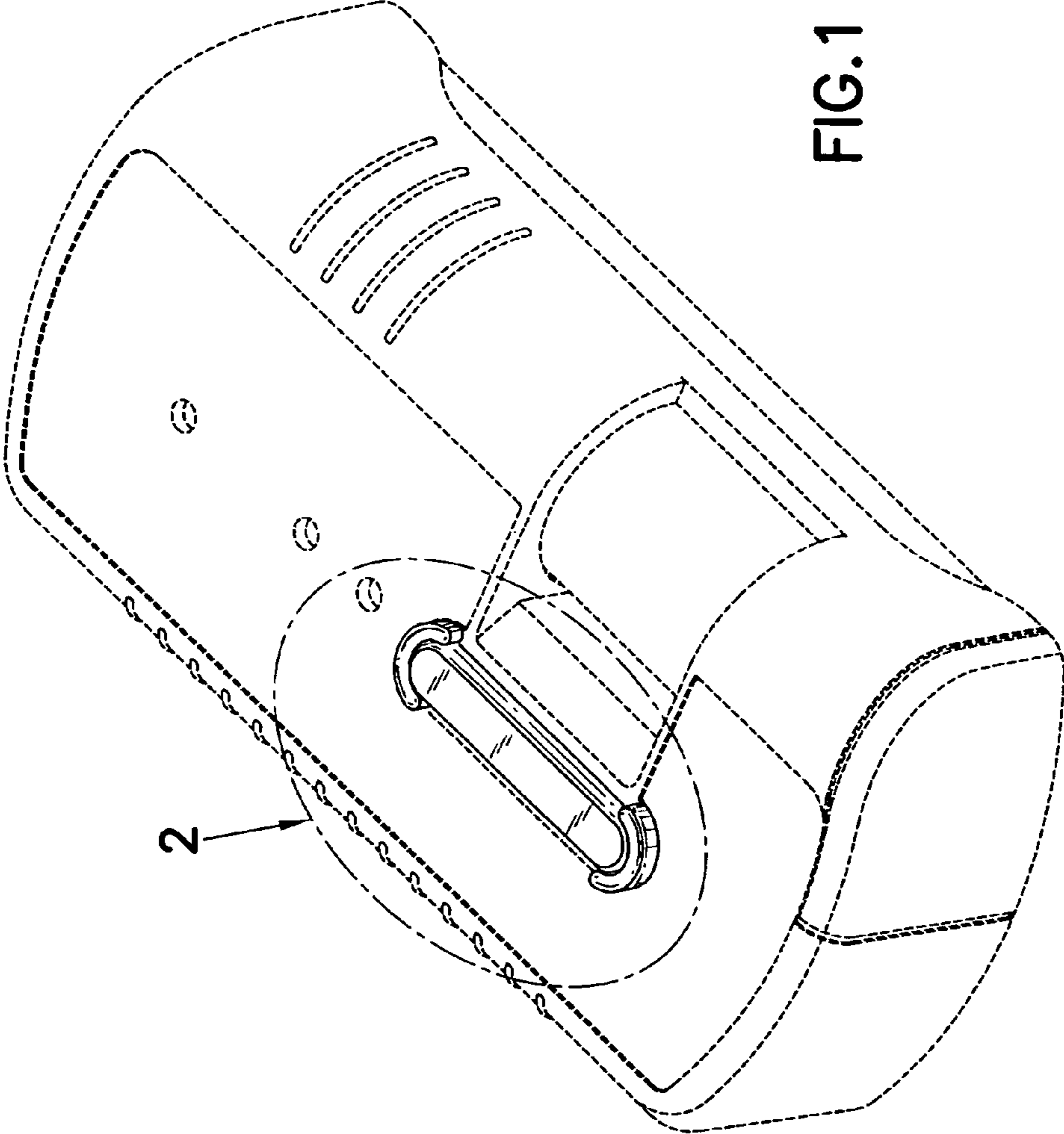


FIG. 1

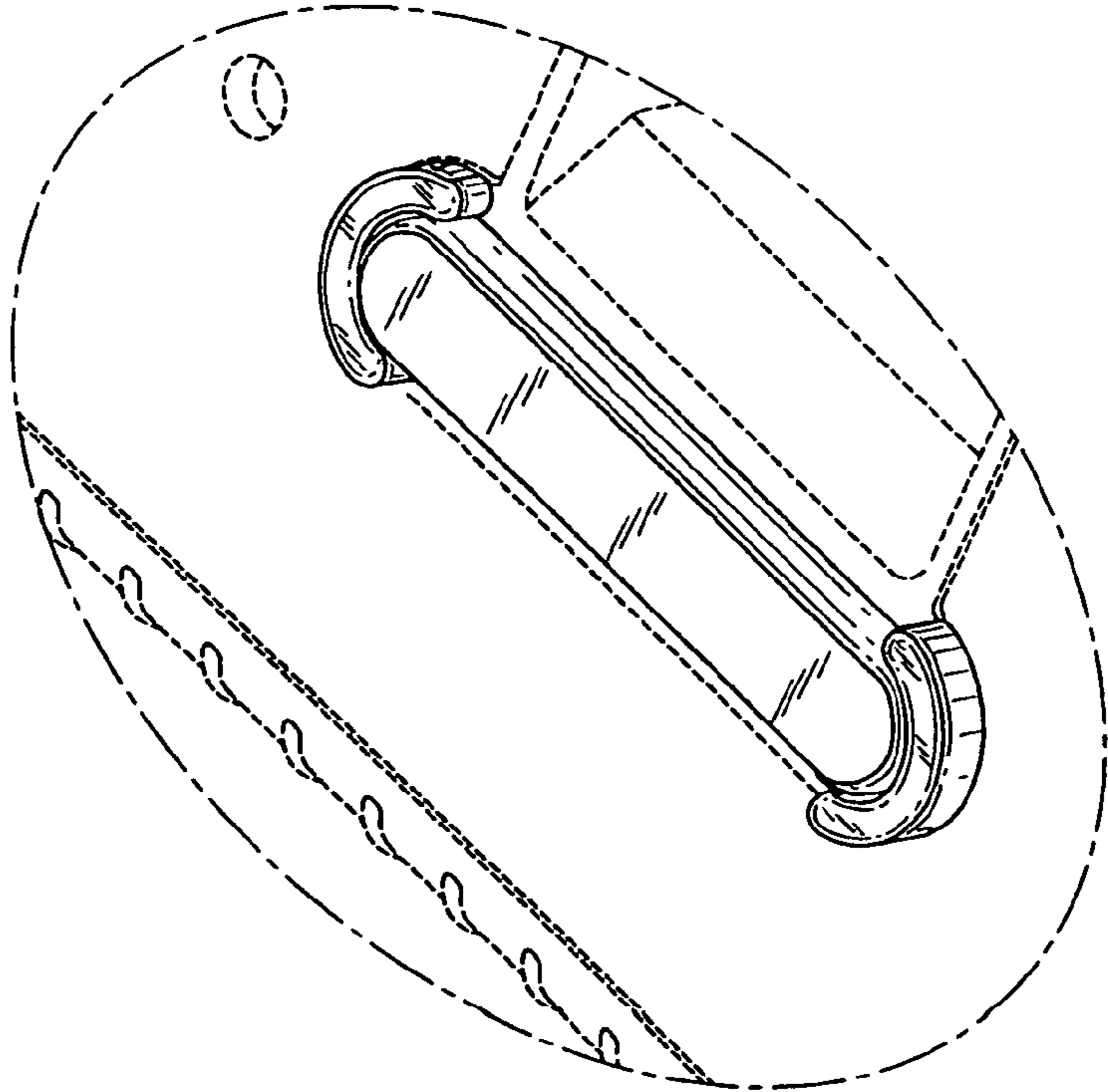


FIG. 2

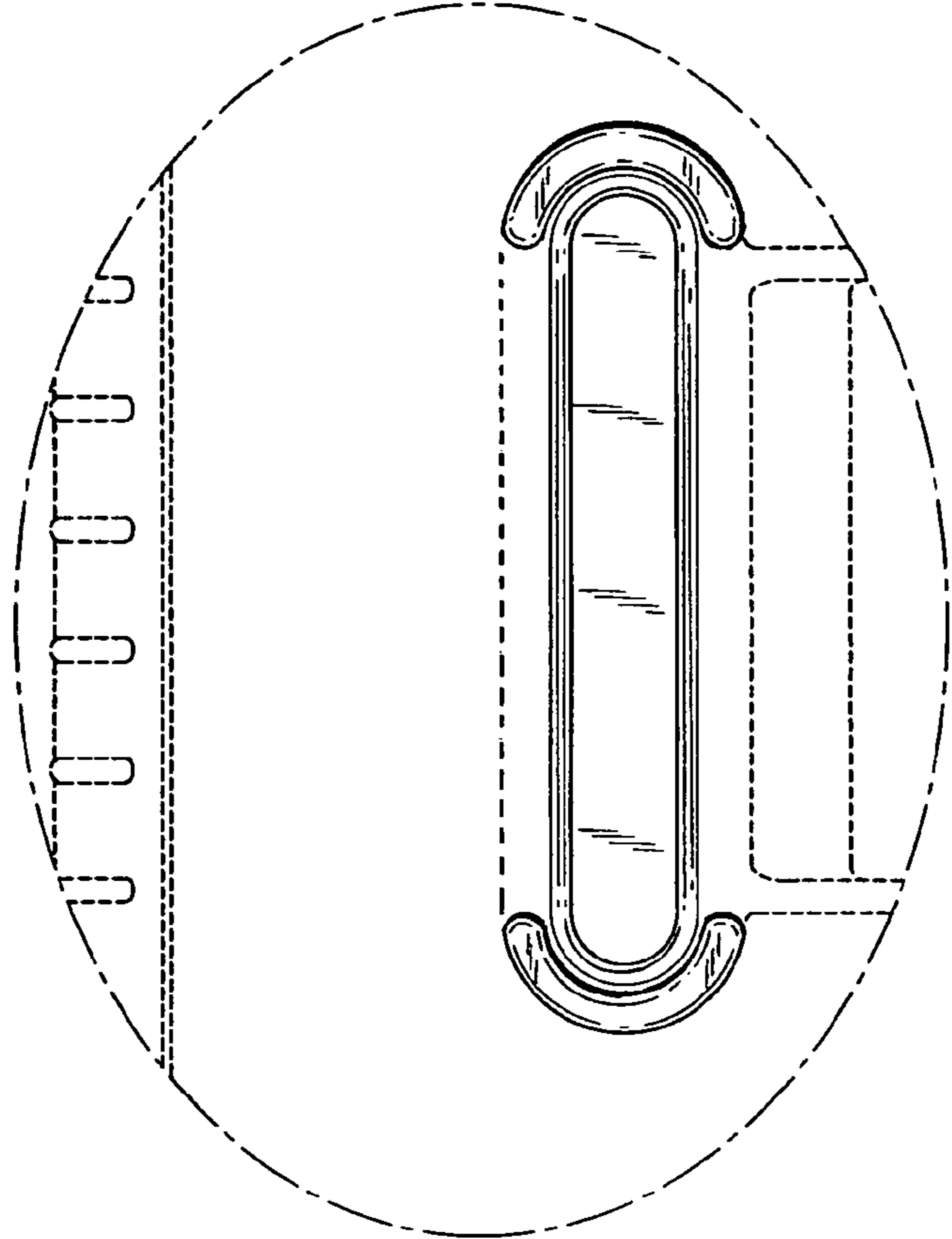


FIG. 4

FIG.3

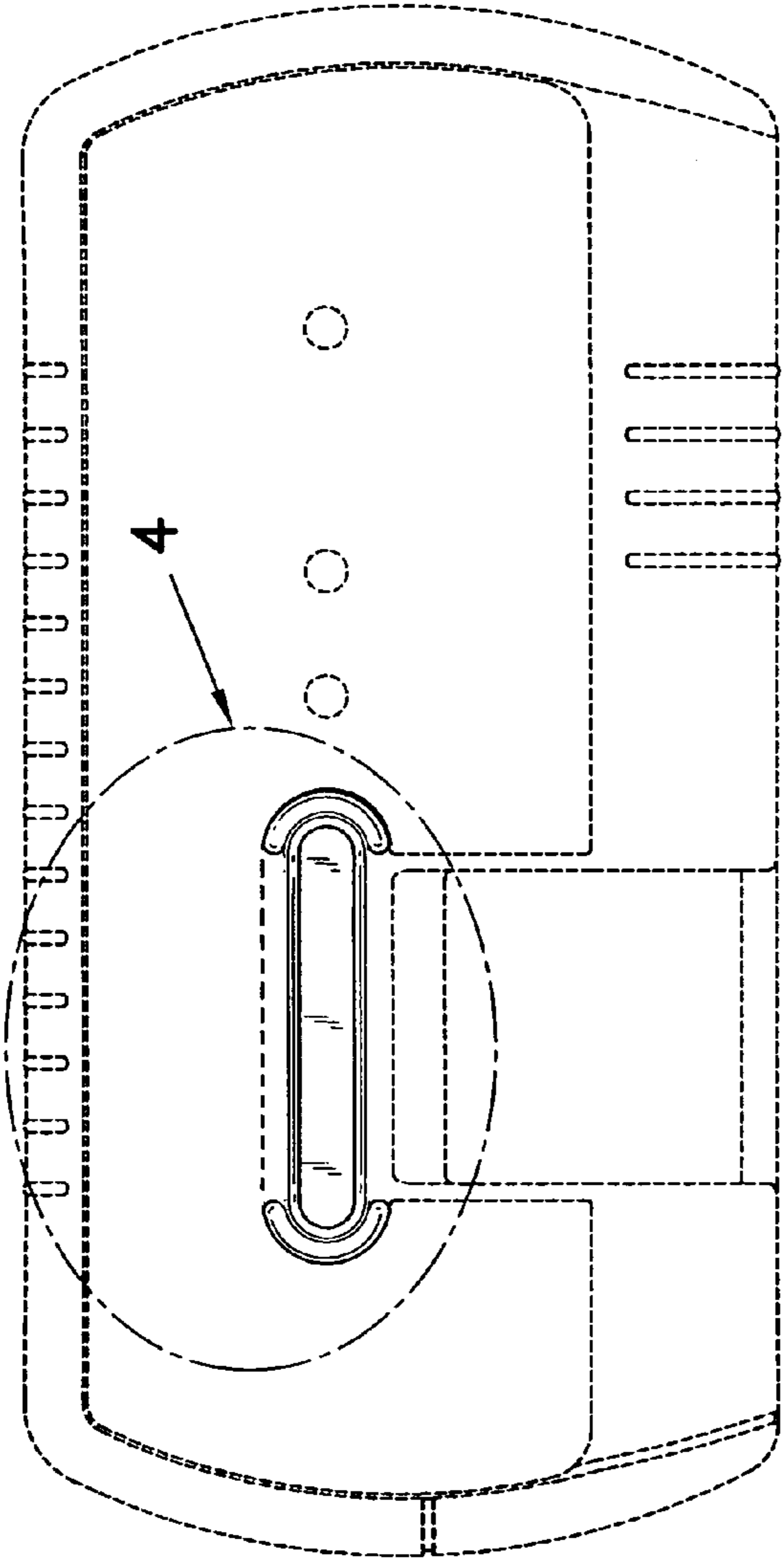
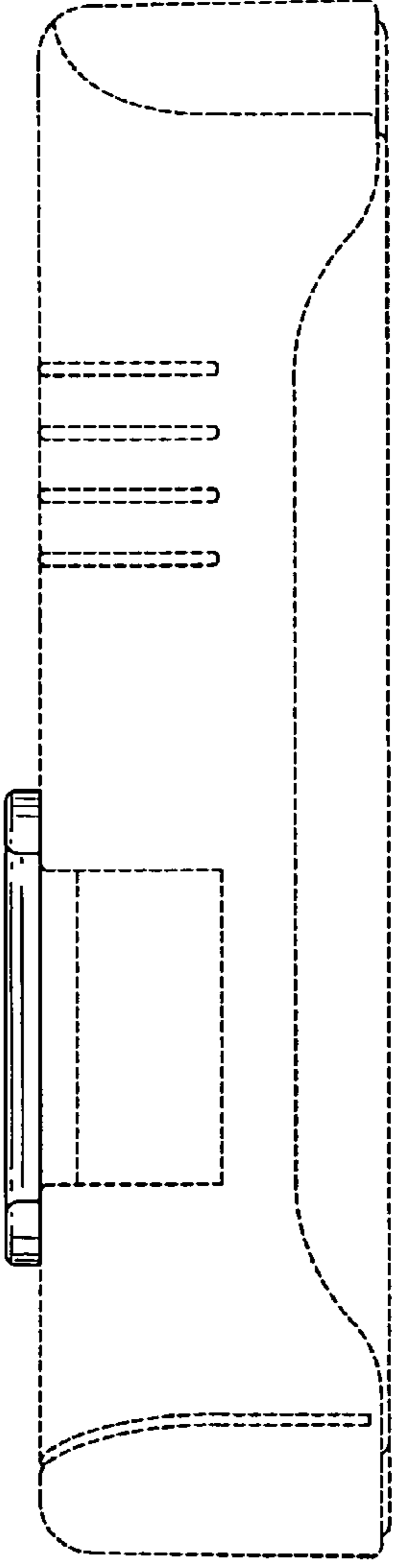


FIG.5



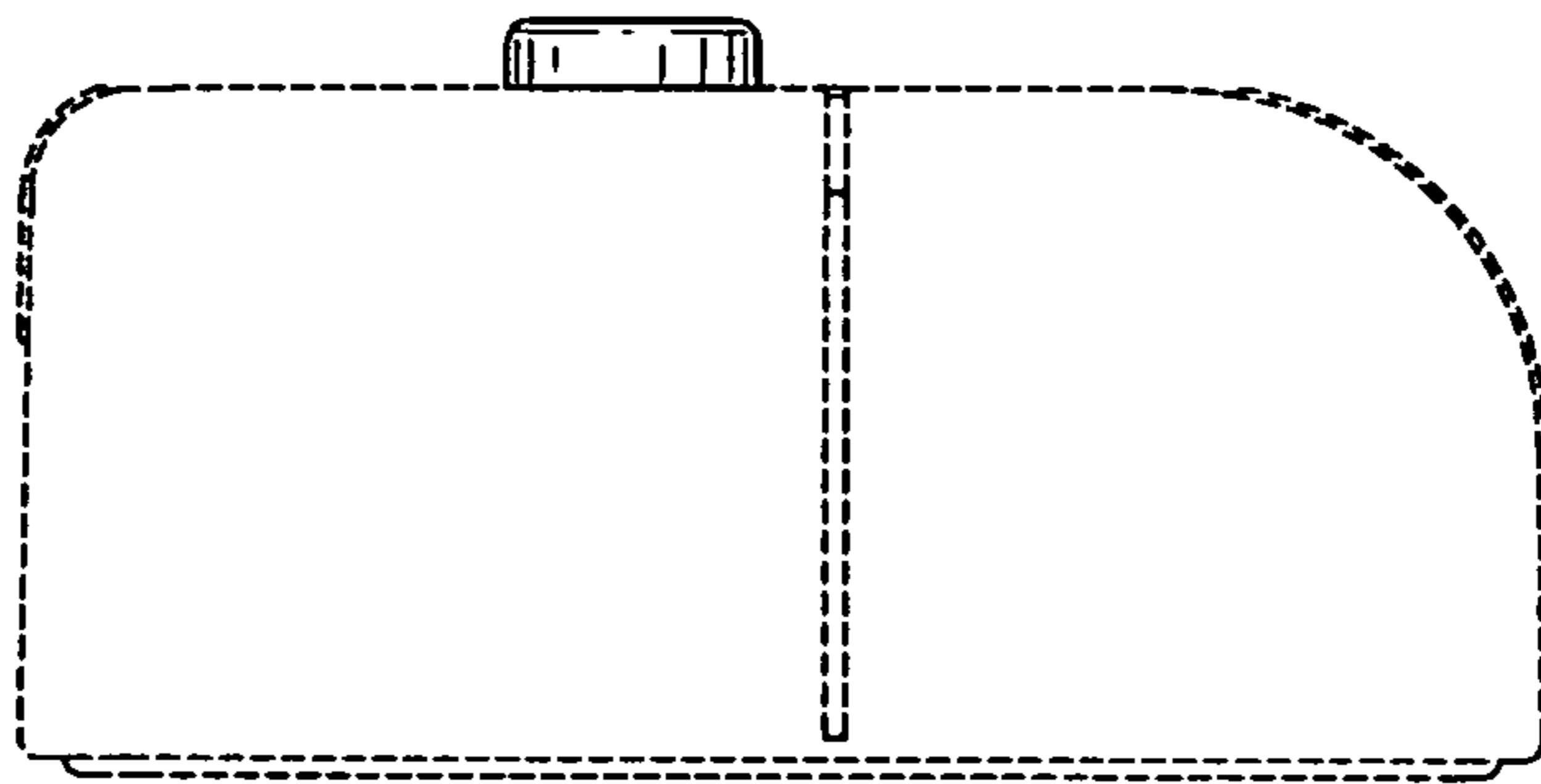


FIG. 6

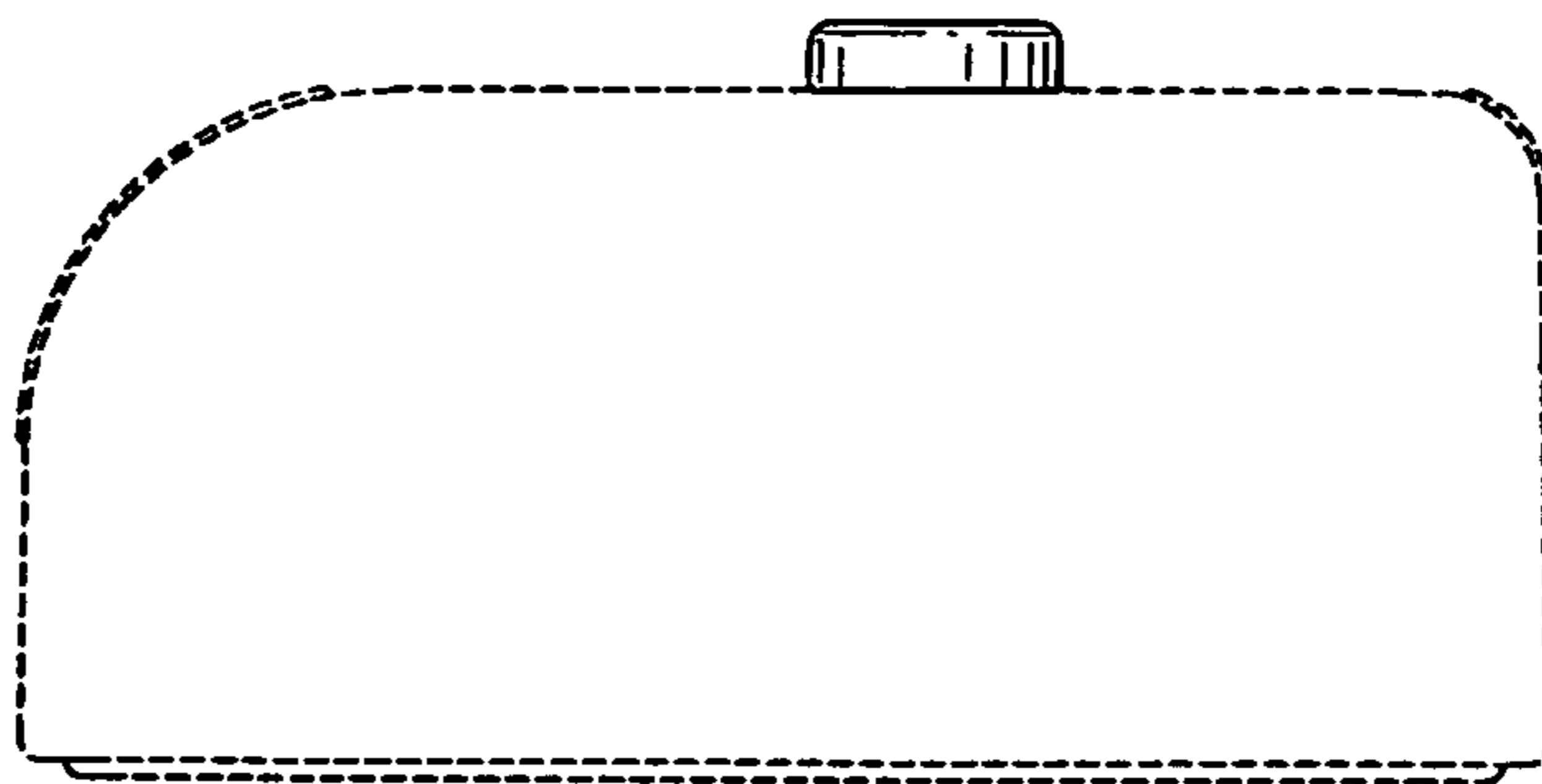


FIG. 7

FIG.8

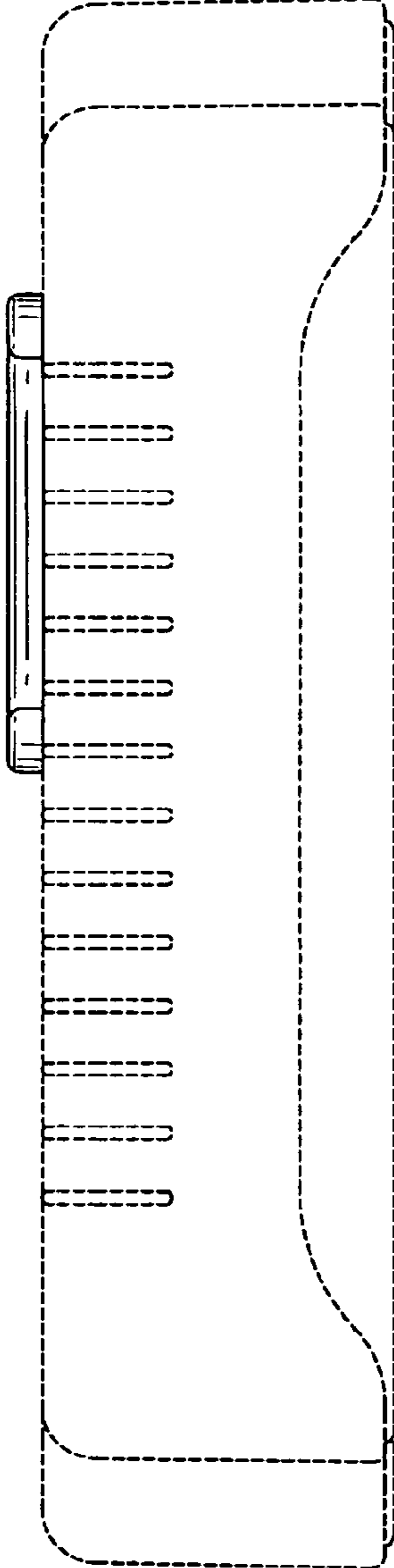


FIG.9

