



US00D684685S

(12) **United States Design Patent**
Schneider et al.

(10) **Patent No.:** **US D684,685 S**
(45) **Date of Patent:** **** Jun. 18, 2013**

(54) **INFUSION DEVICE BUTTON**
(75) Inventors: **Jared Schneider**, Cranston, RI (US);
Mark Joseph Guarraia, Cranston, RI
(US); **Margaux Frances Boyaval**,
Warwick, RI (US); **Ryan James Shafer**,
Whitinsville, MA (US)

(73) Assignee: **Becton, Dickinson and Company**,
Franklin Lakes, NJ (US)

(**) Term: **14 Years**

(21) Appl. No.: **29/418,296**

(22) Filed: **Apr. 13, 2012**

(51) **LOC (9) Cl.** **24-02**

(52) **U.S. Cl.**
USPC **D24/111; D24/108**

(58) **Field of Classification Search**
USPC D24/108, 107, 118, 121, 129, 162,
D24/164, 167, 169, 114, 111; 604/6.09, 180,
604/151, 154, 164.08, 93.01, 153, 141, 54,
604/533, 506, 19, 48; 74/783 PB; 137/636.1;
200/4, 344, 520, 341; 324/429; 715/810;
D14/247, 218; 345/173; D15/7
See application file for complete search history.

(56) **References Cited**

U.S. PATENT DOCUMENTS

3,722,313	A *	3/1973	Schadow	74/483 PB
3,752,191	A *	8/1973	Botnick	137/636.1
3,772,484	A *	11/1973	Roeser	200/4
5,134,259	A *	7/1992	Page, Jr.	200/341
5,426,371	A *	6/1995	Salley et al.	324/429
6,011,227	A *	1/2000	Yoneyama	200/344
6,310,308	B1 *	10/2001	Watson et al.	200/520
D479,325	S	9/2003	Tyce	
D479,598	S	9/2003	Tyce	
D479,746	S	9/2003	Tyce	
6,987,233	B2 *	1/2006	Cole et al.	200/341
D596,629	S *	7/2009	Matsuoka	D14/247
D609,225	S *	2/2010	Montin et al.	D14/247

8,172,803	B2	5/2012	Morrissey et al.	
8,221,359	B2	7/2012	Kristensen et al.	
8,262,618	B2	9/2012	Scheurer	
2007/0192738	A1 *	8/2007	Lee	715/810
2009/0240240	A1	9/2009	Hines et al.	
2012/0010562	A1 *	1/2012	Hill et al.	604/66

OTHER PUBLICATIONS

U.S. Appl. No. 29/405,929, filed Nov. 8, 2011.
U.S. Appl. No. 29/405,933, filed Nov. 8, 2011.
U.S. Appl. No. 29/405,946, filed Nov. 8, 2011.

* cited by examiner

Primary Examiner — Ian Simmons

Assistant Examiner — E. H. Aldridge

(74) *Attorney, Agent, or Firm* — Roylance, Abrams, Berdo
and Goodman, LLP

(57) **CLAIM**

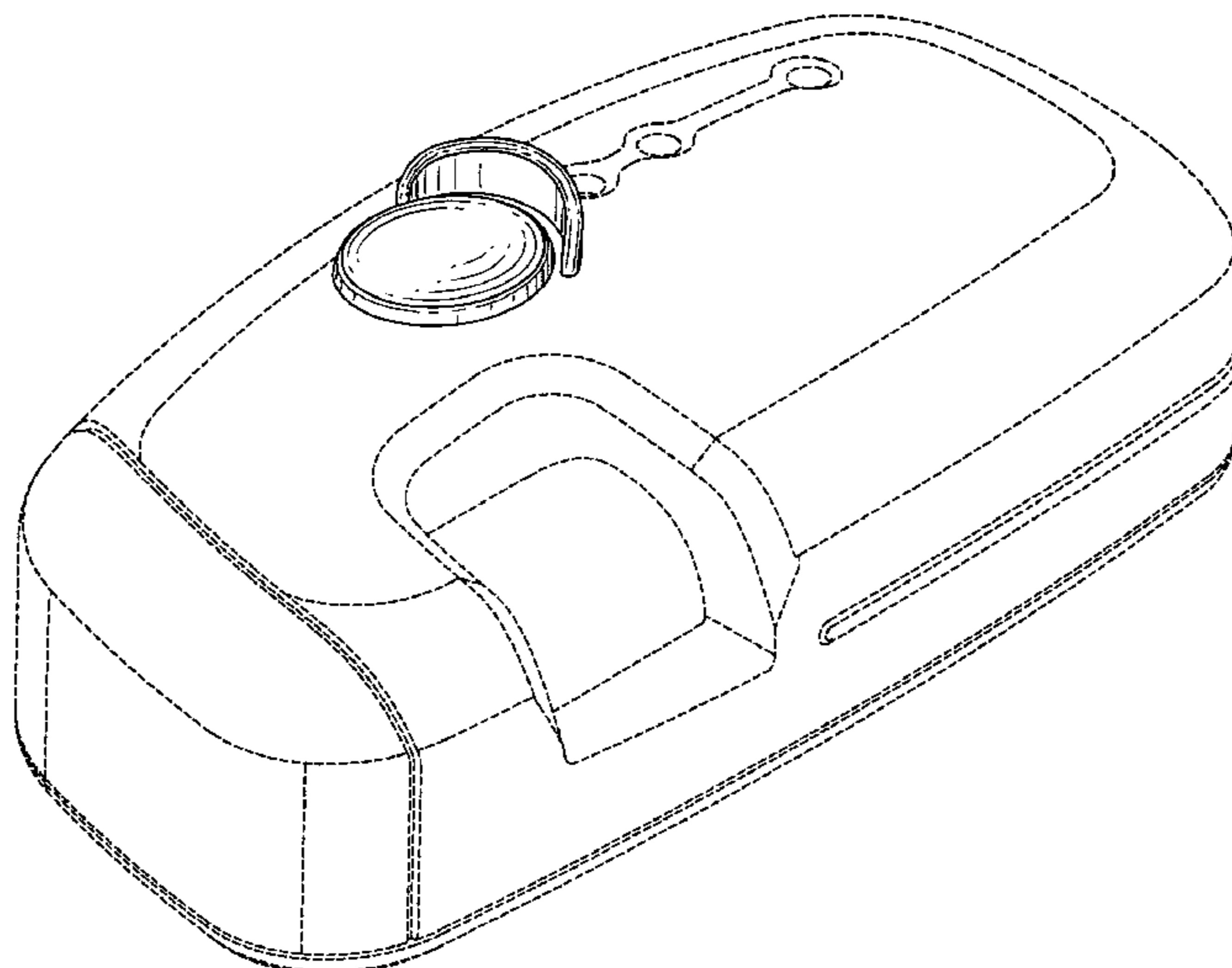
The ornamental design for an infusion device button, as
shown and described.

DESCRIPTION

FIG. 1 is a perspective view of an embodiment of an infusion
device button showing our new design;
FIG. 2 is a top view of the infusion device button shown in
FIG. 1;
FIG. 3 is a left side elevational view of the infusion device
button shown in FIG. 1;
FIG. 4 is a front elevational view of the infusion device button
shown in FIG. 1;
FIG. 5 is a rear elevational view of the infusion device button
shown in FIG. 1;
FIG. 6 is a right side elevational view of the infusion device
button shown in FIG. 1; and,
FIG. 7 is a bottom view of the infusion device button shown
in FIG. 1.

Broken lines in the drawing figures represent unclaimed envi-
ronmental structure, are for illustrative purposes only, and
form no part of the claimed design.

1 Claim, 4 Drawing Sheets



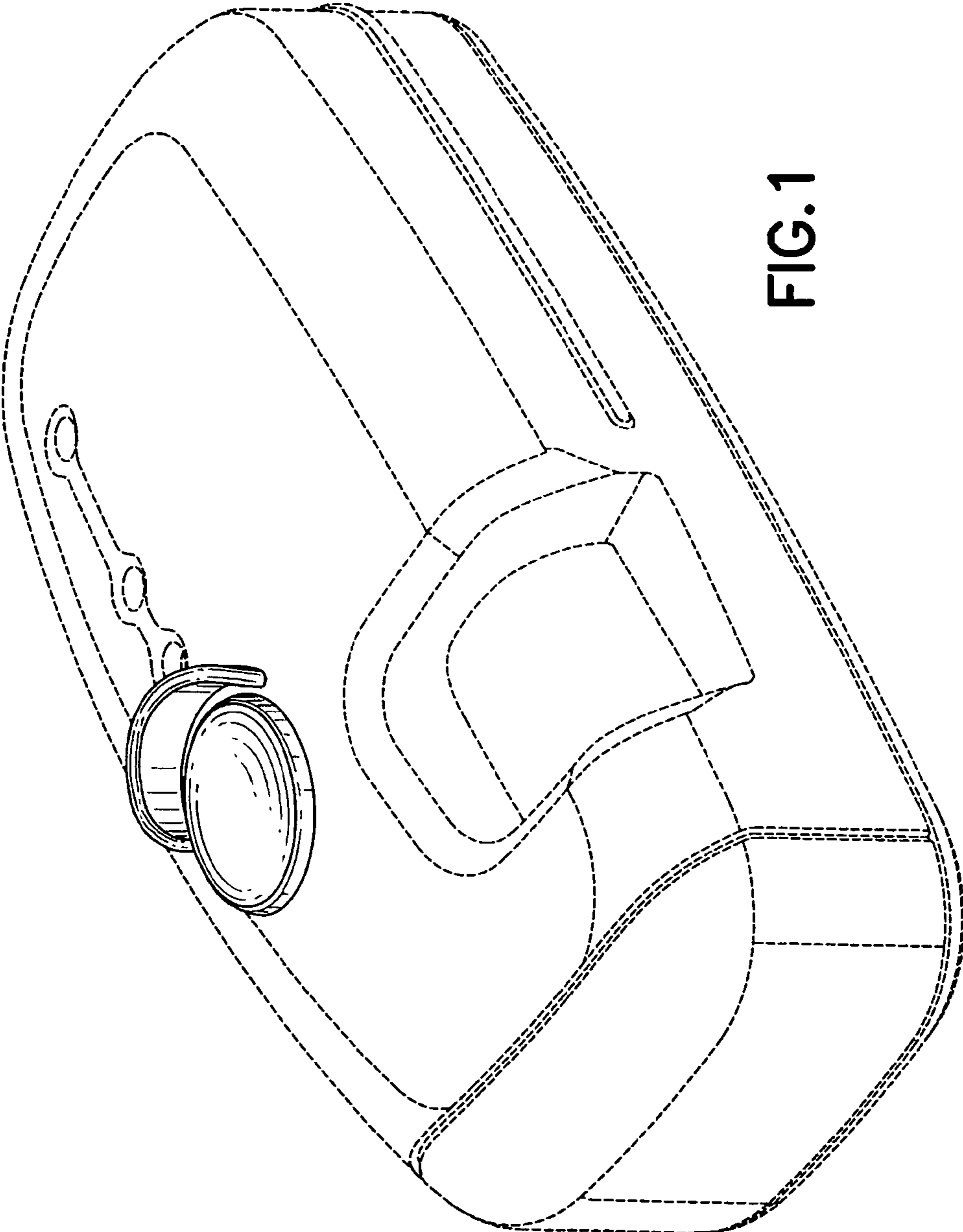


FIG. 1

FIG.2

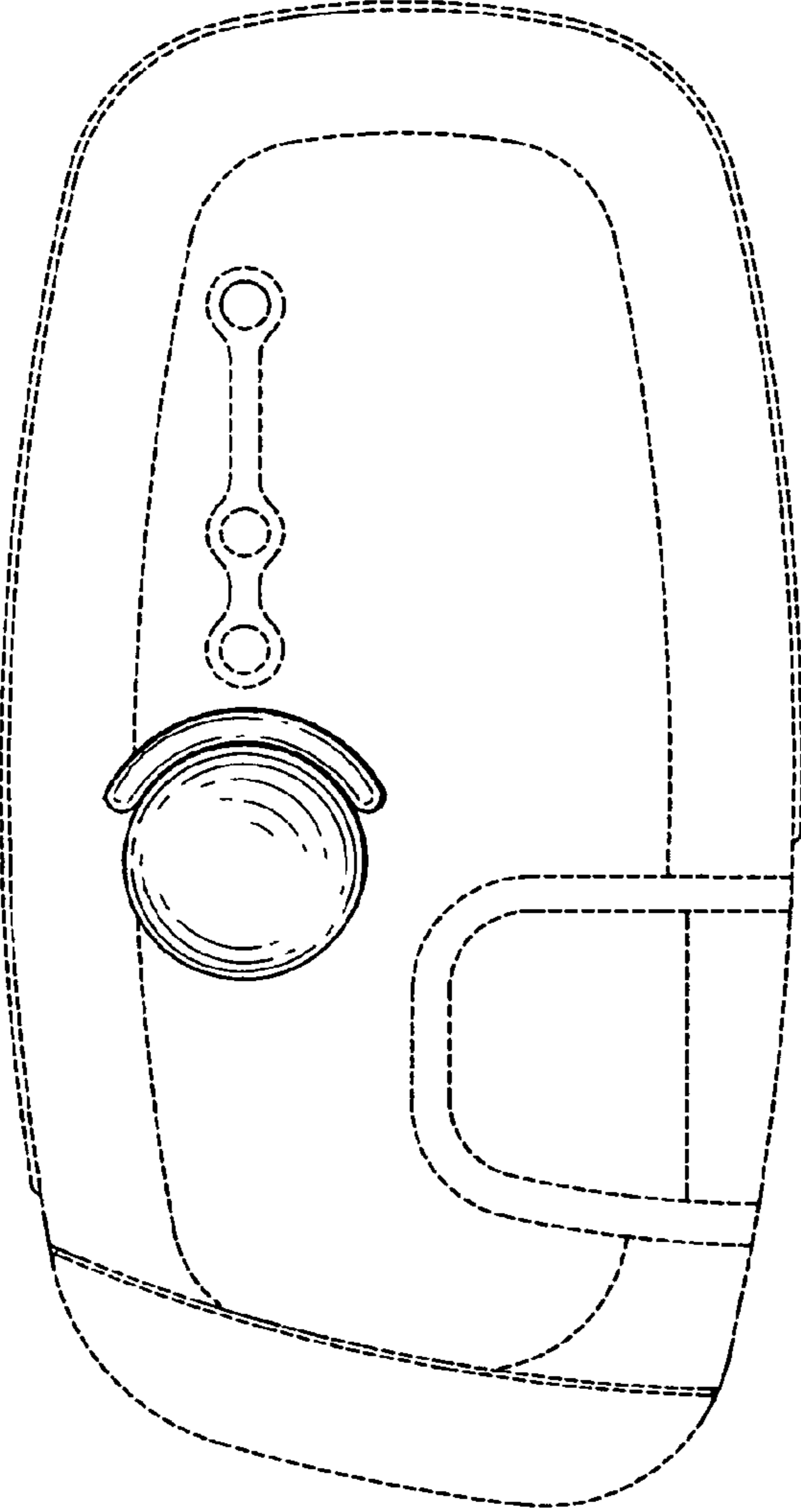
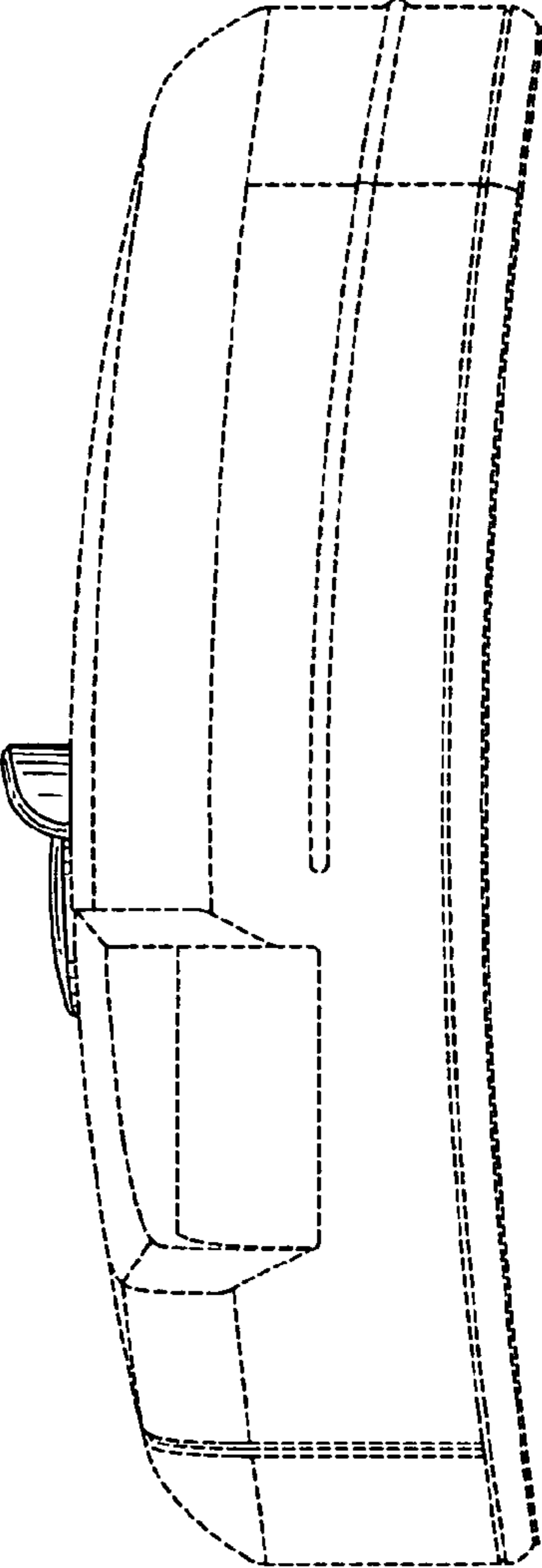


FIG.3



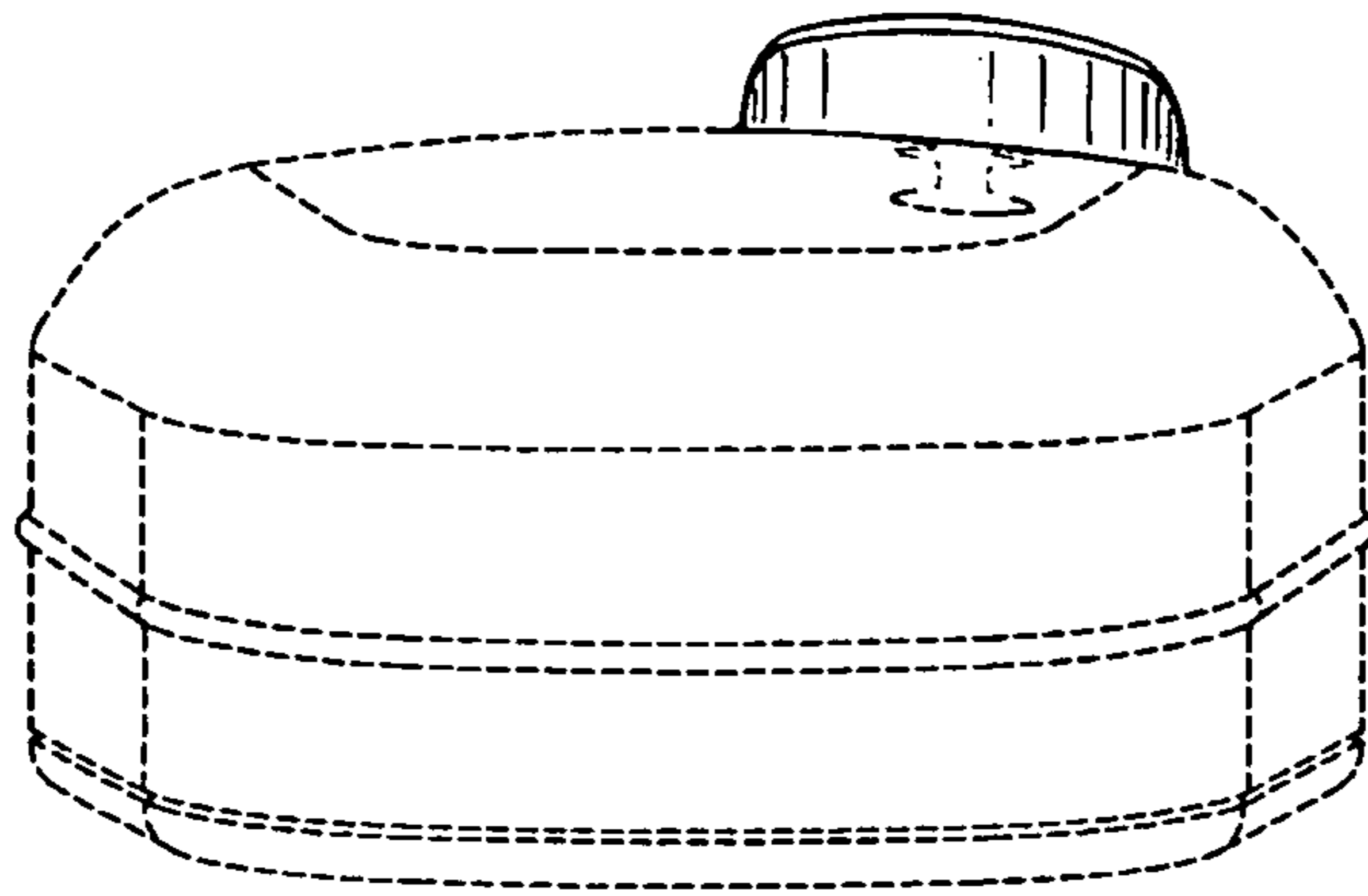


FIG. 4

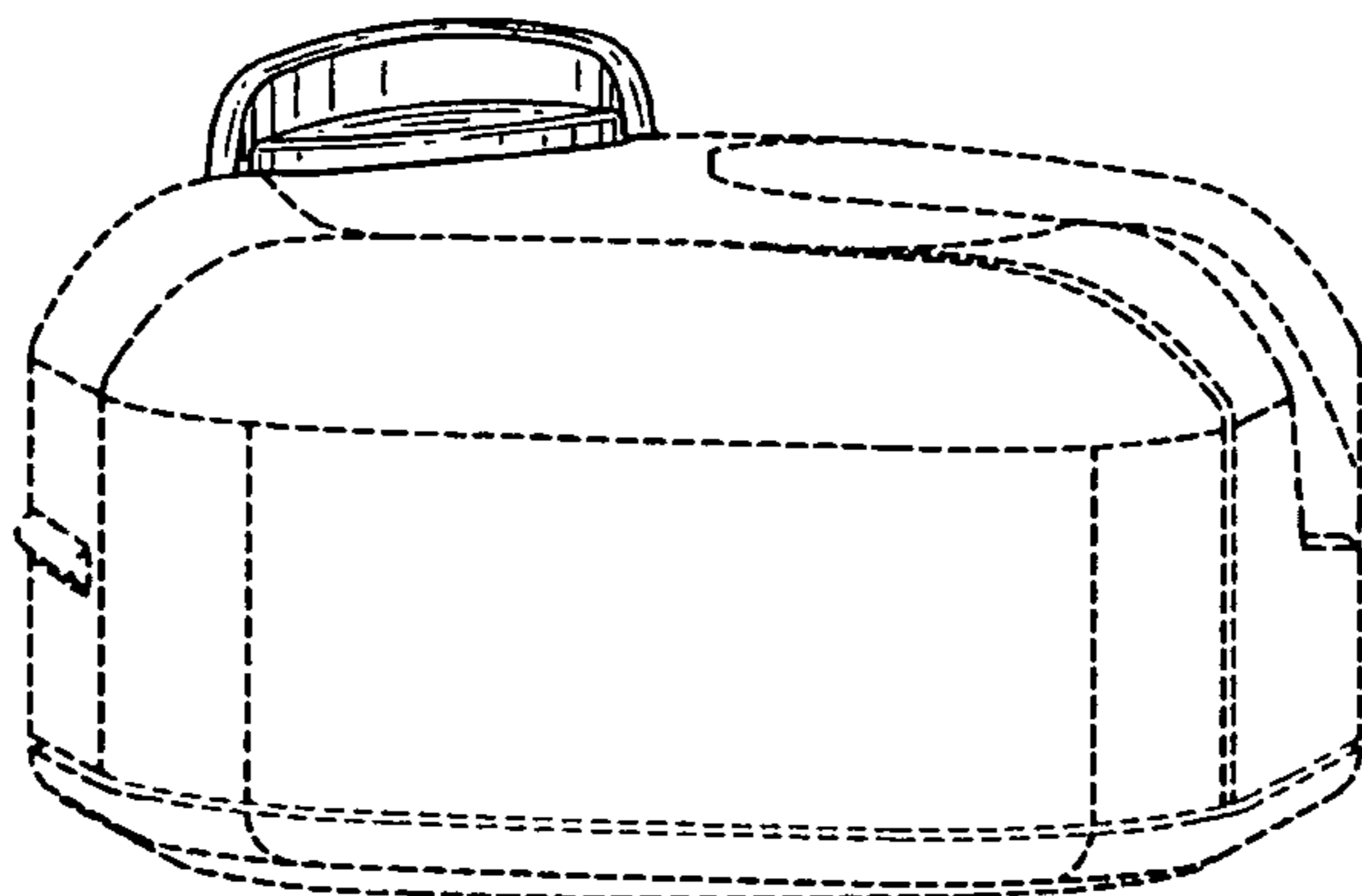


FIG. 5

FIG. 6

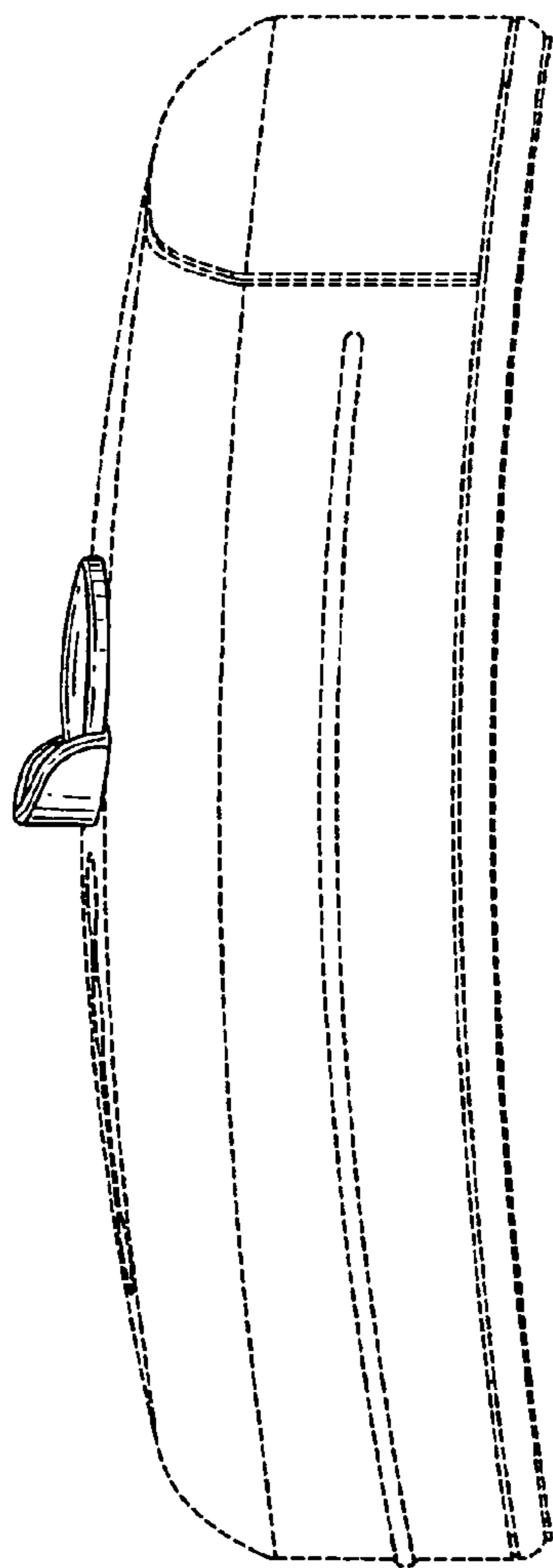


FIG. 7

