



US00D684683S

(12) **United States Design Patent**
Curti et al.

(10) **Patent No.:** **US D684,683 S**
(45) **Date of Patent:** **** Jun. 18, 2013**

(54) **MASK STRAP CUSHION**

(75) Inventors: **James N. Curti**, Bakersfield, CA (US);
Walter R. Van Horn, Lancaster, CA
(US); **Stephen Mark Higgins**,
Carrollton, TX (US)

(73) Assignee: **Salter Labs**, Arvin, CA (US)

(**) Term: **14 Years**

(21) Appl. No.: **29/377,603**

(22) Filed: **Oct. 22, 2010**

(51) **LOC (9) Cl.** **29-02**

(52) **U.S. Cl.**
USPC **D24/110**

(58) **Field of Classification Search**
USPC D24/110-110.6; D2/865-894, 639;
2/209.13, 12, 13, 181, 207; 297/482; D3/327
See application file for complete search history.

(56) **References Cited**

U.S. PATENT DOCUMENTS

| | | | | | |
|-----------|------|---------|------------------|-------|----------|
| 3,306,662 | A * | 2/1967 | Finnigan | | 297/482 |
| 3,957,282 | A * | 5/1976 | Finnigan | | 297/482 |
| 4,678,205 | A * | 7/1987 | Wold | | 280/808 |
| 4,741,574 | A * | 5/1988 | Weightman et al. | | 297/482 |
| 5,546,605 | A * | 8/1996 | Mallardi | | 2/209.13 |
| 5,566,871 | A * | 10/1996 | Weintraub | | 224/264 |
| 5,584,536 | A * | 12/1996 | White | | 297/482 |
| D396,938 | S * | 8/1998 | Bugatti | | D2/639 |
| 5,911,479 | A * | 6/1999 | Atkinson | | 297/482 |
| 6,052,823 | A * | 4/2000 | Wilks | | 2/13 |
| 6,546,563 | B2 * | 4/2003 | Young | | 2/181 |
| D521,240 | S * | 5/2006 | Yoshiguchi | | D3/327 |
| D653,746 | S * | 2/2012 | Gibson et al. | | D24/110 |

| | | | | | |
|--------------|------|---------|-------------|-------|------------|
| D660,413 | S * | 5/2012 | Hill et al. | | D24/110.1 |
| 2001/0042261 | A1 * | 11/2001 | Bean | | 2/209.13 |
| 2002/0152539 | A1 * | 10/2002 | Christian | | 2/209.13 |
| 2004/0093655 | A1 * | 5/2004 | Cho | | 2/12 |
| 2010/0258132 | A1 * | 10/2010 | Moore | | 128/207.11 |

* cited by examiner

Primary Examiner — Richard E Chilcot

(74) *Attorney, Agent, or Firm* — David & Bujold, PLLC

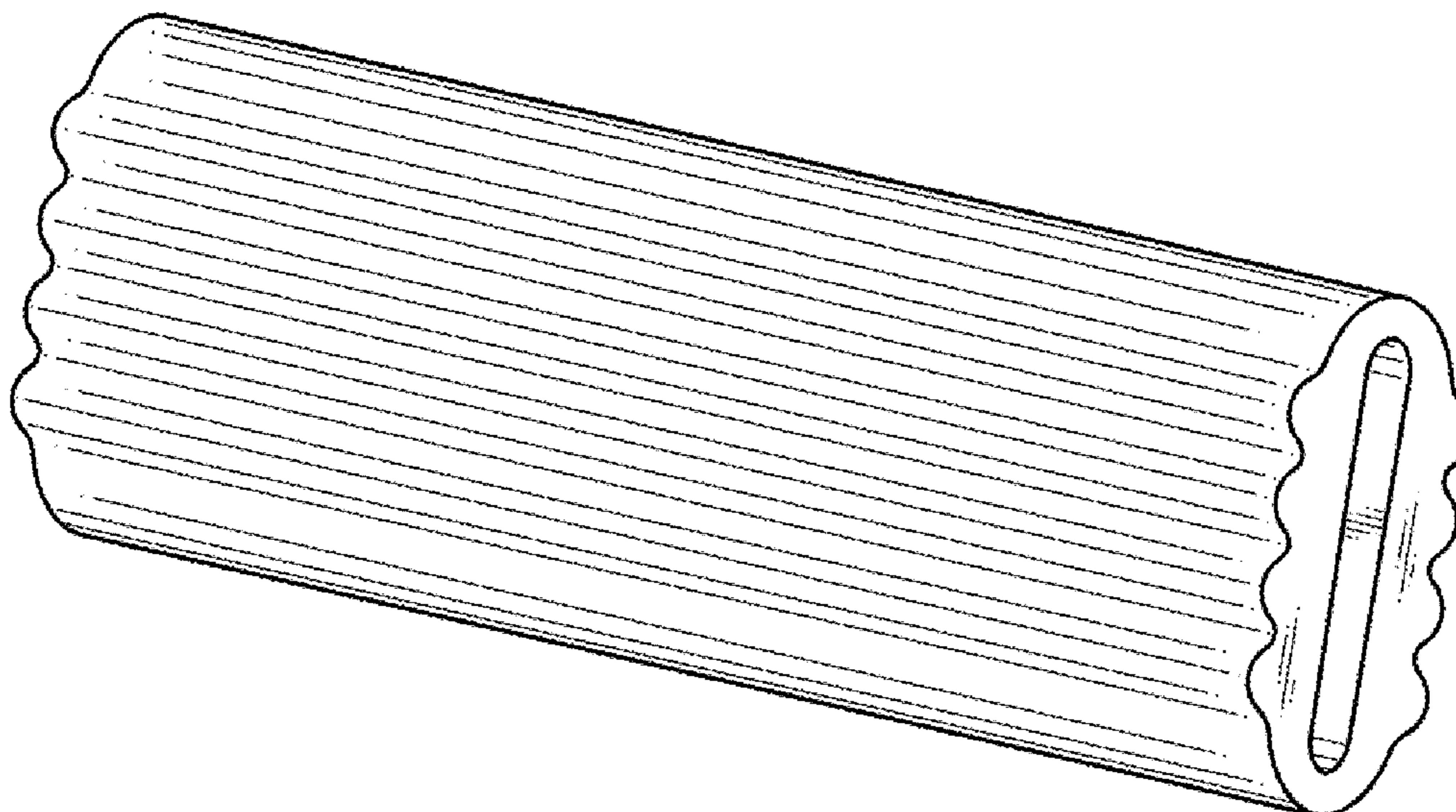
(57) **CLAIM**

We claim the ornamental design for a mask strap cushion, as shown and described.

DESCRIPTION

FIG. 1 is a perspective view of a mask strap cushion embodying our new design having an indefinite length;
 FIG. 2 is a front elevational view of FIG. 1;
 FIG. 3 is a top plan view of FIG. 1, and the bottom plan view being a mirror image thereof;
 FIG. 4 is a rear elevational view of FIG. 1;
 FIG. 5 is a left side elevational view of FIG. 1;
 FIG. 6 is a right side elevational view of FIG. 1;
 FIG. 7 is a perspective view showing a variation of the mask strap cushion embodying our new design having an indefinite length;
 FIG. 8 is a front elevational view of FIG. 7;
 FIG. 9 is a top plan view of FIG. 7, and the bottom plan view being a mirror image thereof;
 FIG. 10 is a rear elevational view of FIG. 7;
 FIG. 11 is a left side elevational view of FIG. 7; and,
 FIG. 12 is a right side elevational view of FIG. 7.
 The broken lines illustrate environmental structure that form no part of the claimed designed.

1 Claim, 2 Drawing Sheets



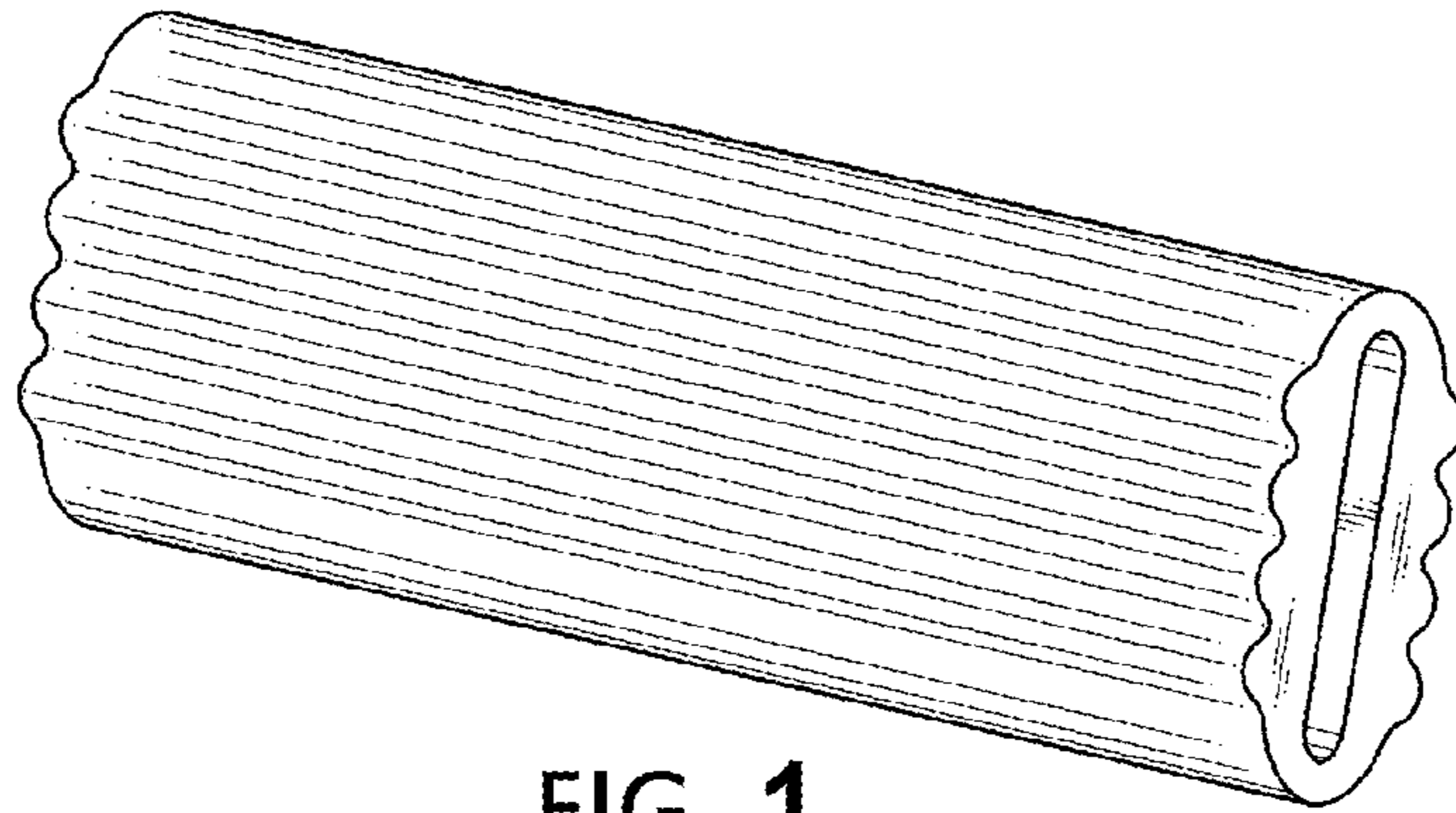


FIG. 1

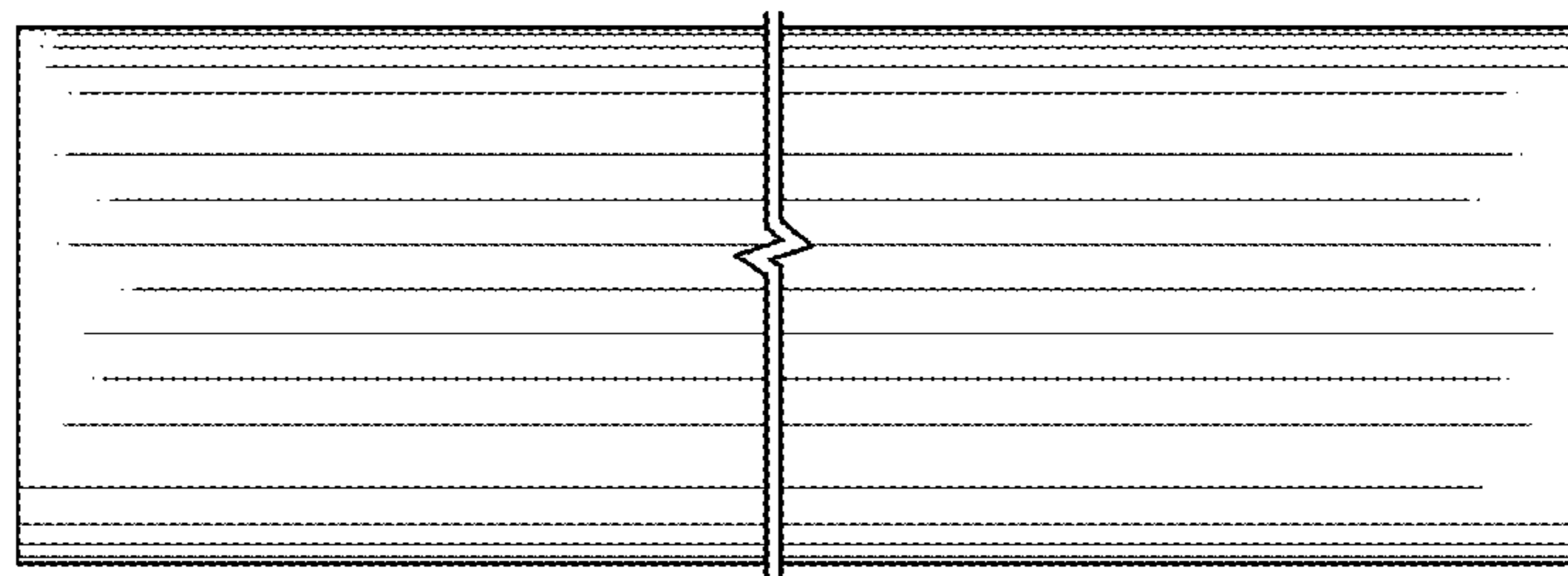


FIG. 4

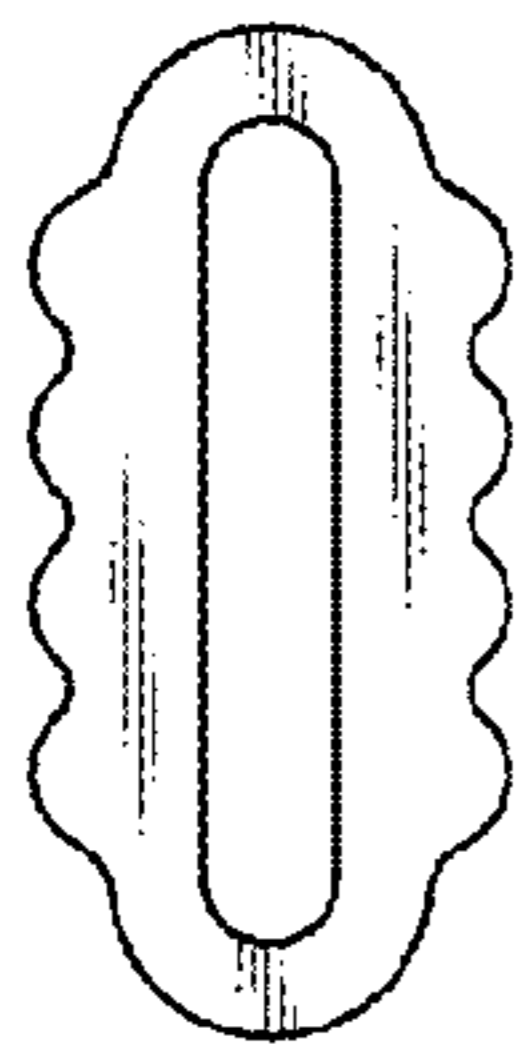


FIG. 5

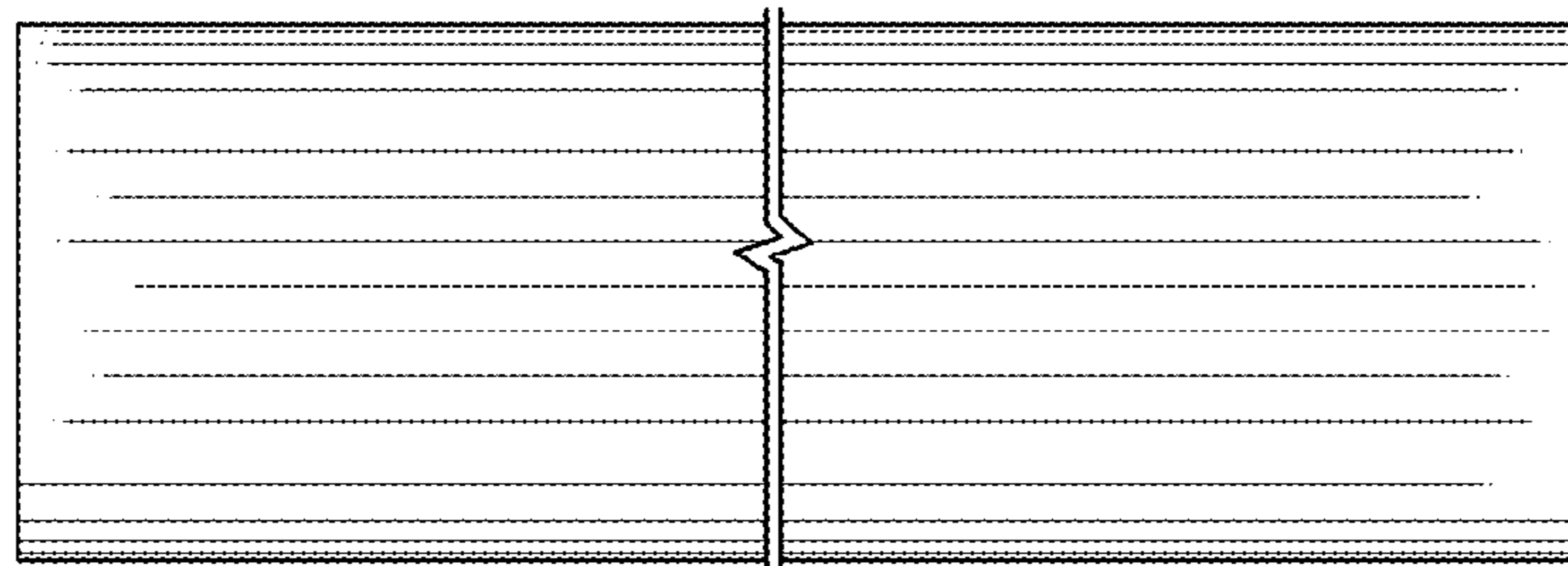


FIG. 2

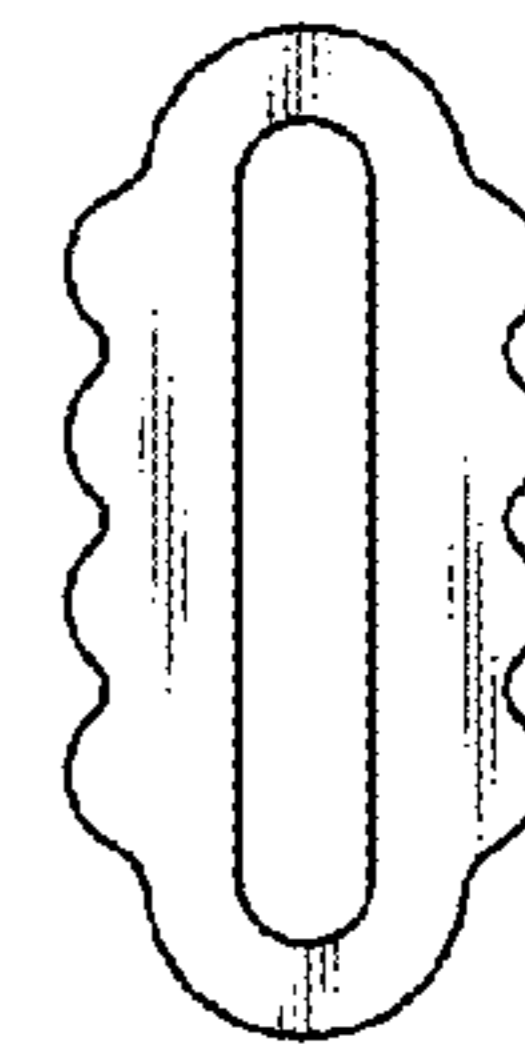


FIG. 6

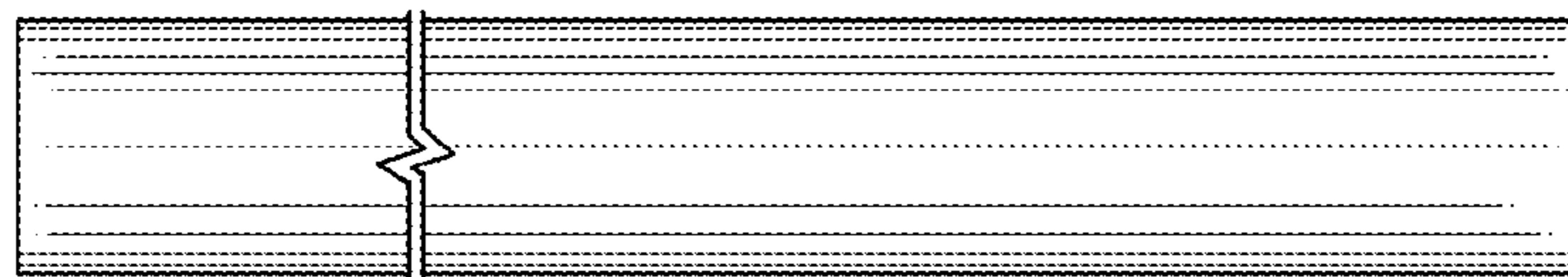


FIG. 3

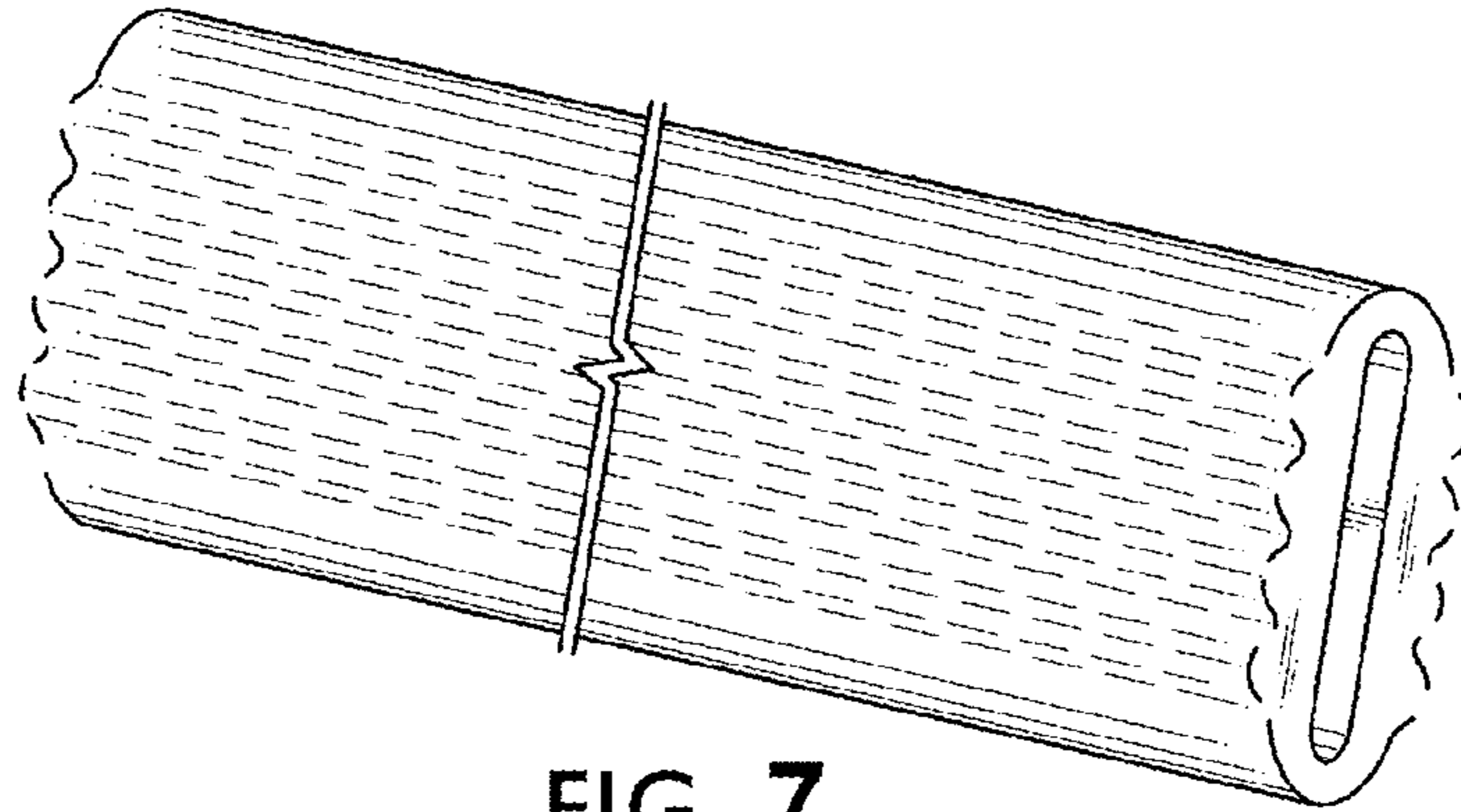


FIG. 7

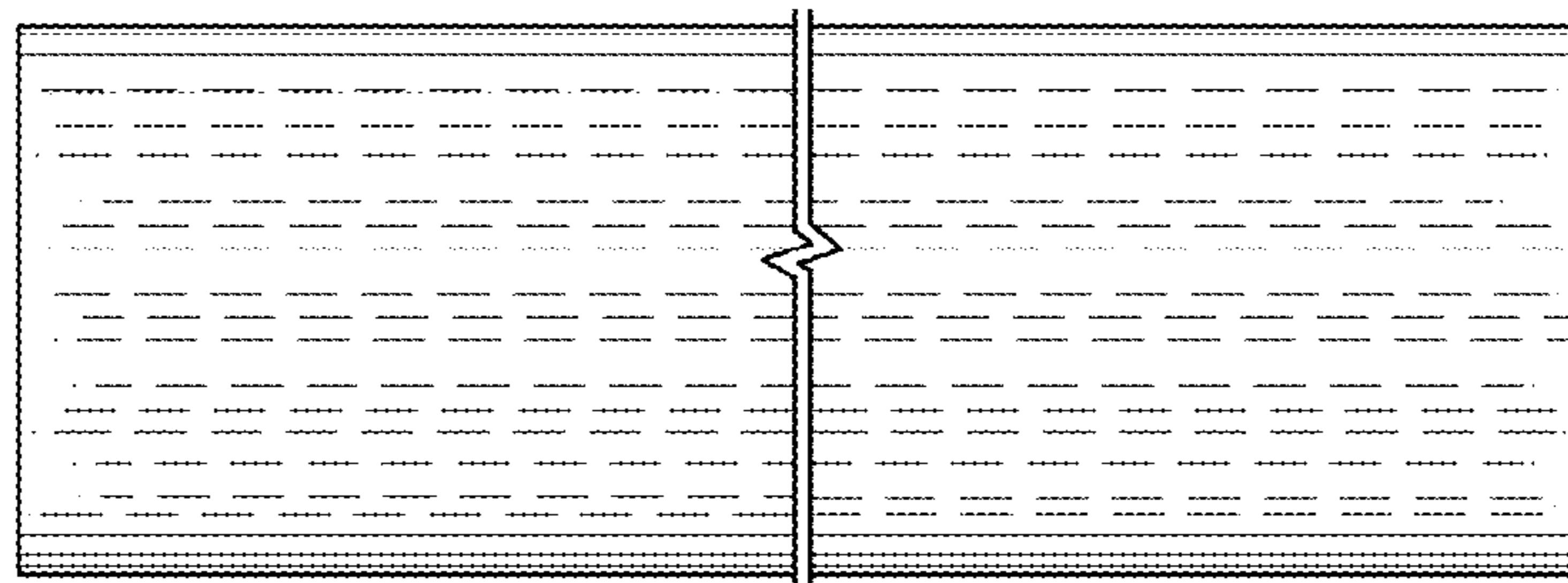


FIG. 10

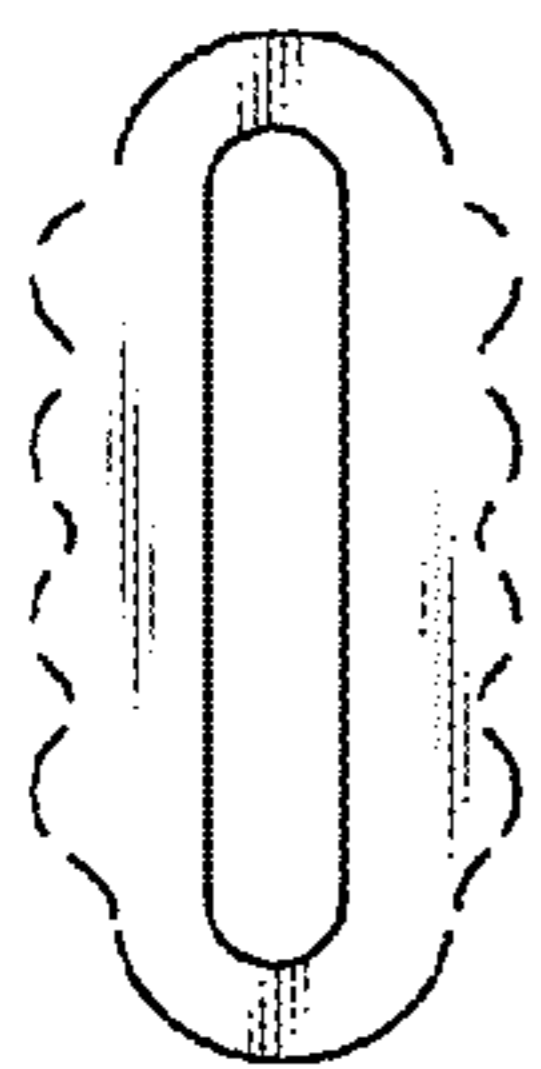


FIG. 11

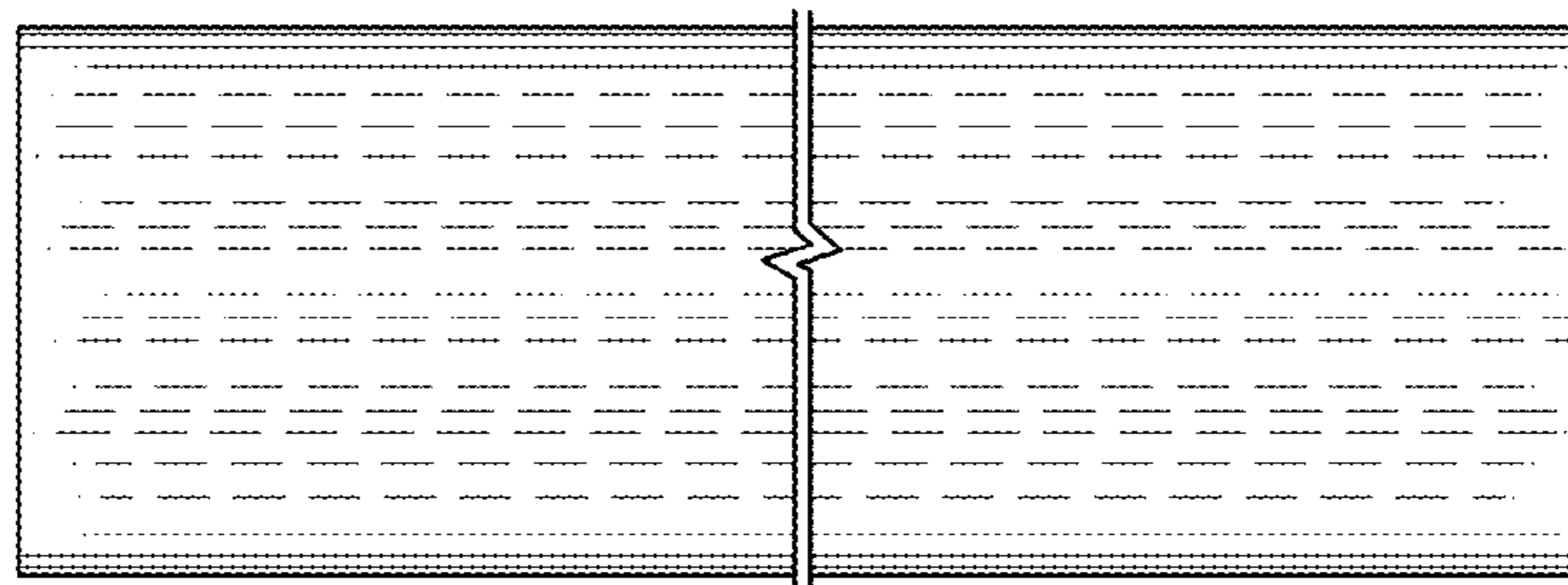


FIG. 8

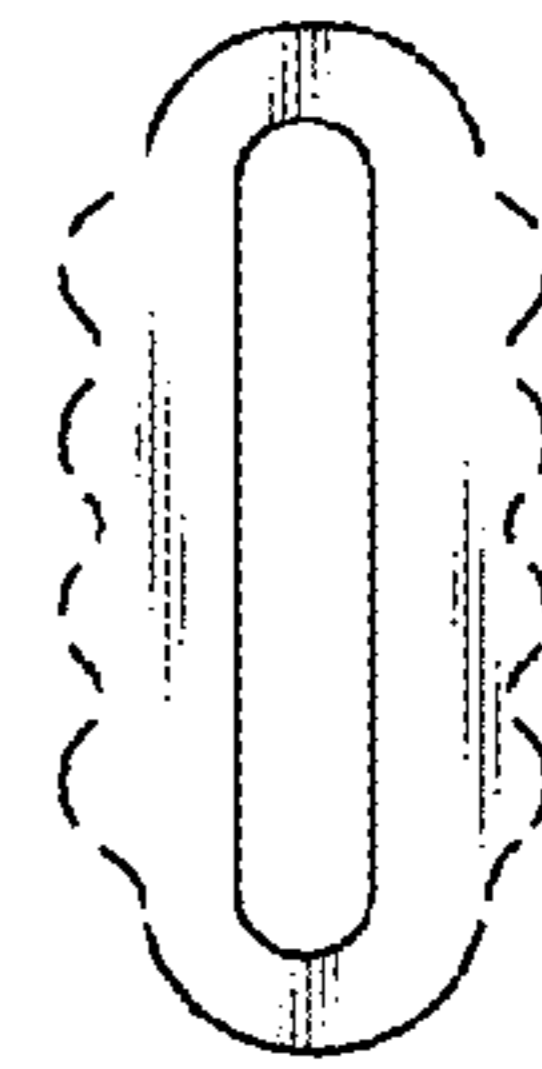


FIG. 12

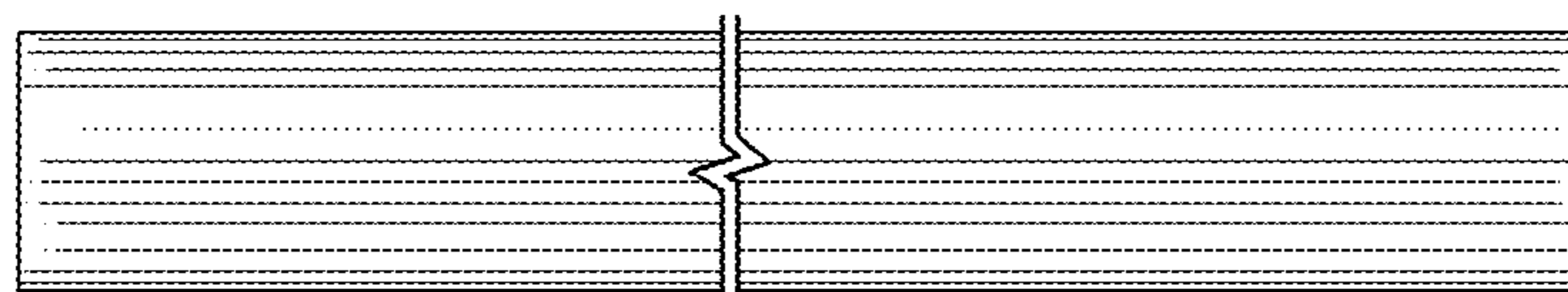


FIG. 9