



US00D684682S

(12) **United States Design Patent**  
**Kovash et al.**

(10) **Patent No.:** **US D684,682 S**  
(45) **Date of Patent:** **\*\* Jun. 18, 2013**

- (54) **FLARE STACK BURNER HAVING SPHERICAL VALVE**
- (71) Applicant: **Steffes Corporation**, Dickinson, ND (US)
- (72) Inventors: **Dean A. Kovash**, Manning, ND (US); **Todd C. Mayer**, Dickinson, ND (US)
- (73) Assignee: **Steffes Corporation**, Dickinson, ND (US)
- (\*\*) Term: **14 Years**
- (21) Appl. No.: **29/421,989**
- (22) Filed: **Oct. 4, 2012**

**Related U.S. Application Data**

- (62) Division of application No. 29/413,290, filed on Feb. 14, 2012, now Pat. No. Des. 671,204.
- (51) **LOC (9) Cl.** ..... **23-03**
- (52) **U.S. Cl.**  
USPC ..... **D23/415**
- (58) **Field of Classification Search**  
USPC ..... D23/403–406, 415–419, 421, 422, D23/499, 343–345, 347, 349, 386; D7/402, D7/407, 408, 416, 417; 40/798; 44/520, 530; 52/36.3; 126/25 B, 298, 500, 512, 540, 543, 126/544, 548, 555; 160/DIG. 9; 431/36, 208, 431/263, 273, 329  
See application file for complete search history.

**References Cited**

**U.S. PATENT DOCUMENTS**

- 2,483,437 A \* 10/1949 Rizer ..... 431/129
- 2,746,061 A \* 5/1956 Bennett ..... 4/412
- 3,192,900 A \* 7/1965 Lippke ..... 119/14.08
- 3,506,240 A \* 4/1970 Modrin ..... 251/315.12

- 3,749,546 A 7/1973 Reed et al.
- 3,833,337 A 9/1974 Desty et al.
- 3,860,972 A \* 1/1975 Costello ..... 4/397
- 3,915,622 A 10/1975 Desty et al.
- 3,972,076 A \* 8/1976 Martini ..... 4/345
- 4,021,189 A 5/1977 Swann et al.
- 4,073,613 A 2/1978 Desty
- 4,634,372 A 1/1987 Allum et al.
- 5,277,248 A \* 1/1994 Breland ..... 166/70
- 5,389,080 A \* 2/1995 Yoon ..... 604/167.03
- 6,616,062 B2 \* 9/2003 Boecking ..... 239/96
- 6,708,946 B1 \* 3/2004 Edwards et al. .... 251/58
- 6,960,075 B2 \* 11/2005 Rajewski ..... 431/202
- 7,328,680 B1 \* 2/2008 Diamond ..... 123/190.14
- D640,363 S \* 6/2011 Cook ..... D23/403
- 8,118,783 B2 \* 2/2012 Smith ..... 604/164.04
- D671,204 S 11/2012 Kovash et al.
- 2002/0074423 A1 \* 6/2002 Boecking ..... 239/88

(Continued)

**OTHER PUBLICATIONS**

Non-final Office Action from related Design U.S. Appl. No. 29/413,290, mailed Apr. 25, 2012.

*Primary Examiner* — Karen S Acker

(74) *Attorney, Agent, or Firm* — Westman, Champlin & Kelly, P.A.

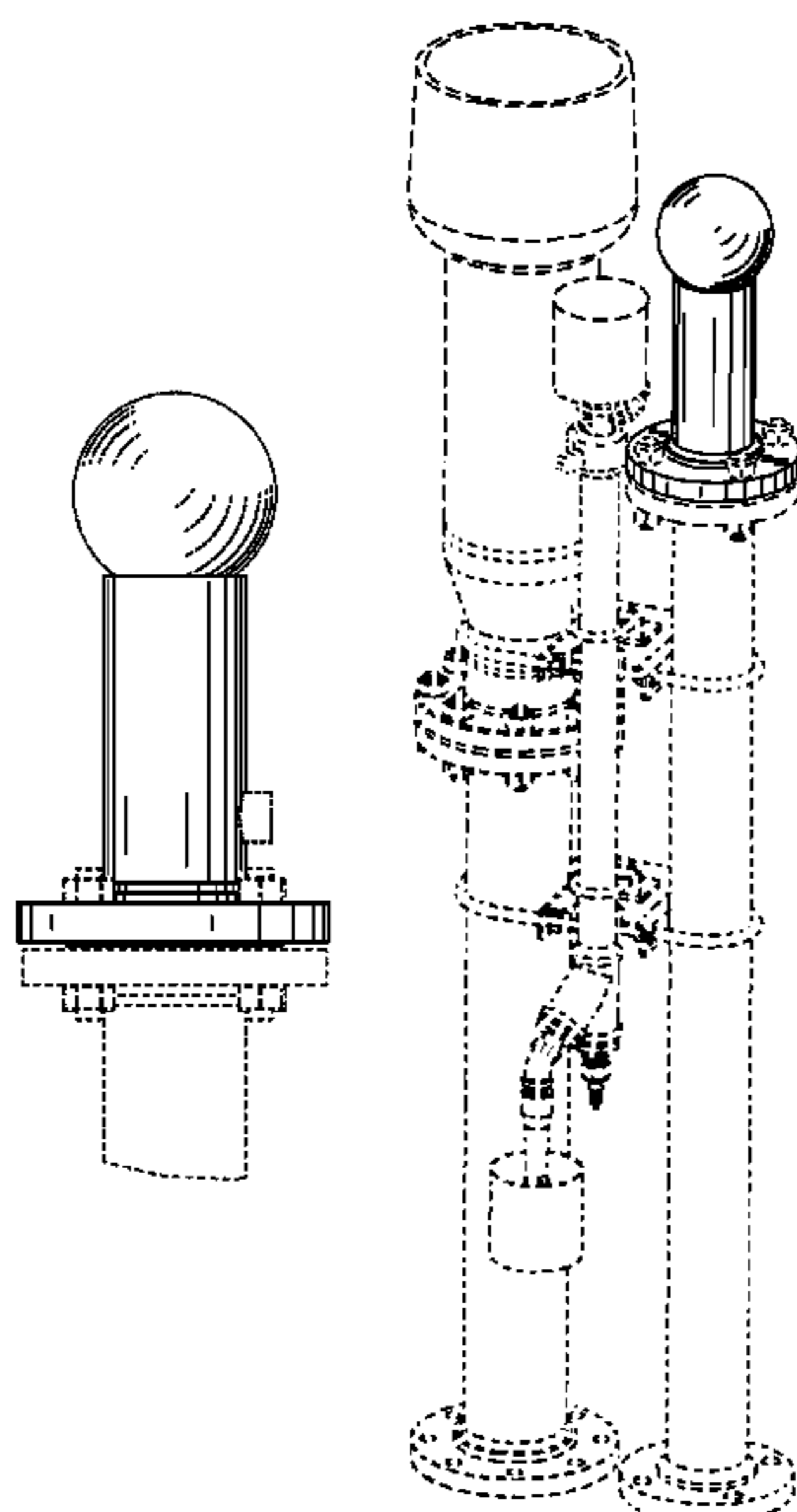
(57) **CLAIM**

The ornamental design for a flare stack burner having spherical valve, as shown and described.

**DESCRIPTION**

FIG. 1 is a front elevational view.  
FIG. 2 is a top plan view thereof; and,  
FIG. 3 is a perspective of the flare stack burner having spherical valve of FIG. 1.  
The broken lines in the drawing represent portions of the flare stack burner having spherical valve and environmental subject matter that form no part of the claim.

**1 Claim, 2 Drawing Sheets**



# US D684,682 S

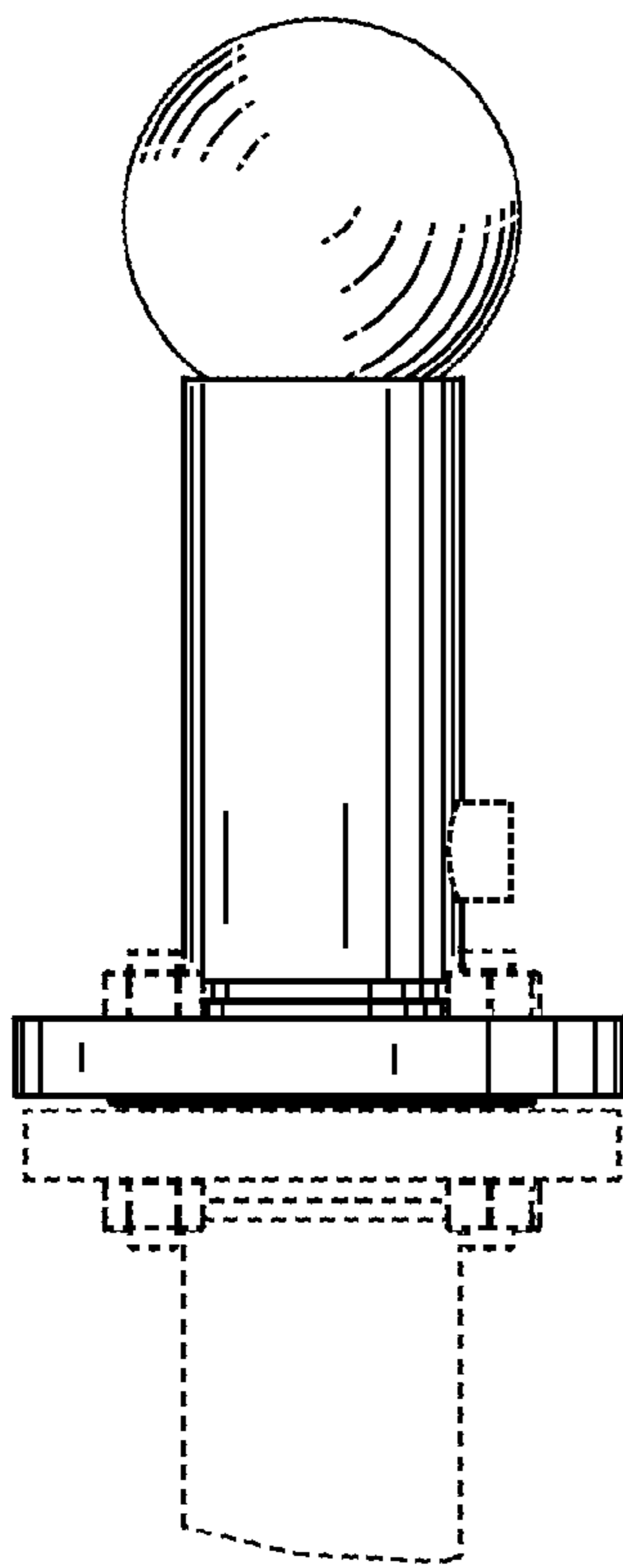
Page 2

---

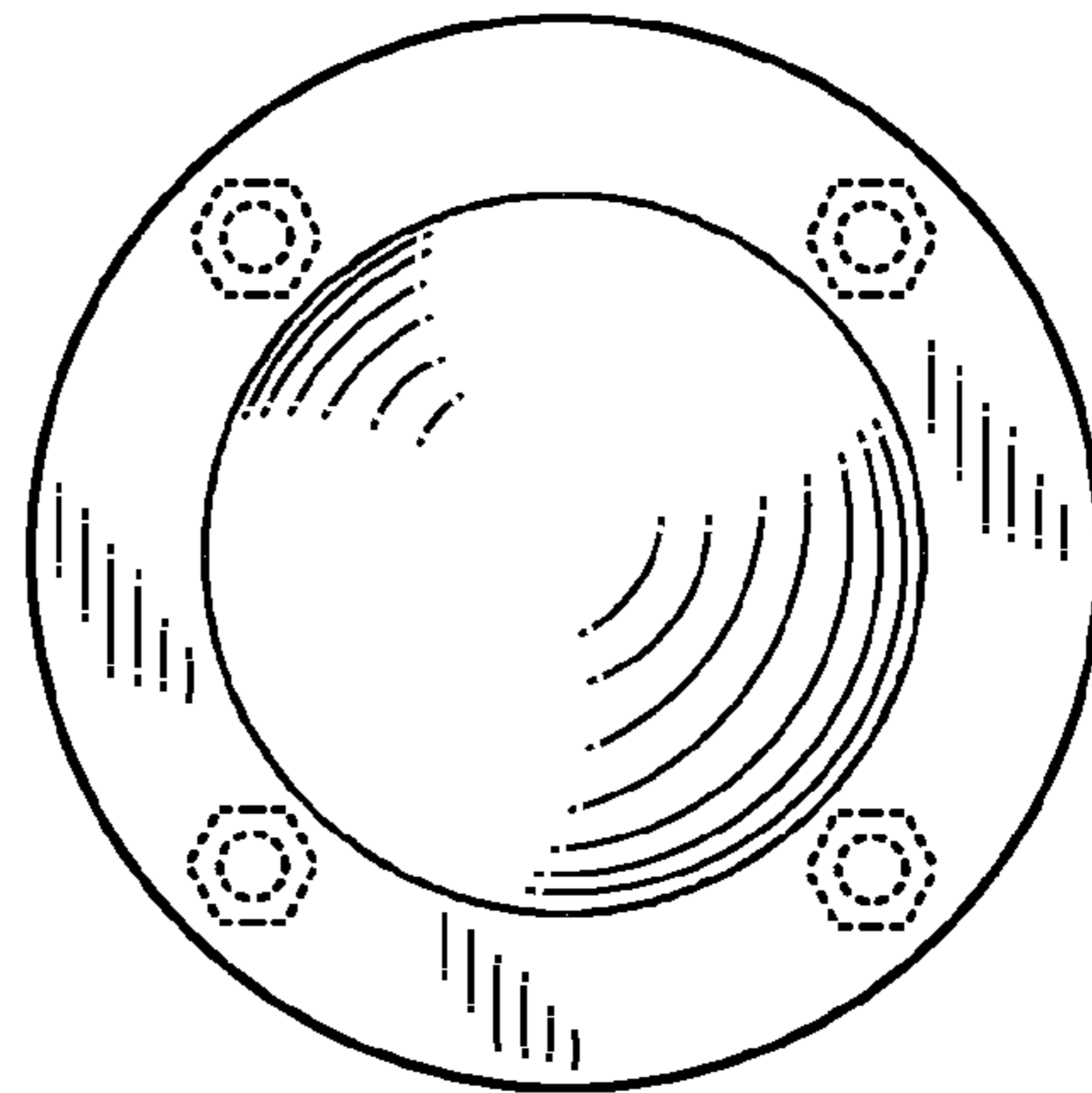
## U.S. PATENT DOCUMENTS

2006/0217666	A1*	9/2006	Wenchell .....	604/167.03	2012/0276488	A1*	11/2012	Virag et al. ....	431/278
2012/0006091	A1*	1/2012	Deng .....	73/23.2	2012/0279484	A1*	11/2012	Lange .....	126/110 R

\* cited by examiner



*FIG. 1*



*FIG. 2*

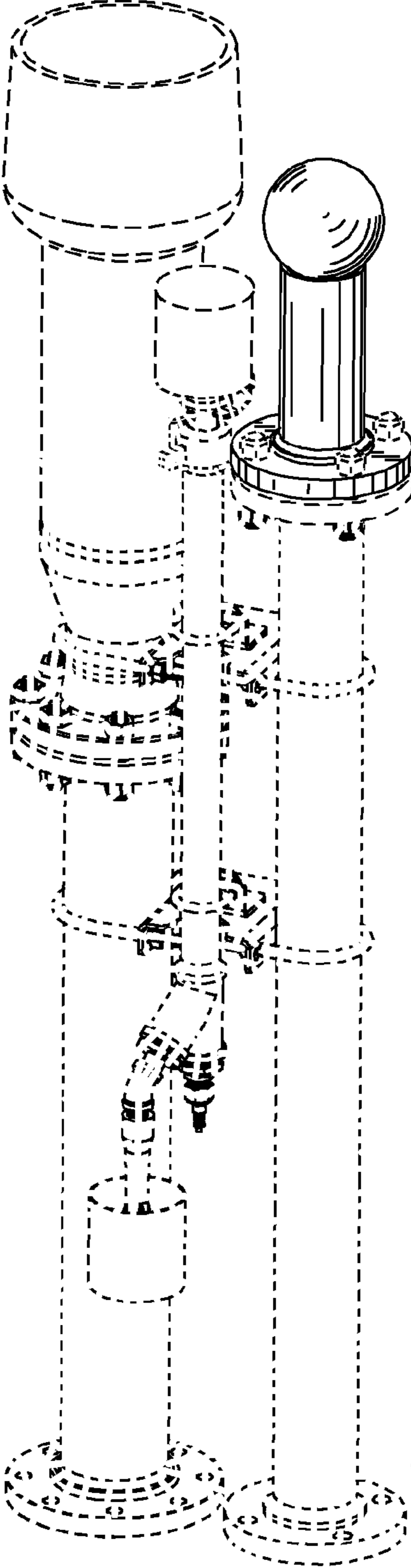


FIG. 3

UNITED STATES PATENT AND TRADEMARK OFFICE  
**CERTIFICATE OF CORRECTION**

PATENT NO. : D684,682 S  
APPLICATION NO. : 29/421989  
DATED : June 18, 2013  
INVENTOR(S) : Kovash et al.

Page 1 of 1

It is certified that error appears in the above-identified patent and that said Letters Patent is hereby corrected as shown below:

Title Page

In the DESCRIPTION, after "FIG. 1 is a front elevational view", insert --of a flare stack burner having spherical valve.--

Signed and Sealed this  
Twenty-third Day of December, 2014



Michelle K. Lee  
*Deputy Director of the United States Patent and Trademark Office*