



US00D684679S

(12) **United States Design Patent**
Okada et al.

(10) **Patent No.:** **US D684,679 S**
(45) **Date of Patent:** **** Jun. 18, 2013**

(54) **COOLING FAN FOR PROJECTOR**
(75) Inventors: **Takayuki Okada**, Tokyo (JP);
Ryousuke Kawase, Kawasaki (JP)
(73) Assignee: **NEC Display Solutions, Ltd.**, Tokyo
(JP)

7,488,152	B2 *	2/2009	Liang	415/119
7,672,126	B2 *	3/2010	Yeh et al.	361/695
7,684,191	B1 *	3/2010	Willis et al.	361/695
7,758,308	B2 *	7/2010	Wu et al.	415/214.1
7,950,811	B2 *	5/2011	Nagahata et al.	353/119
2002/0051338	A1 *	5/2002	Jiang et al.	361/685
2007/0153477	A1 *	7/2007	Liang	361/695
2010/0150757	A1 *	6/2010	Lin et al.	417/423.7

(**) Term: **14 Years**
(21) Appl. No.: **29/411,948**
(22) Filed: **Jan. 27, 2012**

* cited by examiner

Primary Examiner — Caron D Veynar
Assistant Examiner — Martie K Holtje
(74) *Attorney, Agent, or Firm* — Sughrue Mion, PLLC

(30) **Foreign Application Priority Data**
Jul. 29, 2011 (JP) 2011-17542
(51) **LOC (9) Cl.** **23-04**
(52) **U.S. Cl.**
USPC **D23/411; D23/370**
(58) **Field of Classification Search**
USPC D13/179; D23/314, 328, 332, 341,
D23/355, 370, 371, 386, 411; 403/168;
411/377, 510; 415/119, 214.1; 417/324.7;
353/57, 119; 361/685, 687, 695, 697
See application file for complete search history.

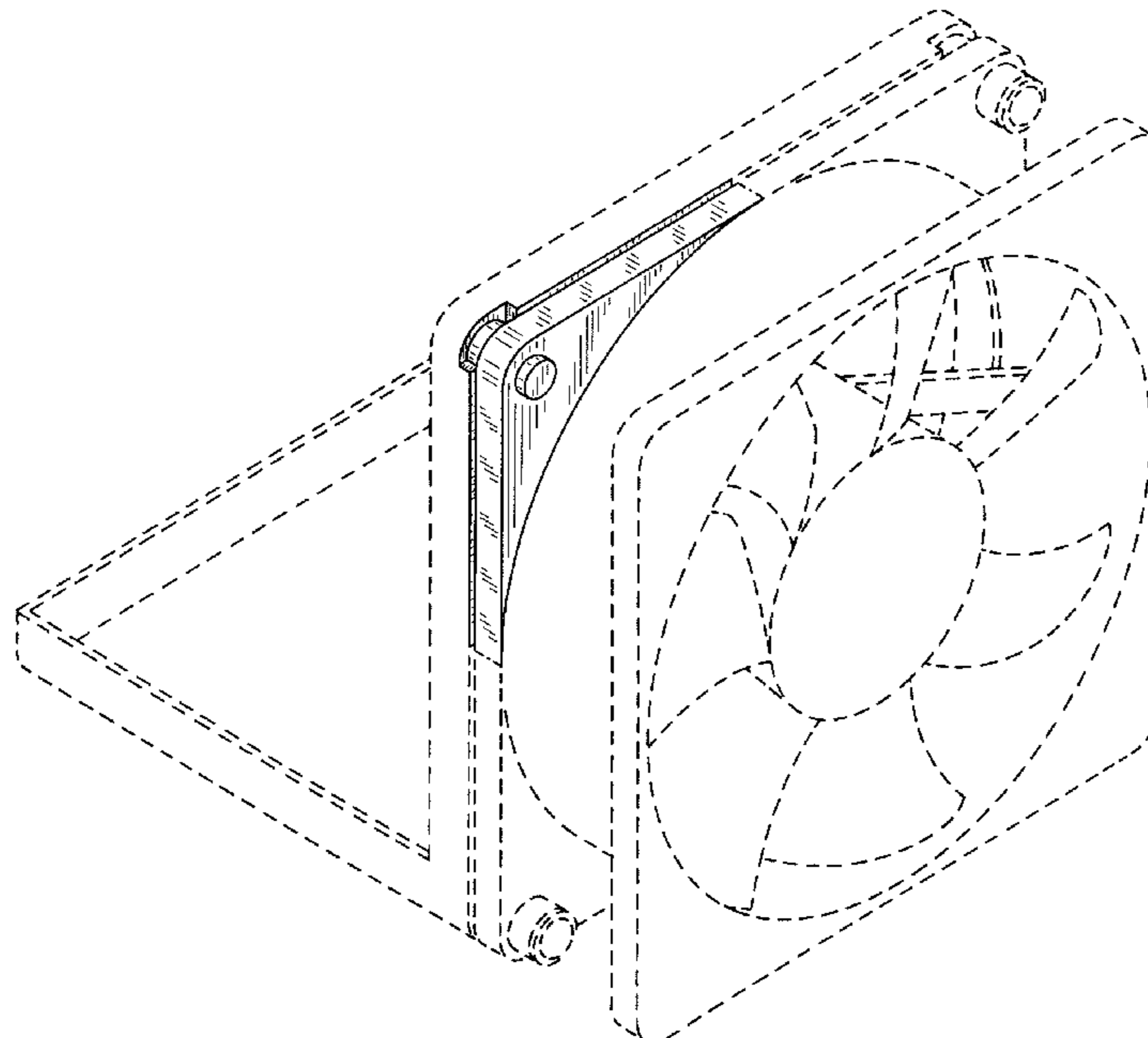
(57) **CLAIM**
The ornamental design for a cooling fan for projector, as shown and described.

(56) **References Cited**
U.S. PATENT DOCUMENTS
5,316,423 A * 5/1994 Kin 411/510
6,351,380 B1 * 2/2002 Curlee et al. 361/695
D487,800 S * 3/2004 Chen et al. D23/370
D492,986 S * 7/2004 Chiu et al. D23/370
6,894,897 B1 * 5/2005 Nagurny et al. 361/695
D560,622 S * 1/2008 Ishihara et al. D13/179
7,342,785 B2 * 3/2008 Liu 361/695
7,384,210 B2 * 6/2008 Sura et al. 403/168
7,443,065 B2 * 10/2008 Chen et al. 310/63

DESCRIPTION

FIG. 1 is a front, left side, bottom perspective view of a cooling fan for projector showing our new design;
FIG. 2 is a front elevational view thereof;
FIG. 3 is a rear elevational view thereof;
FIG. 4 is a left side view thereof;
FIG. 5 is a right side view thereof;
FIG. 6 is a top plan view thereof;
FIG. 7 is a bottom plan view thereof;
FIG. 8 is a cross-sectional view taken in the direction of arrows 8-8 in FIG. 2; and,
FIG. 9 is a cross-sectional view taken in the direction of arrows 9-9 in FIG. 2.
The structural elements depicted by means of broken lines are shown for the purpose of illustrating portions of the cooling fan for projector that form no part of the claimed design.

1 Claim, 9 Drawing Sheets



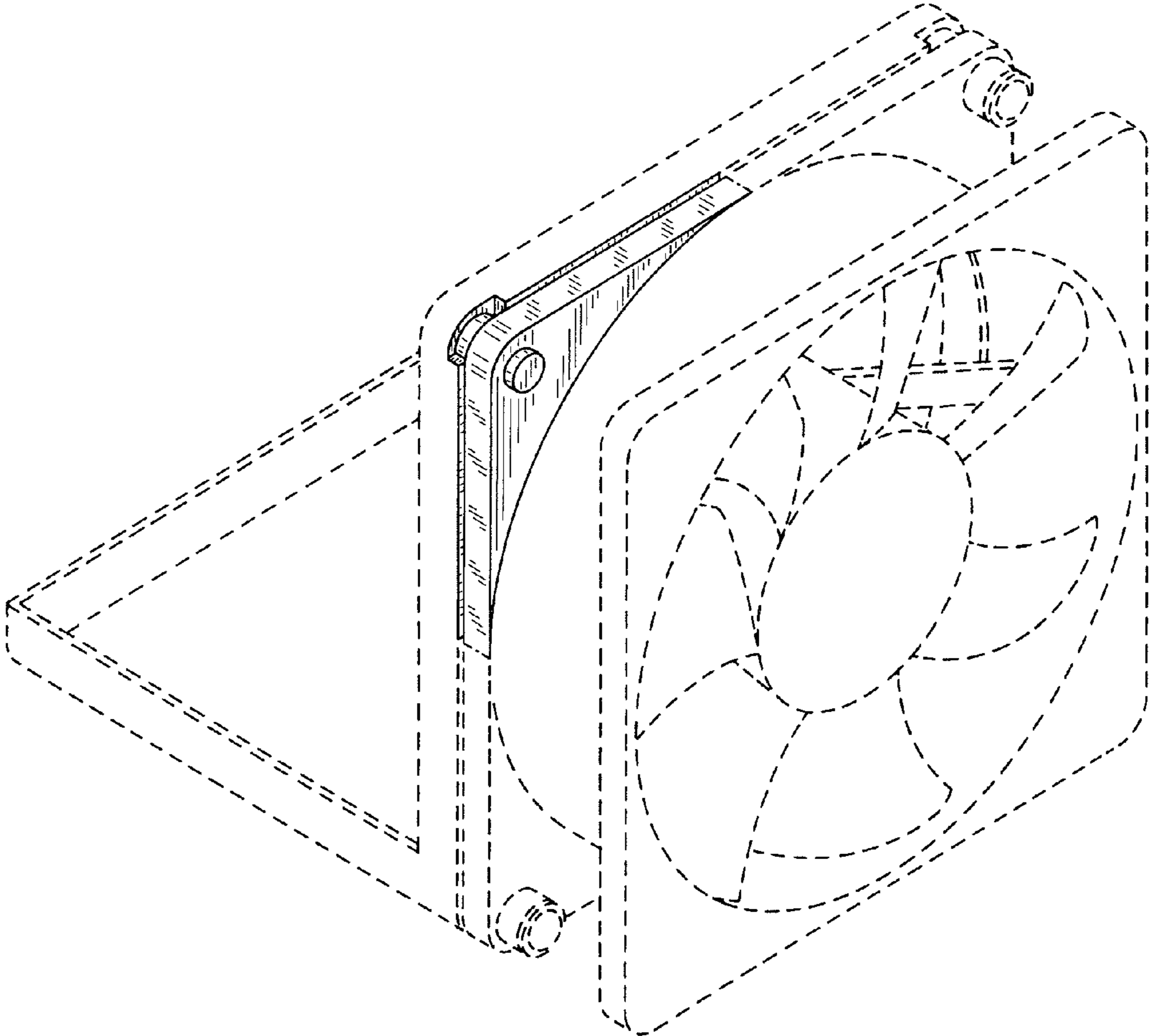


FIG. 1

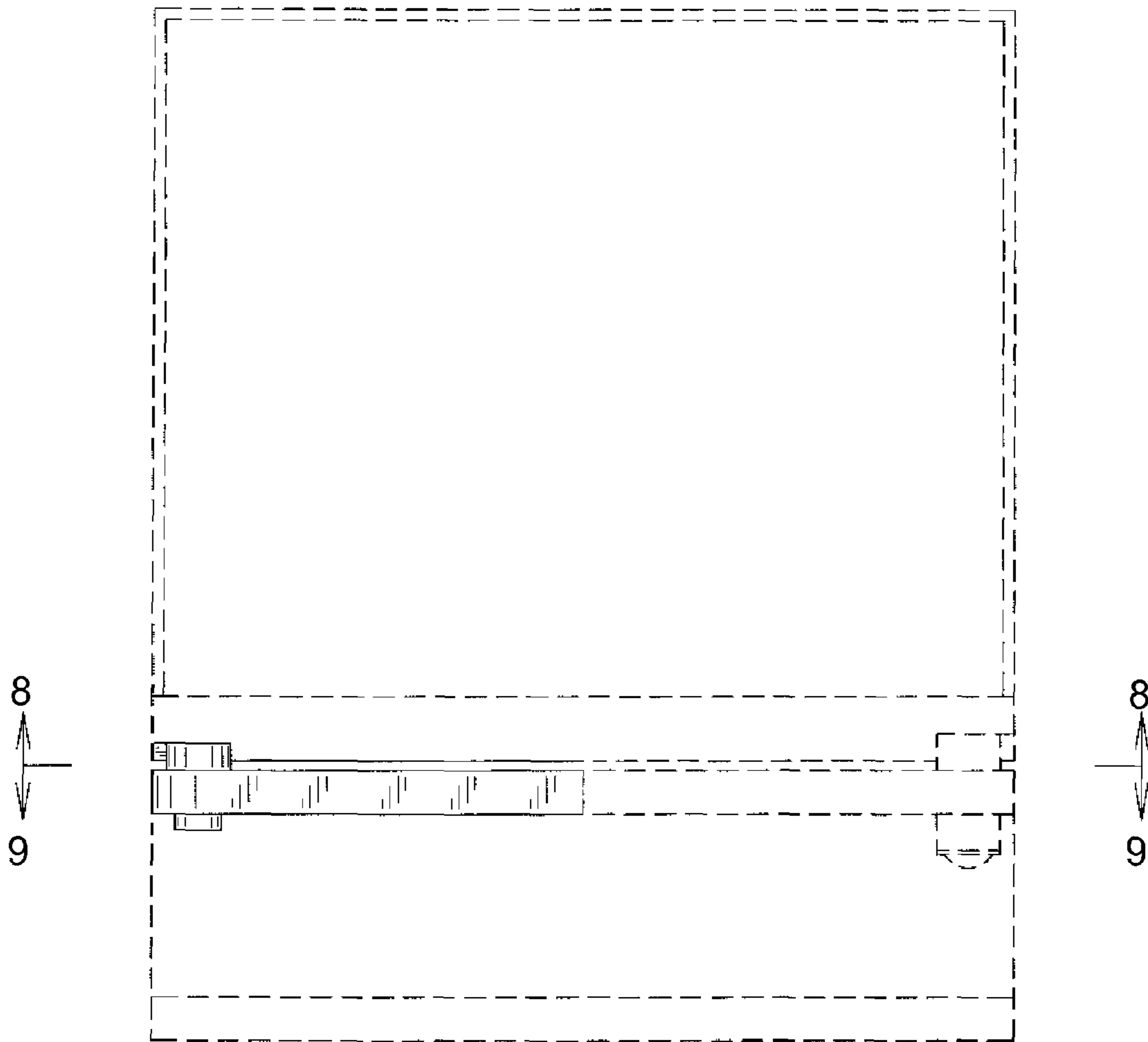


FIG. 2

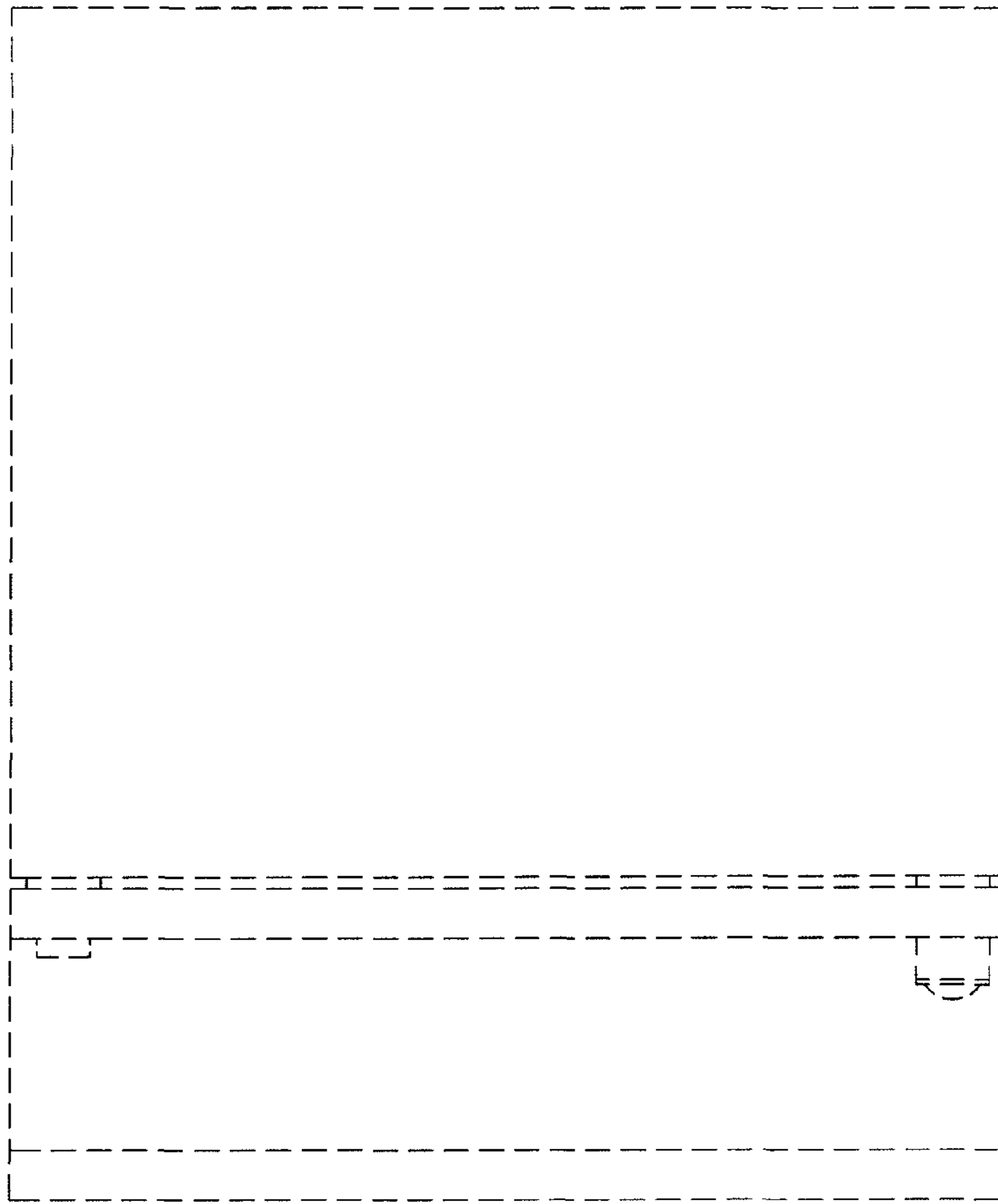


FIG. 3

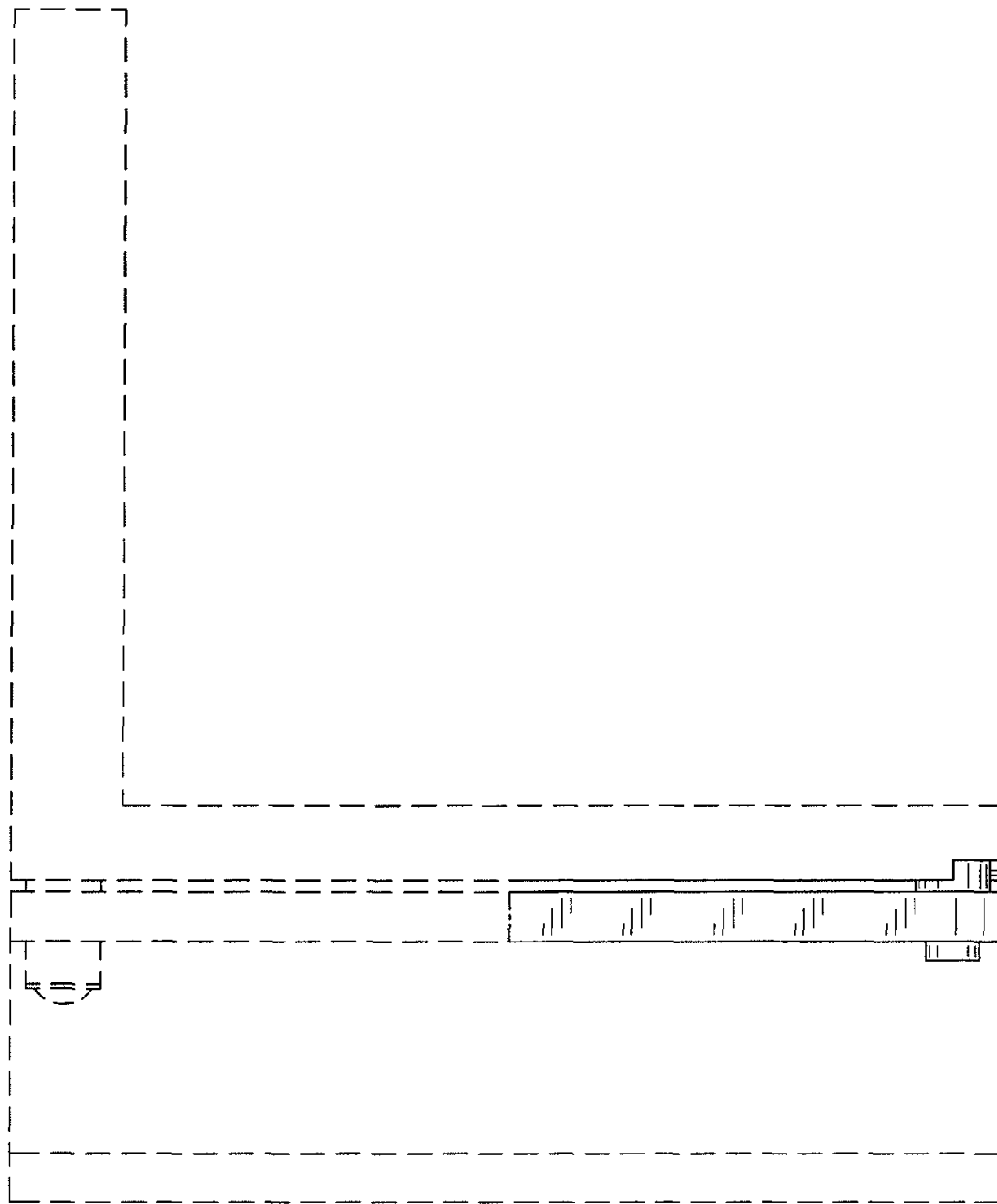


FIG. 4

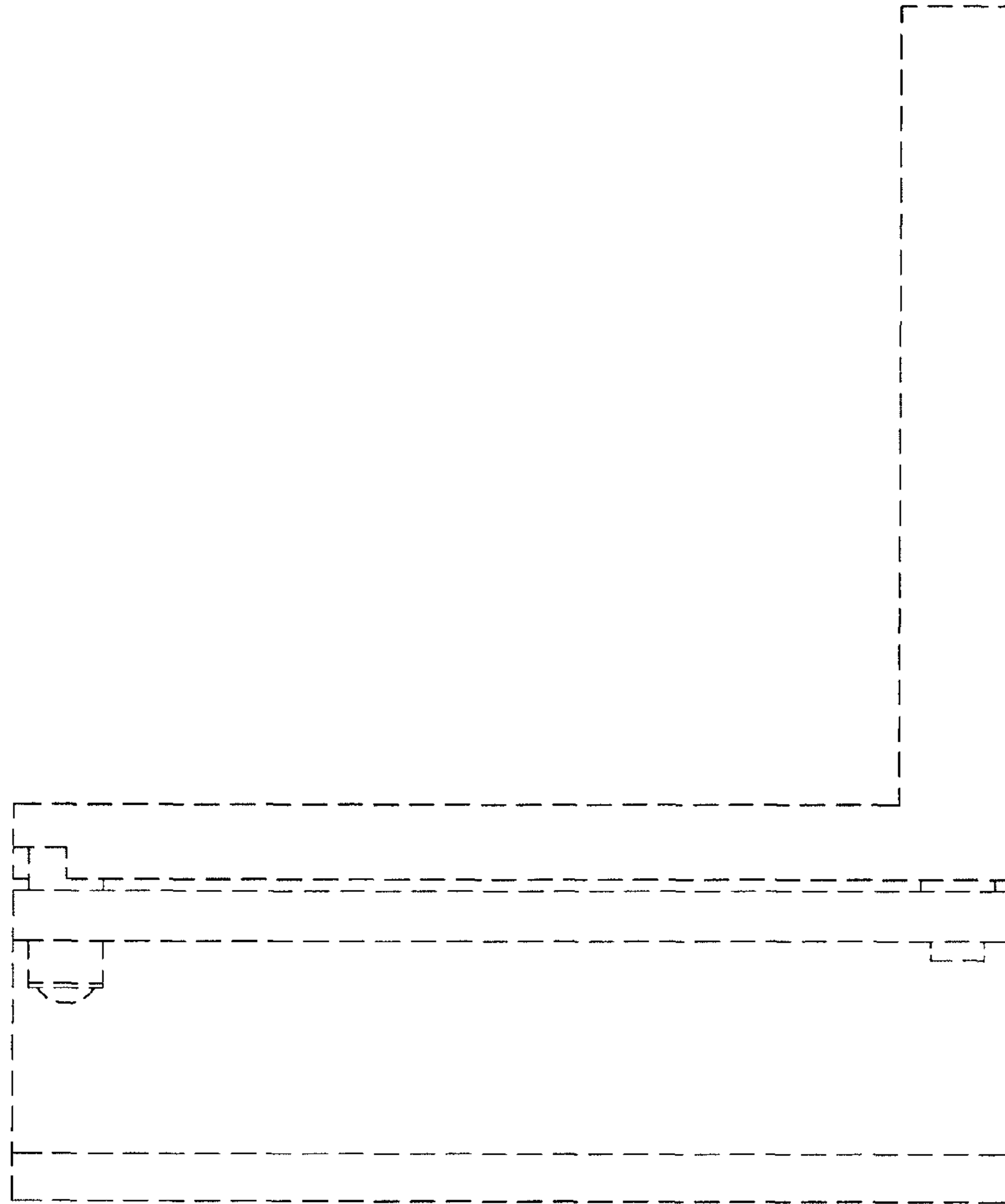


FIG. 5

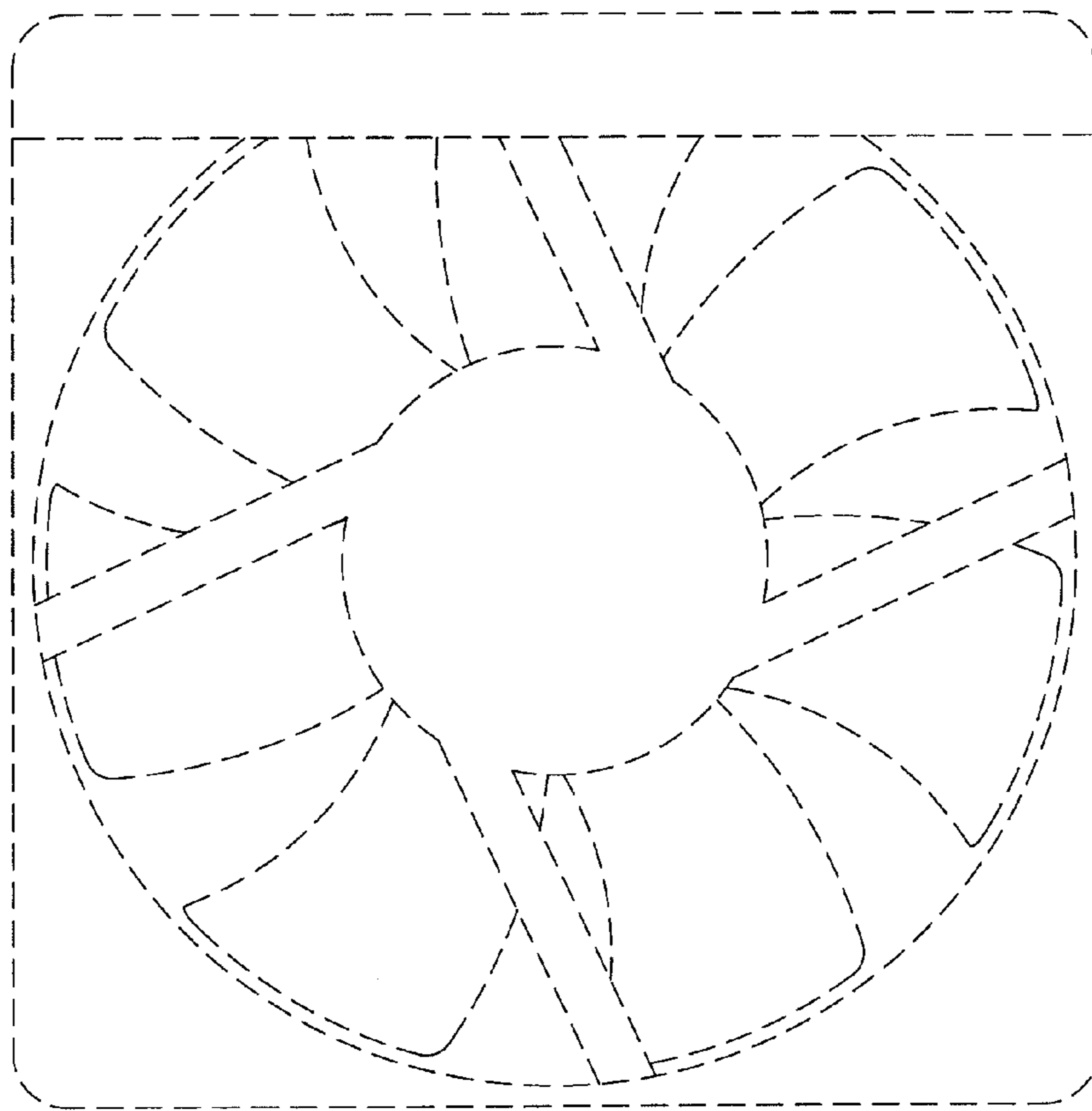


FIG. 6

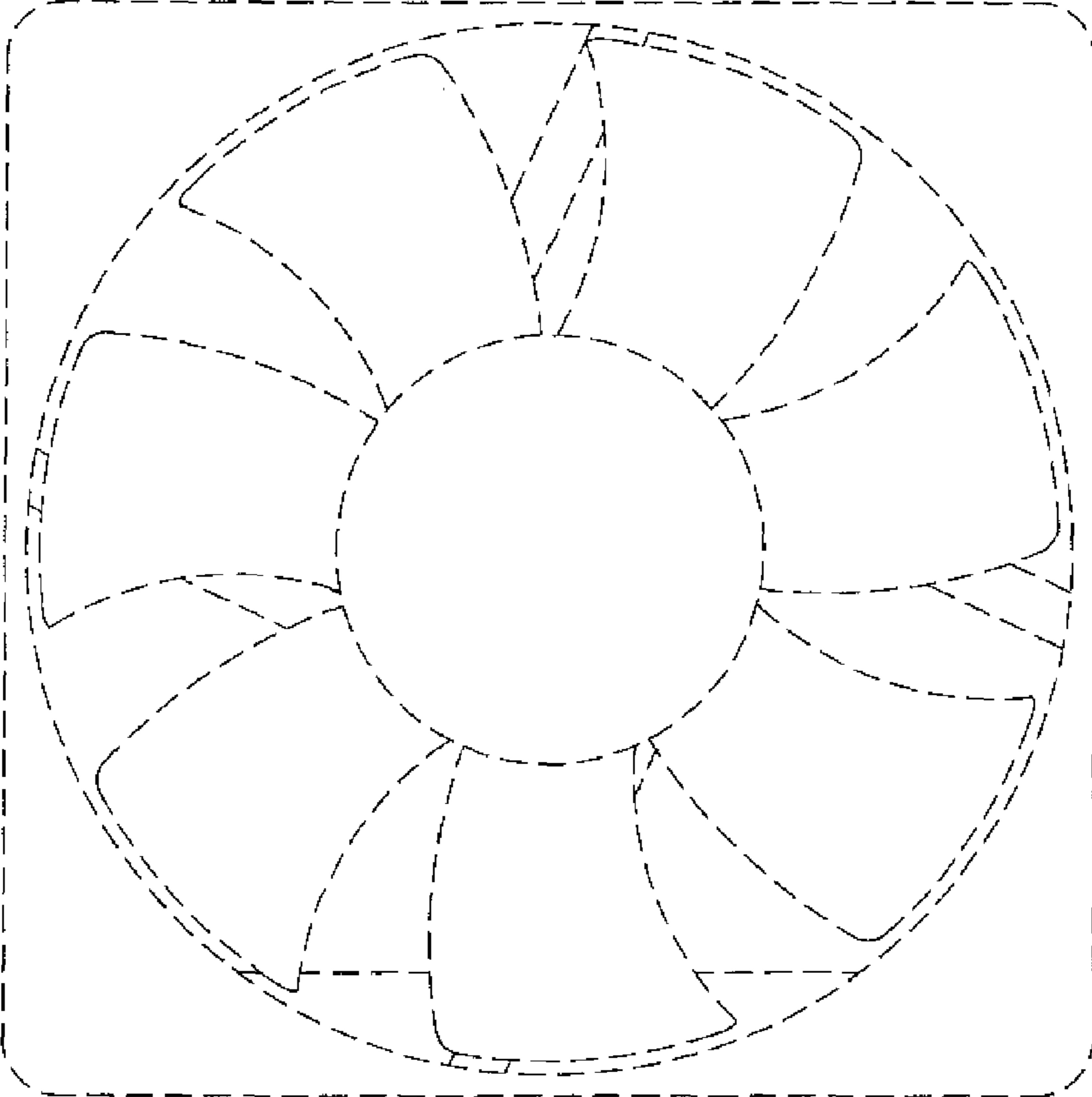


FIG. 7

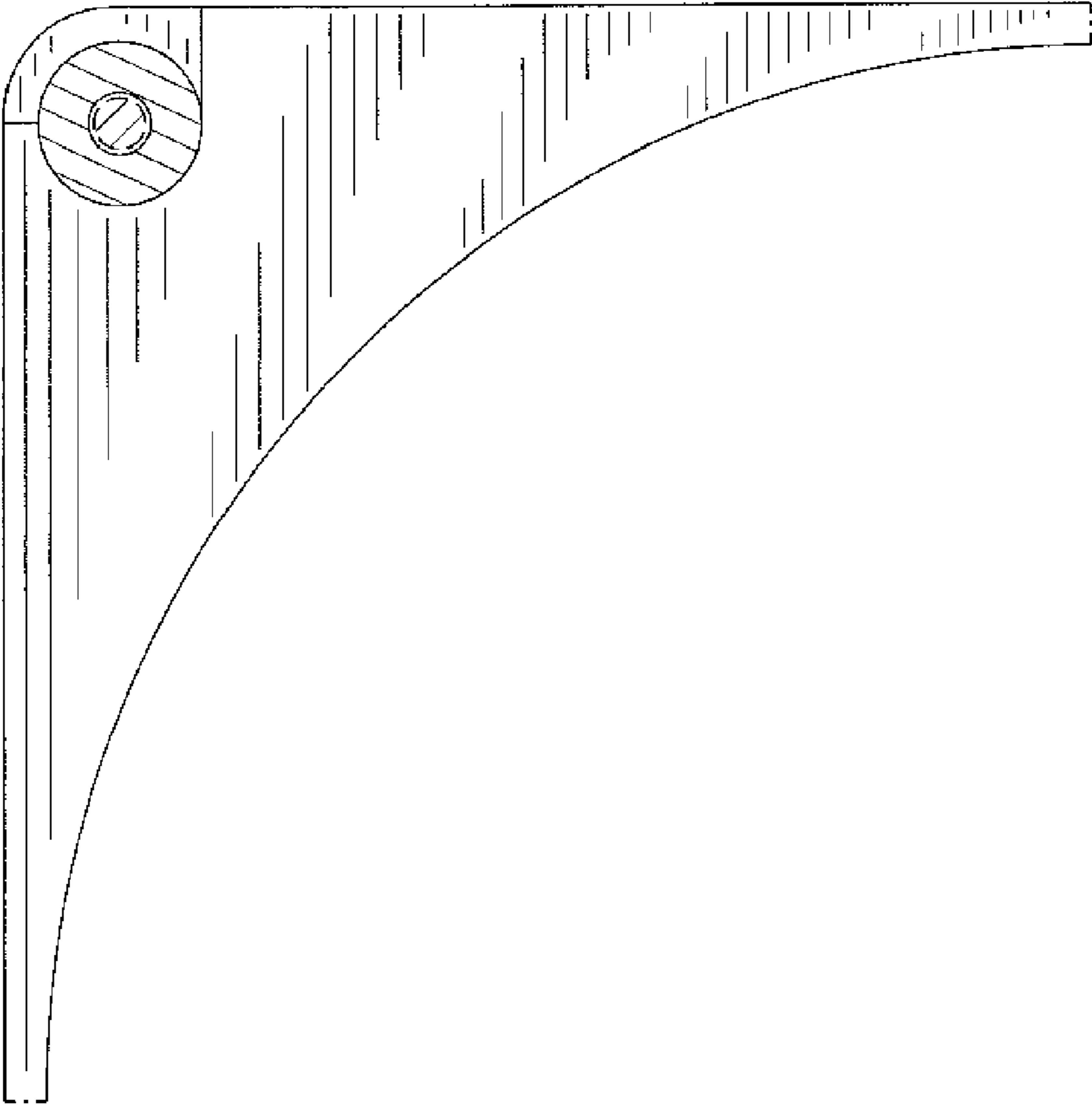


FIG. 8

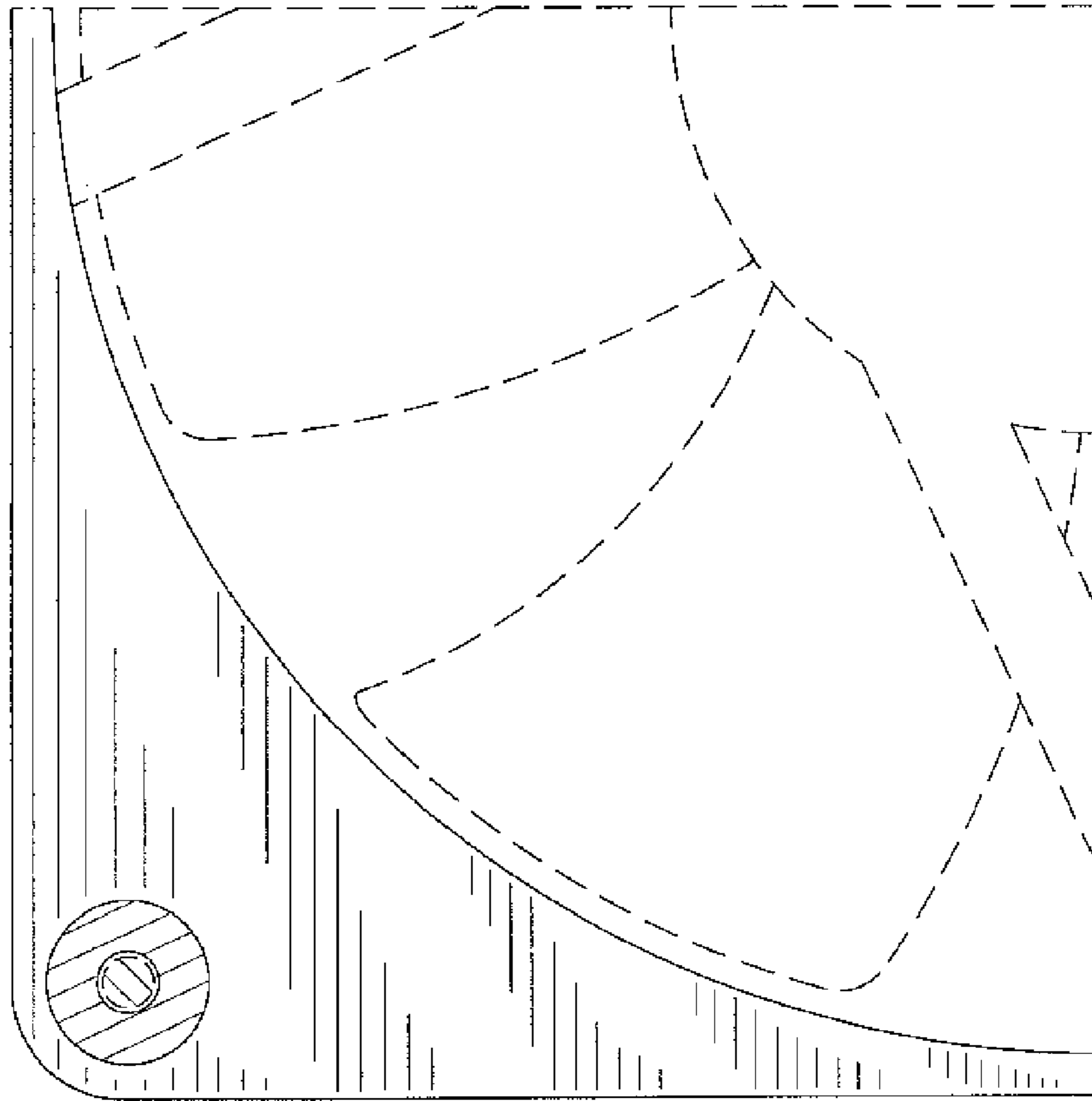


FIG. 9