



US00D684678S

(12) **United States Design Patent**  
**Okada et al.**

(10) **Patent No.:** **US D684,678 S**  
(45) **Date of Patent:** **\*\* Jun. 18, 2013**

(54) **VIBRATION CONTROL ELEMENT FOR A COOLING FAN**

(75) Inventors: **Takayuki Okada**, Tokyo (JP);  
**Ryousuke Kawase**, Kawasaki (JP)

(73) Assignee: **NEC Display Solutions, Ltd.**, Tokyo (JP)

(\*\*) Term: **14 Years**

(21) Appl. No.: **29/411,944**

(22) Filed: **Jan. 27, 2012**

(30) **Foreign Application Priority Data**

Jul. 29, 2011 (JP) ..... 2011-17541

(51) **LOC (9) Cl.** ..... **23-04**

(52) **U.S. Cl.**  
USPC ..... **D23/411**

(58) **Field of Classification Search**  
USPC ..... D23/314, 328, 332, 341, 355, 370,  
D23/371, 386, 411; D8/312, 397, 382, 386;  
411/377; 403/168; 415/119; 361/687, 685,  
361/697

See application file for complete search history.

(56) **References Cited**

**U.S. PATENT DOCUMENTS**

D23,917 S \* 12/1894 Lane et al. .... D8/397  
1,867,354 A \* 7/1932 Dickson ..... 411/377  
D205,374 S \* 7/1966 Mushlin ..... D8/397  
3,452,149 A \* 6/1969 Rinaldi ..... 174/261

D273,561 S \* 4/1984 Ozaki et al. .... D8/397  
D412,435 S \* 8/1999 Cultice, Jr. .... D8/397  
D424,186 S \* 5/2000 Dodson ..... D23/370  
6,351,380 B1 \* 2/2002 Curlee et al. .... 361/695  
D488,715 S \* 4/2004 Plumer ..... D8/397  
D520,856 S \* 5/2006 Osiecki et al. .... D8/312  
D547,172 S \* 7/2007 Kent et al. .... D8/397  
7,384,210 B2 \* 6/2008 Sura et al. .... 403/168  
7,488,152 B2 \* 2/2009 Liang ..... 415/119  
7,522,415 B2 \* 4/2009 Fan et al. .... 361/695  
7,684,191 B1 \* 3/2010 Willis et al. .... 361/695  
7,748,955 B2 \* 7/2010 Lee ..... 415/119  
2002/0051338 A1 \* 5/2002 Jiang et al. .... 361/685  
2007/0008698 A1 \* 1/2007 Kao ..... 361/687  
2009/0189311 A1 \* 7/2009 Quillin et al. .... 264/300

\* cited by examiner

*Primary Examiner* — Caron D Veynar

*Assistant Examiner* — Martie K Holtje

(74) *Attorney, Agent, or Firm* — Sughrue Mion, PLLC

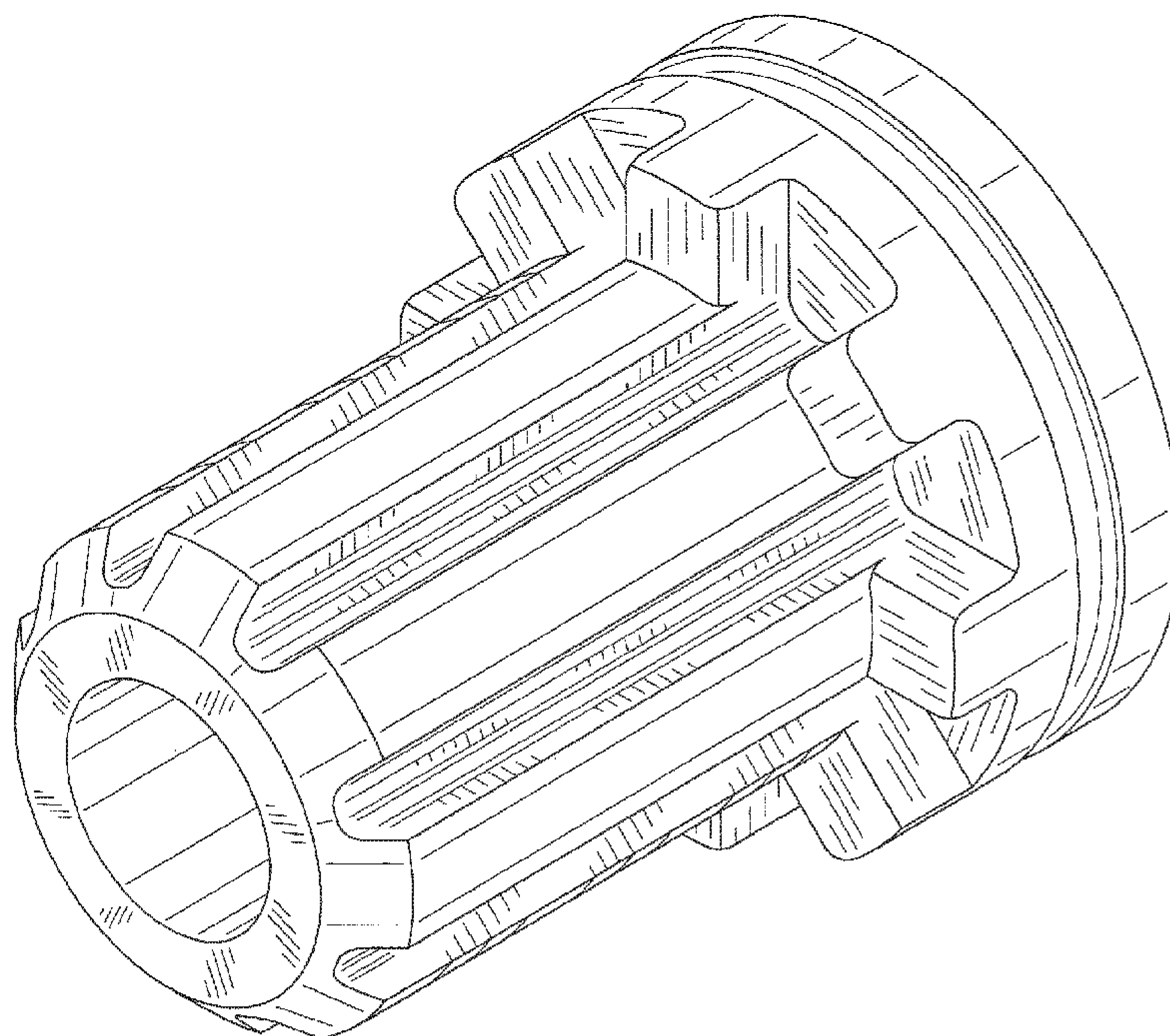
(57) **CLAIM**

The ornamental design for a vibration control element for a cooling fan, as shown.

**DESCRIPTION**

FIG. 1 is a rear, right side, top perspective view of a vibration control element for a cooling fan showing our new design; FIG. 2 is a front elevational view thereof; FIG. 3 is a rear elevational view thereof; FIG. 4 is a left side view thereof; FIG. 5 is a right side view thereof; FIG. 6 is a top plan view thereof; and, FIG. 7 is a bottom plan view thereof.

**1 Claim, 7 Drawing Sheets**



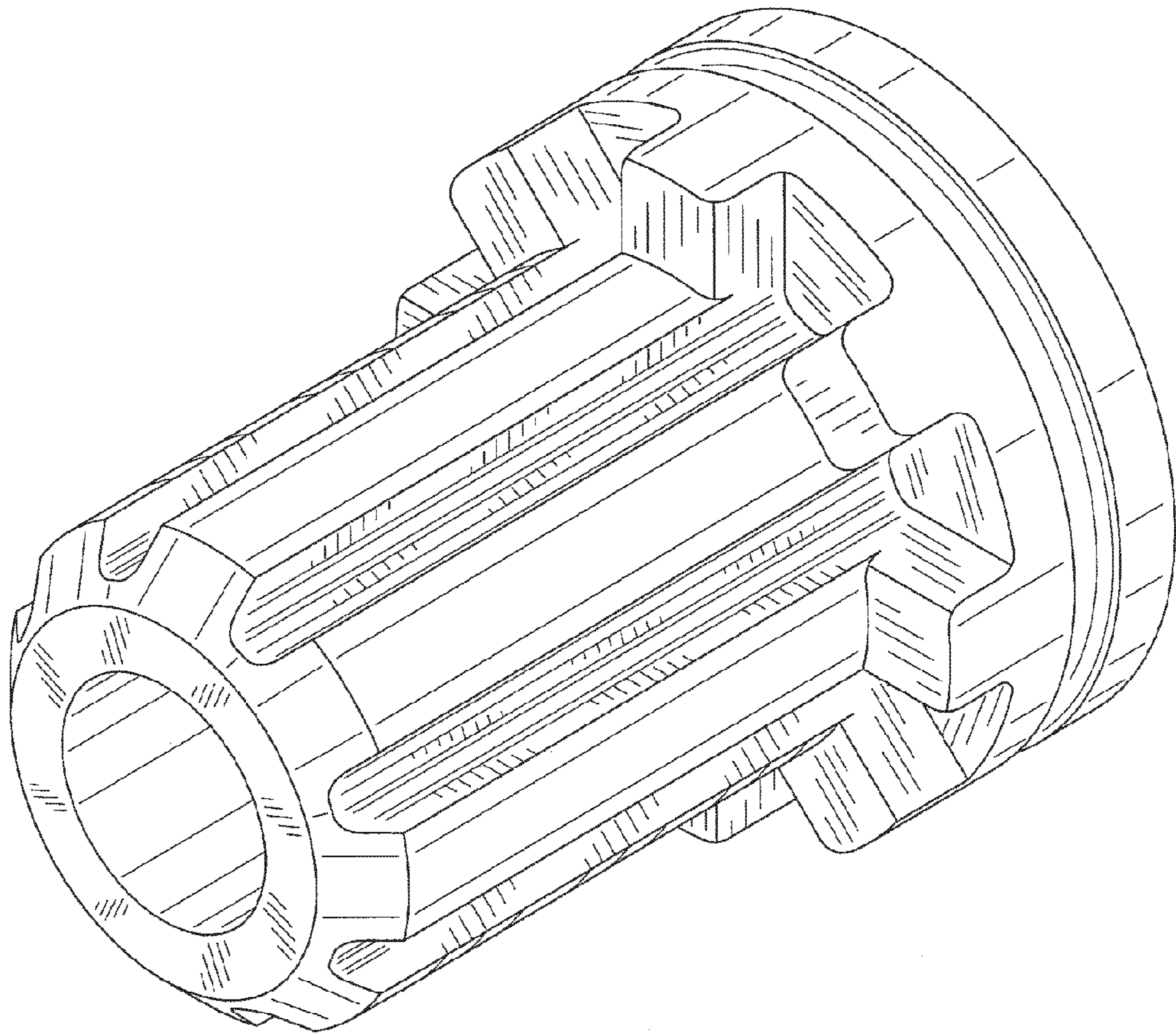


FIG. 1

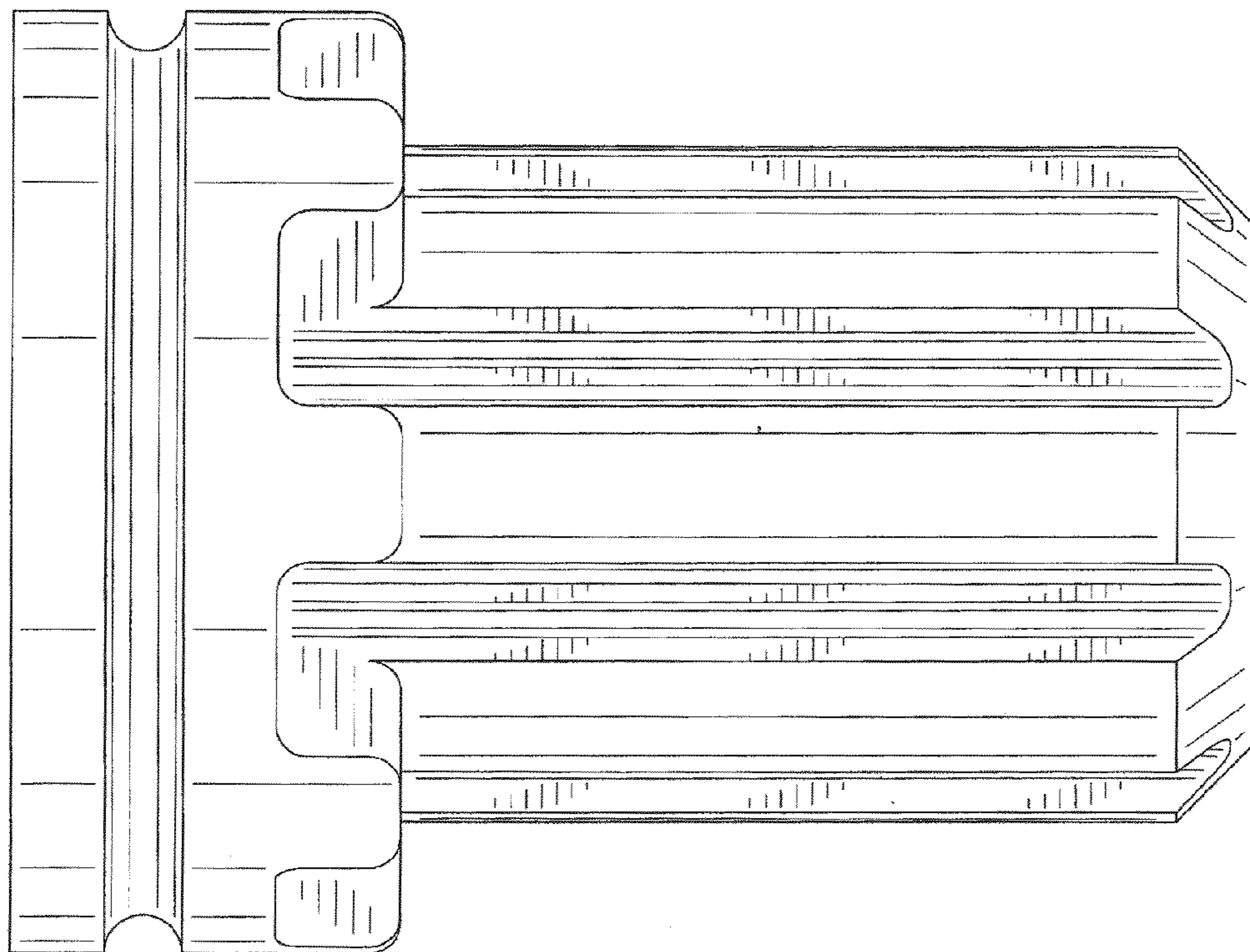


FIG. 2

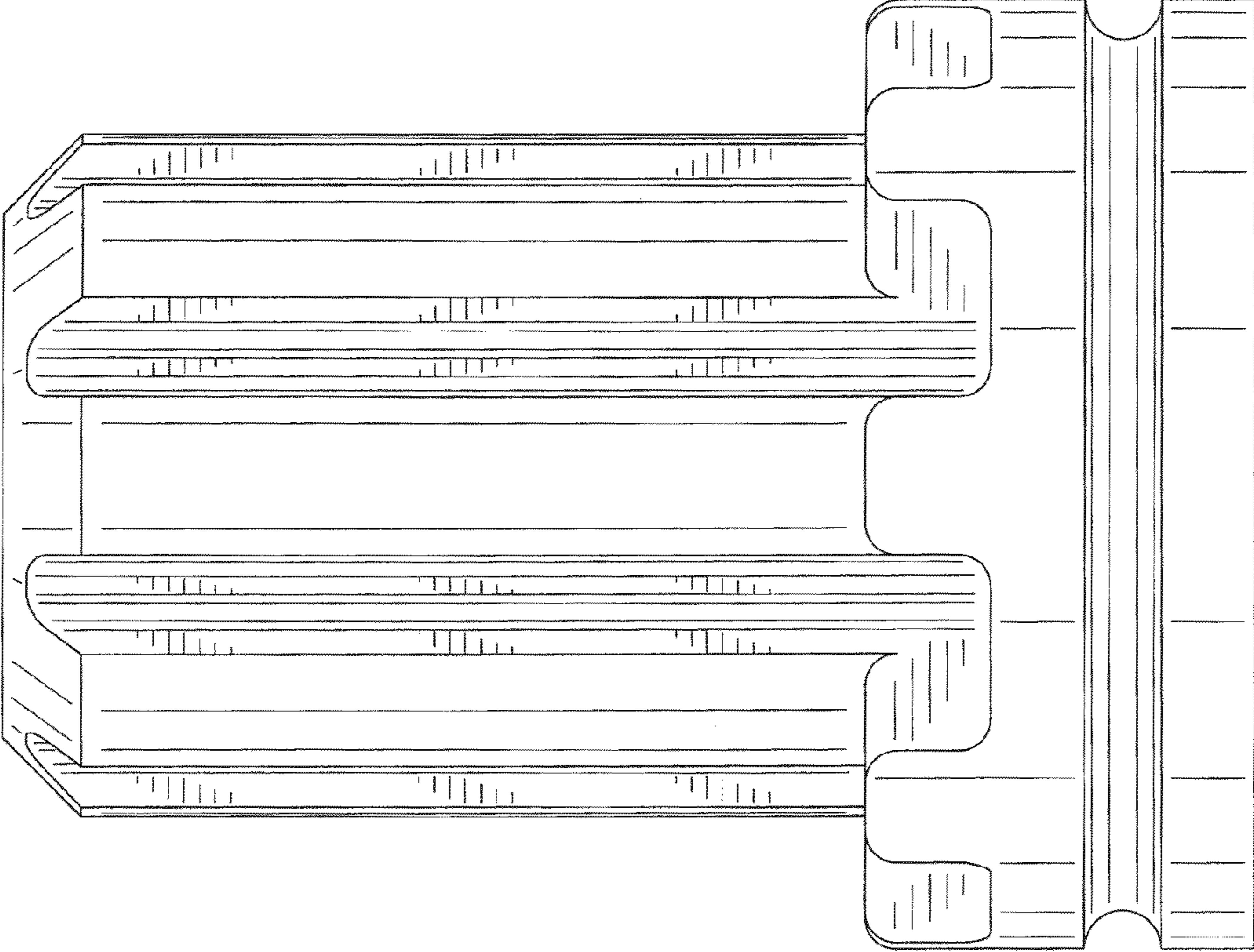


FIG. 3

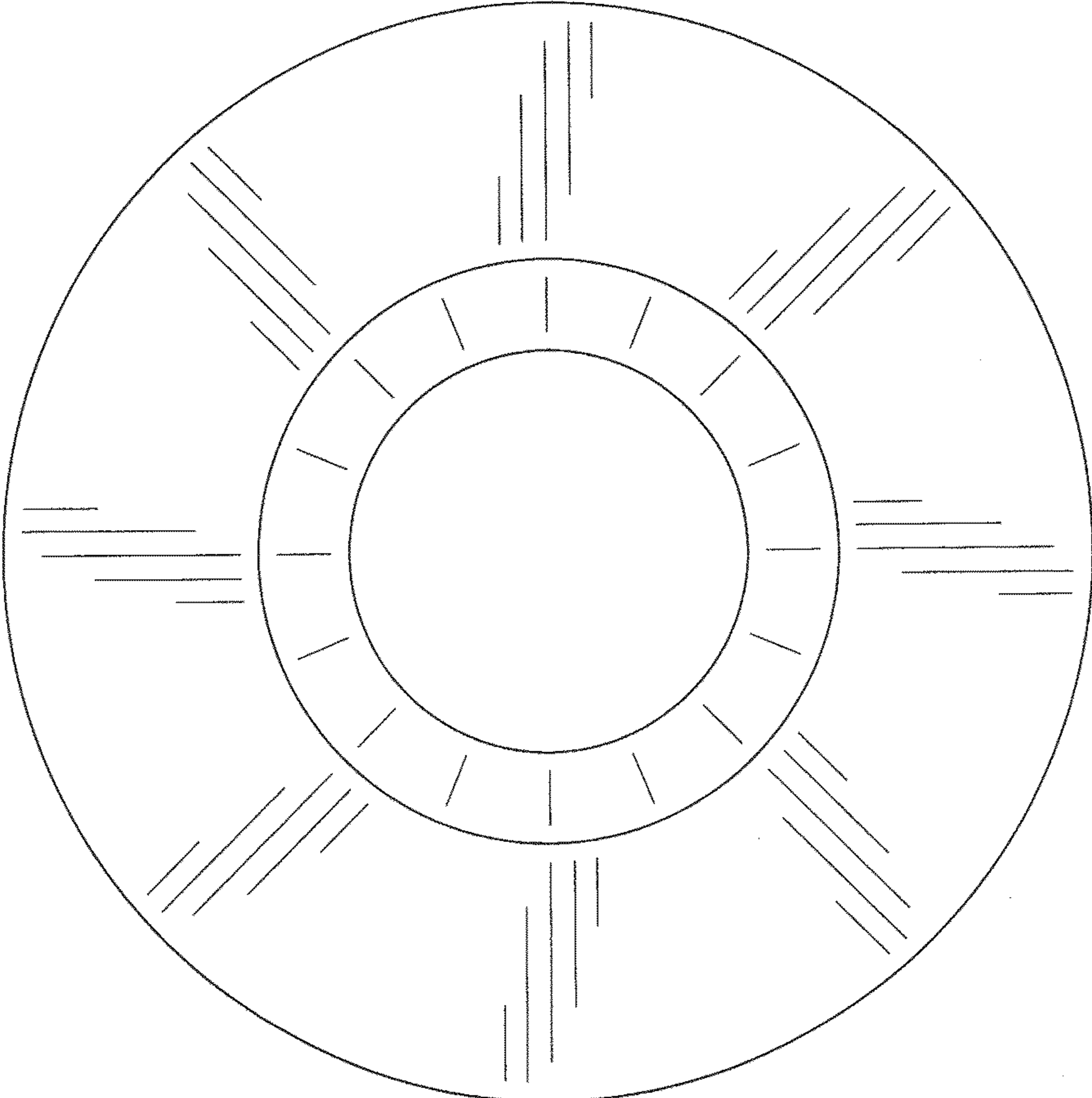


FIG. 4

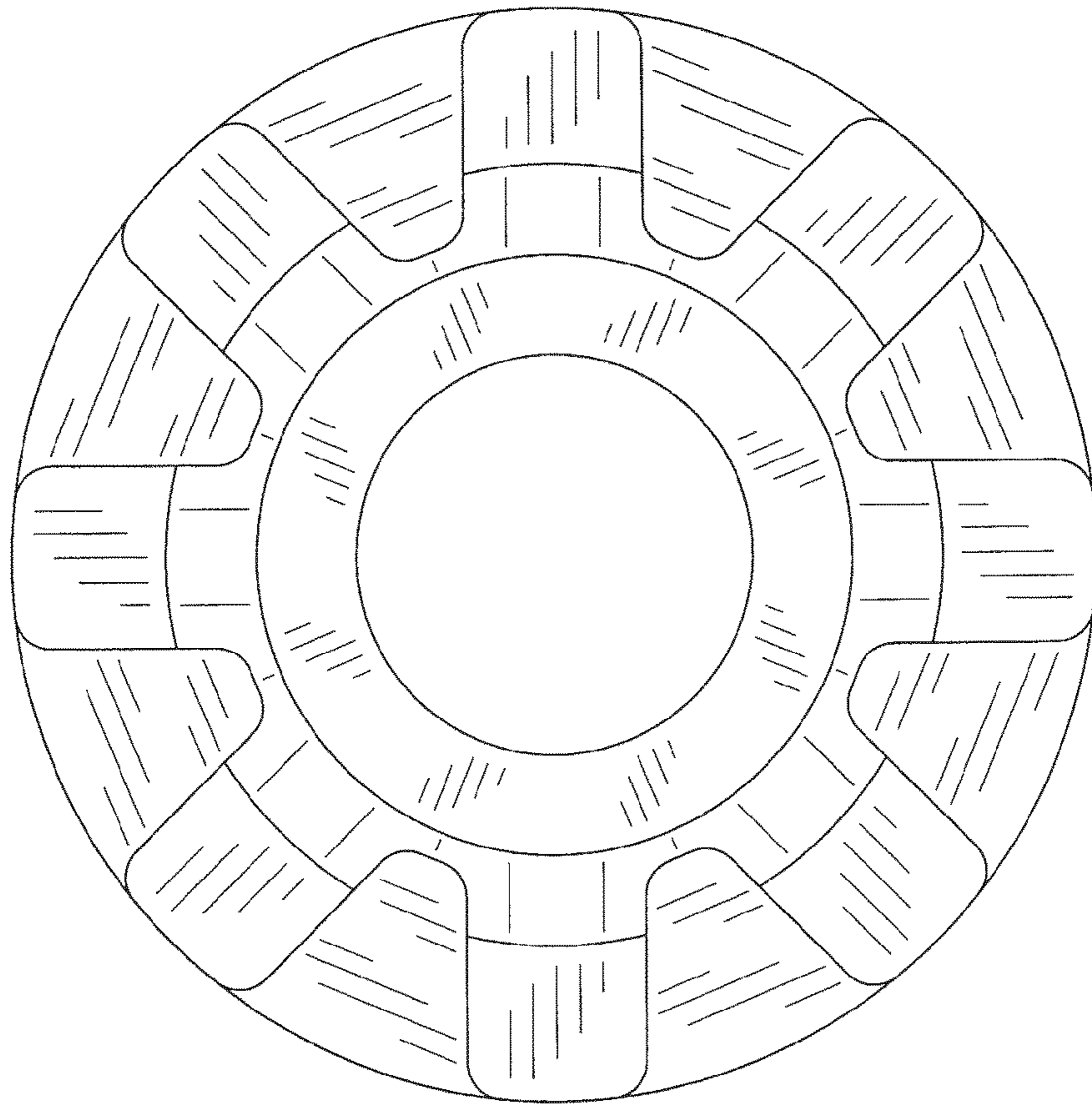


FIG. 5

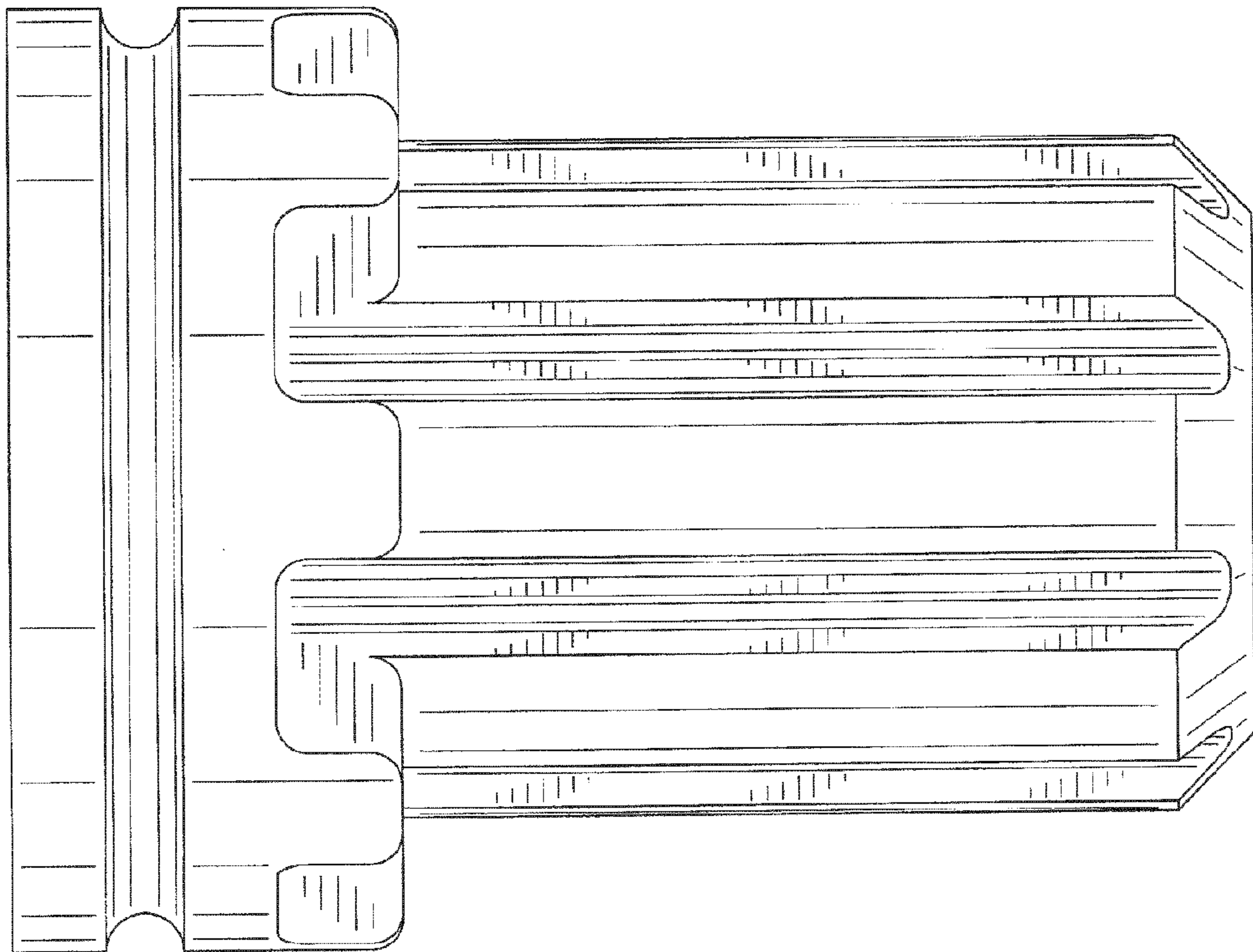


FIG. 6

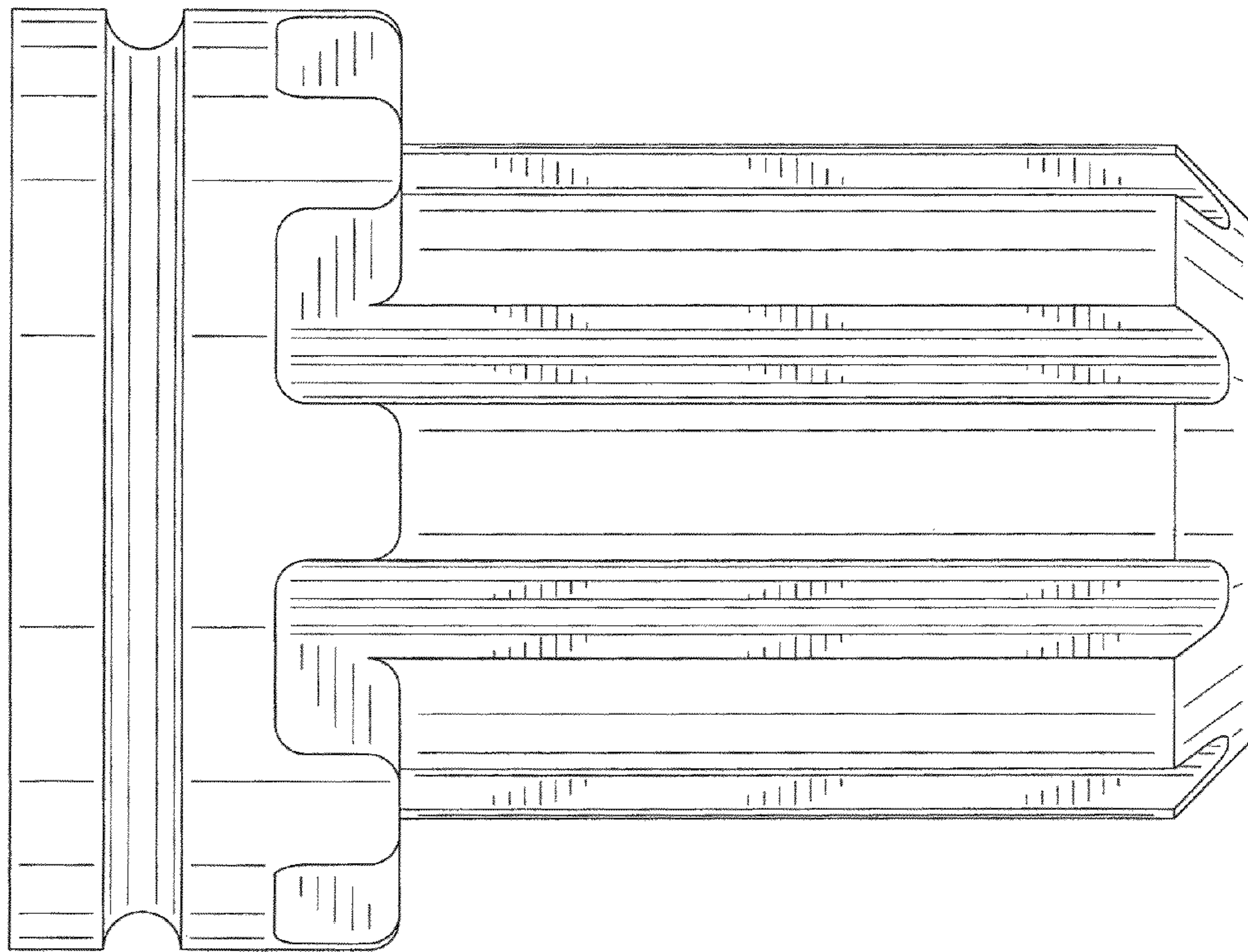


FIG. 7