



US00D684676S

(12) **United States Design Patent**
Funnell, II

(10) **Patent No.:** **US D684,676 S**
(45) **Date of Patent:** **** Jun. 18, 2013**

(54) **KITCHEN VENTILATOR**

(75) Inventor: **Richard W. Funnell, II**, Corona del Mar, CA (US)

(73) Assignee: **BSH Home Appliances Corporation**, Irvine, CA (US)

(**) Term: **14 Years**

(21) Appl. No.: **29/410,594**

(22) Filed: **Jan. 10, 2012**

(51) **LOC (9) Cl.** **23-04**

(52) **U.S. Cl.**
USPC **D23/372; D23/411**

(58) **Field of Classification Search**
USPC D23/355, 370, 371, 372, 386-394,
D23/411-414; 34/169; 52/302.1, 302.7;
55/DIG. 36; 126/299 D-299 F, 299 R, 300,
126/301, 312; 454/250-253, 275, 367, 368
See application file for complete search history.

(56) **References Cited**

U.S. PATENT DOCUMENTS

3,834,135	A *	9/1974	Jordan	55/444
4,133,300	A *	1/1979	Burton et al.	126/299 D
D312,685	S *	12/1990	Fleming et al.	D23/372
5,267,550	A *	12/1993	Jang	126/299 D
5,824,126	A *	10/1998	Chen	55/501
6,782,885	B1 *	8/2004	Chiang et al.	126/299 R
D532,507	S *	11/2006	Vetter	D23/372
D533,933	S *	12/2006	Kashimura	D23/372
D565,718	S *	4/2008	Kudo	D23/372
D611,590	S *	3/2010	Grey	D23/372

D635,235 S * 3/2011 Hoshino et al. D23/372
2006/0157048 A1 * 7/2006 Heilman 126/299 R
2007/0256681 A1 * 11/2007 Chiang et al. 126/299 R

* cited by examiner

Primary Examiner — Caron D Veynar

Assistant Examiner — Martie K Holtje

(74) *Attorney, Agent, or Firm* — James E. Howard; Andre Pallapies

(57) **CLAIM**

The ornamental design for a kitchen ventilator, as shown and described.

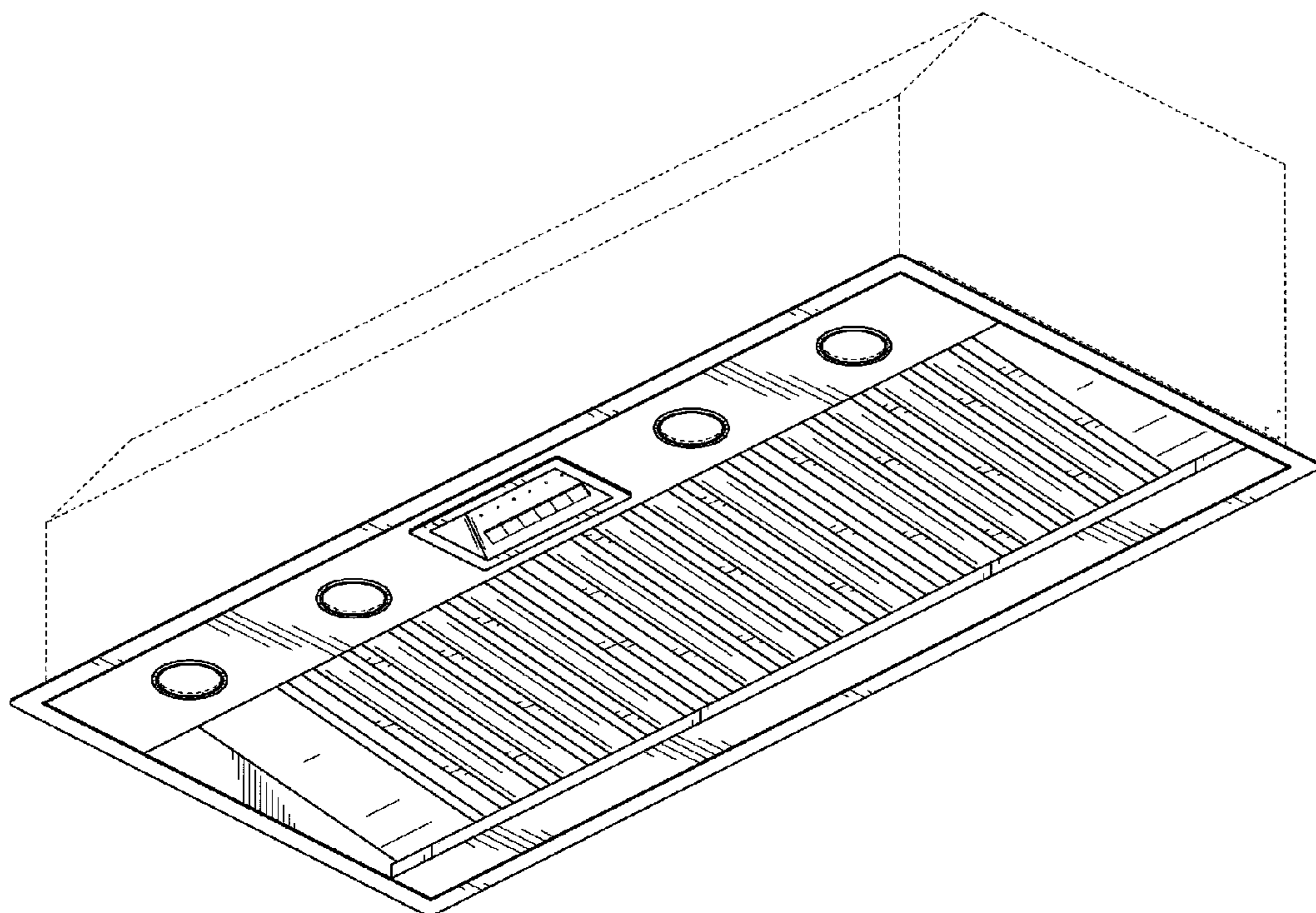
DESCRIPTION

FIG. 1 is a bottom perspective view of a kitchen ventilator according to my new ornamental design;
FIG. 2 is a front view thereof;
FIG. 3 is a rear view thereof;
FIG. 4 is a top view thereof;
FIG. 5 is a bottom view thereof;
FIG. 6 is a left side view thereof; and,
FIG. 7 is a right side view thereof.

The broken lines represent environment or structure and do not form any part of the claimed design.

The dotted lines in FIG. 4 delineate an opening and/or indicate the border between claimed, exterior subject matter and unclaimed, interior feature(s), and do not form any part of the claimed design.

1 Claim, 5 Drawing Sheets



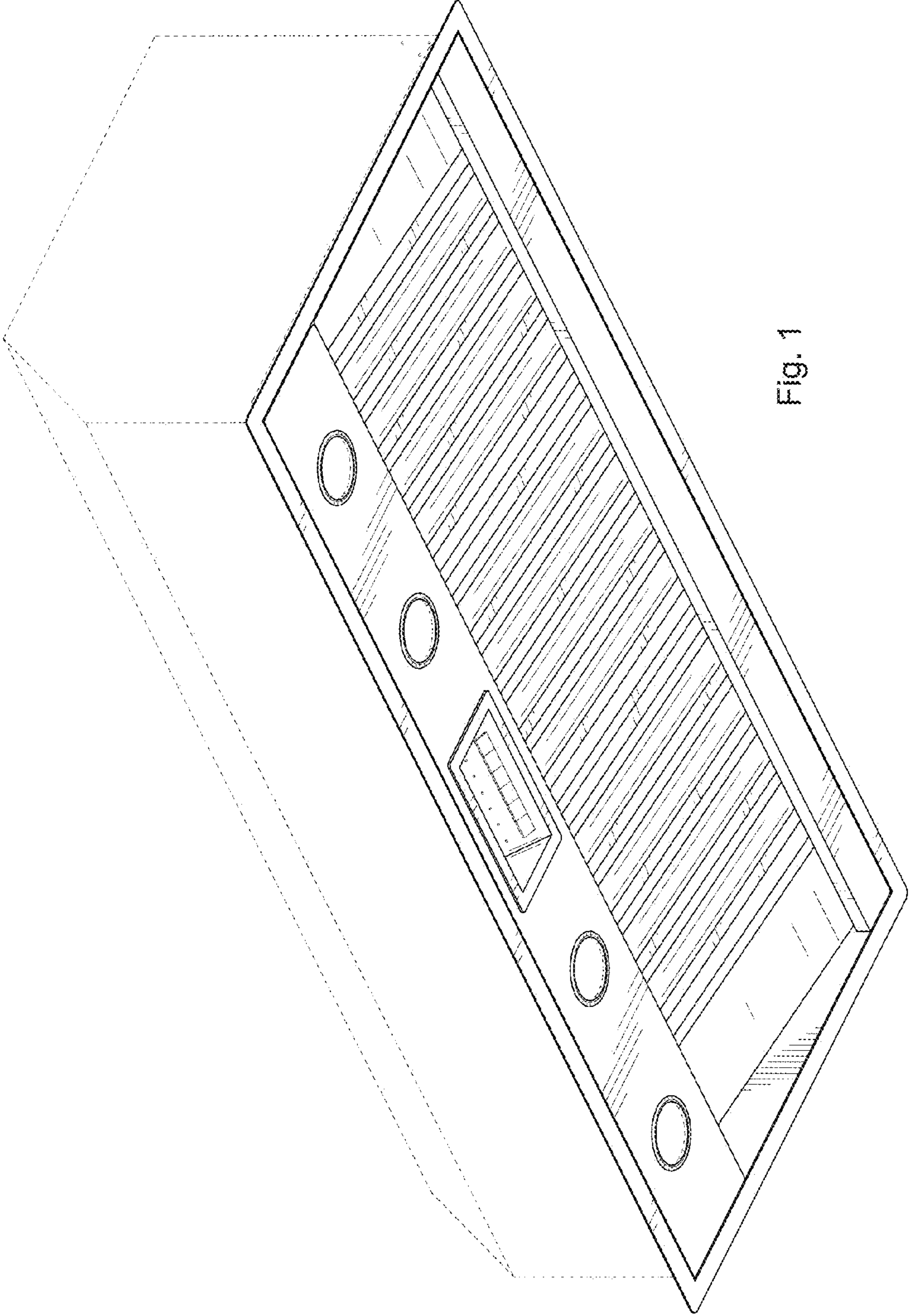


Fig. 1

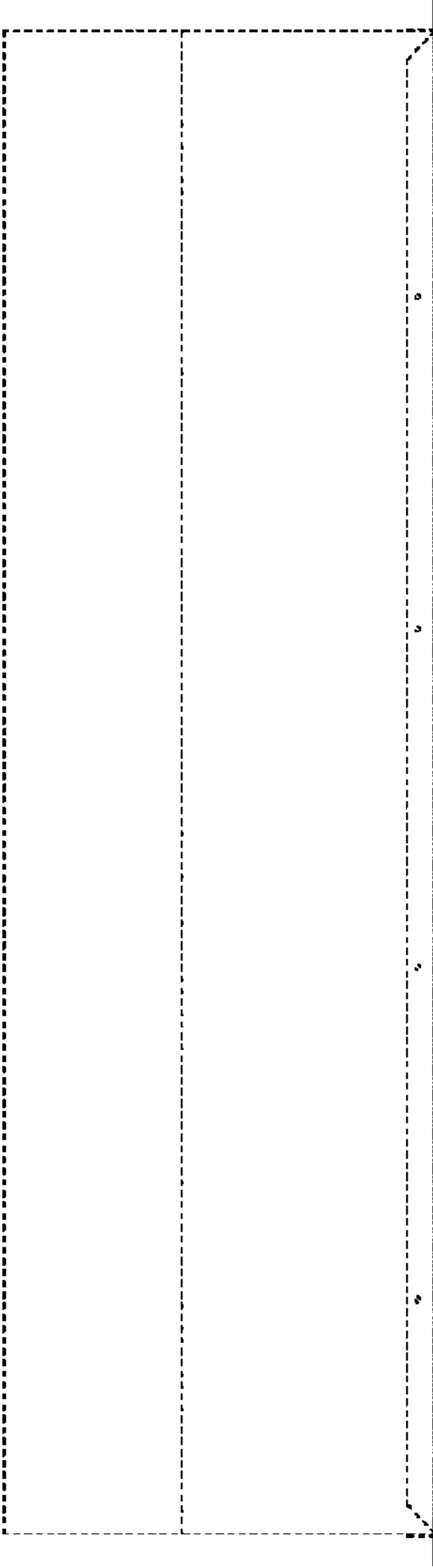


Fig. 2

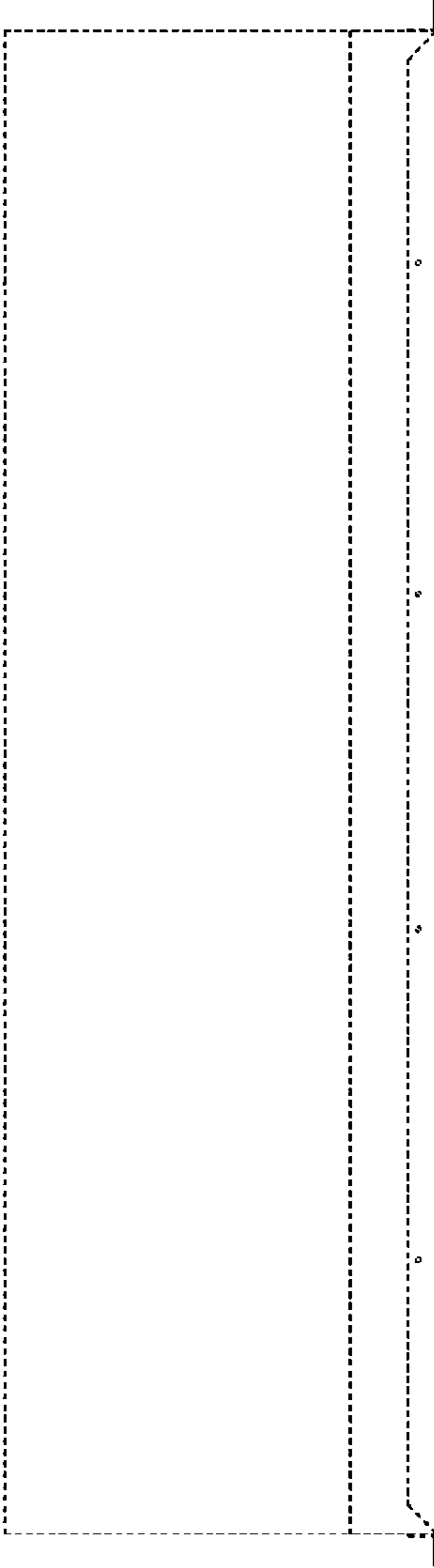


Fig. 3

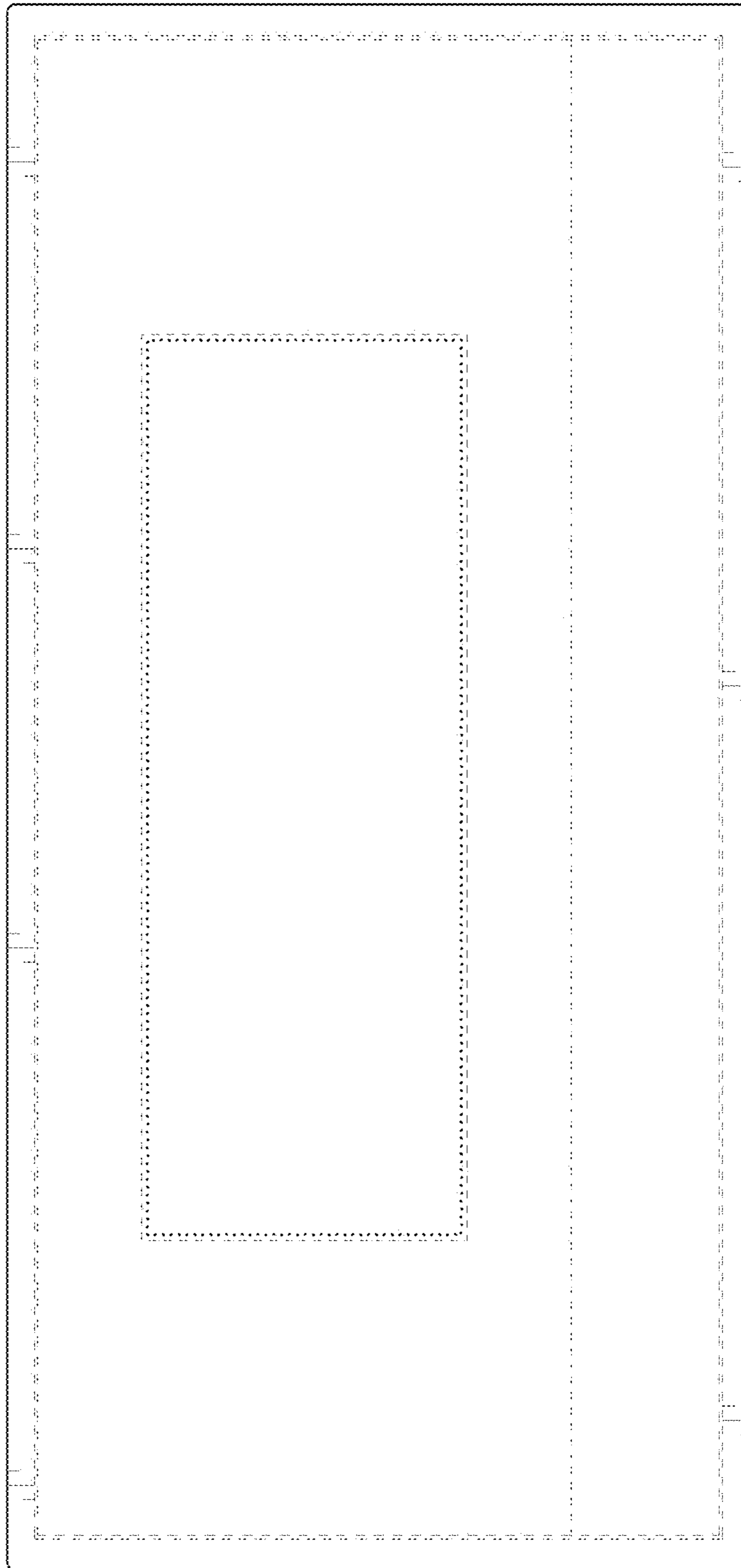


Fig. 4

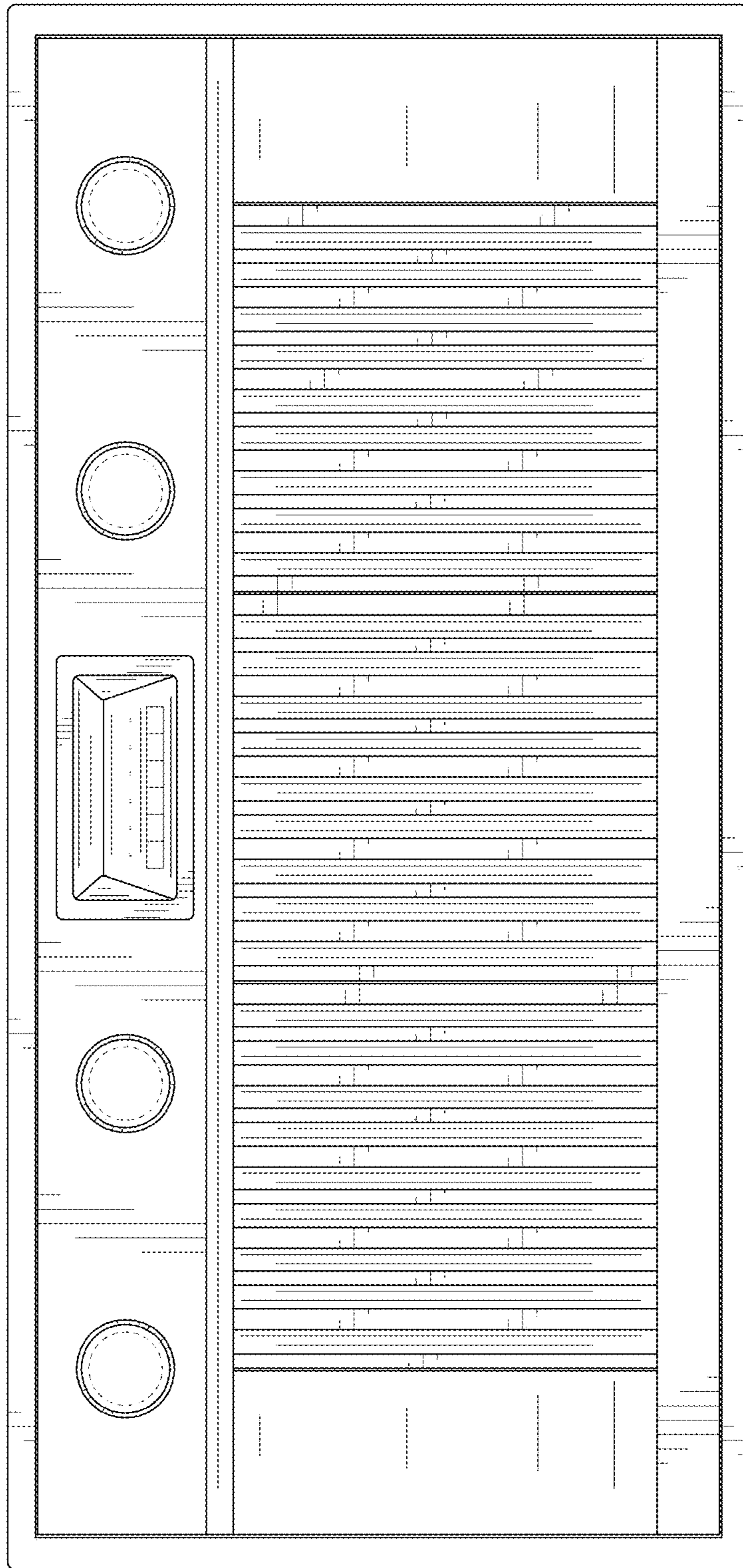


Fig. 5

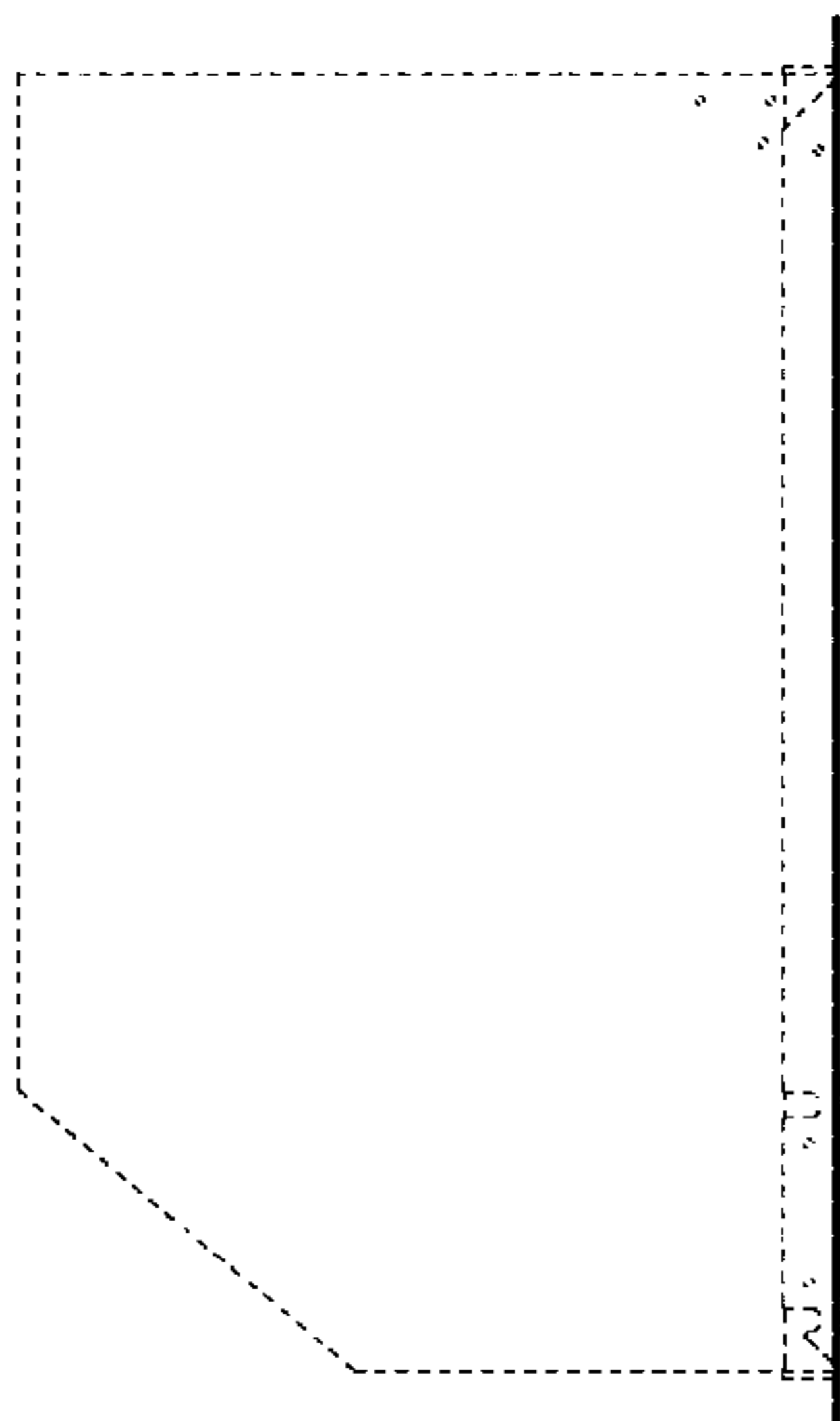


Fig. 6

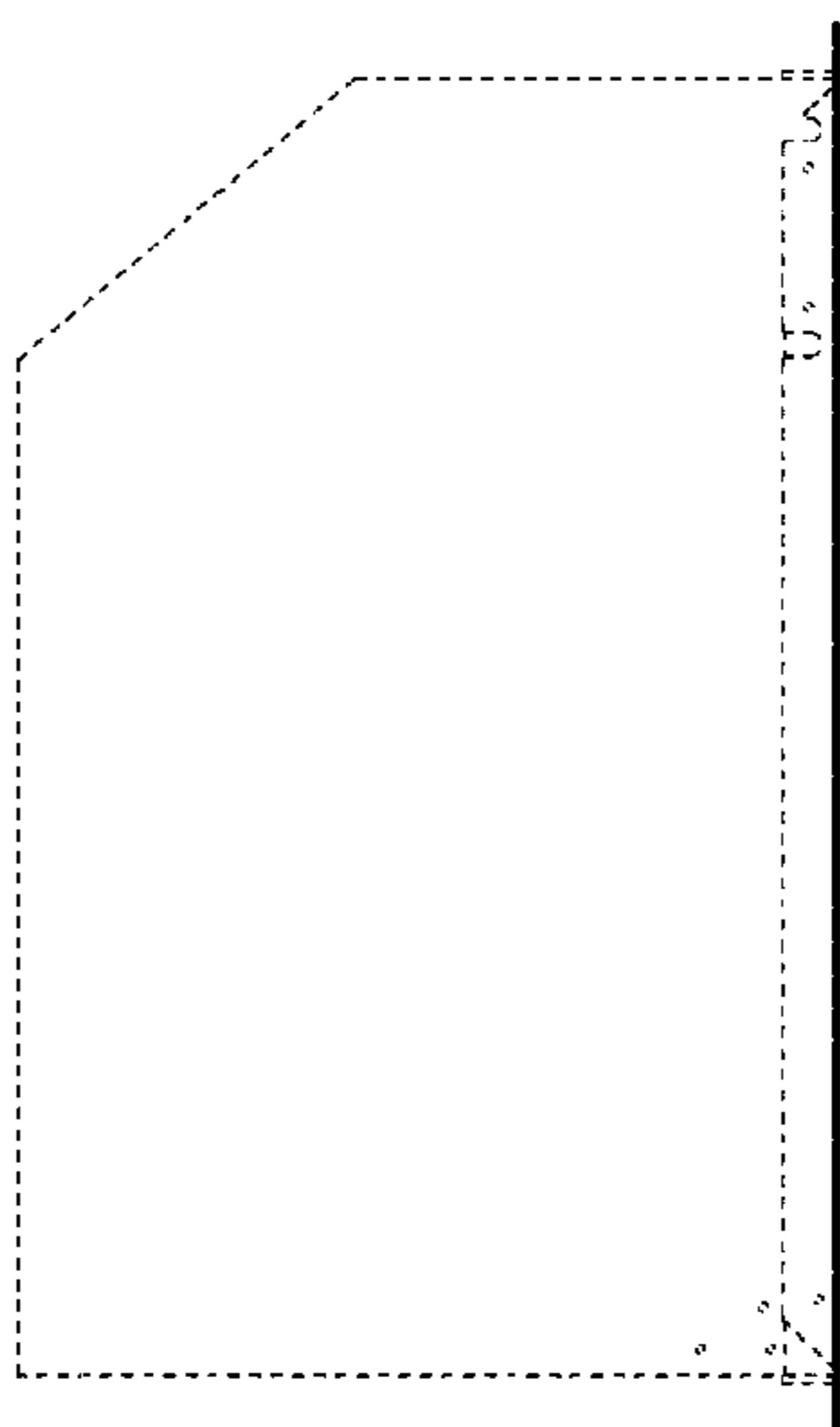


Fig. 7