

US00D684671S

(12) **United States Design Patent**
Betancourt et al.

(10) **Patent No.:** **US D684,671 S**
(45) **Date of Patent:** **** Jun. 18, 2013**

(54) **MOBILE ROOM SANITIZER**

(56)

References Cited

(75) Inventors: **Filiberto Betancourt**, North Hills, CA (US); **Richard A. Hayes**, Thousand Oaks, CA (US); **Ashish Mathur**, Santa Clarita, CA (US); **Rita H. Rivas**, Saugus, CA (US); **Lev V. Rotkop**, Encino, CA (US); **Aleksandr Shostak**, Northridge, CA (US); **David L. Witham**, Ventura, CA (US); **Jose Vasquez**, Sylmar, CA (US); **Peter Veloz**, Glendale, CA (US)

U.S. PATENT DOCUMENTS

D325,440	S	*	4/1992	Landis et al.	D24/185
D418,211	S	*	12/1999	Lundin	D23/332
D450,816	S	*	11/2001	Bilotti	D23/332
D452,301	S	*	12/2001	Schwartz et al.	D23/332
D472,623	S	*	4/2003	Bossler	D23/342
D585,991	S	*	2/2009	Helgeson et al.	D24/176
D590,978	S	*	4/2009	Wang et al.	D24/176
D595,823	S	*	7/2009	Parr	D23/360
D606,202	S	*	12/2009	Banryu	D24/185
D608,431	S	*	1/2010	Wang	D23/332
D626,238	S	*	10/2010	Zinnanti	D24/185
D633,187	S	*	2/2011	Fan	D23/333
D657,470	S	*	4/2012	Schon et al.	D24/186

* cited by examiner

(73) Assignee: **Ultraviolet Devices, Inc**, Valencia, CA (US)

Primary Examiner — David Muller

(**) Term: **14 Years**

(74) *Attorney, Agent, or Firm* — Law Office of David Hong

(21) Appl. No.: **29/411,263**

(57) **CLAIM**

The ornamental design for a mobile room sanitizer, as shown and described.

(22) Filed: **Jan. 18, 2012**

DESCRIPTION

(51) **LOC (9) Cl.** **23-04**

FIG. 1 is a perspective view of our new design for a mobile room sanitizer.

(52) **U.S. Cl.**

FIG. 2 is a front elevation view of FIG. 1.

USPC **D23/364**

FIG. 3 is a left side elevation view of FIG. 1.

(58) **Field of Classification Search**

USPC D23/355–366, 352, 369, 332, 333, D23/335, 336, 342, 351, 386; 422/120, 122; 55/356, 473, 504; 96/97; D14/188, 170, 172; 261/DIG. 17, DIG. 65, DIG. 88, DIG. 31; D18/34.6; D24/176, 177–179, 185, 186

FIG. 4 is a rear elevation view of FIG. 1.

FIG. 5 is a right side elevation view of FIG. 1.

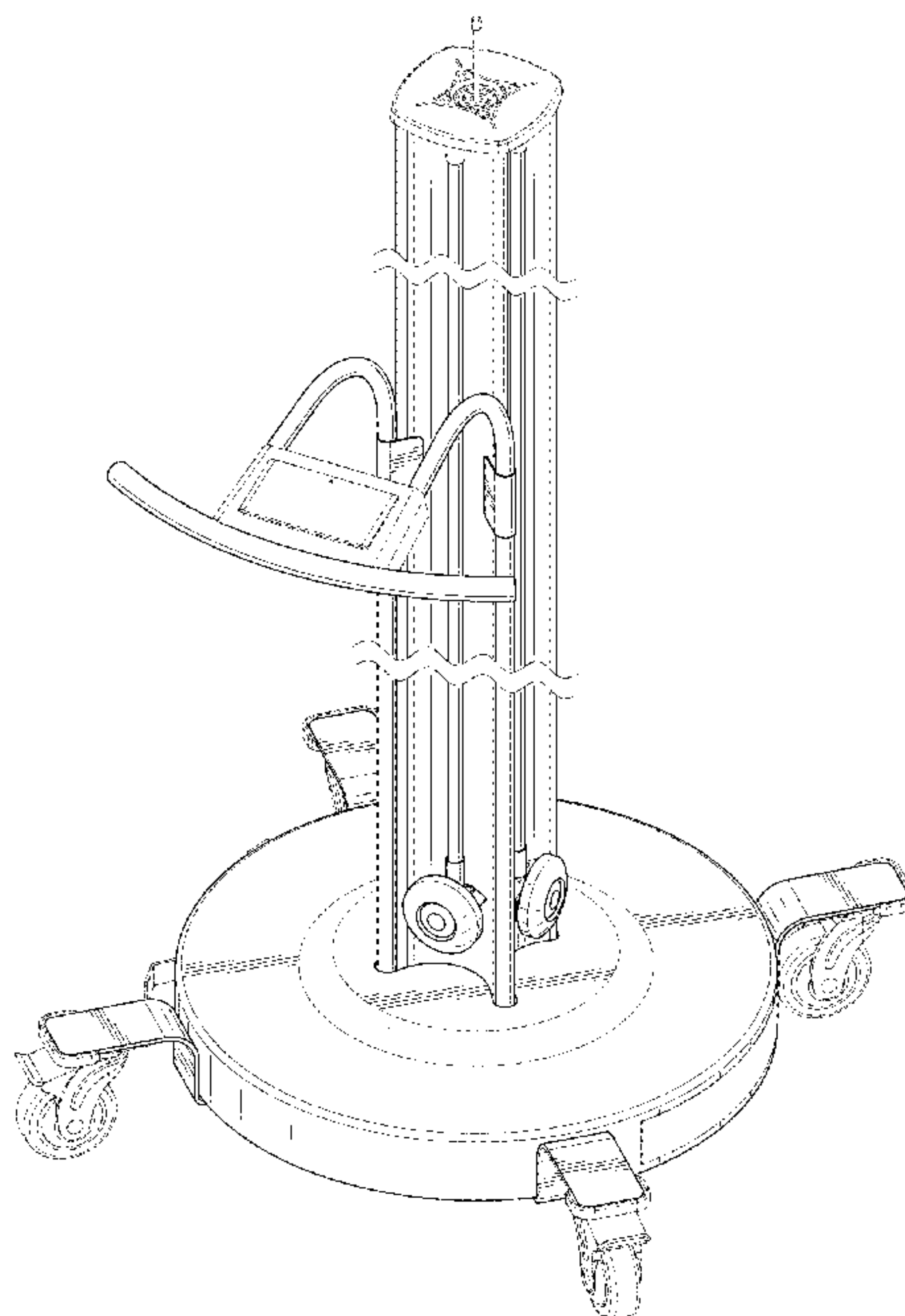
FIG. 6 is a top view of FIG. 1; and,

FIG. 7 is a bottom view of FIG. 1.

In FIGS. 1-7, the broken lines are included for the purpose of illustrating environment and form no part of the claimed design. The dash-dot break lines in the vertical column indicate that no particular length is claimed.

See application file for complete search history.

1 Claim, 7 Drawing Sheets



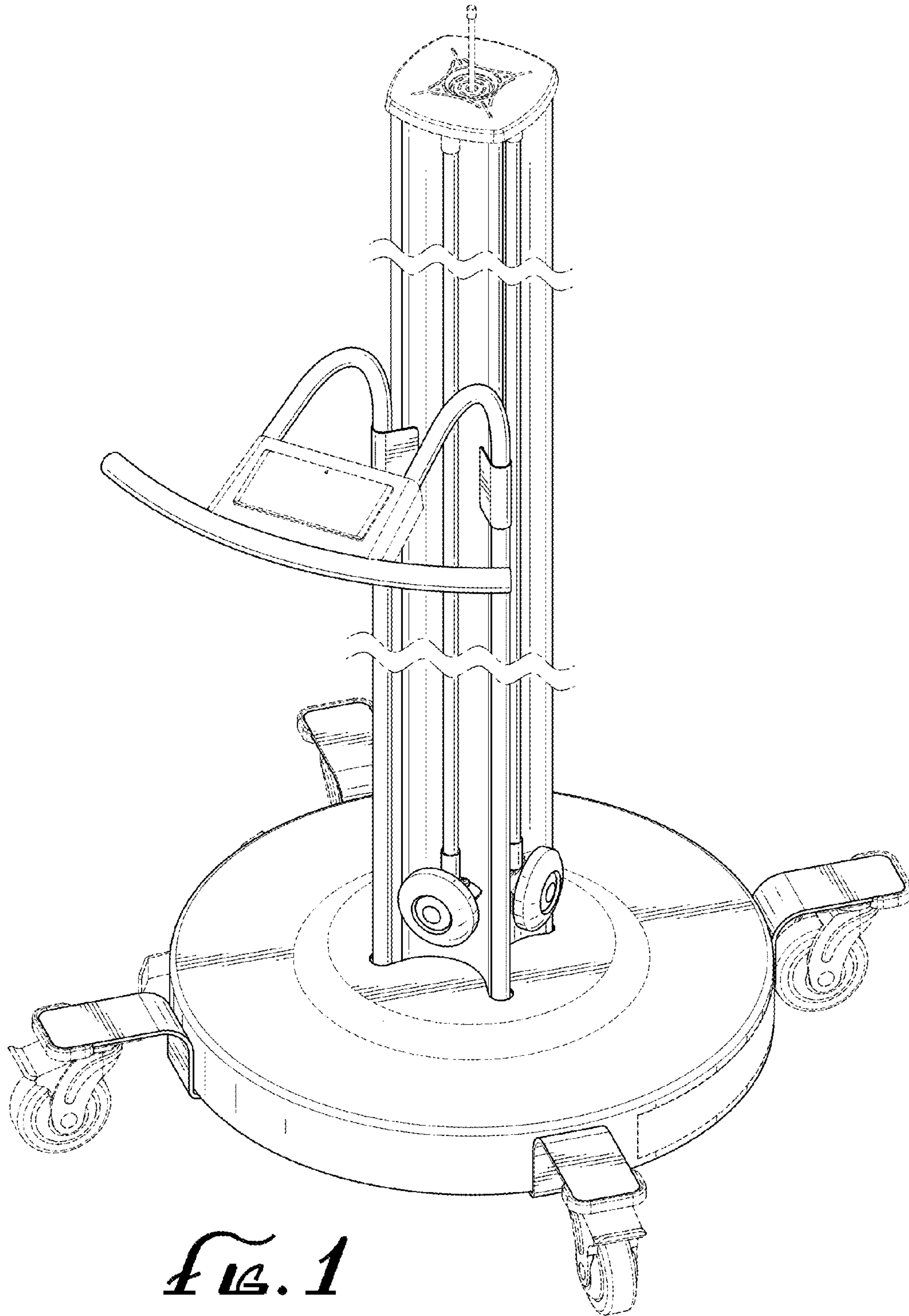


FIG. 1

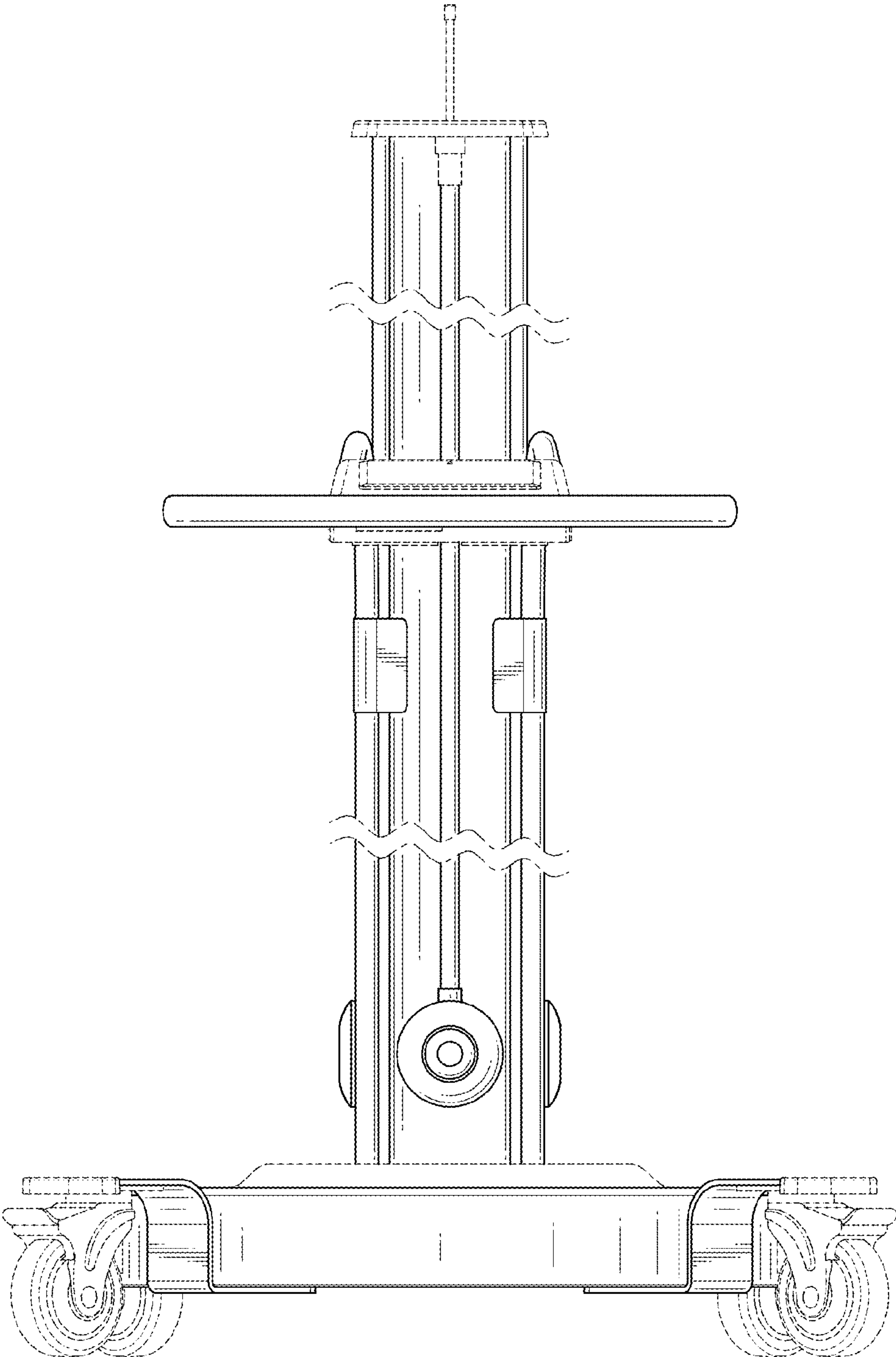


FIG. 2

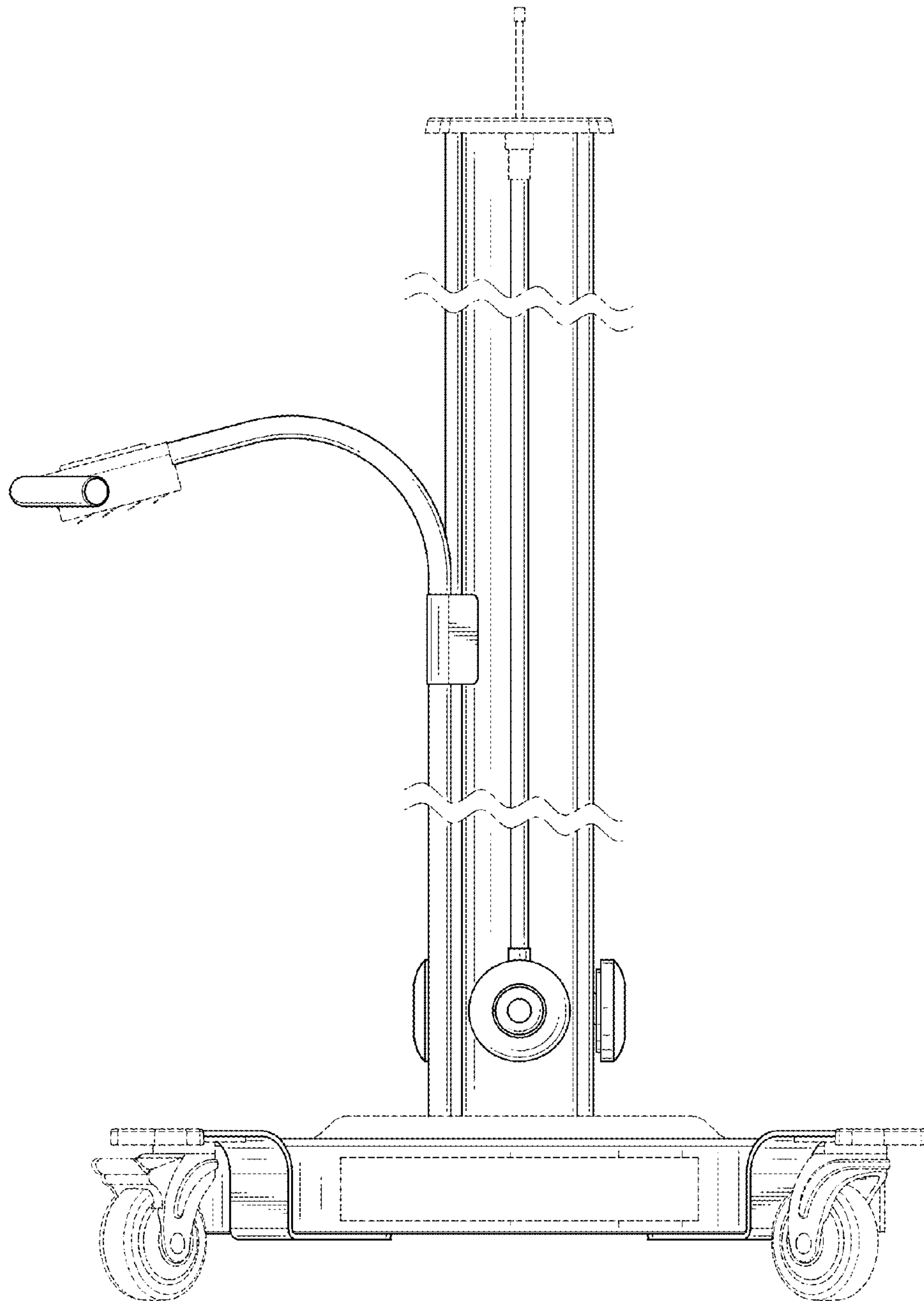


FIG. 3

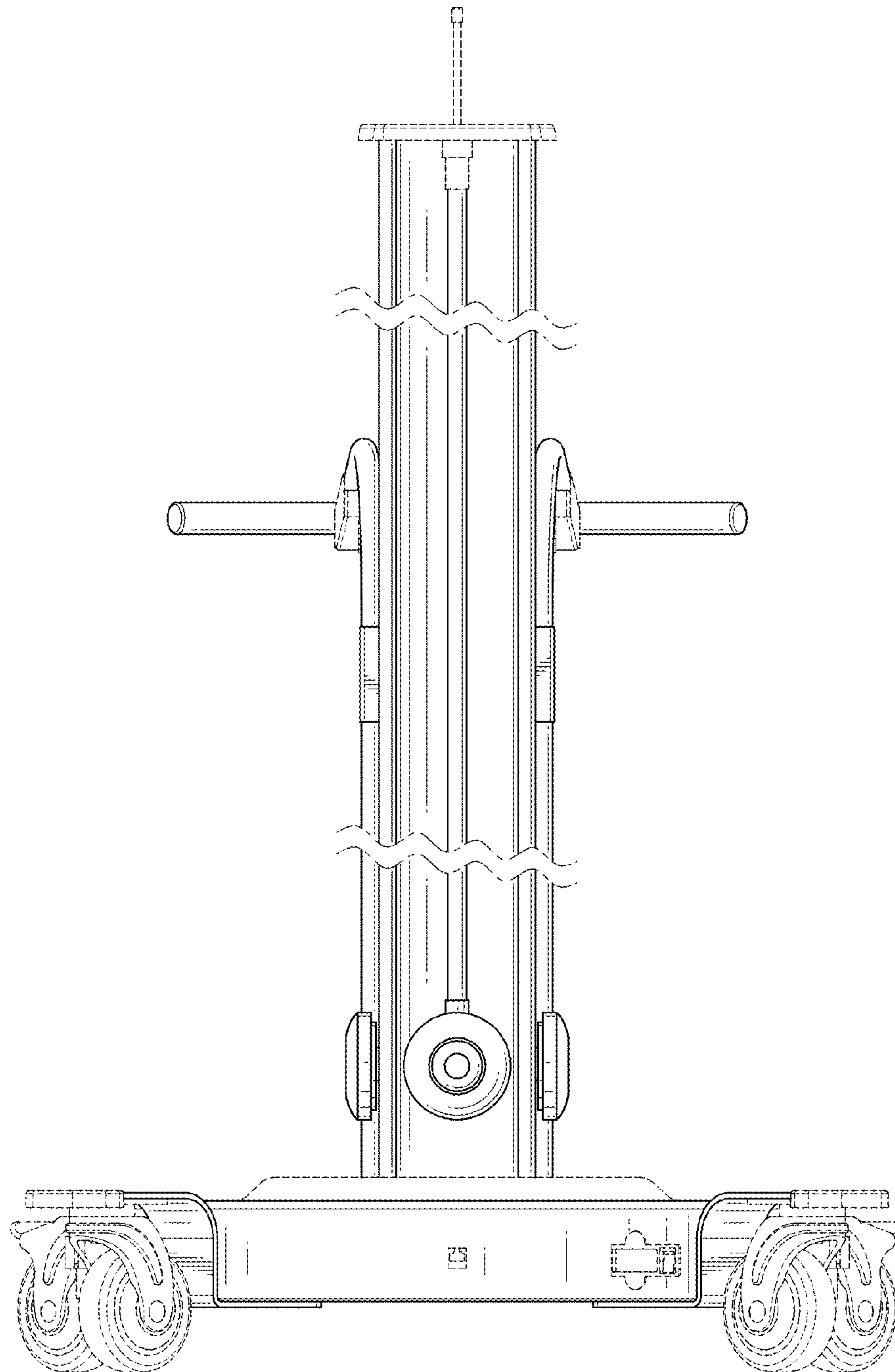


FIG. 4

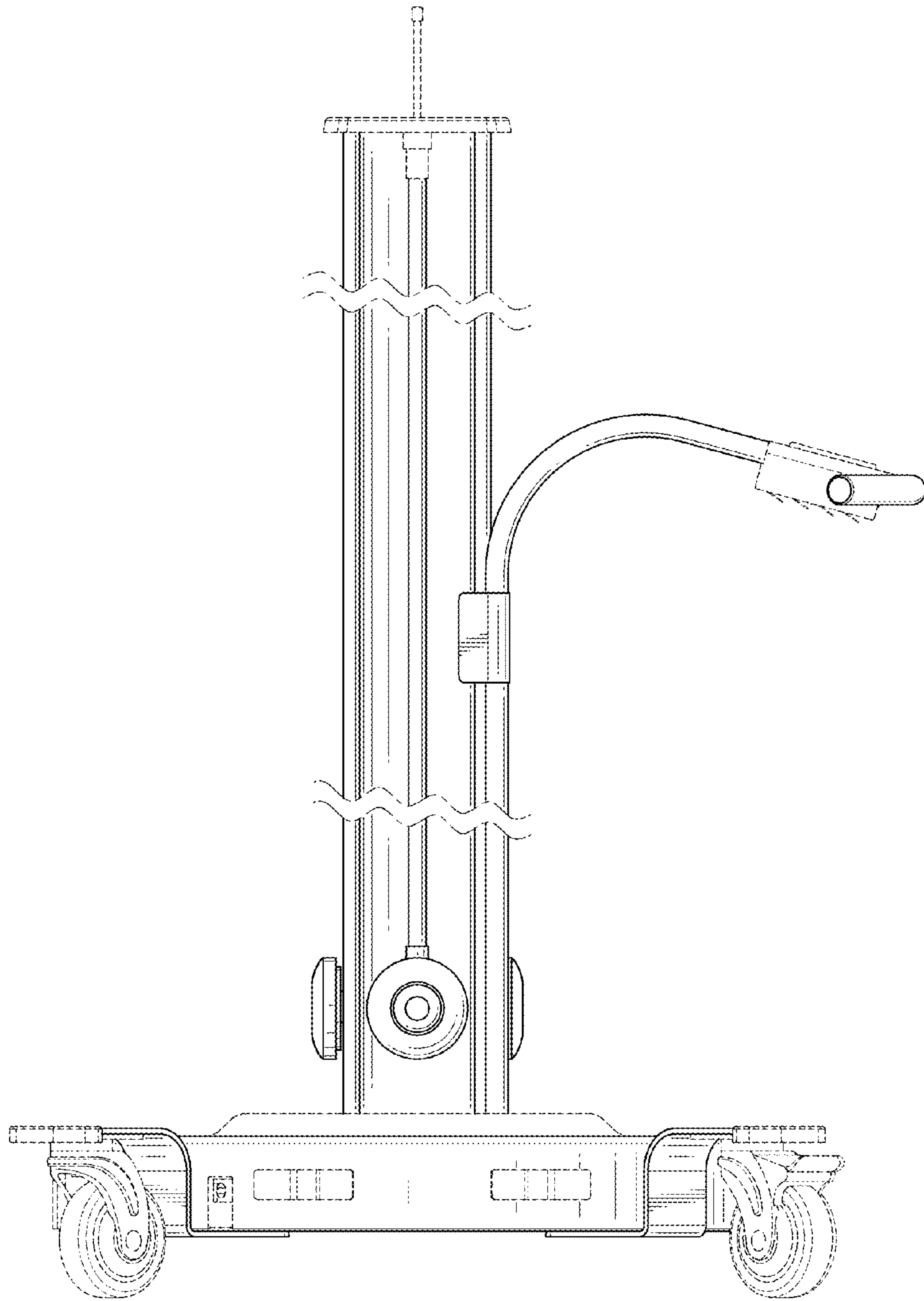


FIG. 5

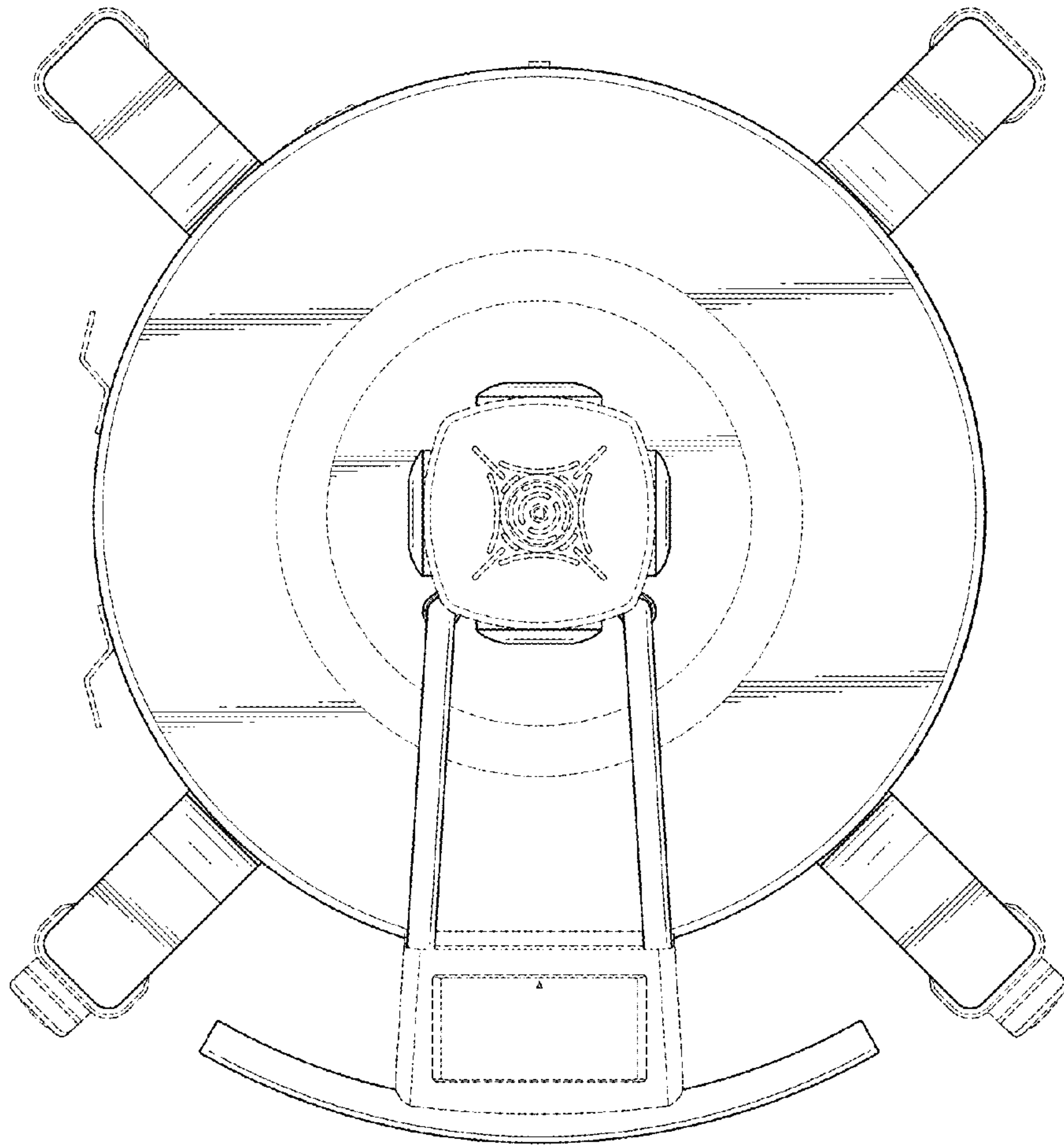


FIG. 6

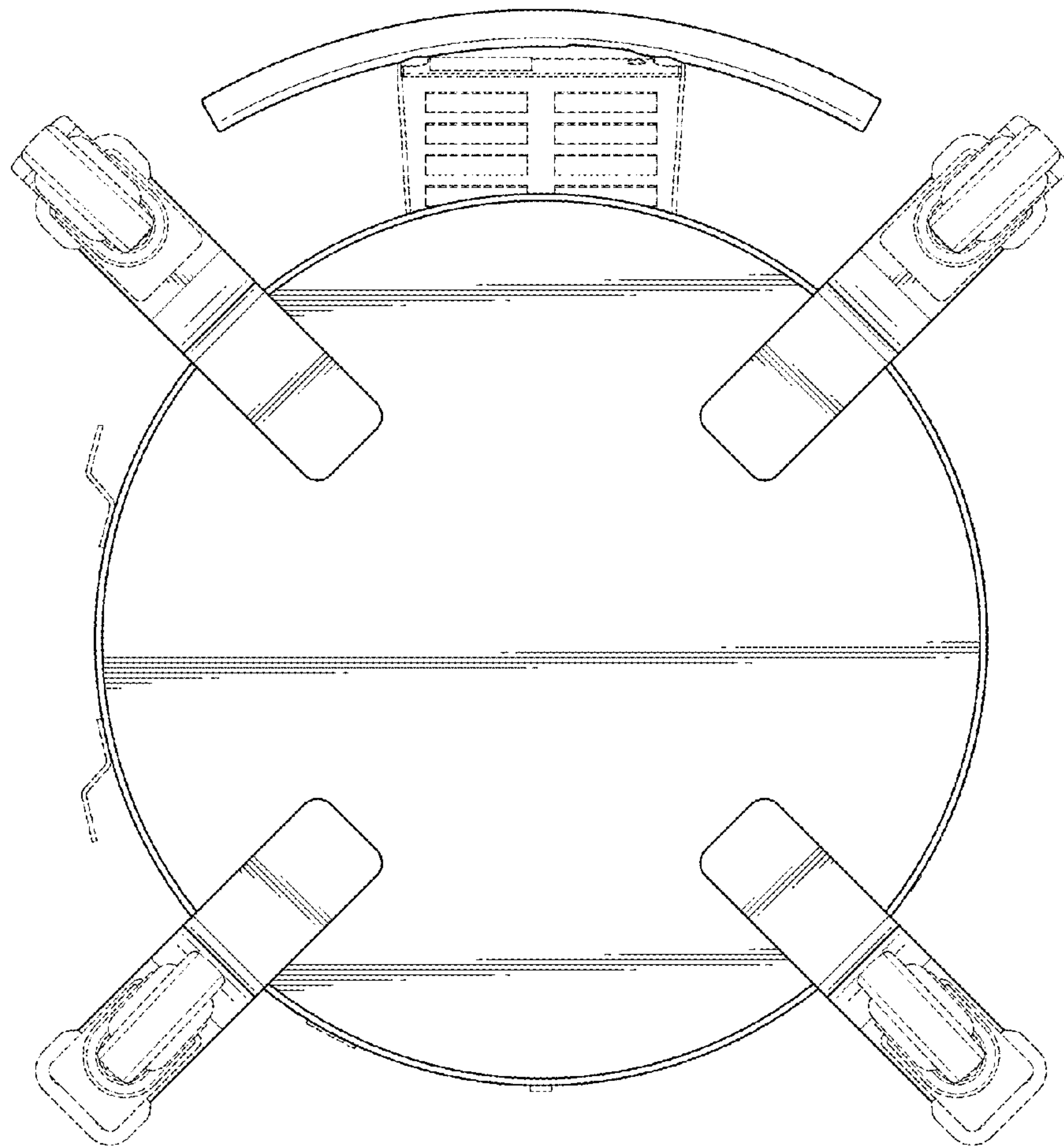


FIG. 7