



US00D684670S

(12) **United States Design Patent**
Hanus et al.

(10) **Patent No.:** **US D684,670 S**
(45) **Date of Patent:** **** Jun. 18, 2013**

(54) **FAUCET SPOUT**

(75) Inventors: **Kate Hanus**, Elizabeth, IN (US); **Thad James Eads**, Lagro, IN (US)

(73) Assignee: **Masco Corporation of Indiana**, Indianapolis, IN (US)

(**) Term: **14 Years**

(21) Appl. No.: **29/417,966**

(22) Filed: **Apr. 11, 2012**

(51) **LOC (9) Cl.** **23-01**

(52) **U.S. Cl.**
USPC **D23/255**

(58) **Field of Classification Search**
USPC D23/238-243, 255, 257; 4/675-678;
137/801

See application file for complete search history.

(56) **References Cited**

U.S. PATENT DOCUMENTS

D642,240 S * 7/2011 Flowers et al. D23/255

* cited by examiner

Primary Examiner — Robert Delehanty

(74) *Attorney, Agent, or Firm* — Edgar A. Zarins; Nirav D. Parikh

(57) **CLAIM**

The ornamental design for a faucet spout, as shown and described.

DESCRIPTION

FIG. 1 is a perspective view of a faucet spout showing our new design;

FIG. 2 is a top plan view thereof;

FIG. 3 is a right side view thereof, the opposite side being a mirror image of the side shown;

FIG. 4 is a front elevational view thereof;

FIG. 5 is a rear view thereof; and,

FIG. 6 is a bottom view thereof.

1 Claim, 1 Drawing Sheet

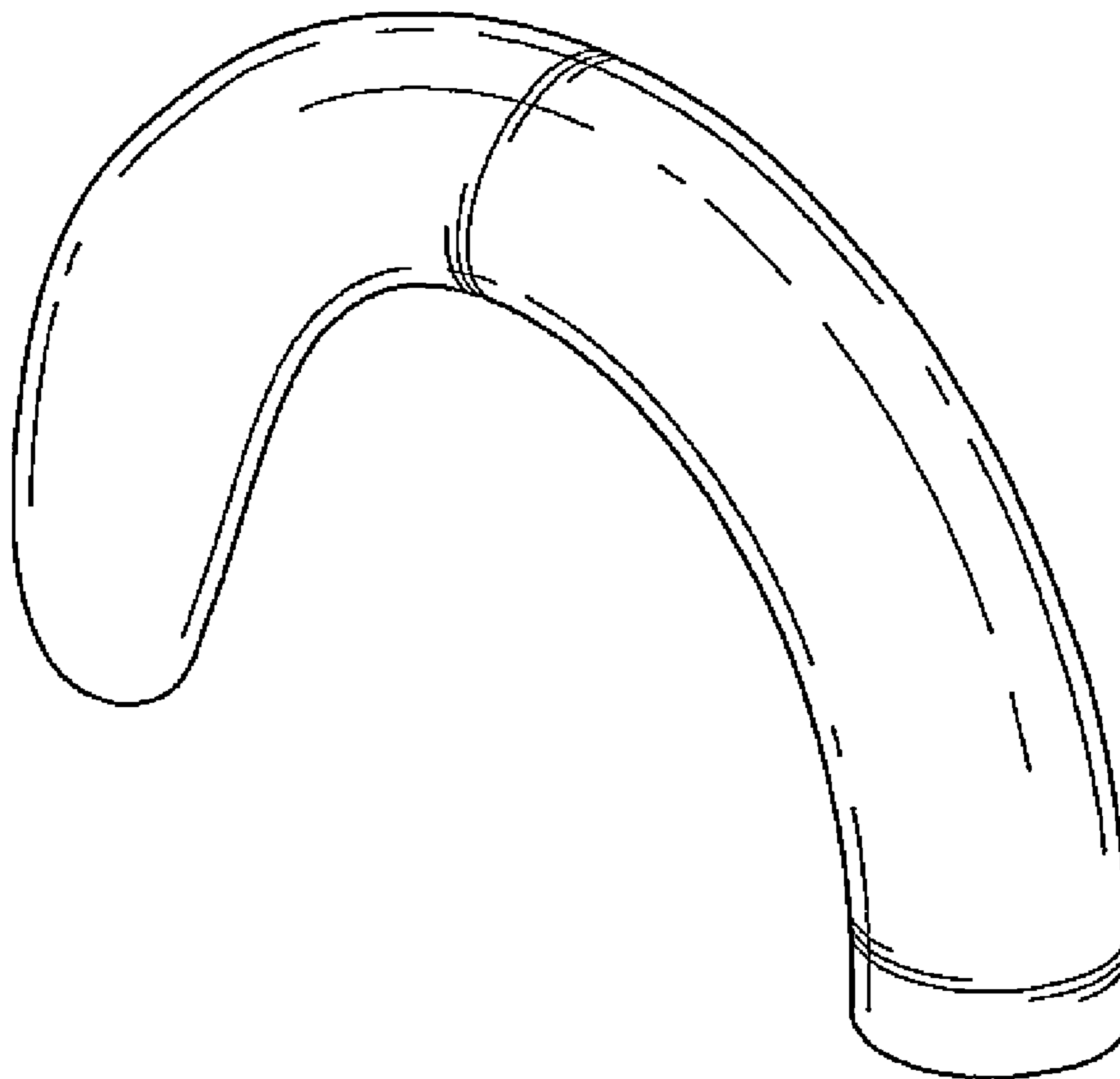


Fig-1

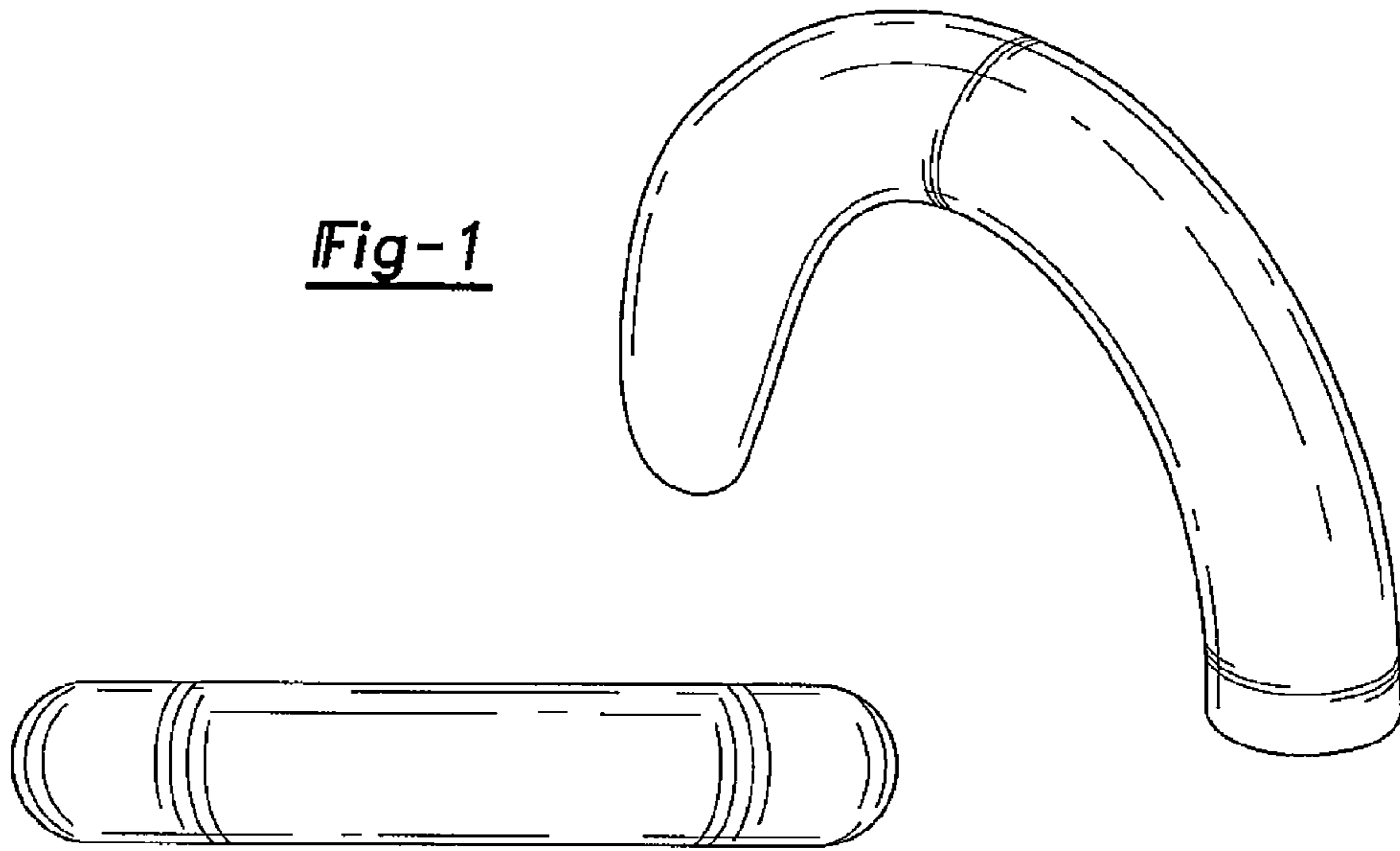


Fig-2

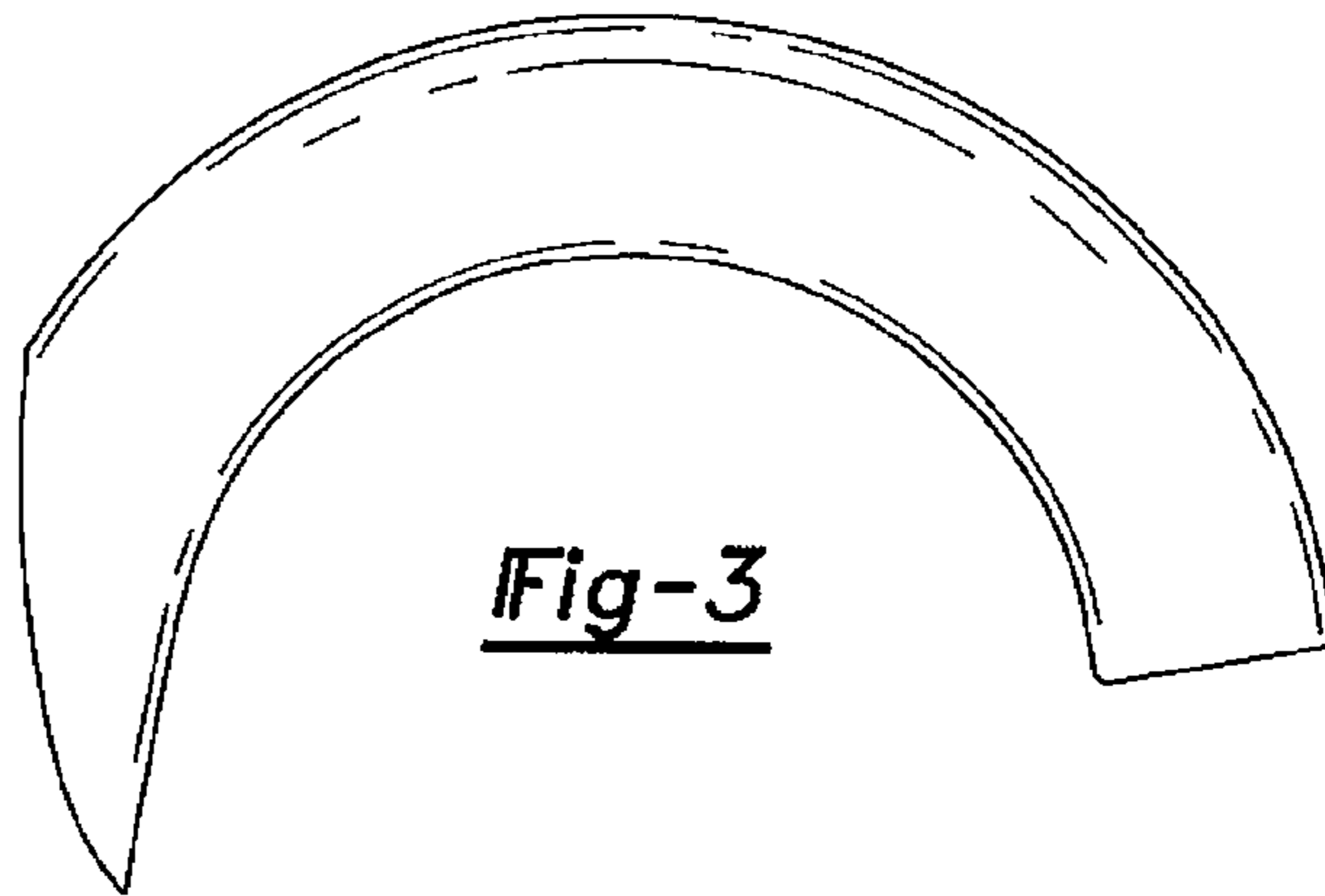


Fig-3

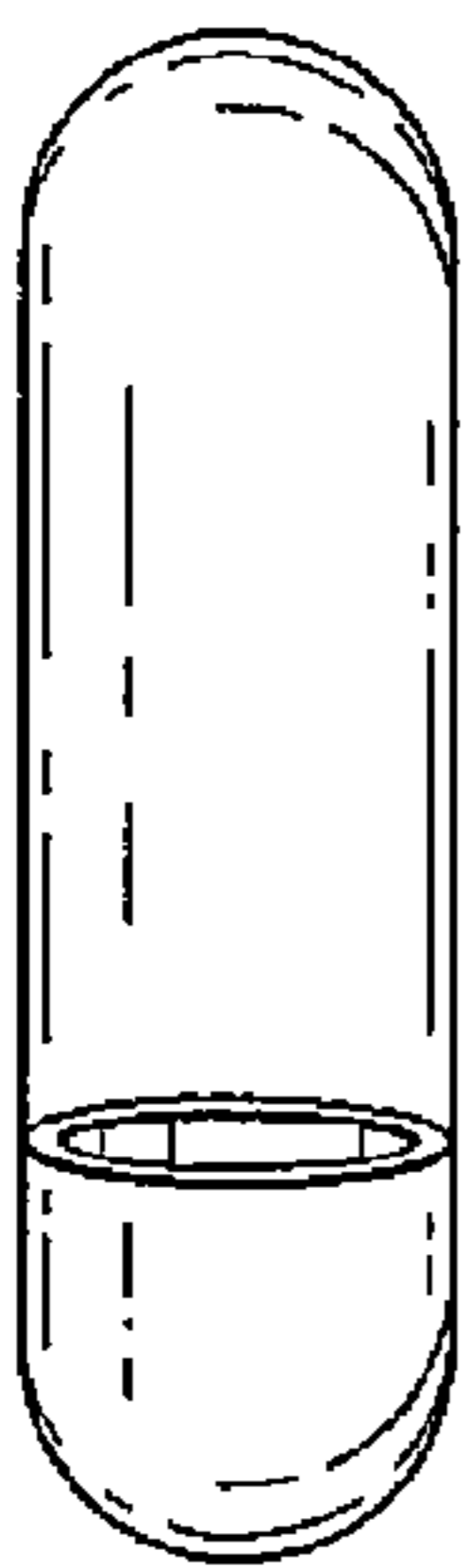


Fig-4

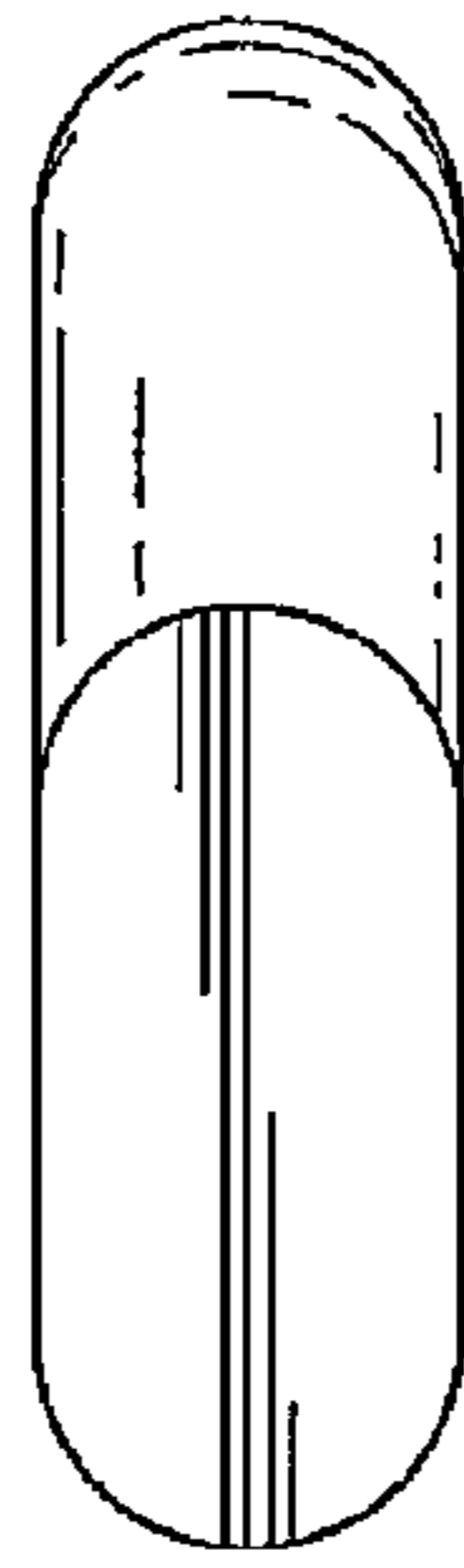


Fig-5

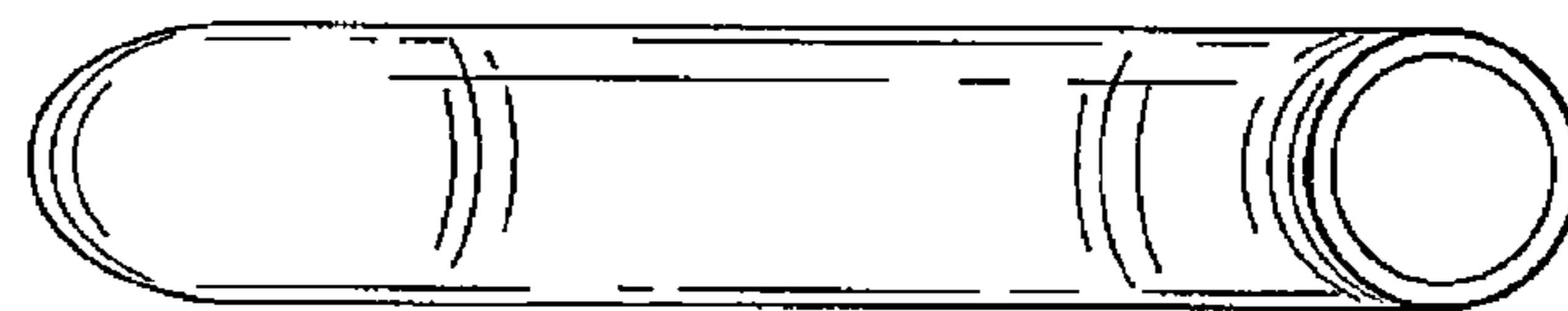


Fig-6