



US00D684668S

(12) **United States Design Patent**
Yu

(10) **Patent No.:** **US D684,668 S**
(45) **Date of Patent:** **** Jun. 18, 2013**

(54) **FAUCET**

D673,651 S * 1/2013 Uhl D23/238

(75) Inventor: **Guang Yu**, Hangzhou (CN)

* cited by examiner

(73) Assignee: **Yatin Bath Corporation**, Hangzhou, Zhejiang Province (CN)

Primary Examiner — Robert Delehanty

(74) *Attorney, Agent, or Firm* — Jacobson Holman PLLC; Jiwen Chen

(**) Term: **14 Years**

(57) **CLAIM**

(21) Appl. No.: **29/422,278**

I claim the ornamental design for the faucet, as shown and described.

(22) Filed: **May 18, 2012**

DESCRIPTION

(51) **LOC (9) Cl.** **23-01**

(52) **U.S. Cl.**
USPC **D23/242**

(58) **Field of Classification Search**
USPC D23/238, 241–243, 250, 252, 255,
D23/257; 4/675–678; 137/801
See application file for complete search history.

FIG. 1 is a perspective view of the faucet showing the design; FIG. 2 is a front elevational view thereof; FIG. 3 is a rear elevational view thereof; FIG. 4 is a right side elevational view thereof, the left side elevational view of the design being a mirror image of the right side elevational view; and, FIG. 5 is a top plan view thereof.

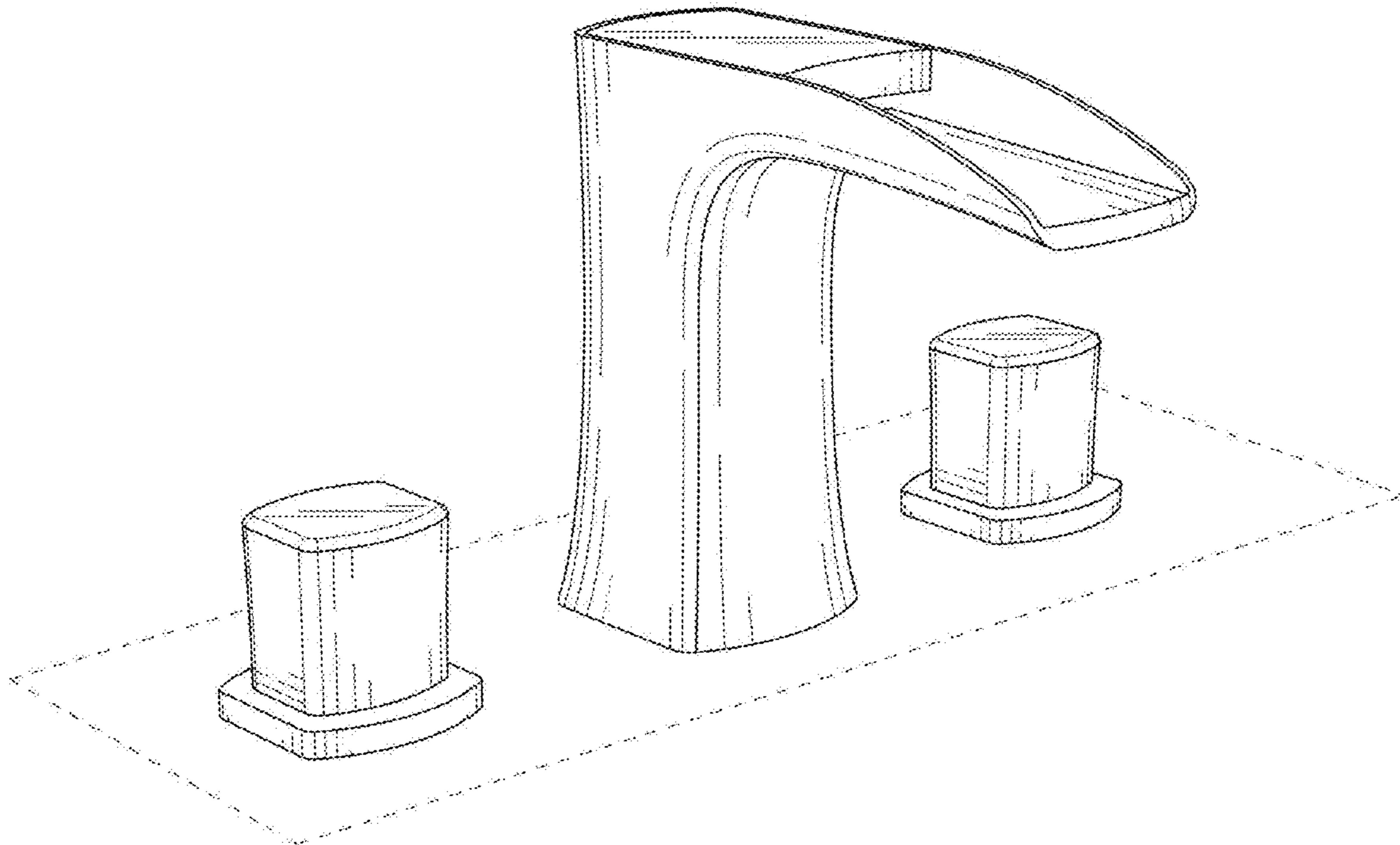
The broken lines in the drawing show the environmental structure that forms no part of the design to be patented.

(56) **References Cited**

U.S. PATENT DOCUMENTS

D301,056 S * 5/1989 Paul D23/242

1 Claim, 5 Drawing Sheets



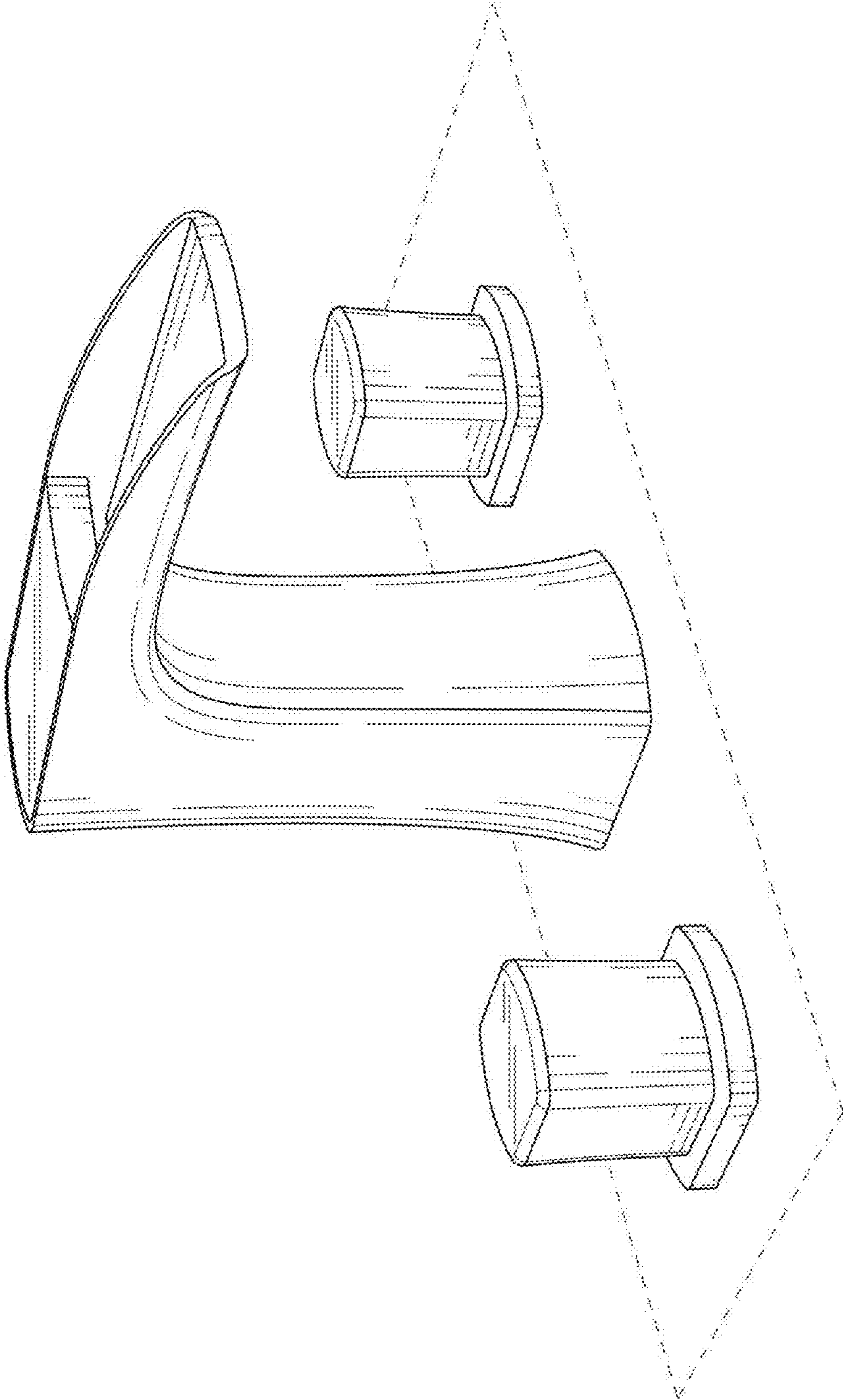


FIG. 1

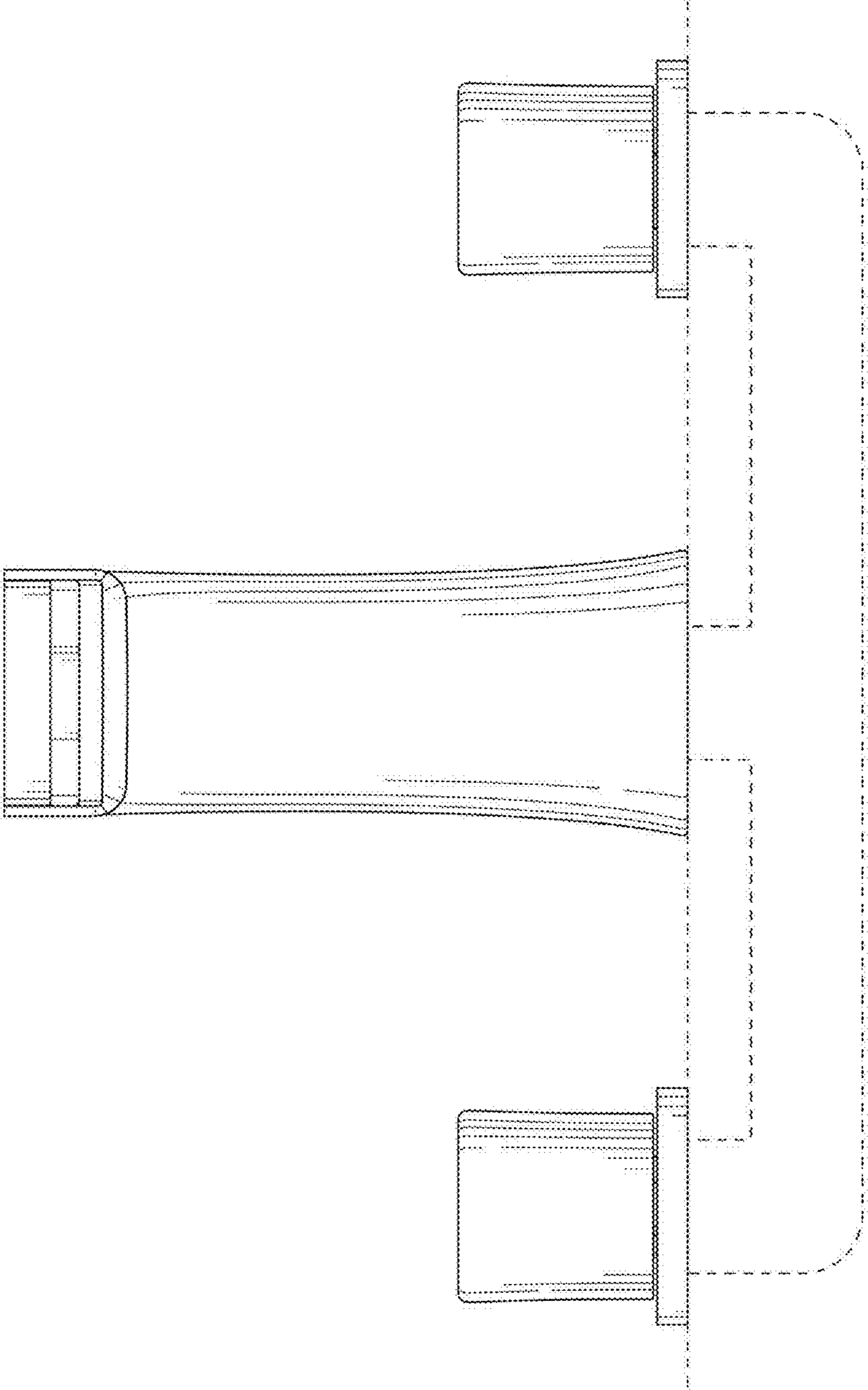


FIG. 2

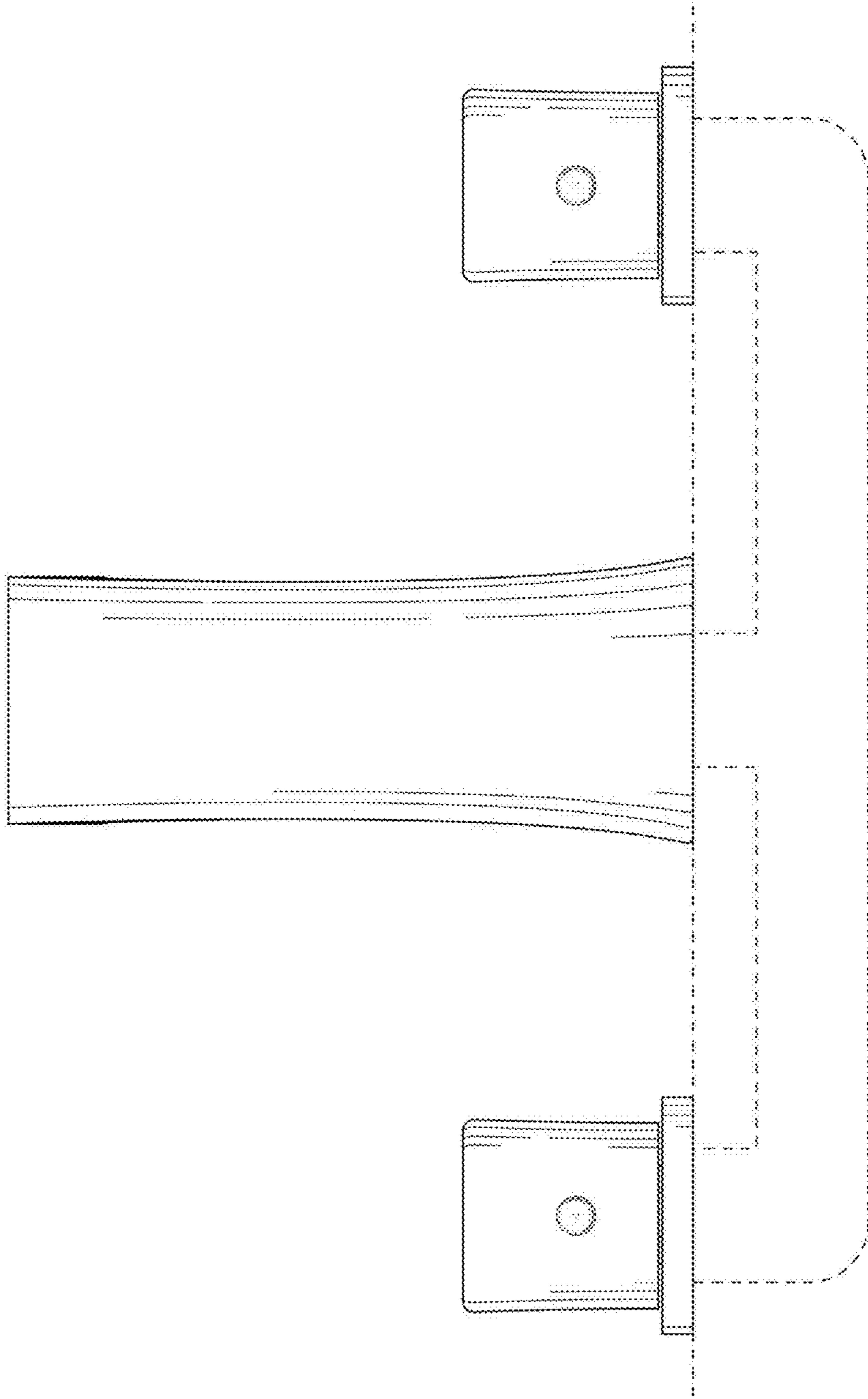


FIG. 3

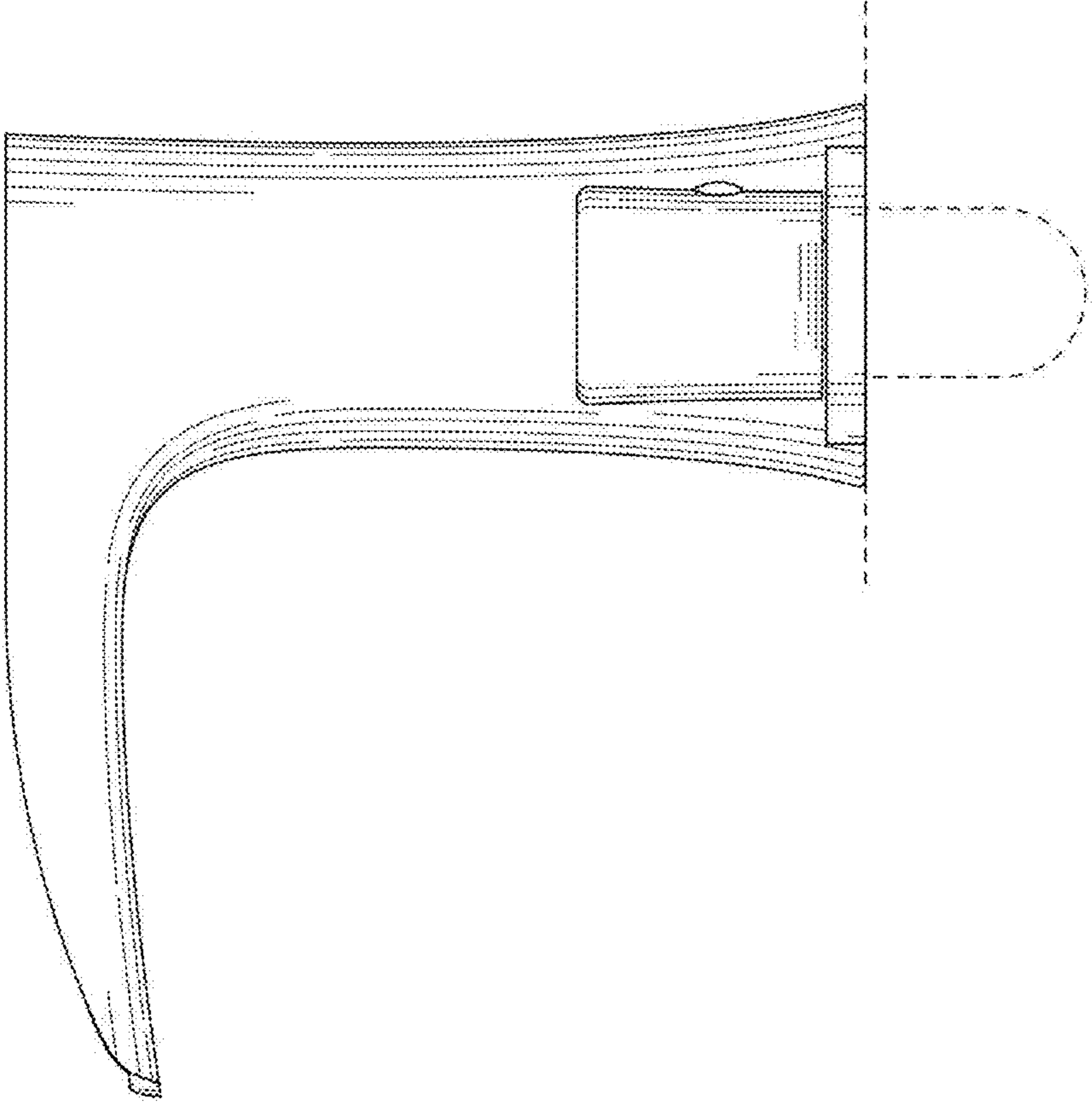


FIG. 4

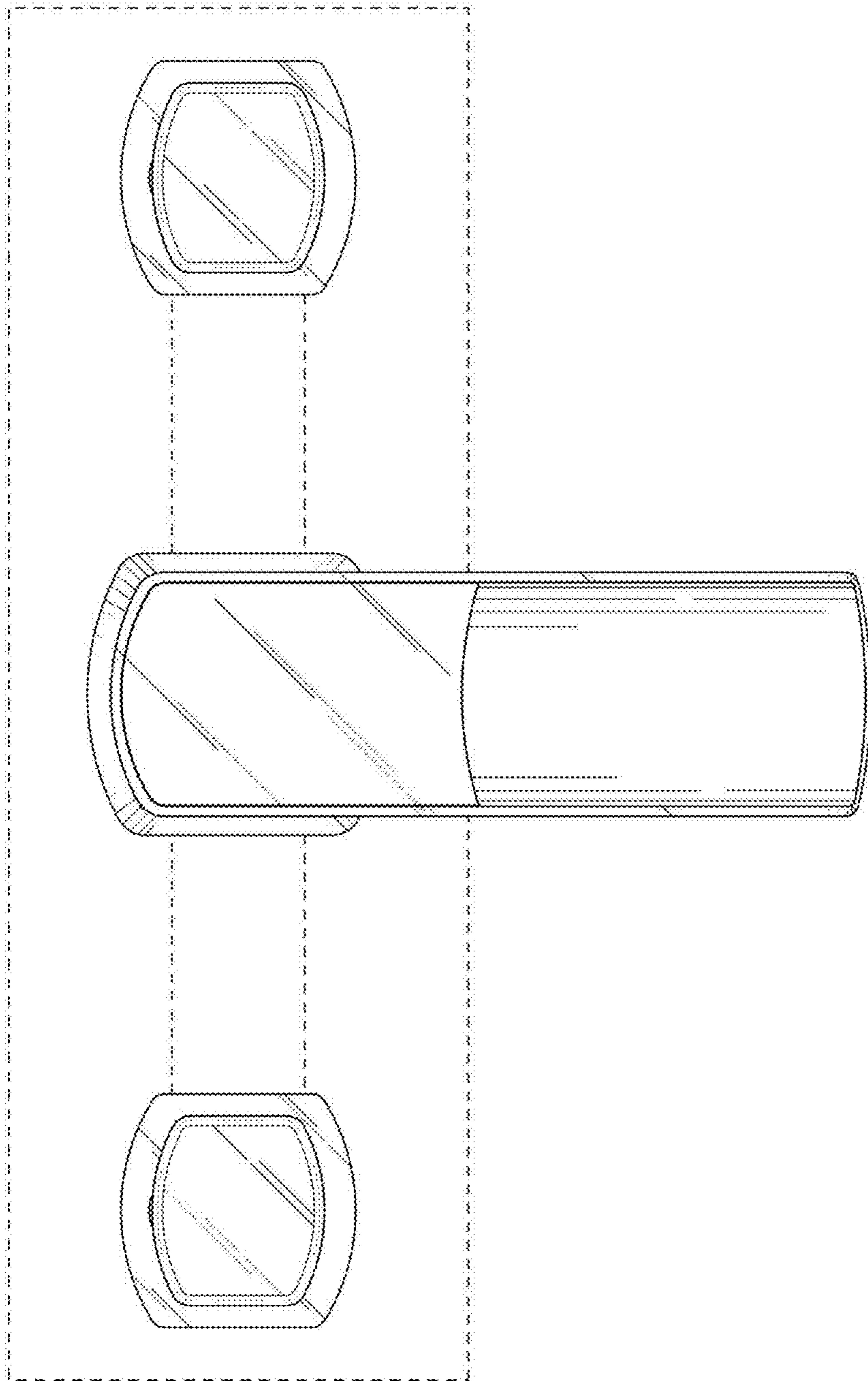


FIG. 5