



US00D684663S

(12) **United States Design Patent**
Sichien et al.

(10) **Patent No.:** **US D684,663 S**
(45) **Date of Patent:** **** Jun. 18, 2013**

(54) **FOAM GUN**

(75) Inventors: **Lieven Sichien**, Overmere (BE);
Jean-Marie Poppe, Heule (BE)

(73) Assignee: **Altachem NV** (BE)

(**) Term: **14 Years**

(21) Appl. No.: **29/423,200**

(22) Filed: **May 30, 2012**

(30) **Foreign Application Priority Data**

May 15, 2012 (EP) 002042051

(51) **LOC (9) Cl.** **23-01**

(52) **U.S. Cl.**
USPC **D23/226**

(58) **Field of Classification Search**
USPC D23/213, 223, 226; D8/14.1; 118/300,
118/308; 239/525, 526

See application file for complete search history.

(56) **References Cited**

U.S. PATENT DOCUMENTS

D567,903	S	*	4/2008	Rigolio	D23/226
D568,963	S	*	5/2008	Rigolio	D23/226
D574,464	S	*	8/2008	Rigolio	D23/226
D642,660	S	*	8/2011	Sichien et al.	D23/226
D664,237	S	*	7/2012	Sichien et al.	D23/226

* cited by examiner

Primary Examiner — Robin V Webster

(74) *Attorney, Agent, or Firm* — Symbus Law Group, LLC;
Clifford D. Hyra

(57) **CLAIM**

The ornamental design for a foam gun, as shown and described.

DESCRIPTION

FIG. 1 is a top view of a foam gun.
FIG. 2 is a bottom view of a foam gun.
FIG. 3 is a perspective view of a foam gun showing the front and right side.
FIG. 4 is a rear view of a foam gun; and,
FIG. 5 is a left side view of a foam gun.

1 Claim, 5 Drawing Sheets

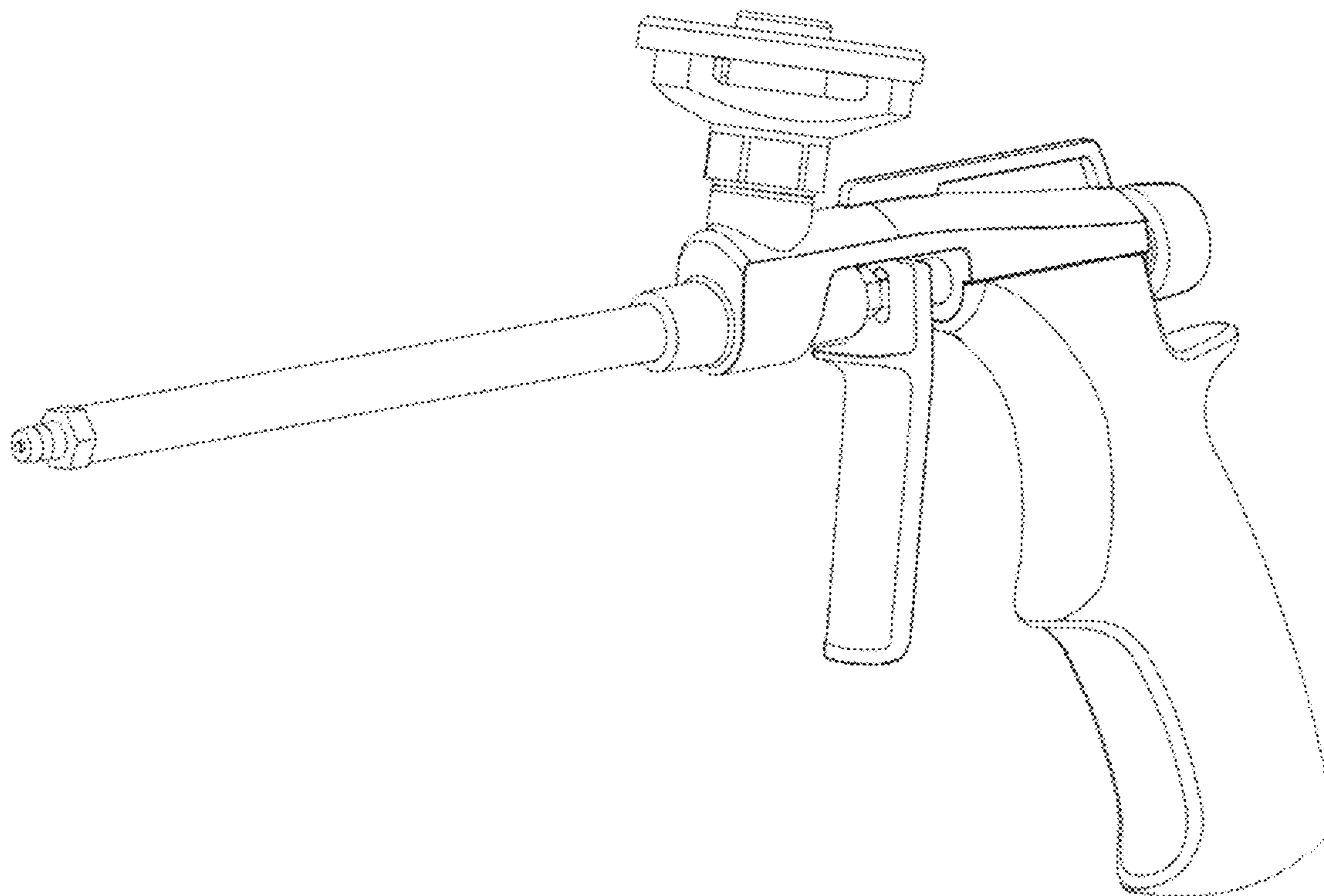


FIG. 1

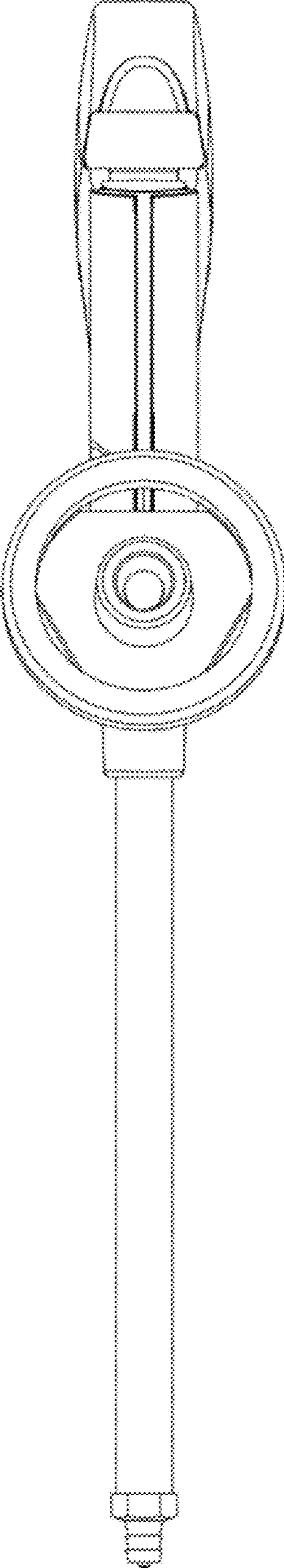
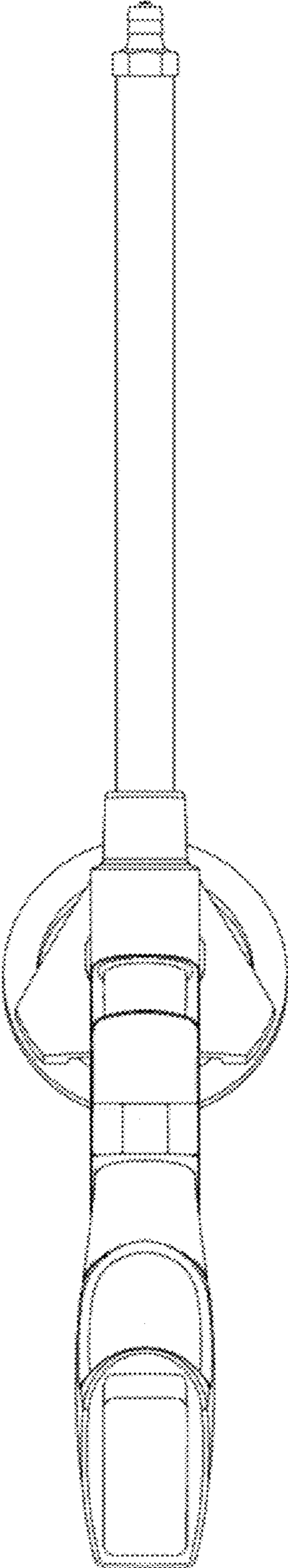


FIG. 2



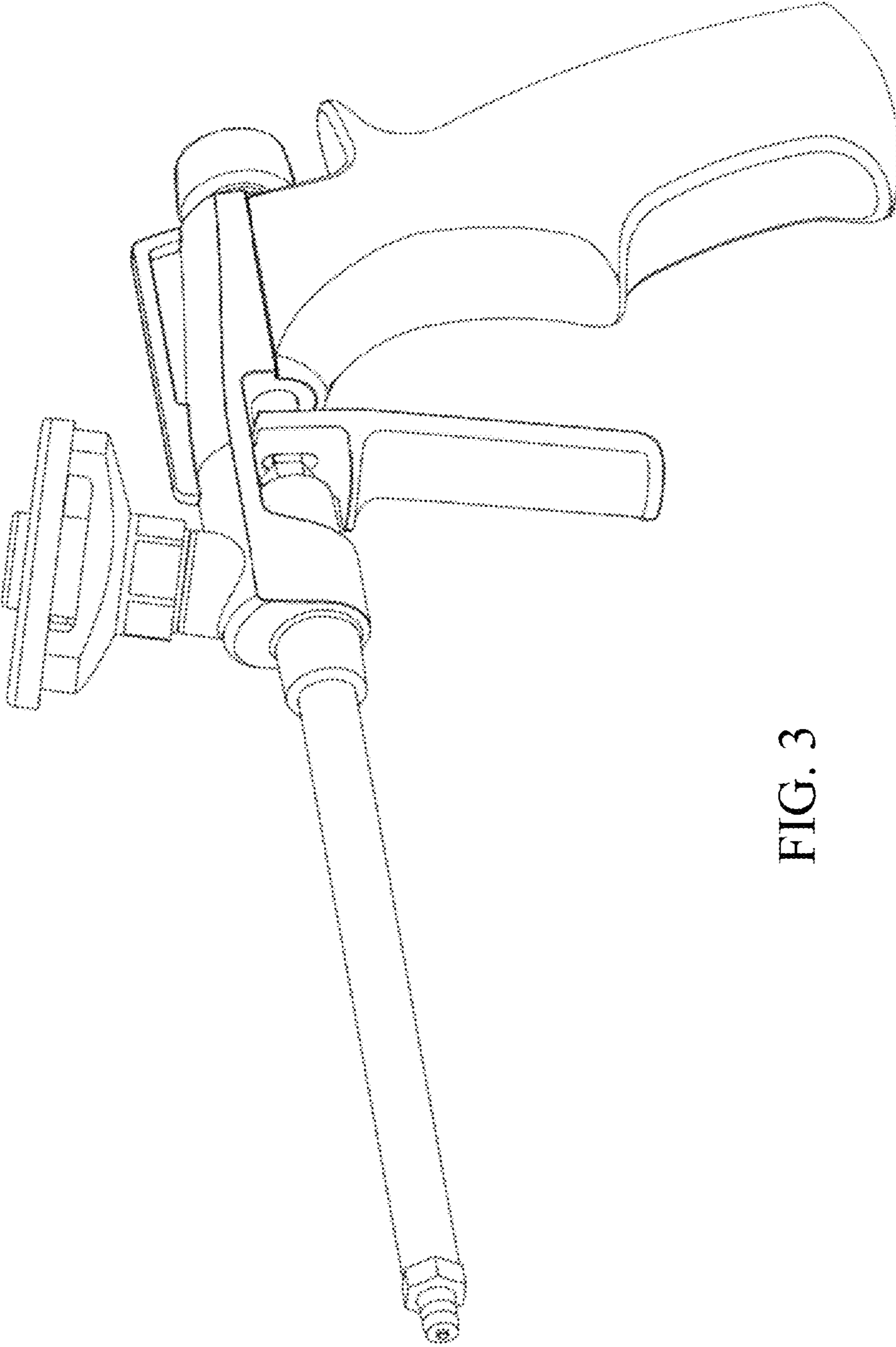
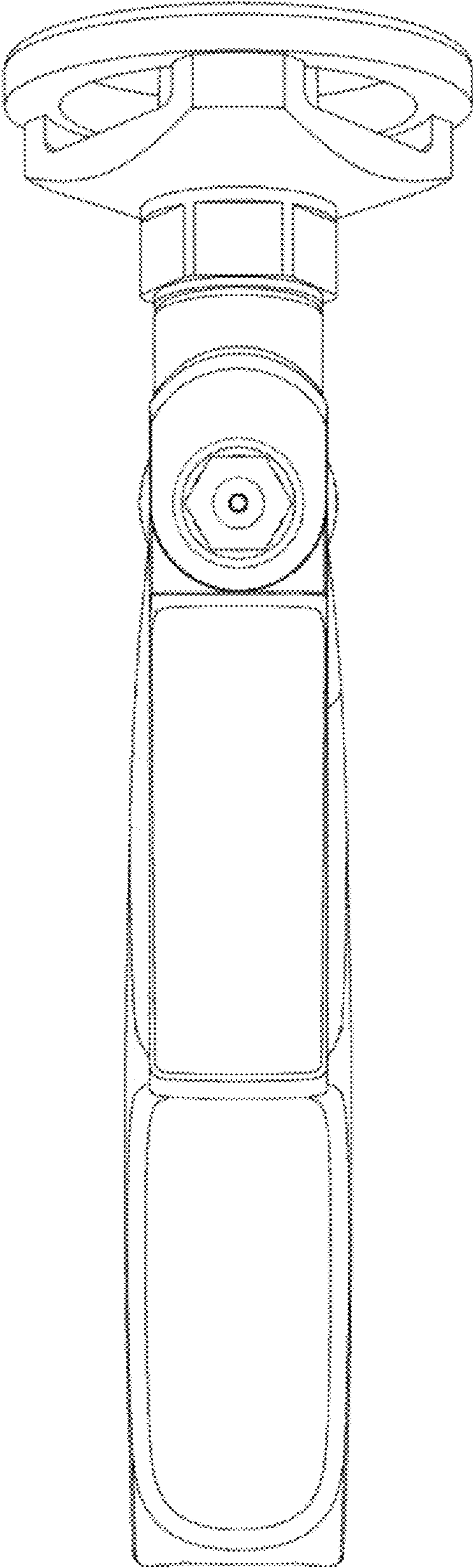


FIG. 3

FIG. 4



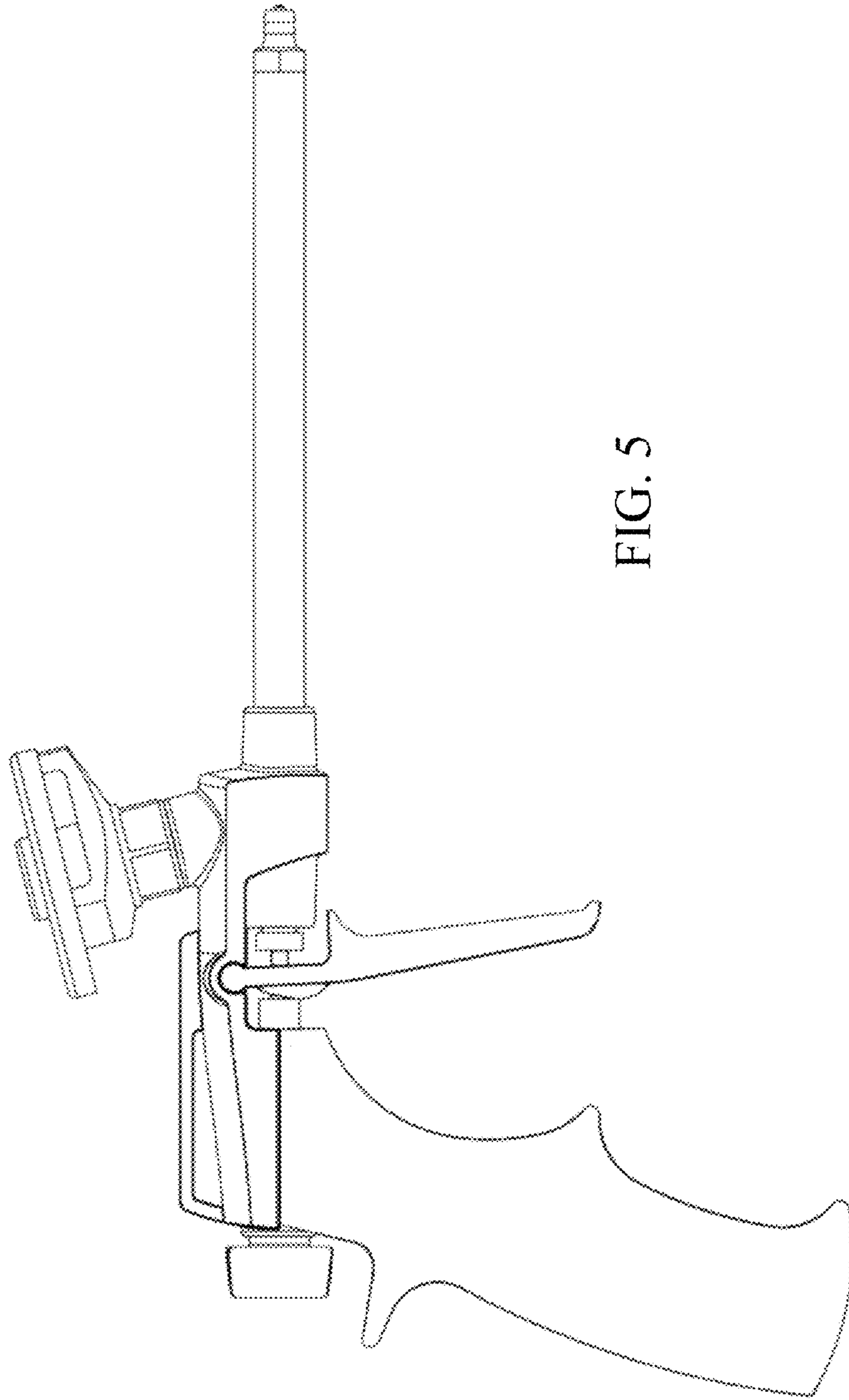


FIG. 5