



US00D684662S

(12) **United States Design Patent**
Cordani

(10) **Patent No.:** **US D684,662 S**
(45) **Date of Patent:** **** Jun. 18, 2013**

(54) **FIREHOSE HANDHELD EDUCTOR NOZZLE**

(75) Inventor: **Peter Cordani**, Palm Beach Gardens, FL
(US)

(73) Assignee: **GelTech Solutions, Inc.**, Jupiter, FL
(US)

(**) Term: **14 Years**

(21) Appl. No.: **29/430,431**

(22) Filed: **Aug. 24, 2012**

(51) **LOC (9) Cl.** **23-01**

(52) **U.S. Cl.**
USPC **D23/223**

(58) **Field of Classification Search**
USPC D23/213, 223, 226; 239/526, 532,
239/459, 458; 169/70
See application file for complete search history.

(56) **References Cited**

U.S. PATENT DOCUMENTS

3,282,511 A * 11/1966 Barton 239/459
D291,113 S * 7/1987 Bauer D23/226

D337,370 S * 7/1993 Spriggs et al. D23/223
D358,195 S * 5/1995 Tsai D23/213
5,577,561 A * 11/1996 Cook 169/70
D617,416 S * 6/2010 Chen D23/223

* cited by examiner

Primary Examiner — Robin V Webster

(74) *Attorney, Agent, or Firm* — McHale & Slavin, P.A.

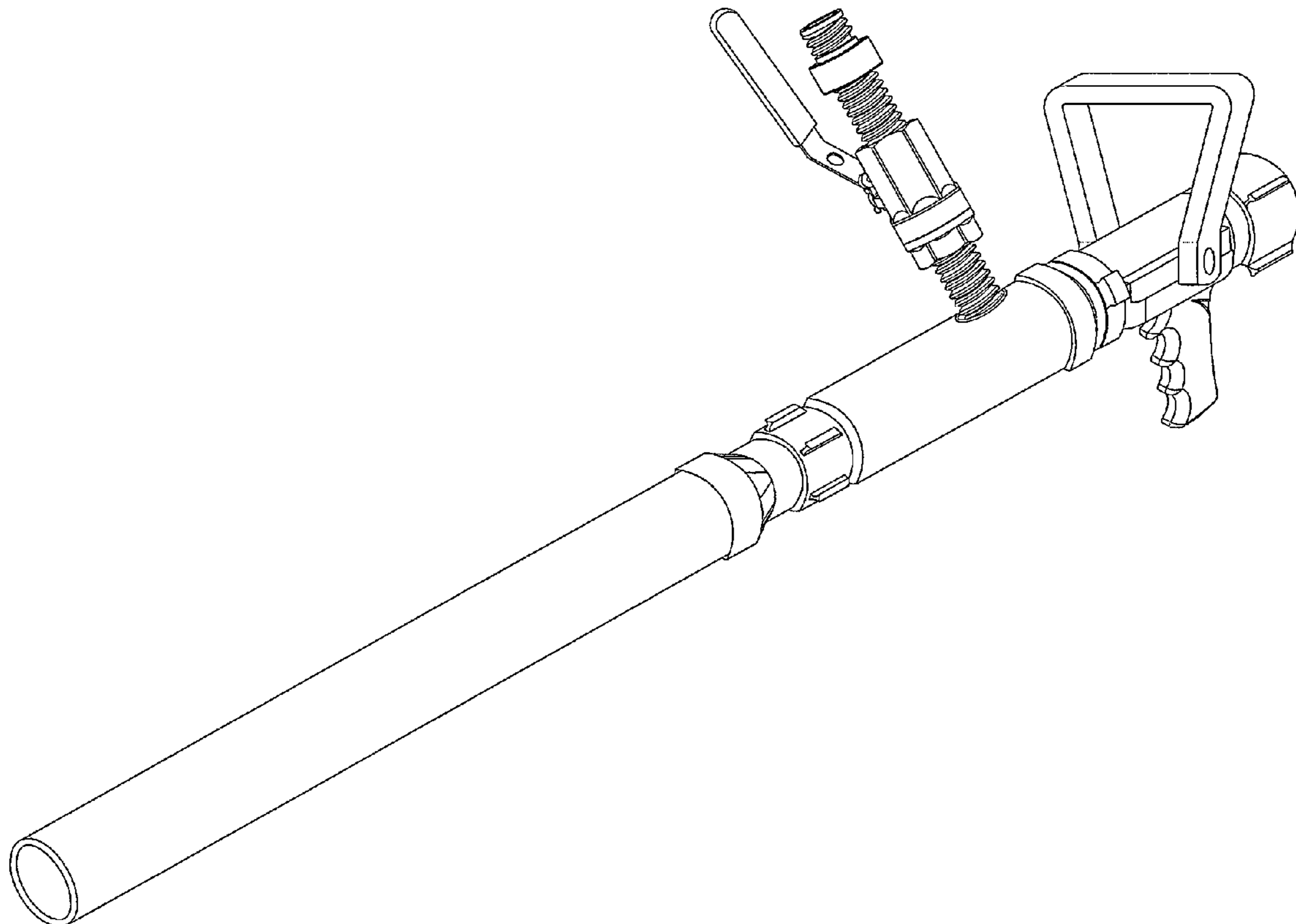
(57) **CLAIM**

The ornamental design for a firehose handheld eductor nozzle, as shown and described.

DESCRIPTION

FIG. 1 is a perspective view of the firehose handheld eductor nozzle;
FIG. 2 is a left side plane view thereof;
FIG. 3 is a right side plane view thereof;
FIG. 4 is a rear end view thereof;
FIG. 5 is a front end view thereof;
FIG. 6 is a top view thereof; and,
FIG. 7 is a bottom view thereof.

1 Claim, 7 Drawing Sheets



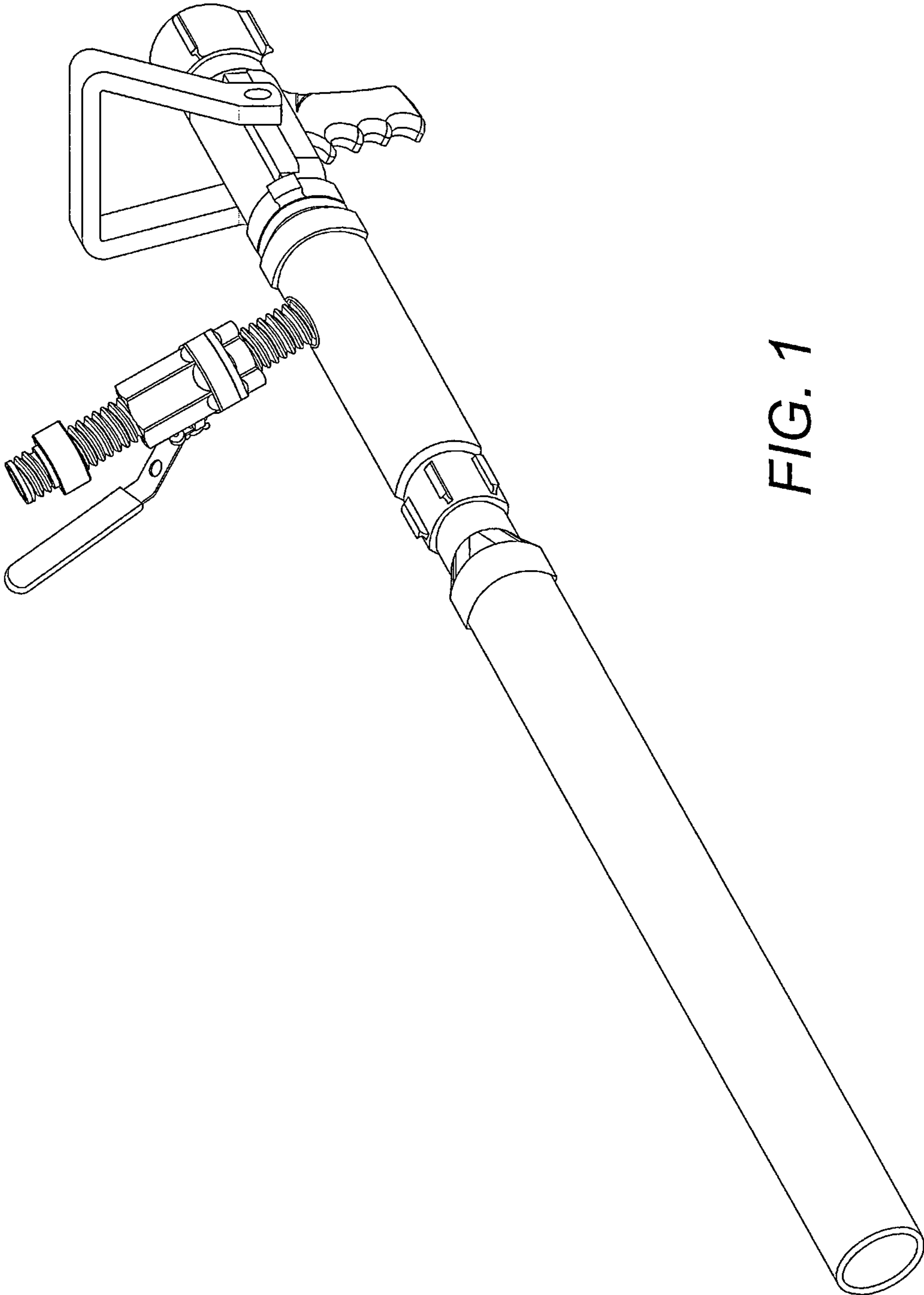


FIG. 1

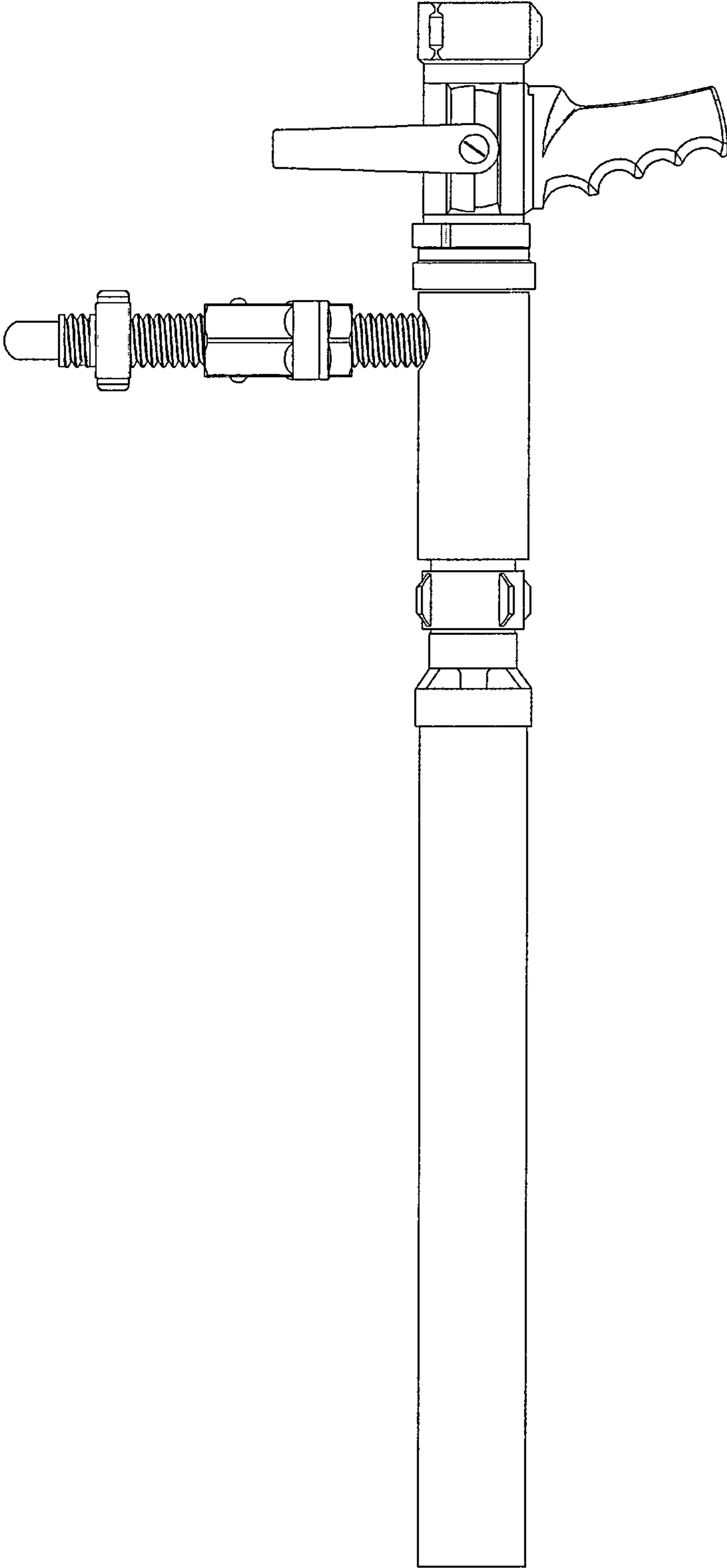


FIG. 2

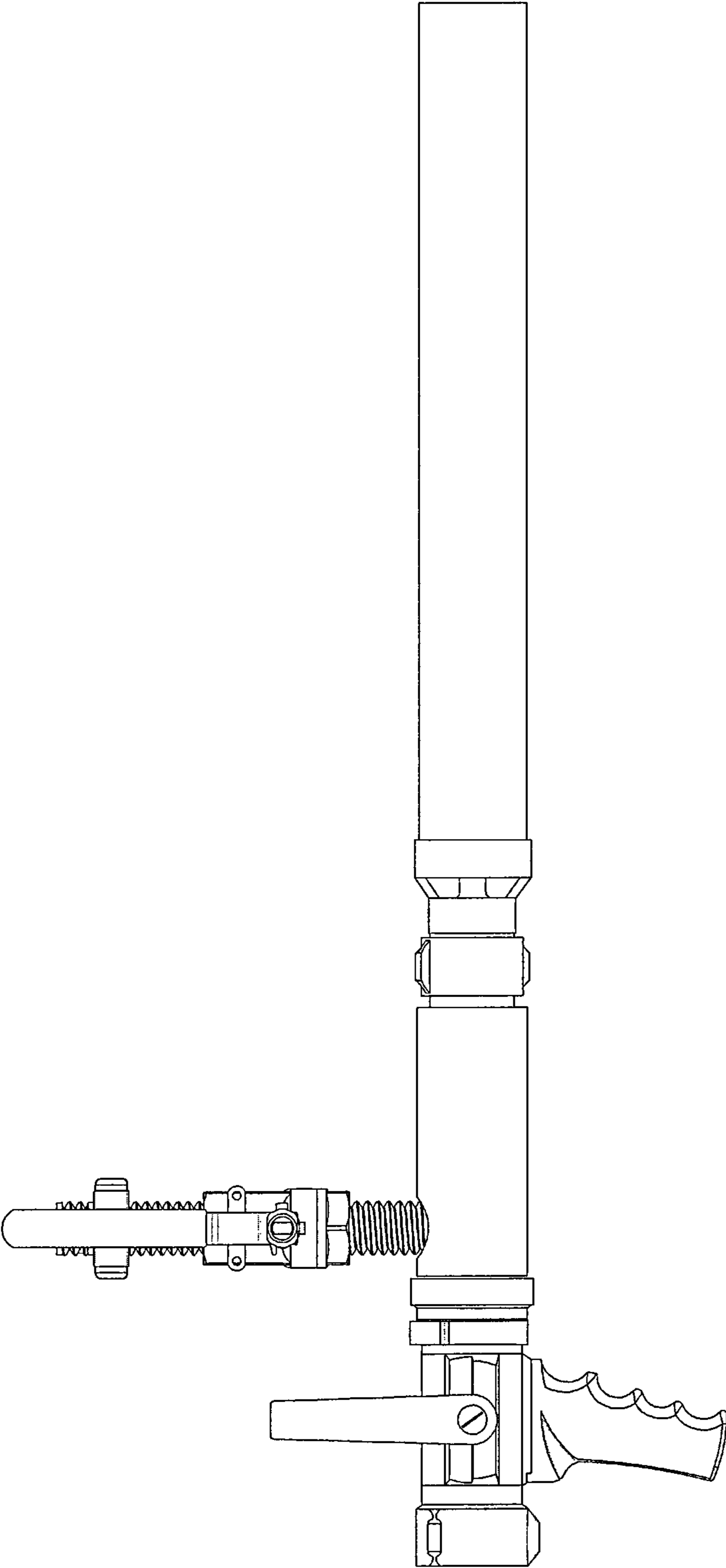


FIG. 3

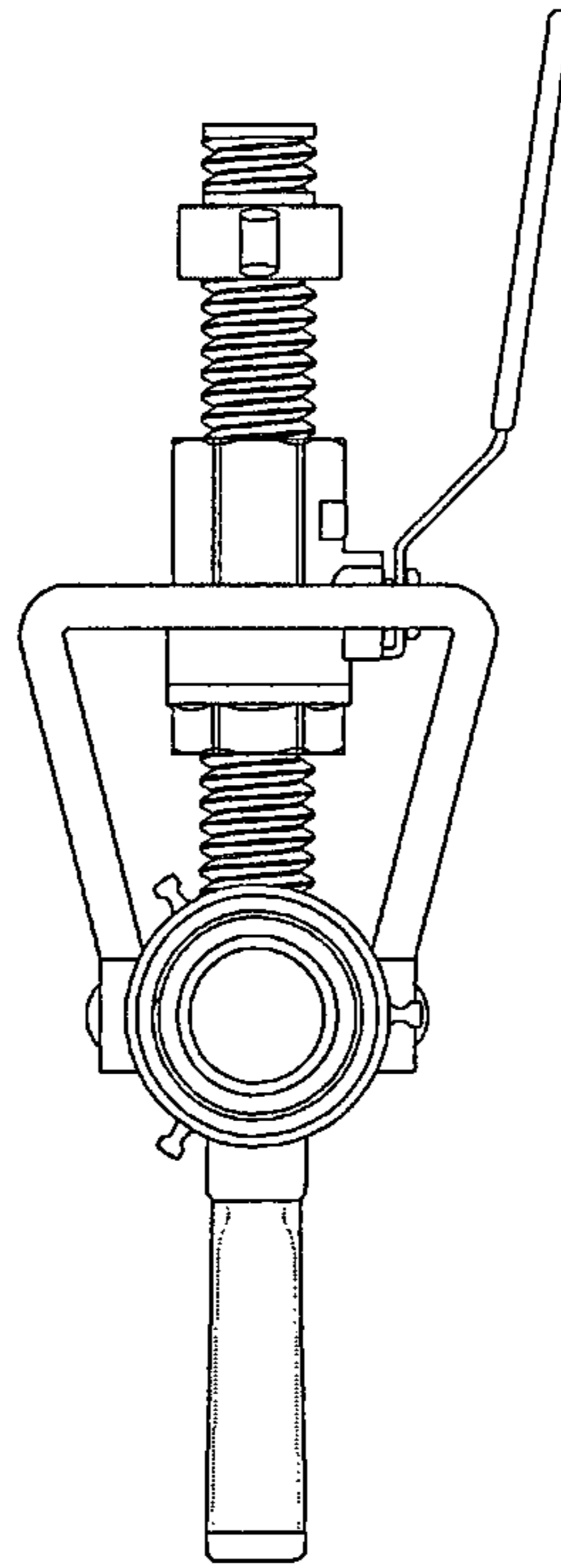


FIG. 4

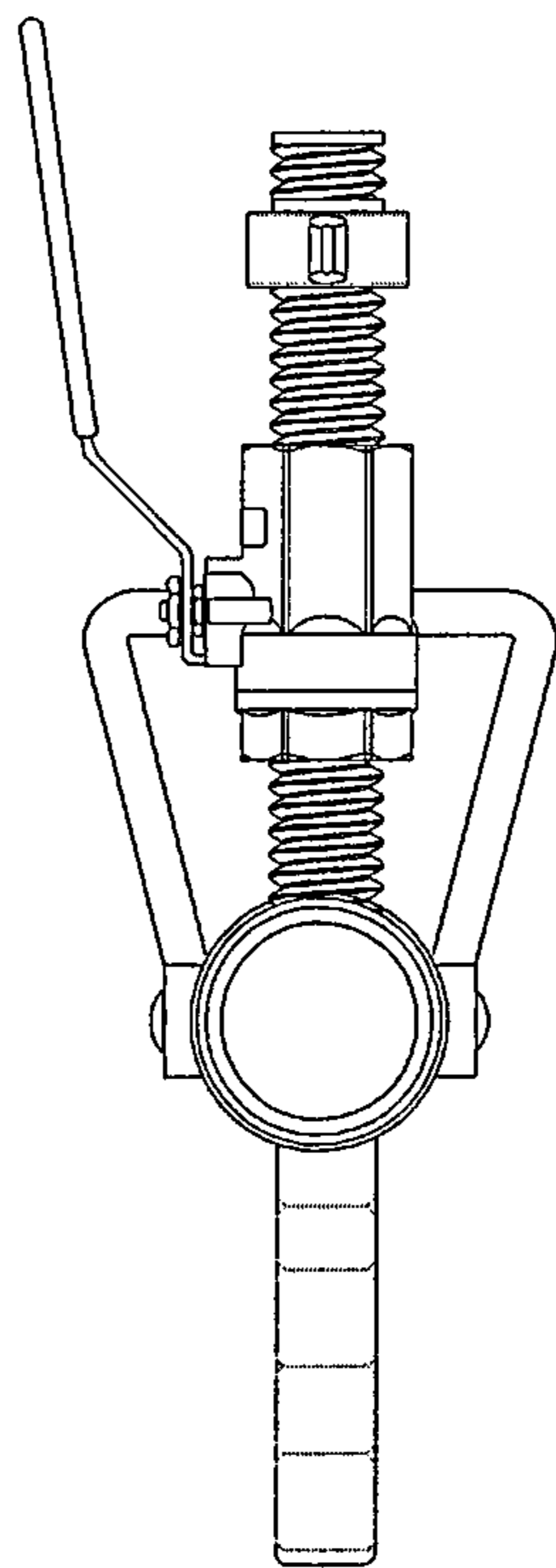


FIG. 5

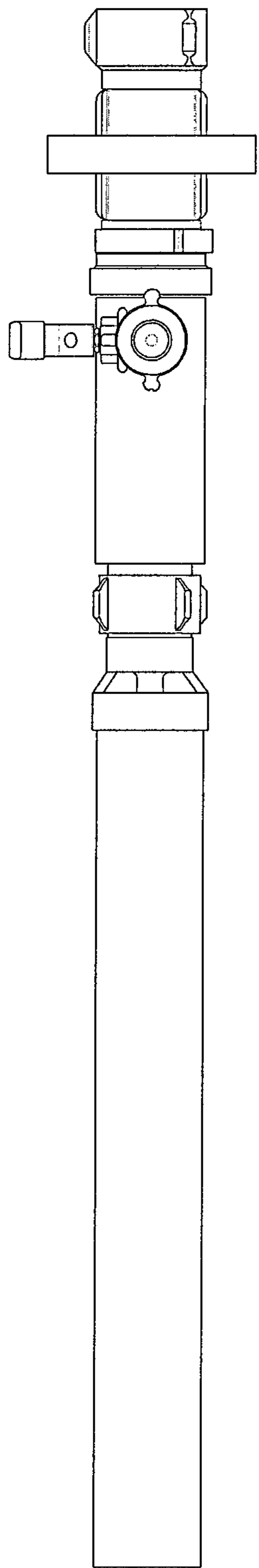


FIG. 6

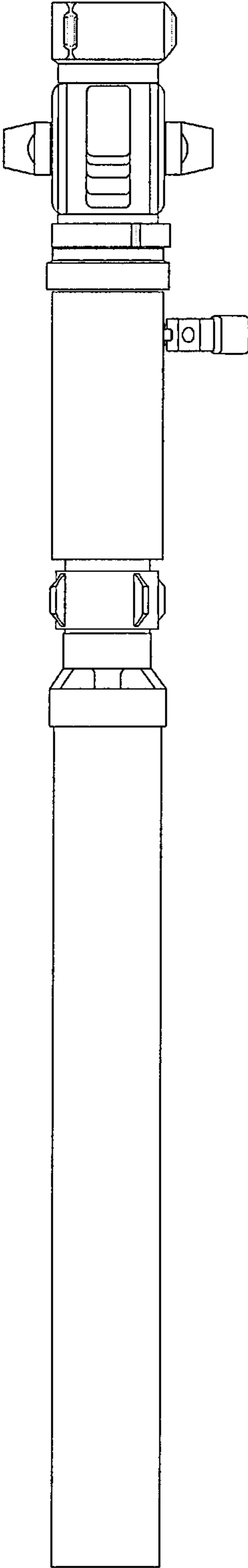


FIG. 7