



US00D684661S

(12) **United States Design Patent**  
**Ogen et al.**

(10) **Patent No.:** **US D684,661 S**  
(45) **Date of Patent:** **\*\* Jun. 18, 2013**

(54) **FLUID DISTRIBUTION EQUIPMENT**

(75) Inventors: **Itzhak Ogen**, Kiryat Tivon (IL); **Assaf Pesach**, Jordan Valley (IL)

(73) Assignee: **A.R.I. Flow Control Accessories Ltd.**,  
D.N. Ramat Hagolan (IL)

(\*\*) Term: **14 Years**

(21) Appl. No.: **29/412,597**

(22) Filed: **Feb. 6, 2012**

(30) **Foreign Application Priority Data**

Nov. 14, 2011 (IL) ..... 51779

(51) **LOC (9) Cl.** ..... **23-01**

(52) **U.S. Cl.**  
USPC ..... **D23/213; D23/262**

(58) **Field of Classification Search**  
USPC ..... **D23/213, 262; 169/70; 239/459,**  
**239/460, 458**  
See application file for complete search history.

(56) **References Cited**

**U.S. PATENT DOCUMENTS**

D616,969 S \* 6/2010 Zore ..... D23/262  
D624,161 S \* 9/2010 Zore ..... D23/262

\* cited by examiner

*Primary Examiner* — Robin V Webster

(74) *Attorney, Agent, or Firm* — Nath, Goldberg & Meyer;  
Jerald L. Meyer; Scott C. Langford

(57) **CLAIM**

The ornamental design for a fluid distribution equipment, as shown and described.

**DESCRIPTION**

FIG. 1 is a top and side perspective view for a fluid distribution equipment;

FIG. 2 is another top and side perspective view of the design for a fluid distribution equipment as seen in FIG. 1;

FIG. 3 is a top and front side perspective view of the design for a fluid distribution equipment as seen in FIG. 1;

FIG. 4 is a bottom and side perspective view of the design for a fluid distribution equipment as seen in FIG. 1;

FIG. 5 is a left side elevational view of the design for a fluid distribution equipment as seen in FIG. 1;

FIG. 6 is a right side elevational view of the design for a fluid distribution equipment as seen in FIG. 1;

FIG. 7 is a front elevational view of the design for a fluid distribution equipment as seen in FIG. 1;

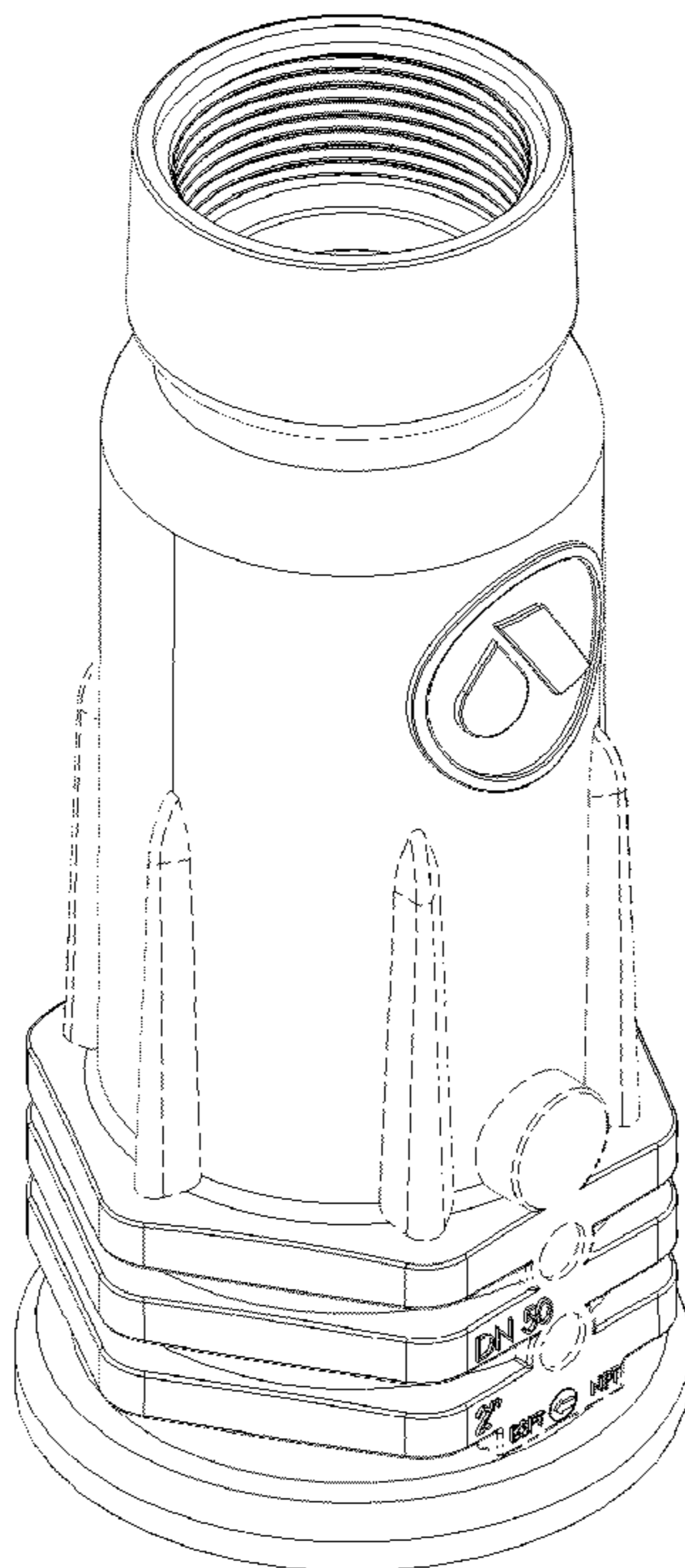
FIG. 8 is a rear elevational view of the design for a fluid distribution equipment as seen in FIG. 1;

FIG. 9 is a top planar view of the design for a fluid distribution equipment as seen in FIG. 1; and,

FIG. 10 is a bottom planar view of the design for a fluid distribution equipment as seen in FIG. 1.

The parts shown in broken lines are not part of the claimed design; the letters, numbers, and symbols appearing on the article are not part of the claimed design.

**1 Claim, 10 Drawing Sheets**



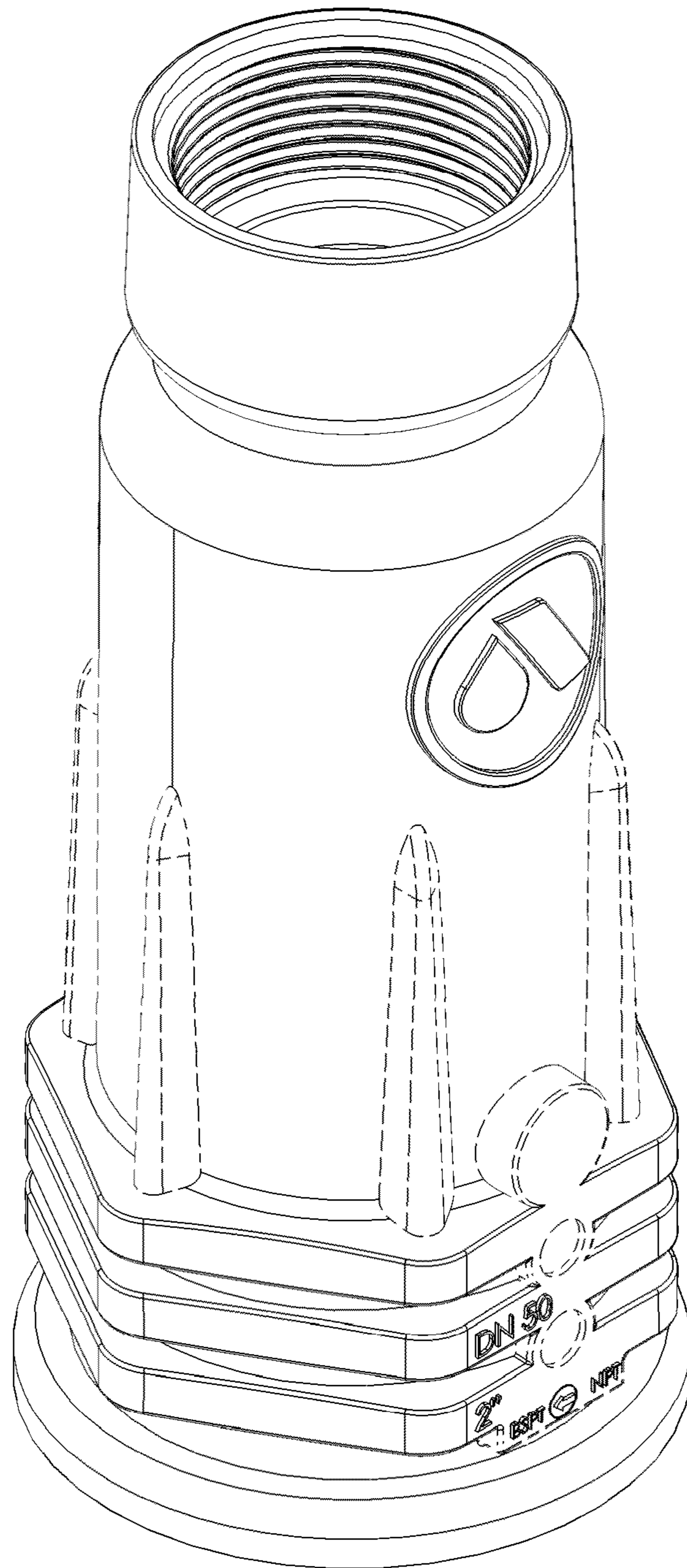


FIG. 1



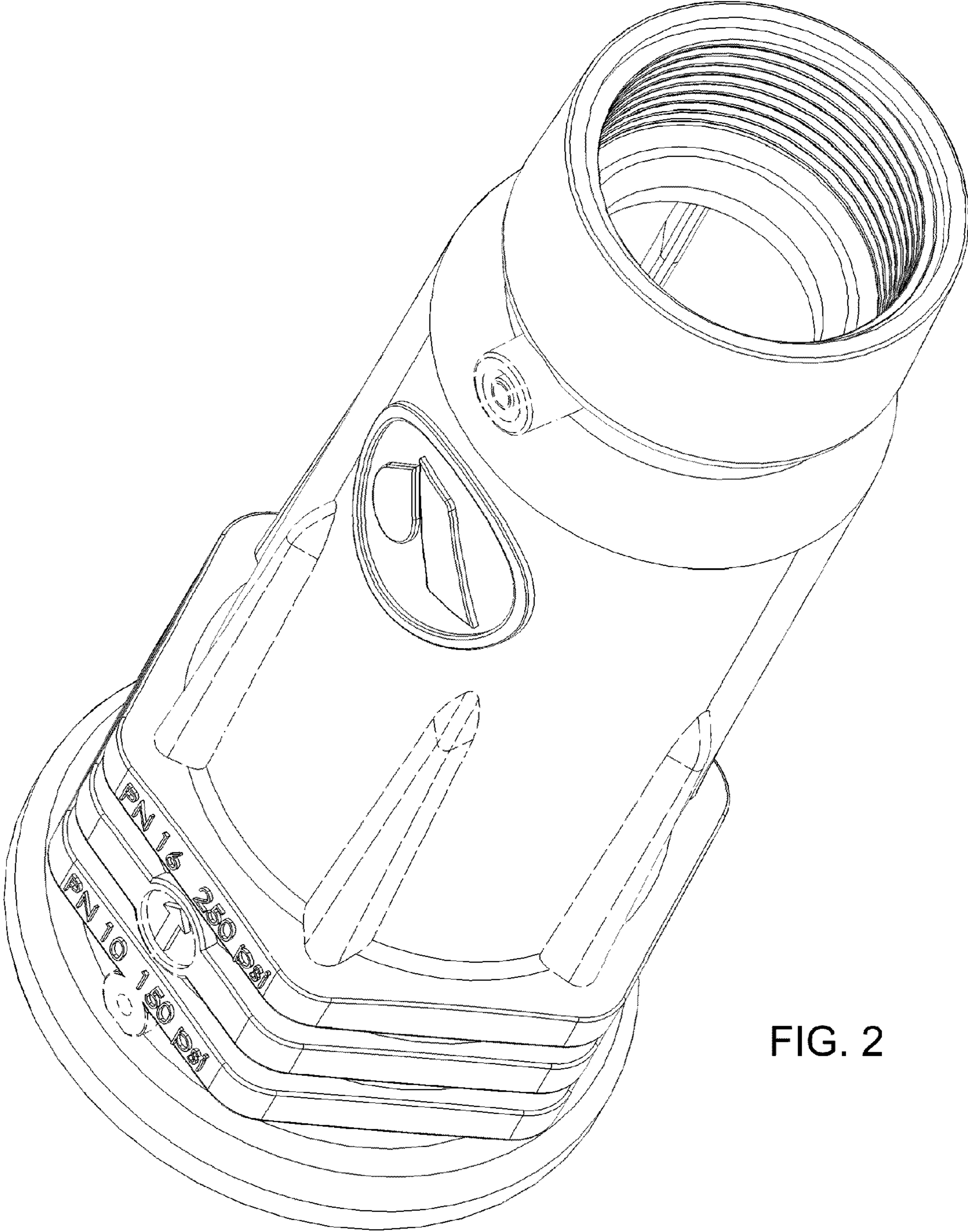


FIG. 2

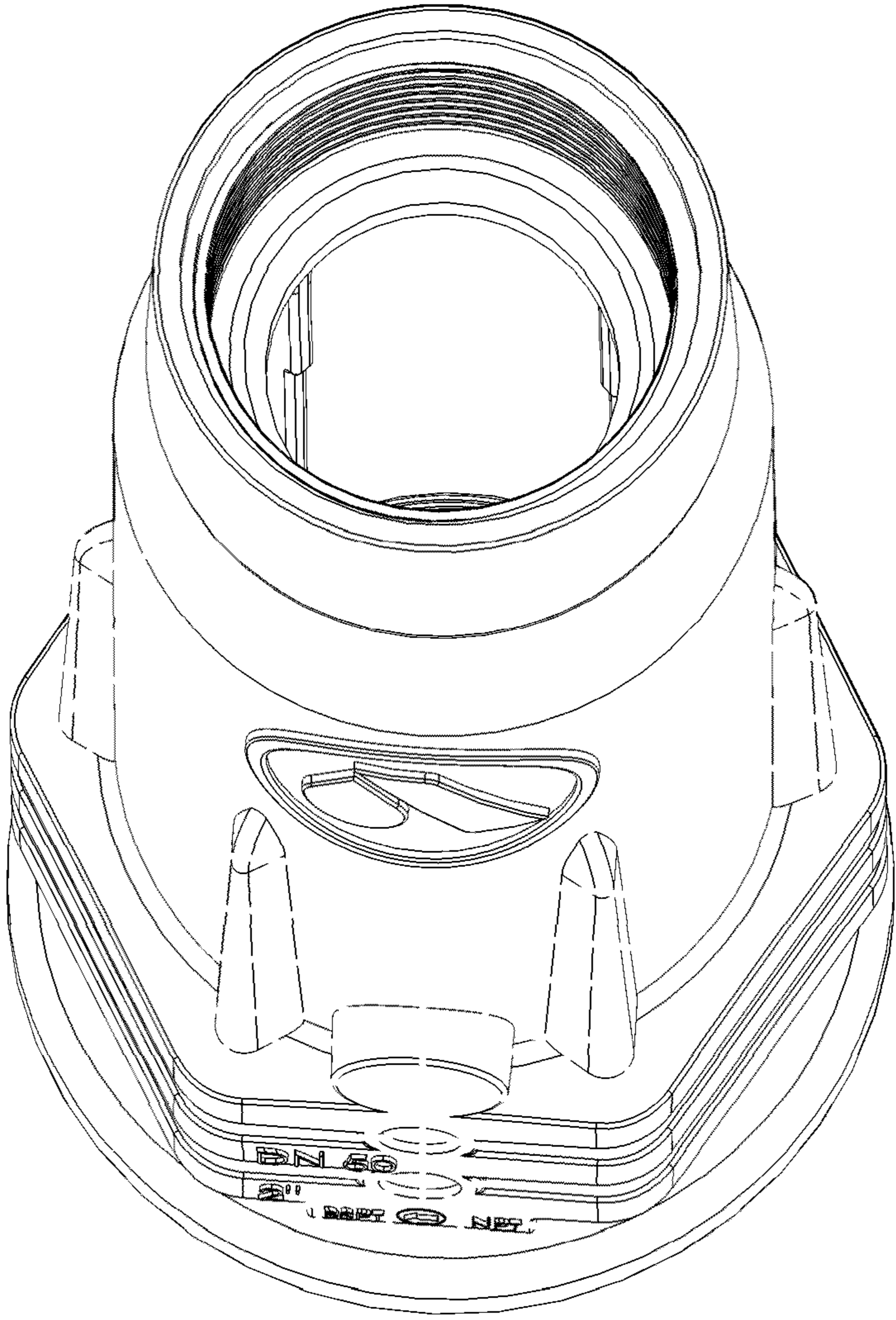


FIG. 3

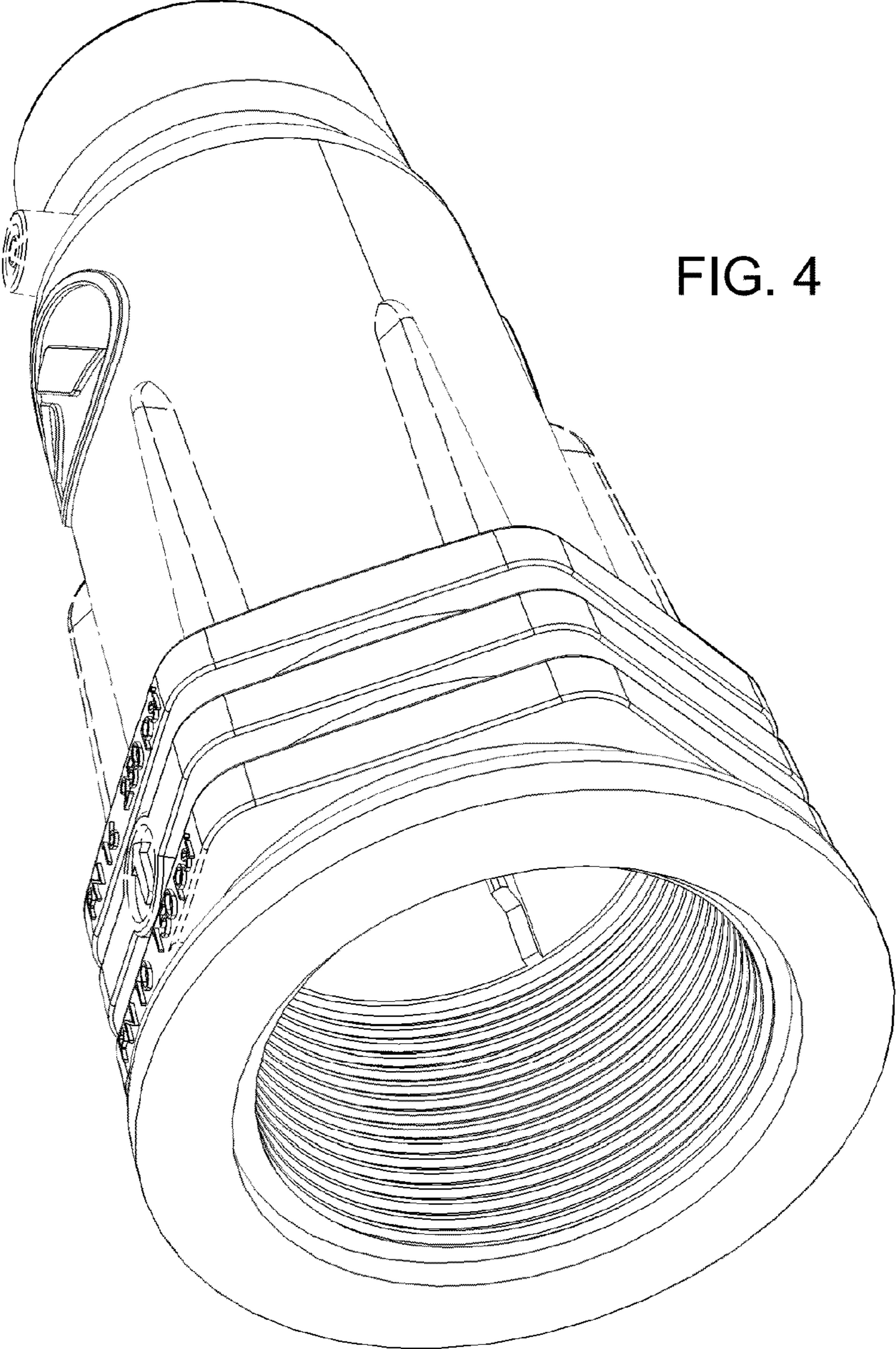


FIG. 4



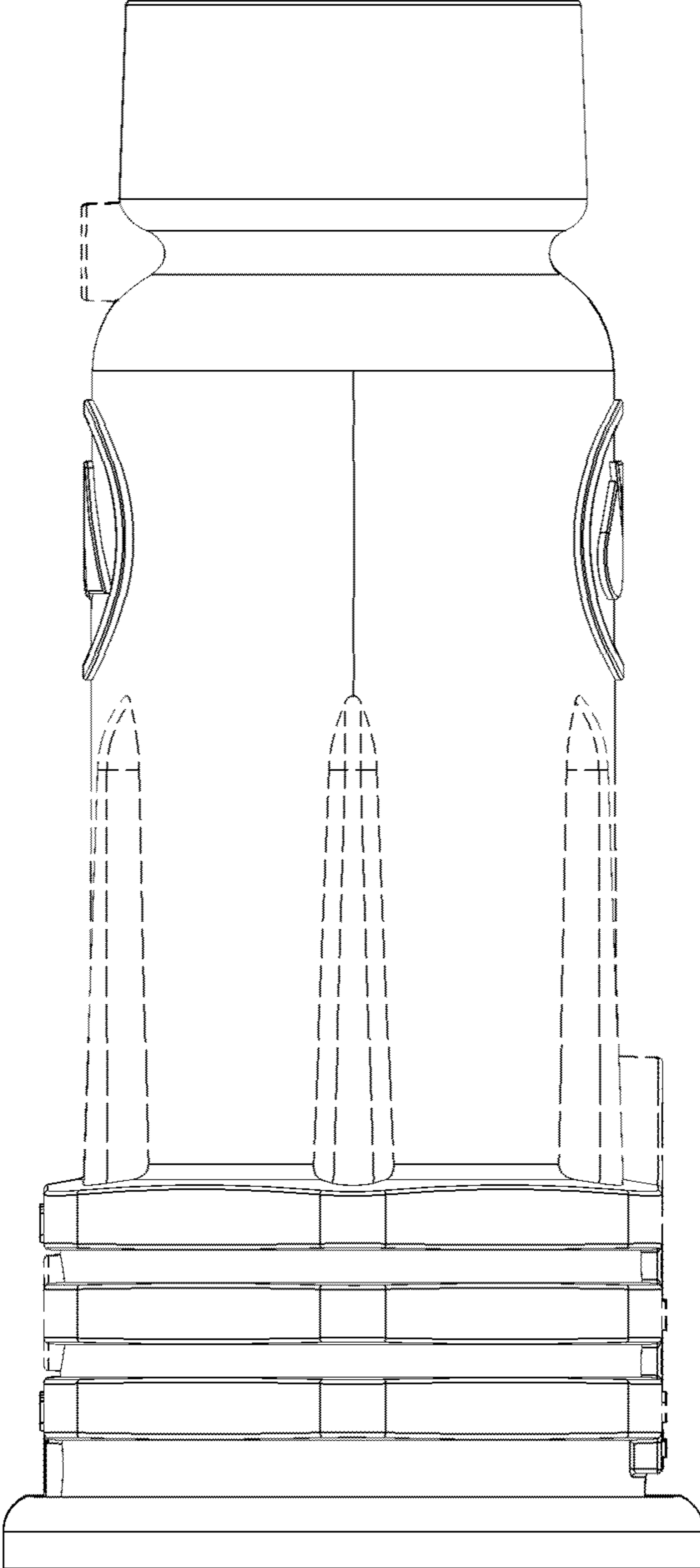


FIG. 5

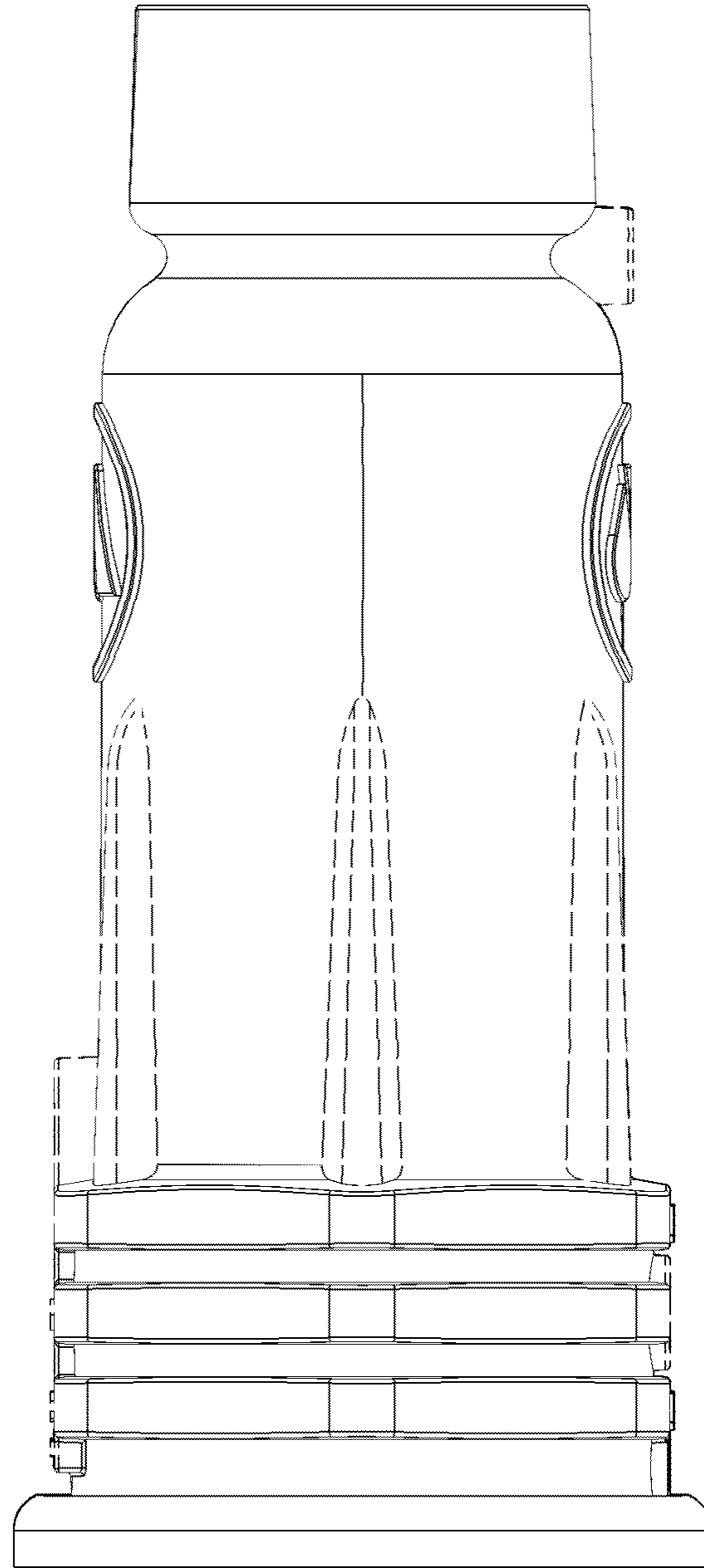


FIG. 6

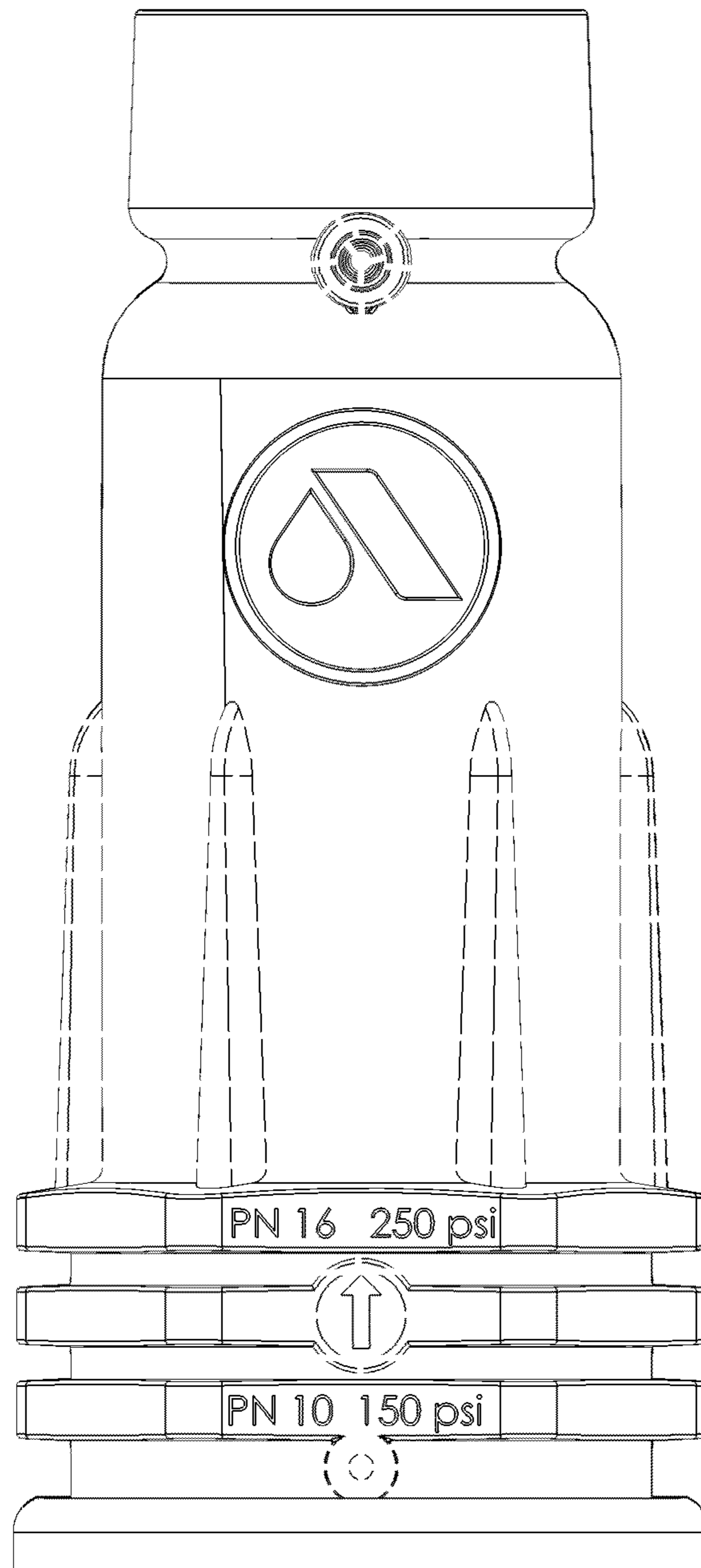


FIG. 7



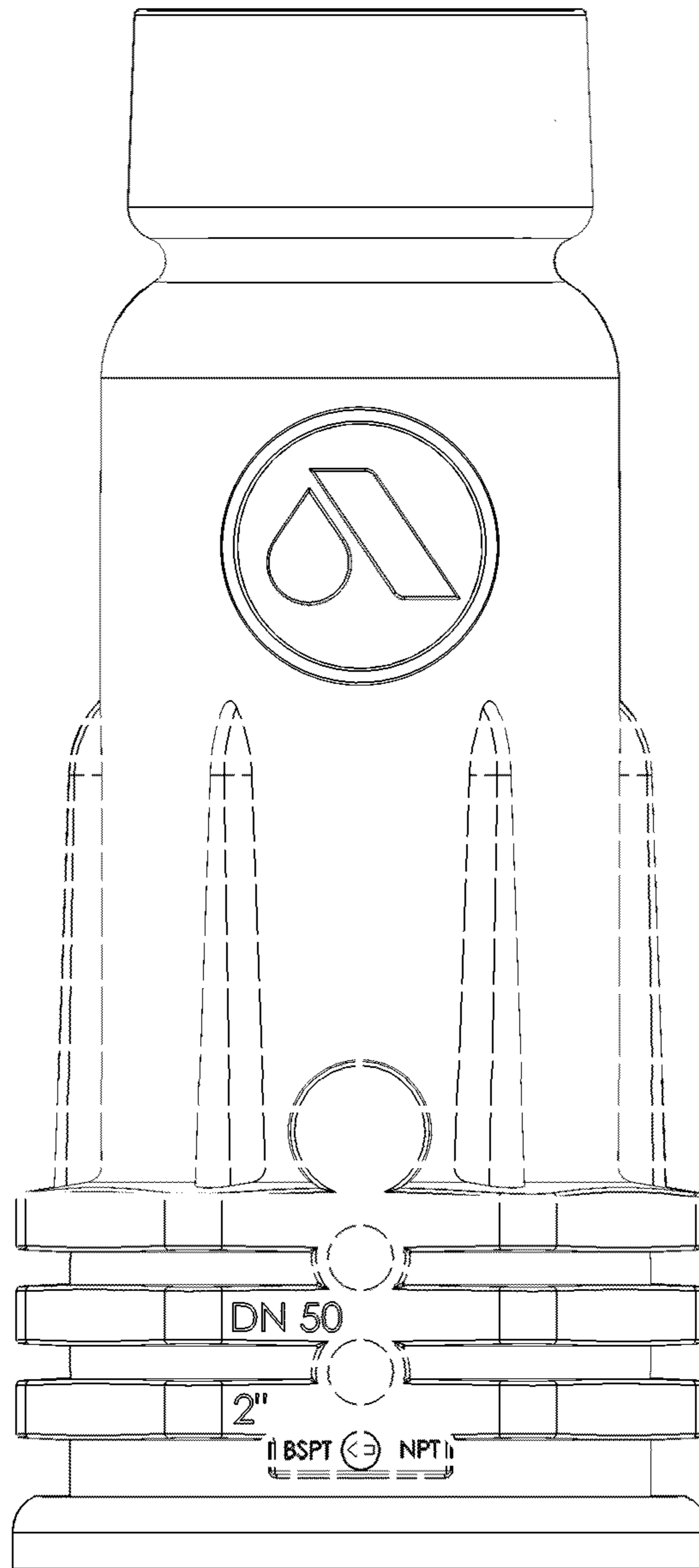


FIG. 8

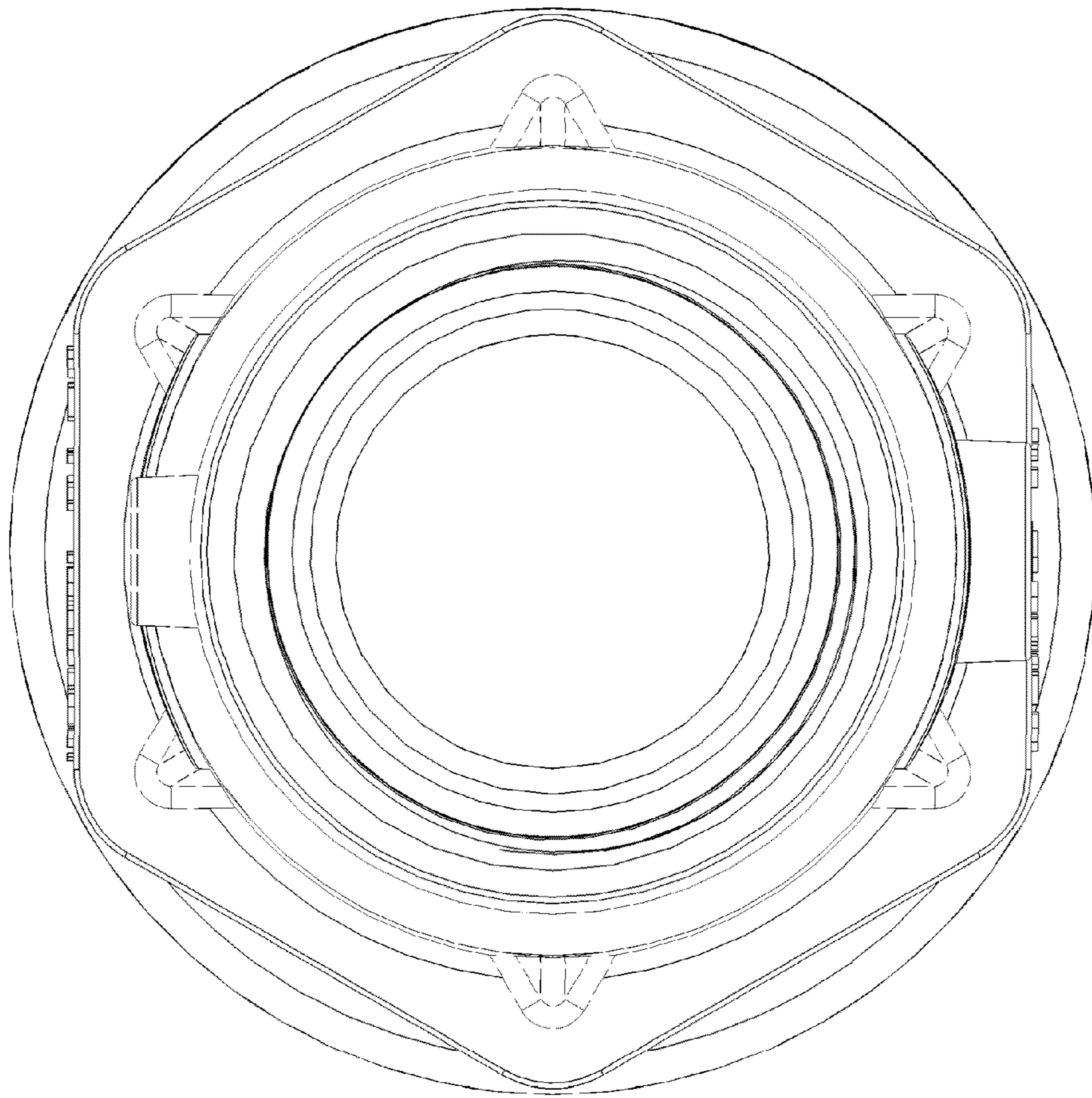


FIG. 9

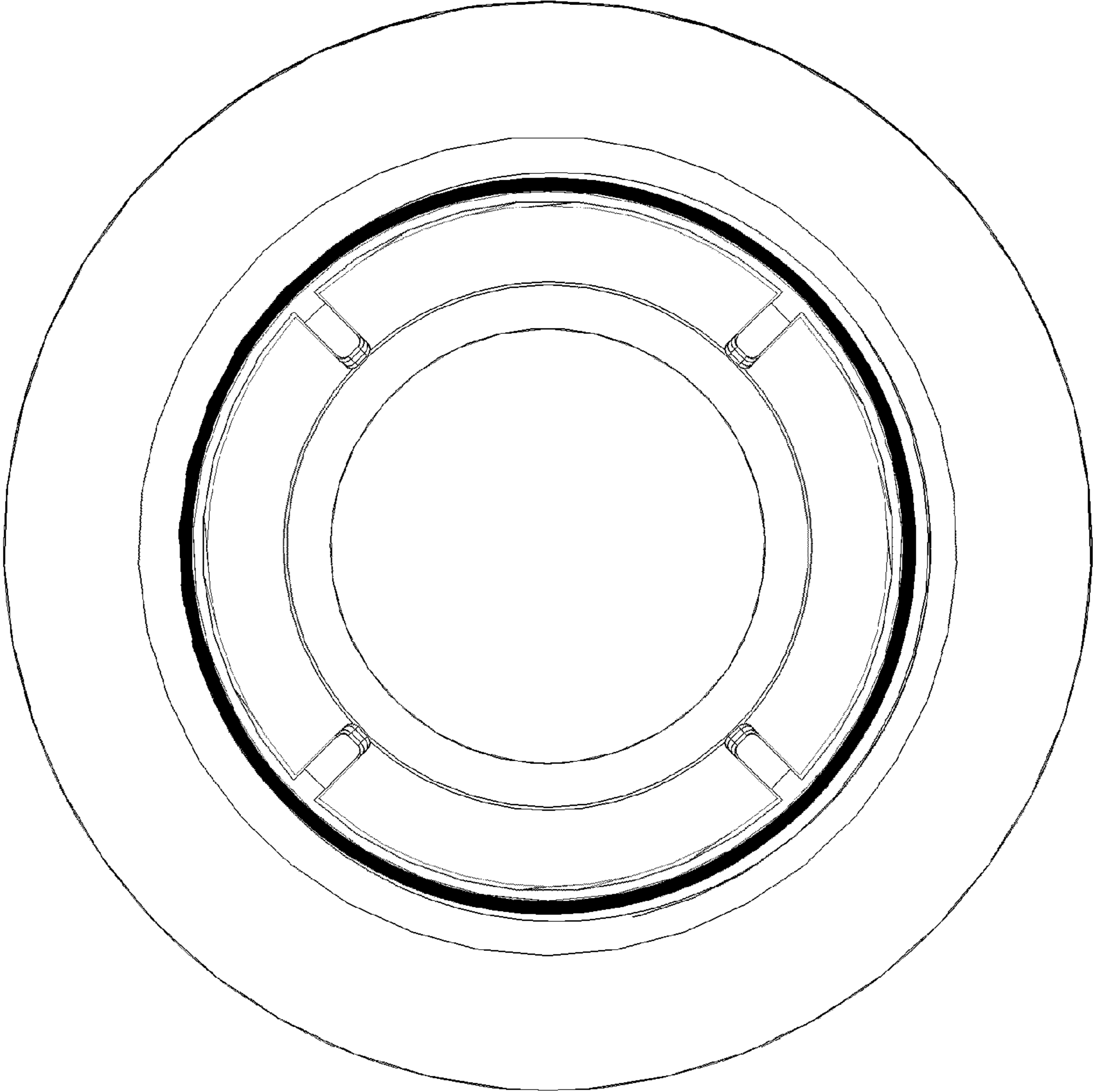


FIG. 10