



US00D684659S

(12) **United States Design Patent**
Quill

(10) **Patent No.:** **US D684,659 S**
(45) **Date of Patent:** **** Jun. 18, 2013**

(54) **FIELD DRESSING TOOL AND HOLSTER**

(71) Applicant: **Jared Quill**, Townsend, MA (US)

(72) Inventor: **Jared Quill**, Townsend, MA (US)

(**) Term: **14 Years**

(21) Appl. No.: **29/432,865**

(22) Filed: **Sep. 21, 2012**

(51) **LOC (9) Cl.** **22-99**

(52) **U.S. Cl.**
USPC **D22/199**

(58) **Field of Classification Search**
USPC D22/199; 452/6, 102, 106, 109, 117,
452/122; 30/136, 143
See application file for complete search history.

(56) **References Cited**

U.S. PATENT DOCUMENTS

D539,868 S	4/2007	Luster	
7,198,562 B2 *	4/2007	Whetstone et al.	452/6
7,252,583 B1 *	8/2007	Jones	452/102
7,367,877 B1	5/2008	Luster	
7,597,614 B2 *	10/2009	Forbes et al.	452/109

* cited by examiner

Primary Examiner — Catheri Oliver-Garcia
(74) *Attorney, Agent, or Firm* — John H. Pearson, Jr.;
Pearson & Pearson, LLP

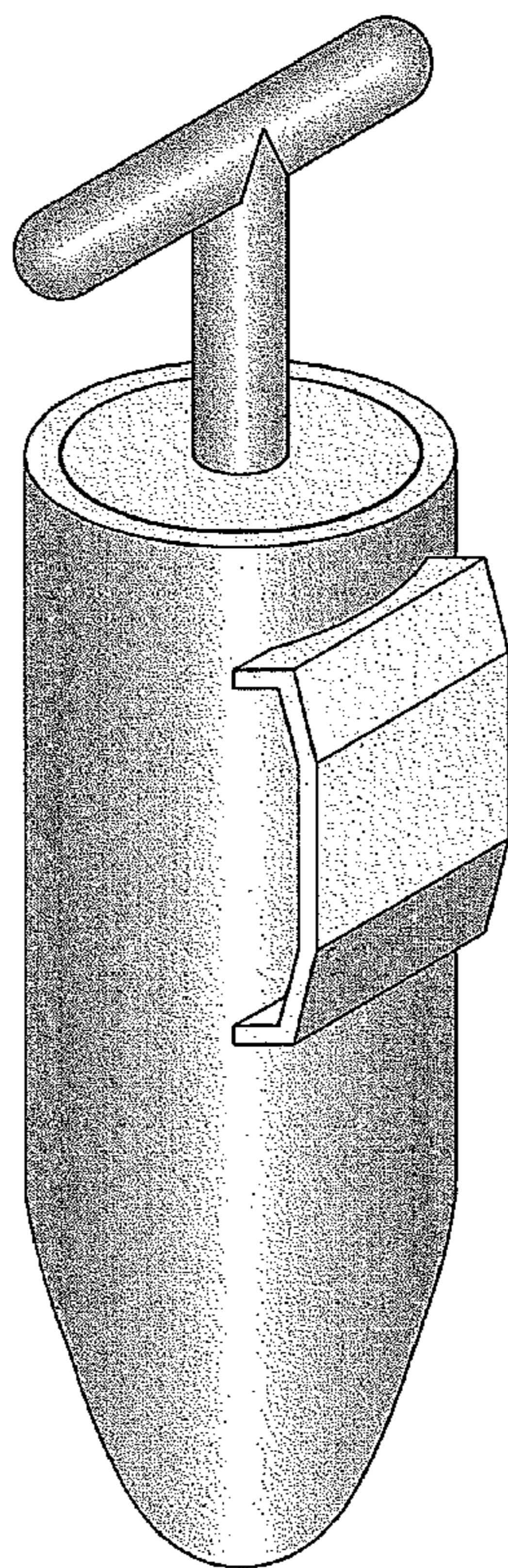
(57) **CLAIM**

The ornamental design for the improved field dressing tool and holster, as shown and described.

DESCRIPTION

FIG. 1 is a side perspective view of the improved field dressing tool and holster showing my new design wherein the tool is locked in the holster;
FIG. 2 is a side elevational view of the improved field dressing tool and holster wherein the tool is partially inserted into the holster thereof;
FIG. 3 is a front elevational view of the improved field dressing tool thereof;
FIG. 4 is a front elevational view of the holster thereof;
FIG. 5 is a rear elevational view of the improved field dressing tool thereof;
FIG. 6 is a rear elevational view of the holster thereof;
FIG. 7 is a right side elevational view of the improved field dressing tool thereof;
FIG. 8 is a right side elevational view of the holster thereof;
FIG. 9 is a left side elevational view of the improved field dressing tool thereof;
FIG. 10 is a left side elevational view of the holster thereof;
FIG. 11 is a top plan view of the improved field dressing tool thereof;
FIG. 12 is a top plan view of the holster thereof;
FIG. 13 is a bottom plan view of the improved field dressing tool thereof; and,
FIG. 14 is a bottom plan view of the holster thereof.

1 Claim, 6 Drawing Sheets



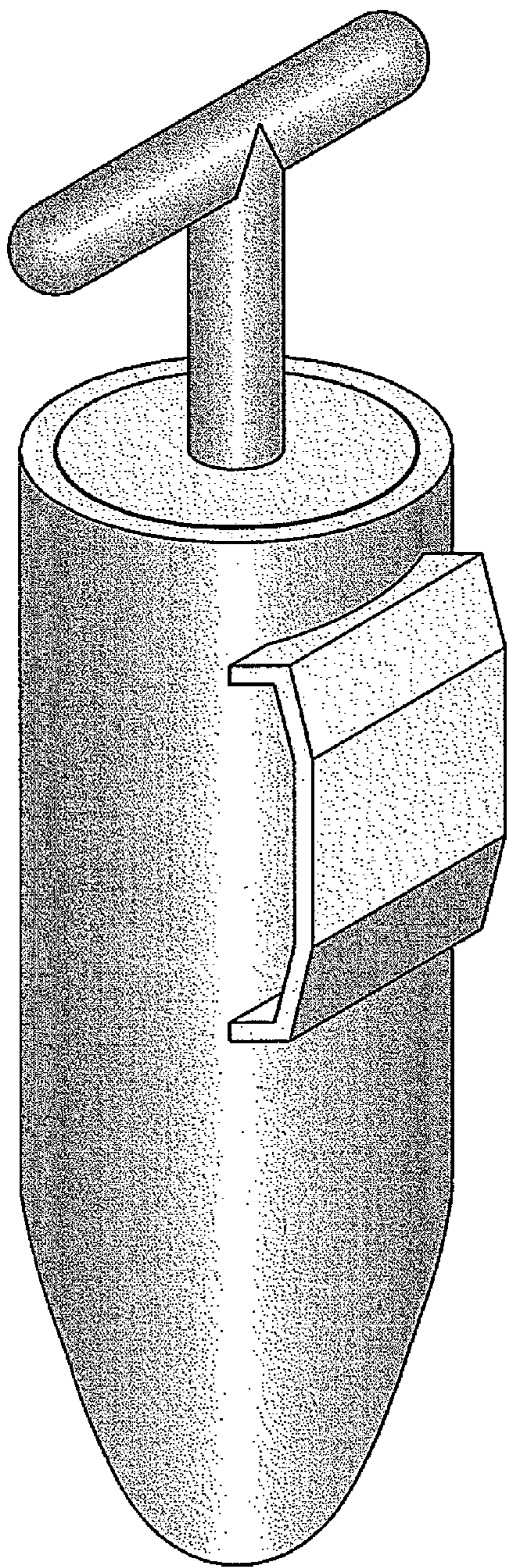


Figure 1

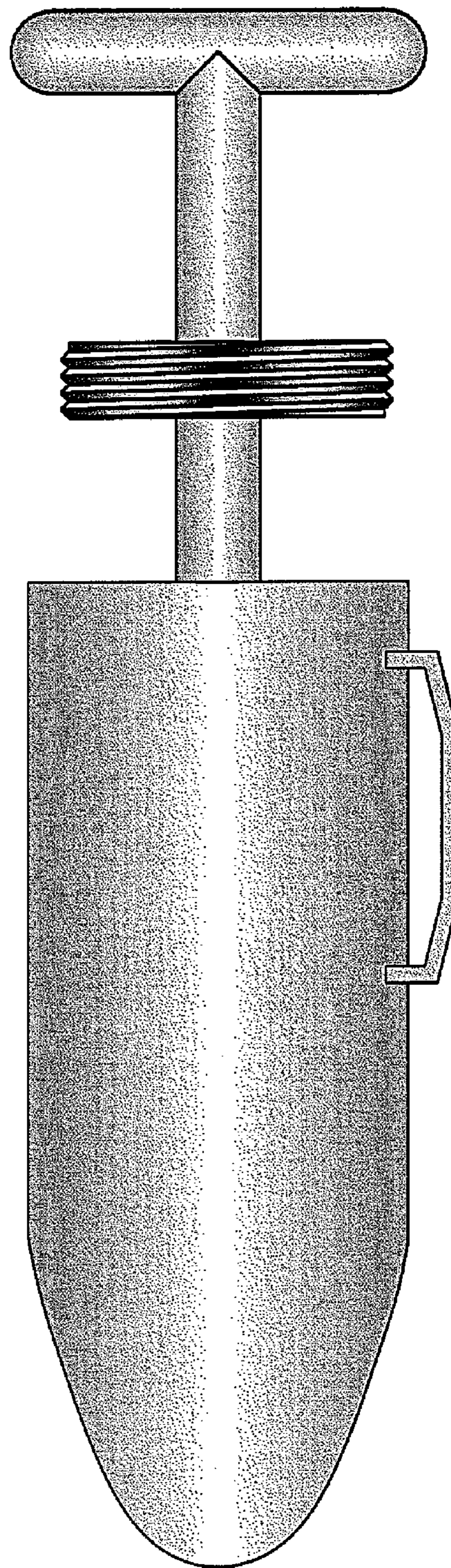


Figure 2

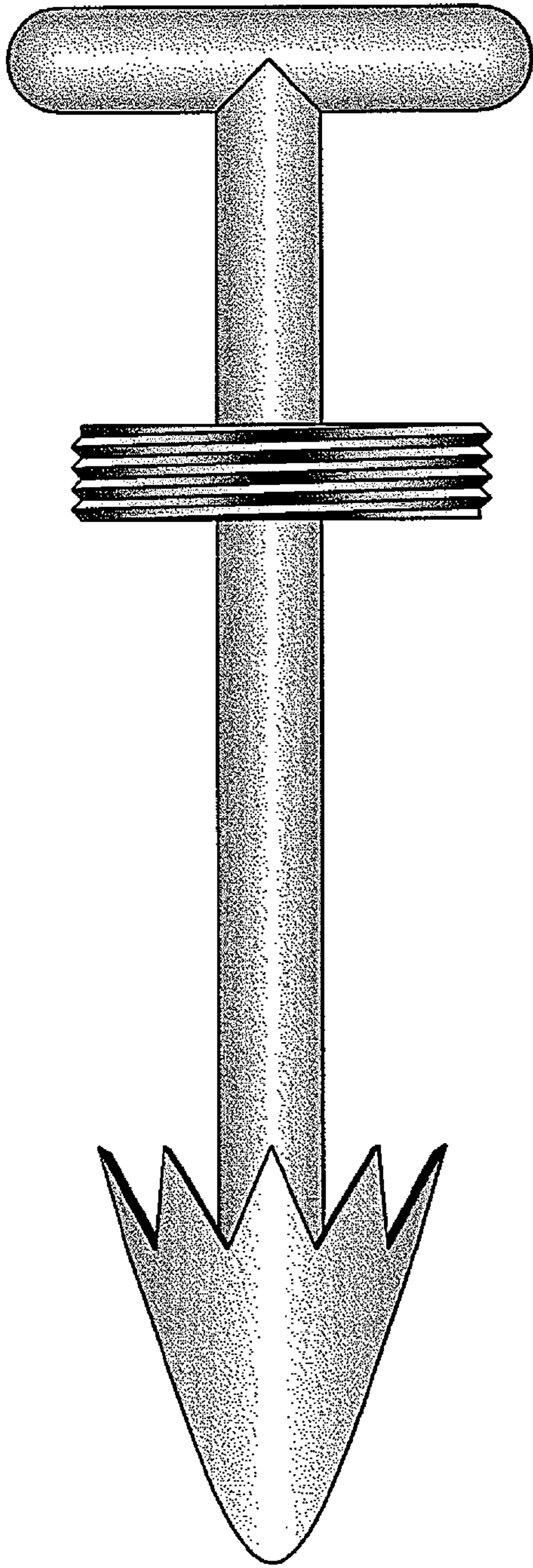


Figure 3

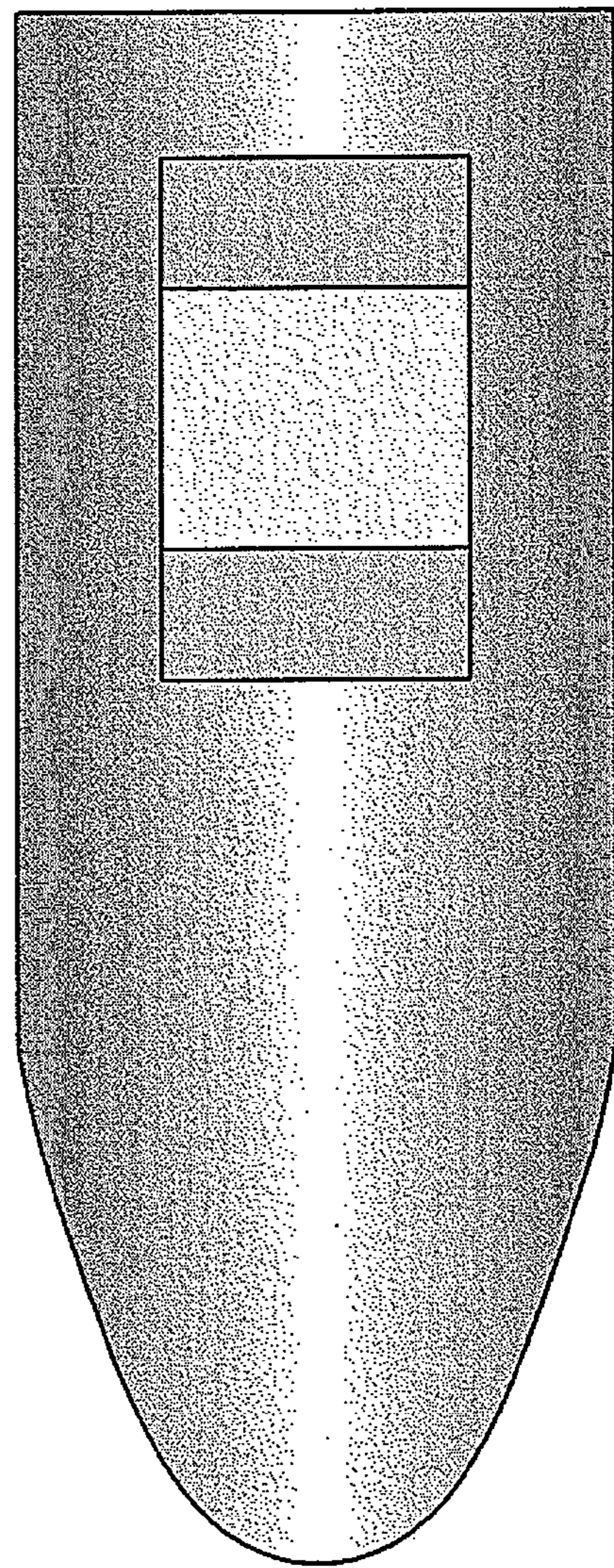


Figure 4

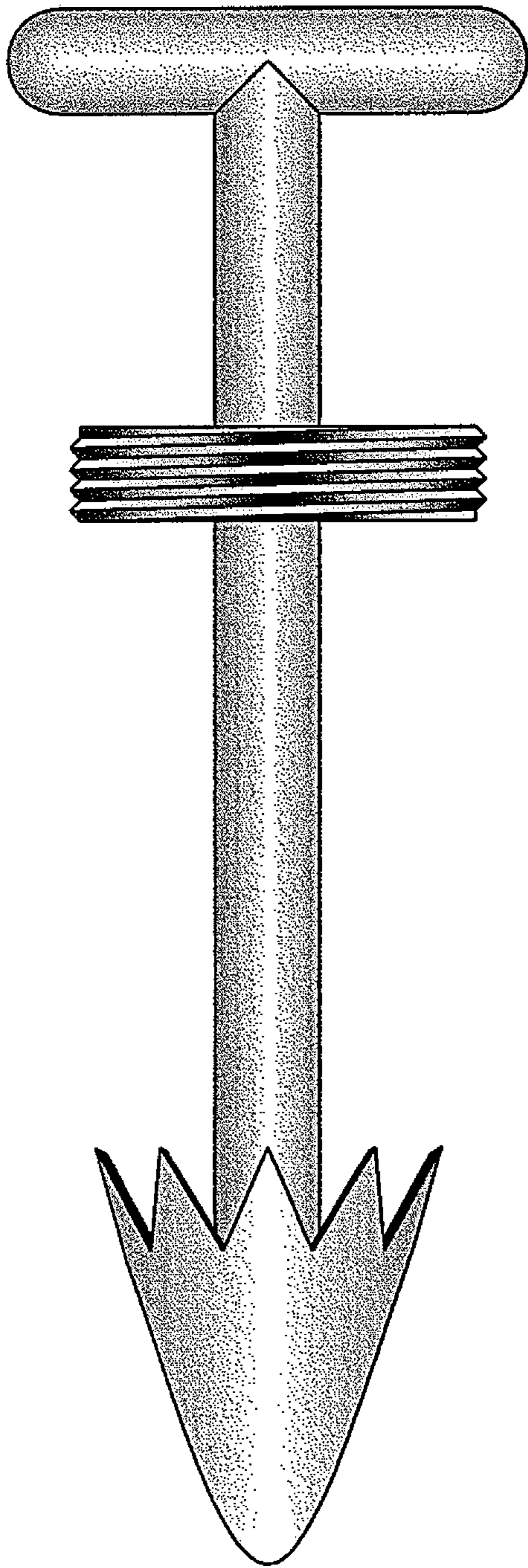


Figure 5

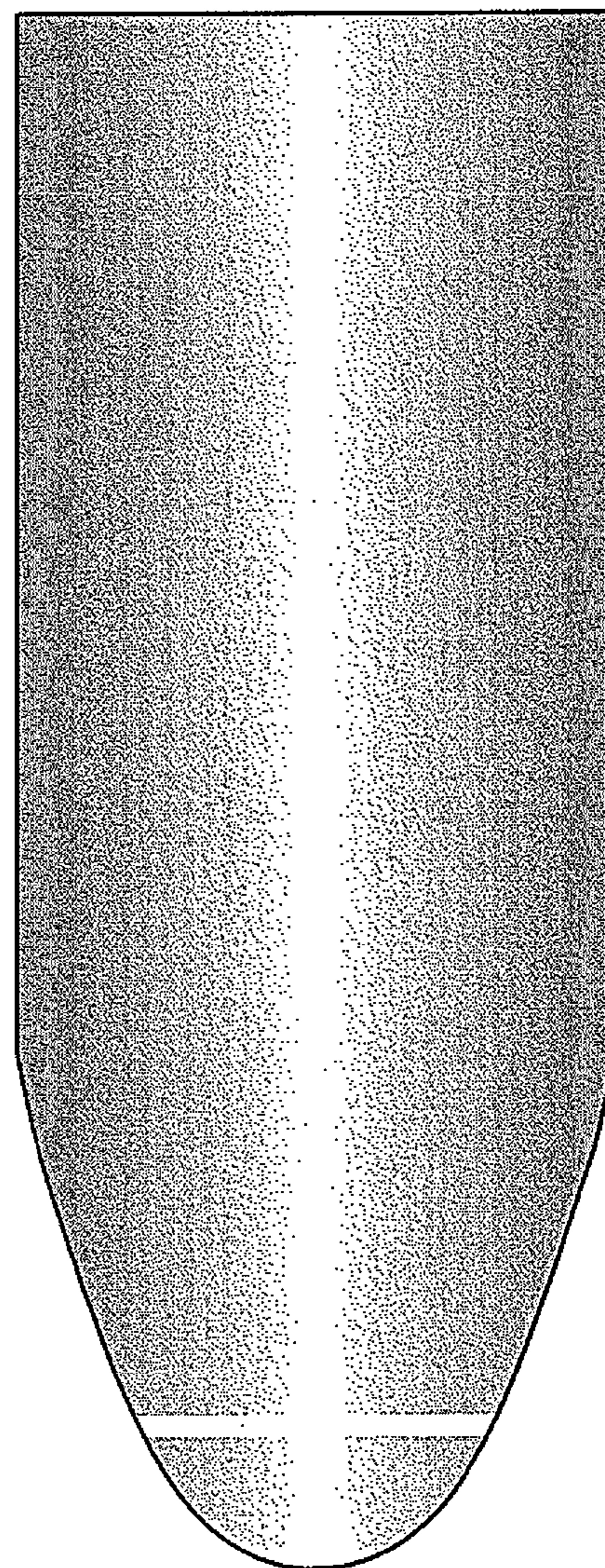


Figure 6

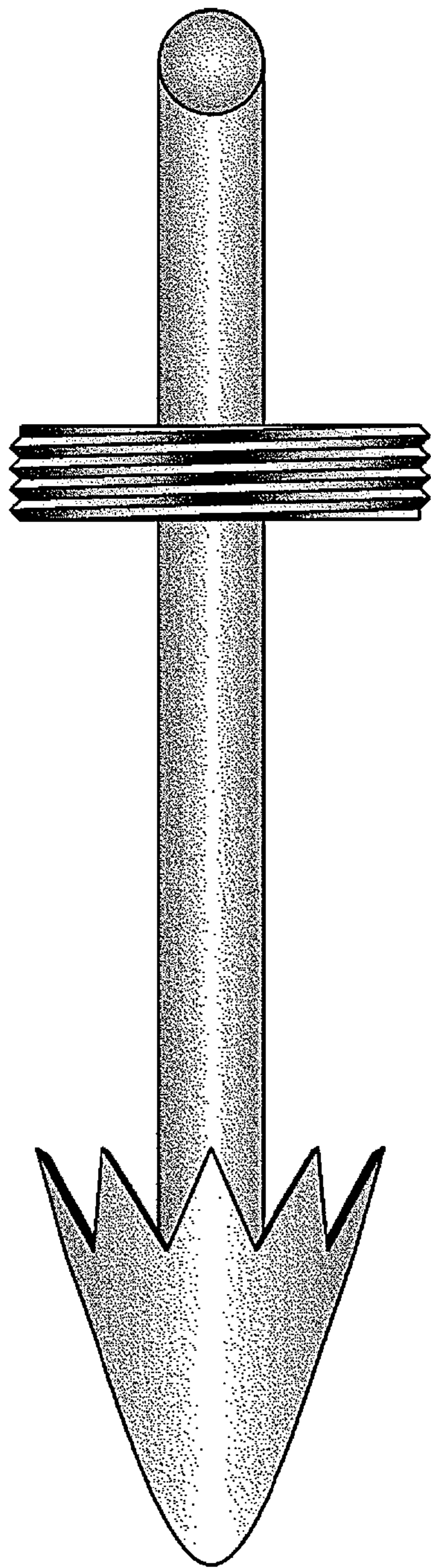


Figure 7

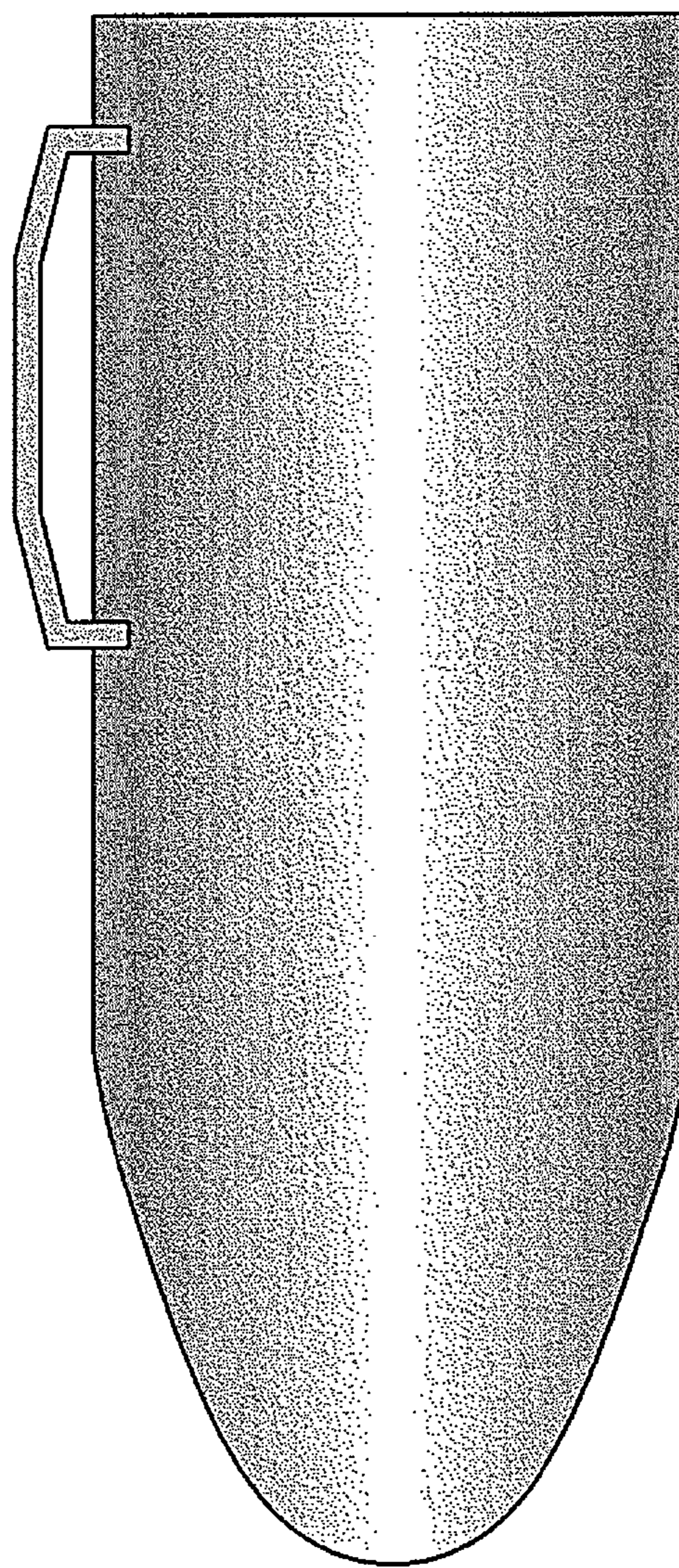


Figure 8

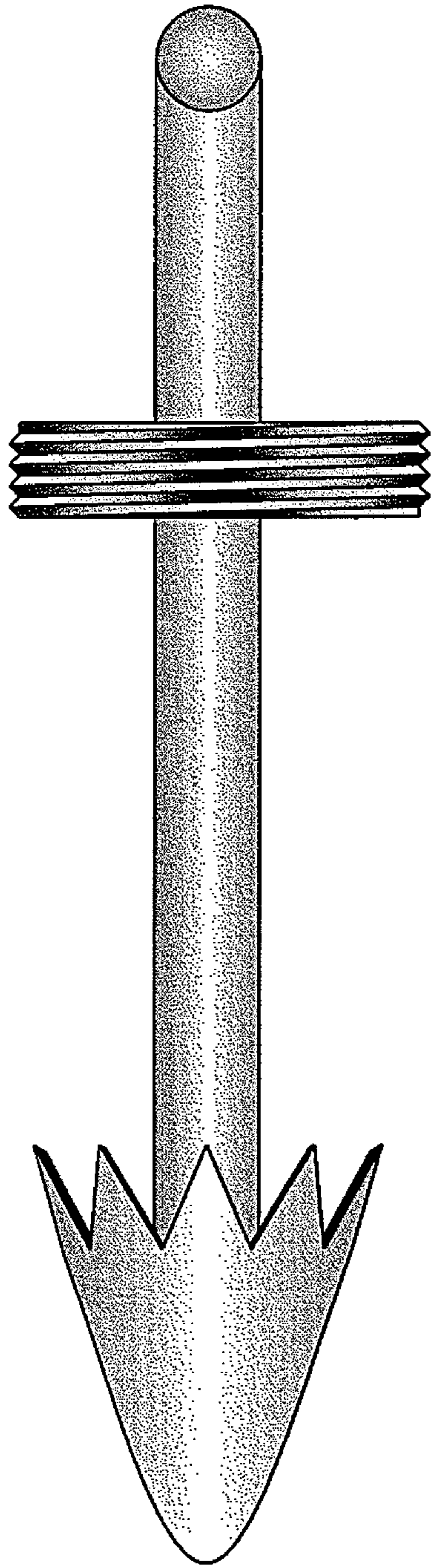


Figure 9

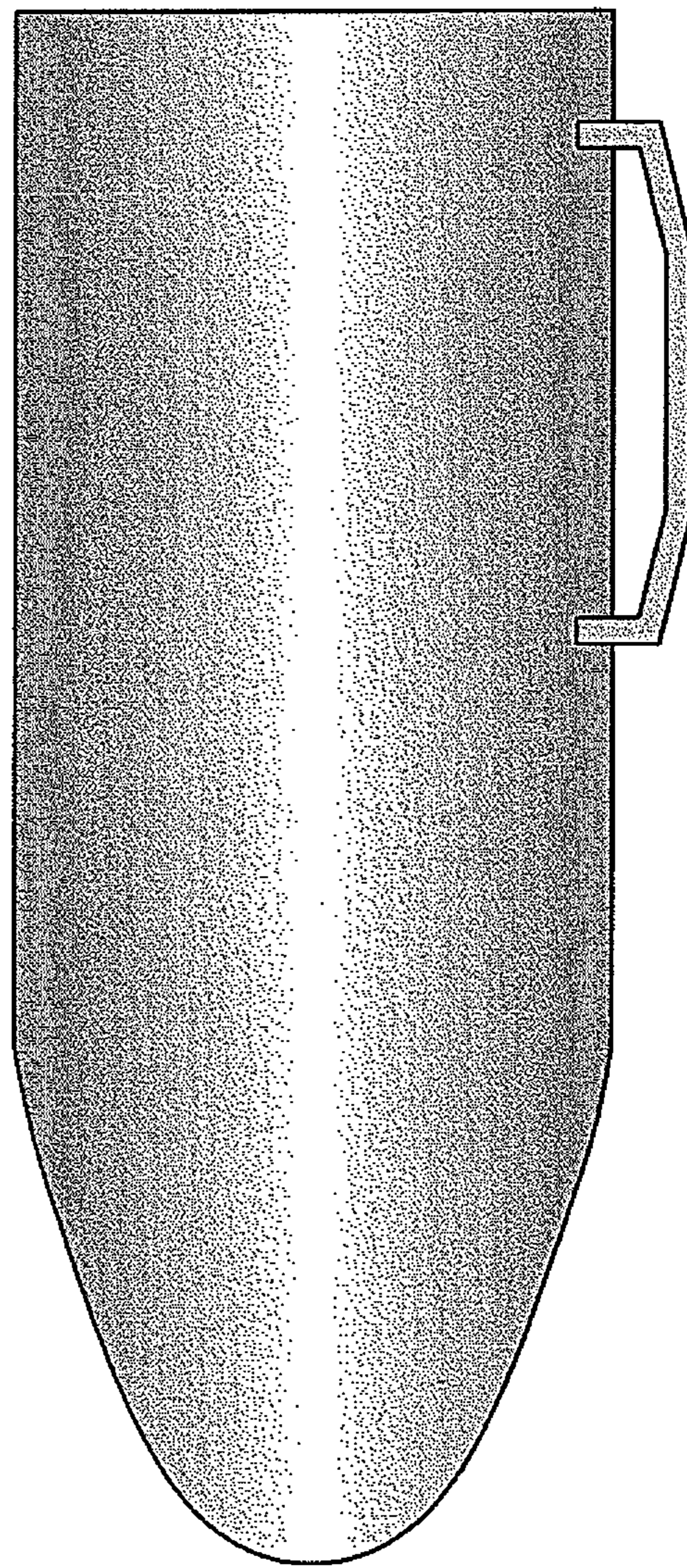


Figure 10

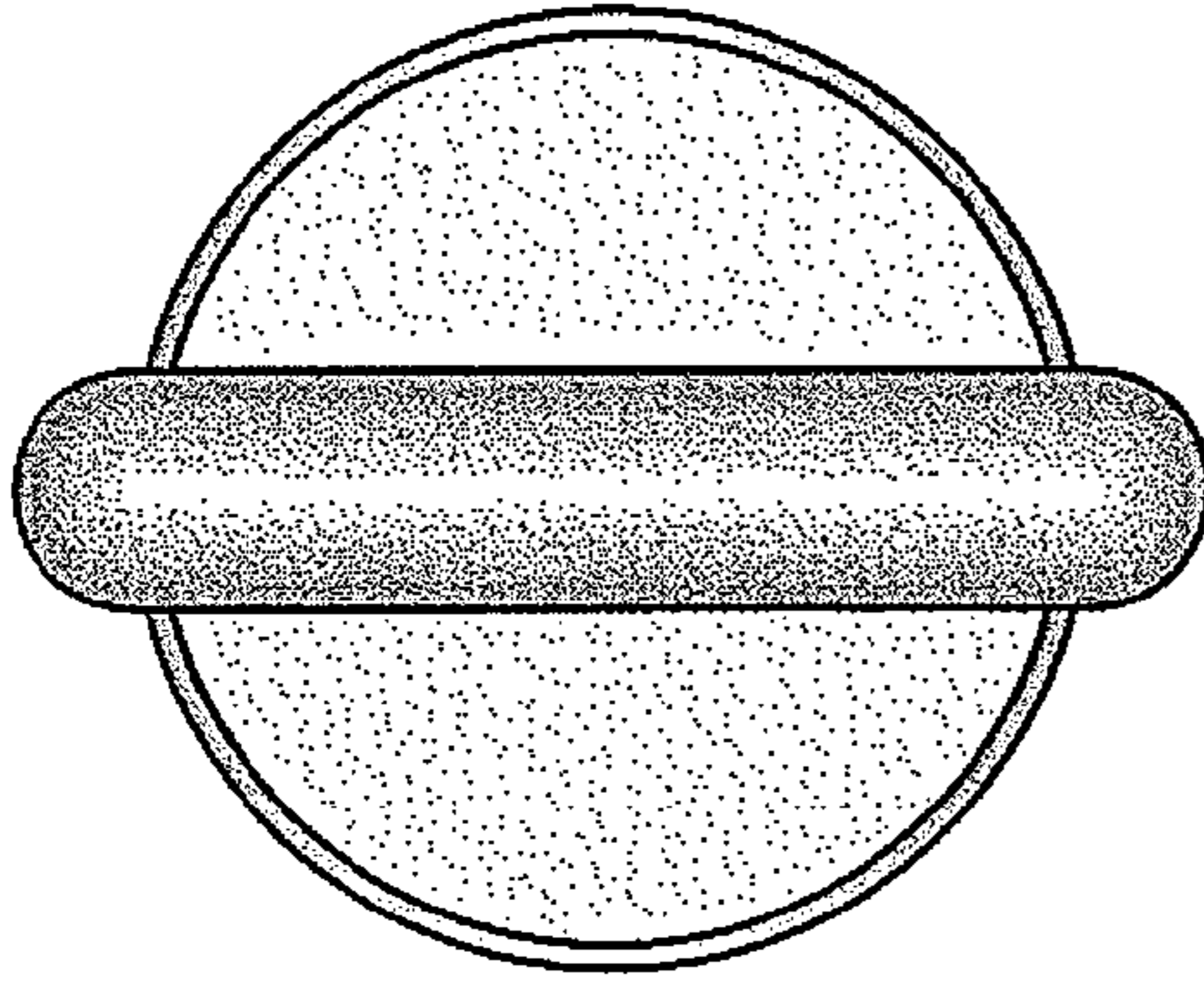


Figure 11

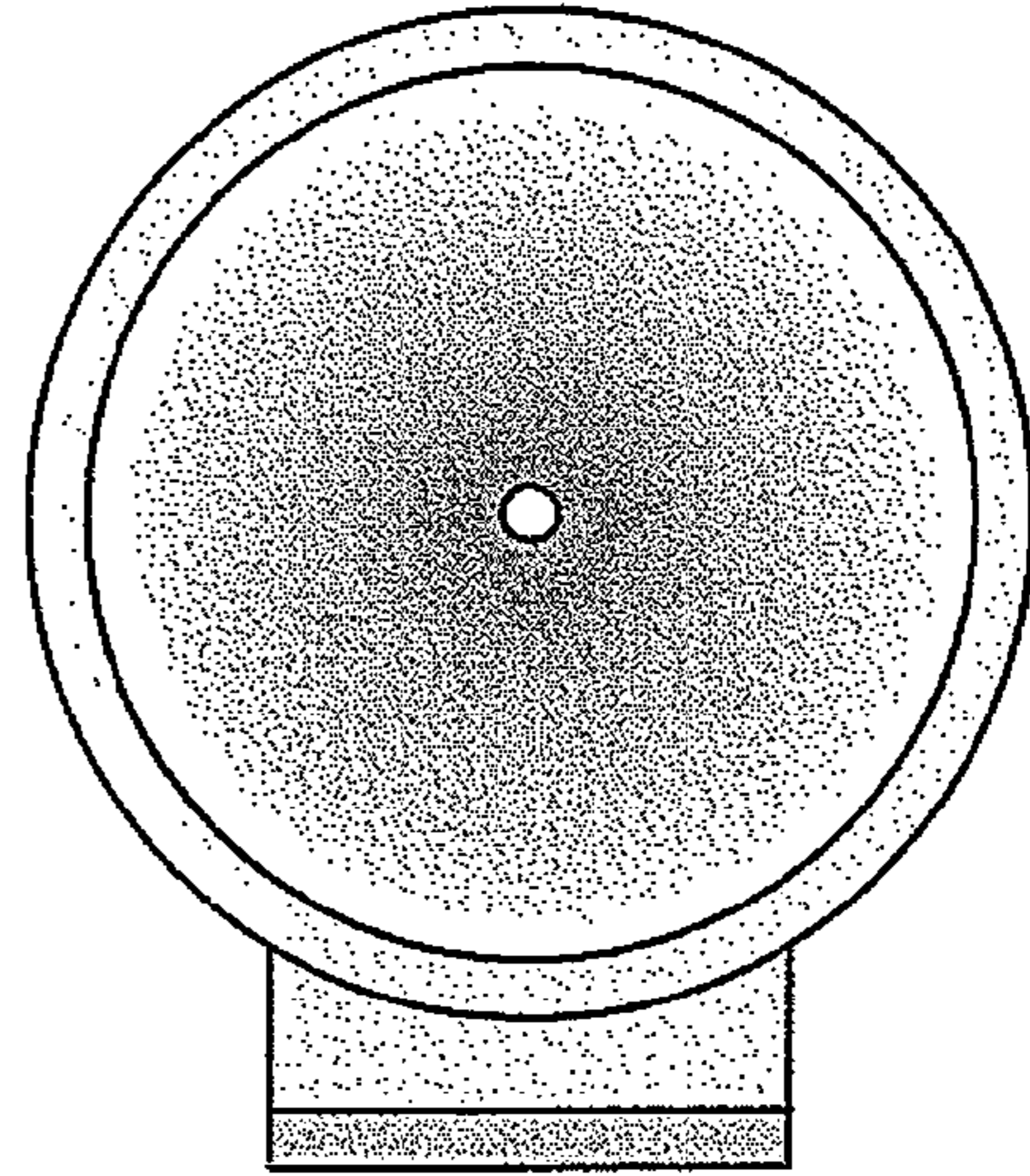


Figure 12

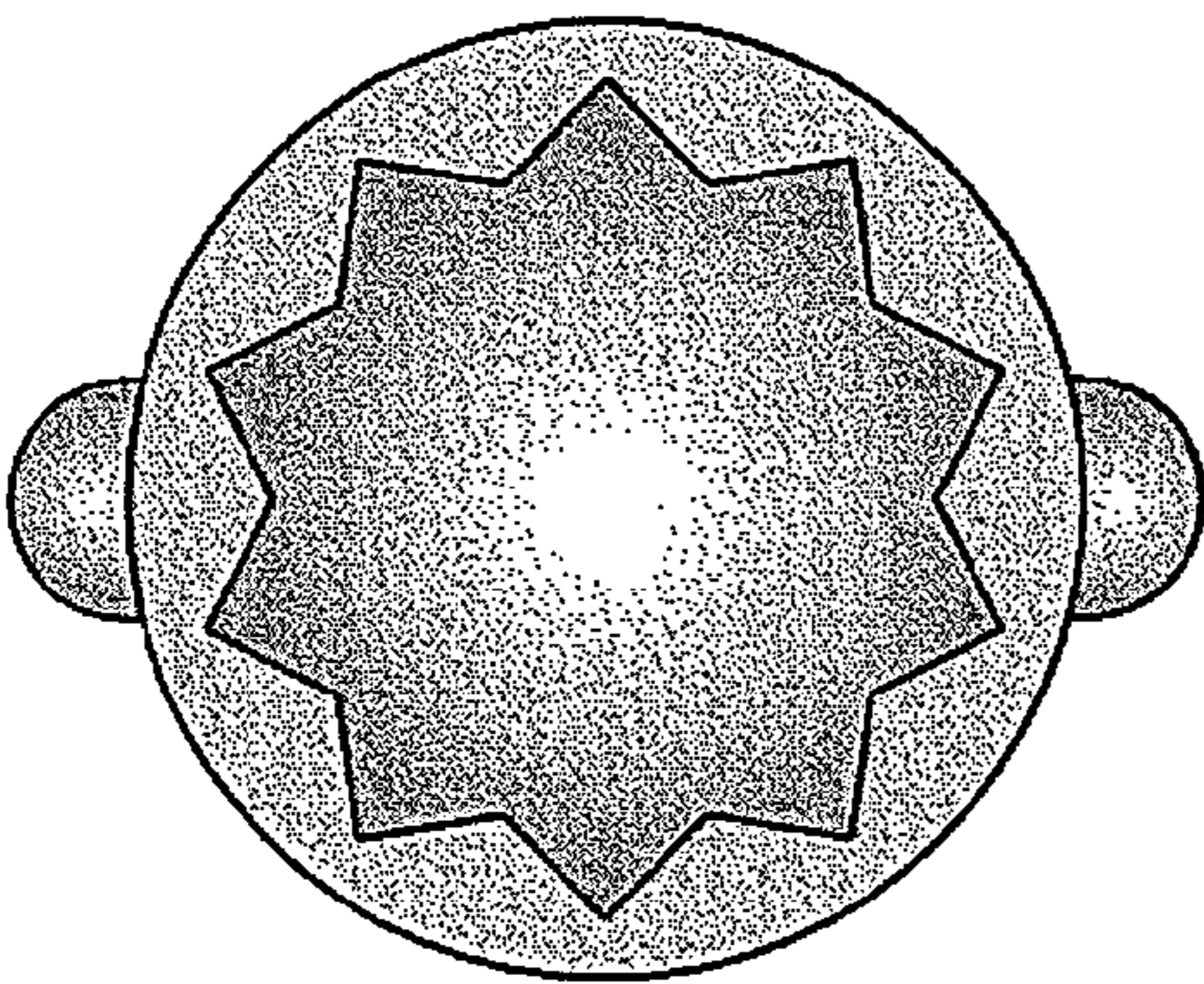


Figure 13

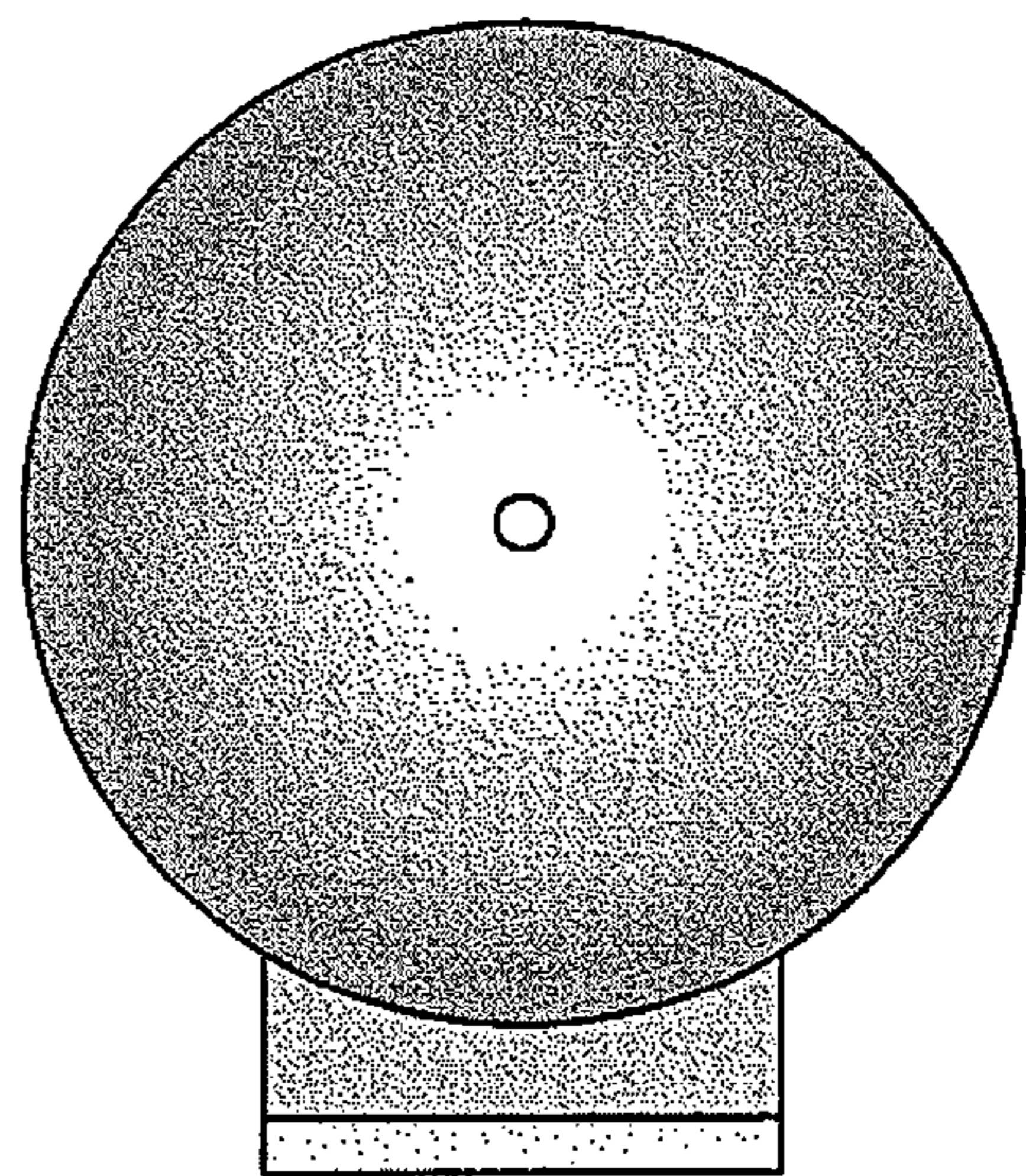


Figure 14