



US00D684658S

(12) **United States Design Patent**
De Frisco

(10) **Patent No.:** **US D684,658 S**
(45) **Date of Patent:** **** Jun. 18, 2013**

(54) **FLOAT**
(71) Applicant: **Guy F De Frisco**, Valencia, CA (US)
(72) Inventor: **Guy F De Frisco**, Valencia, CA (US)
(**) Term: **14 Years**
(21) Appl. No.: **29/439,835**

D466,582 S * 12/2002 Haney D22/146
D498,814 S * 11/2004 Valeriote D22/146
D514,191 S * 1/2006 Mah D22/146
D562,934 S * 2/2008 Haney D22/146

* cited by examiner

Primary Examiner — Catheri Oliver-Garcia
(74) *Attorney, Agent, or Firm* — Gary Schnittgrund

(22) Filed: **Dec. 15, 2012**
(51) **LOC (9) Cl.** **22-05**
(52) **U.S. Cl.**
USPC **D22/146**
(58) **Field of Classification Search**
USPC D22/146, 144-145; 43/43.11, 44.87,
43/44.93, 17, 44.88, 44.95, 44.91, 44.9
See application file for complete search history.

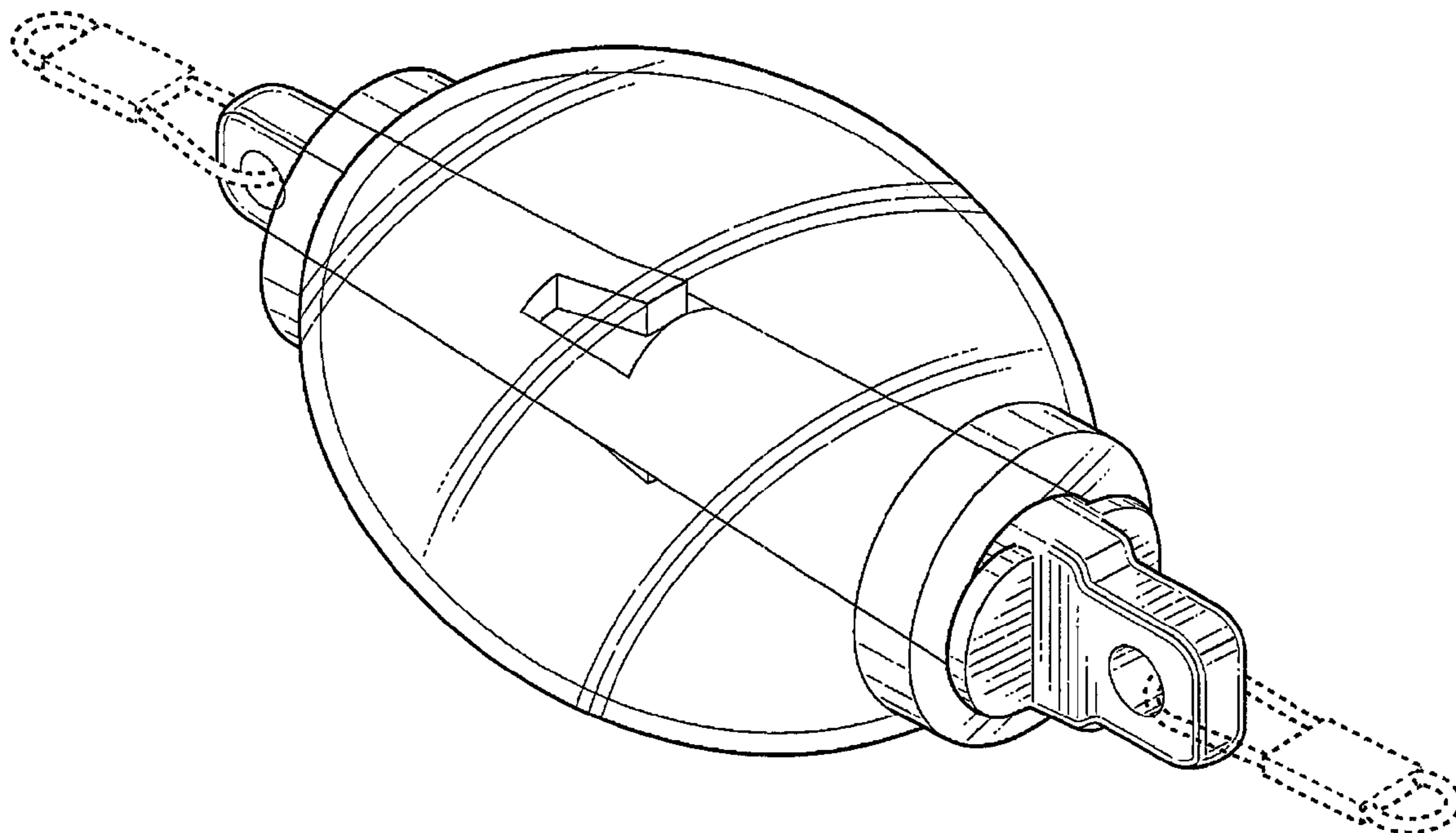
(57) **CLAIM**
The ornamental design for a float, as shown.

DESCRIPTION

FIG. 1 is a side perspective view of the float showing my new design;
FIG. 2 is a side elevation view thereof;
FIG. 3 is a top plan view thereof;
FIG. 4 is a left end view thereof; and,
FIG. 5 is a right end view thereof.

(56) **References Cited**
U.S. PATENT DOCUMENTS
2,909,865 A * 10/1959 Ehlert 43/43.11
D442,256 S * 5/2001 Haney D22/146

1 Claim, 2 Drawing Sheets



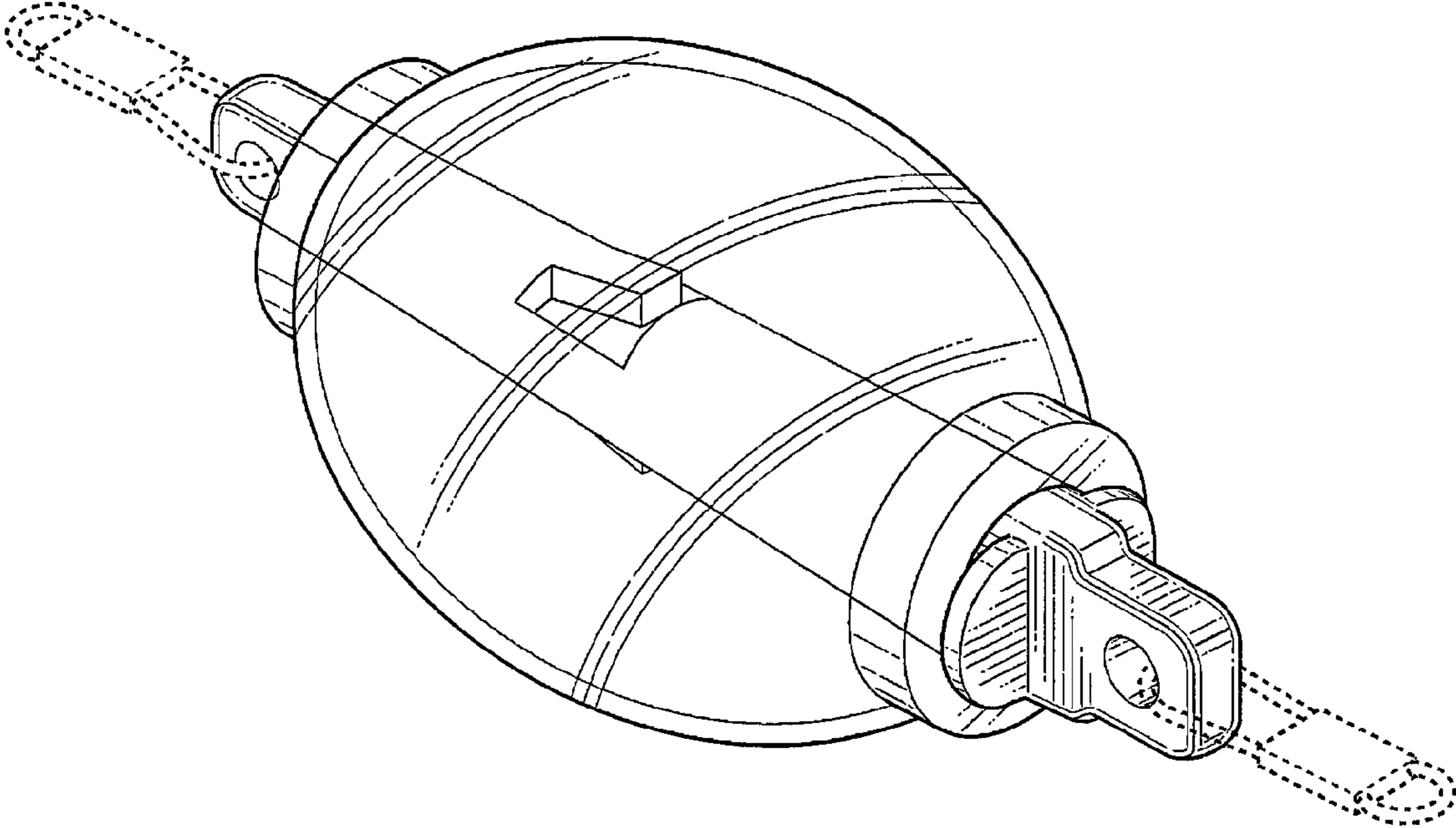


FIG. 1

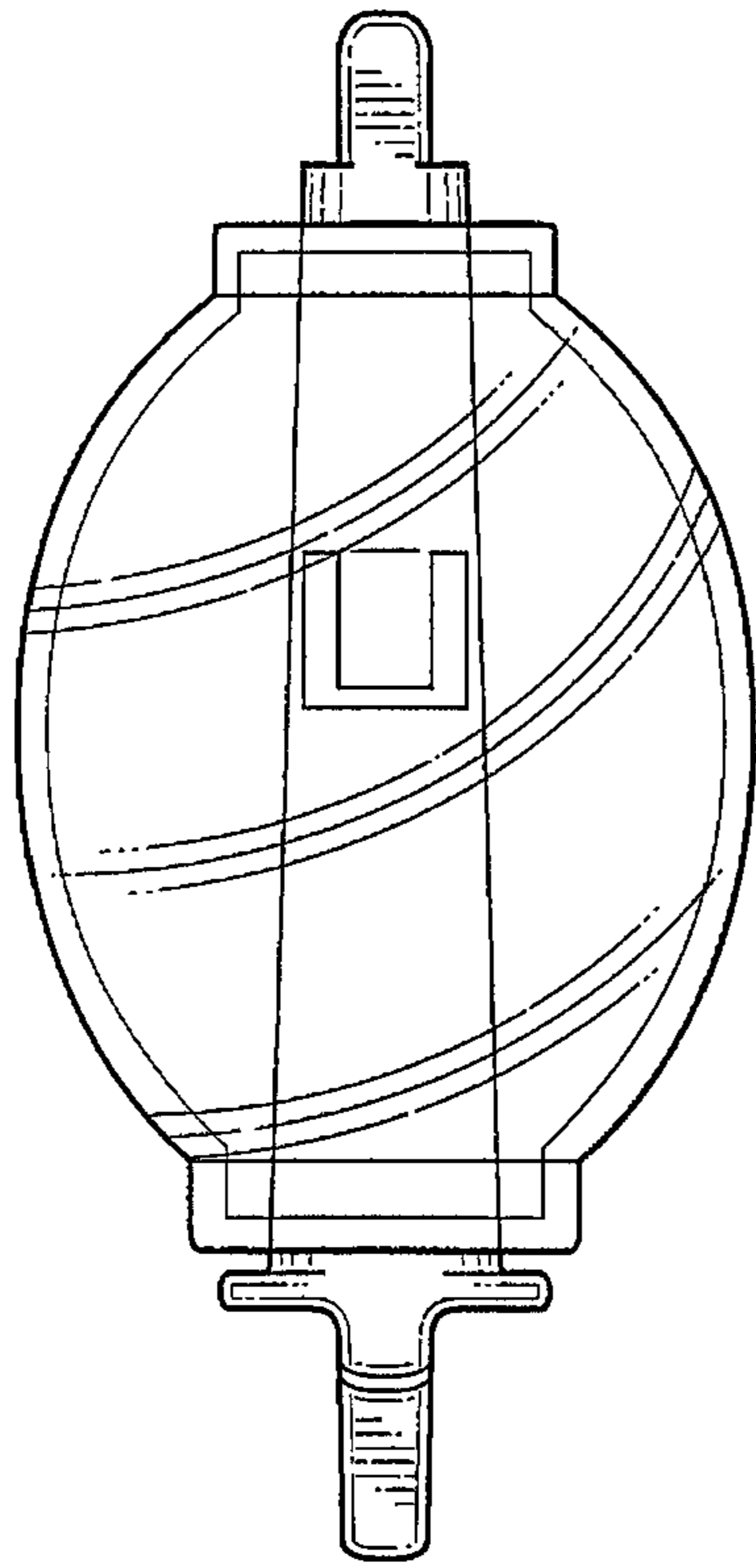


FIG. 2

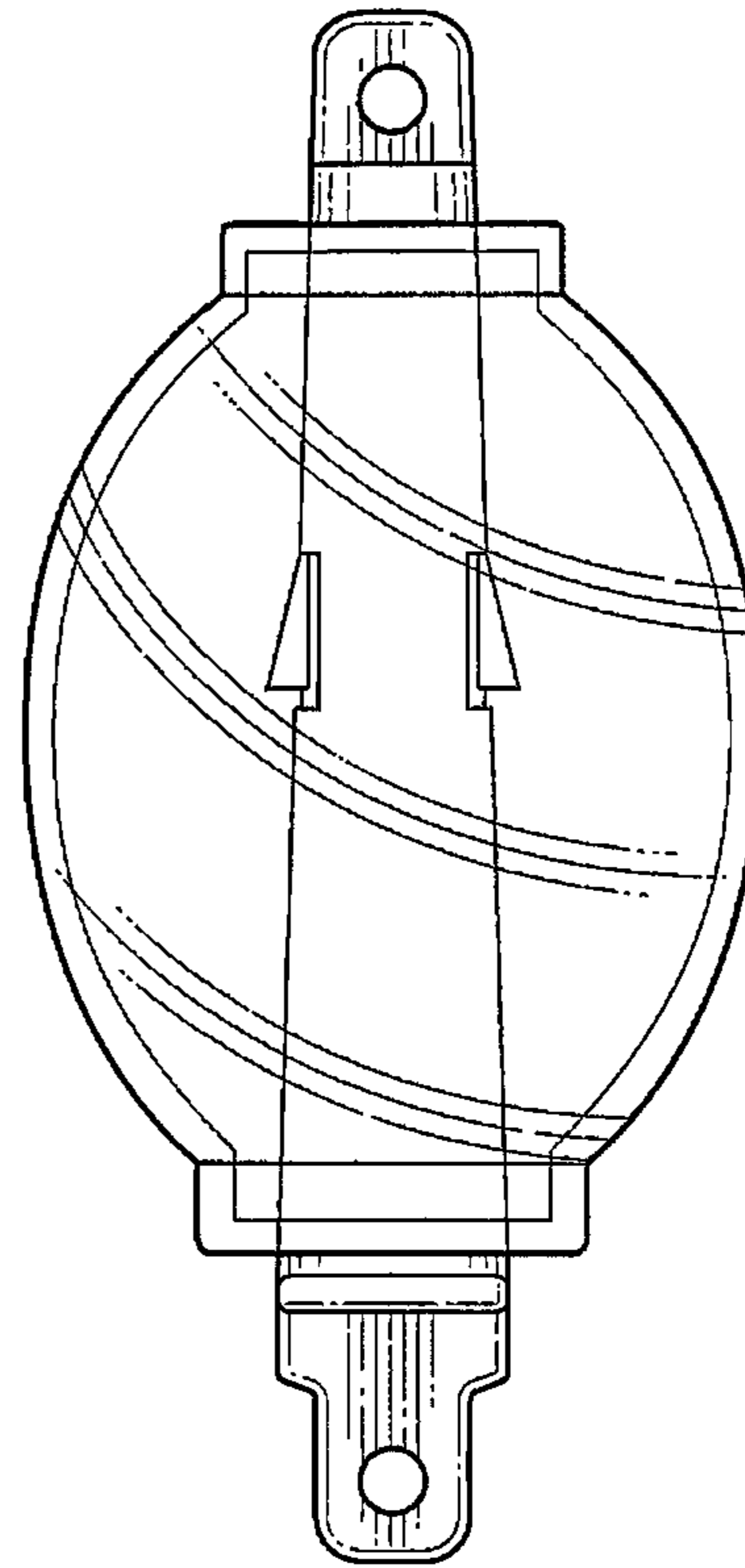


FIG. 3

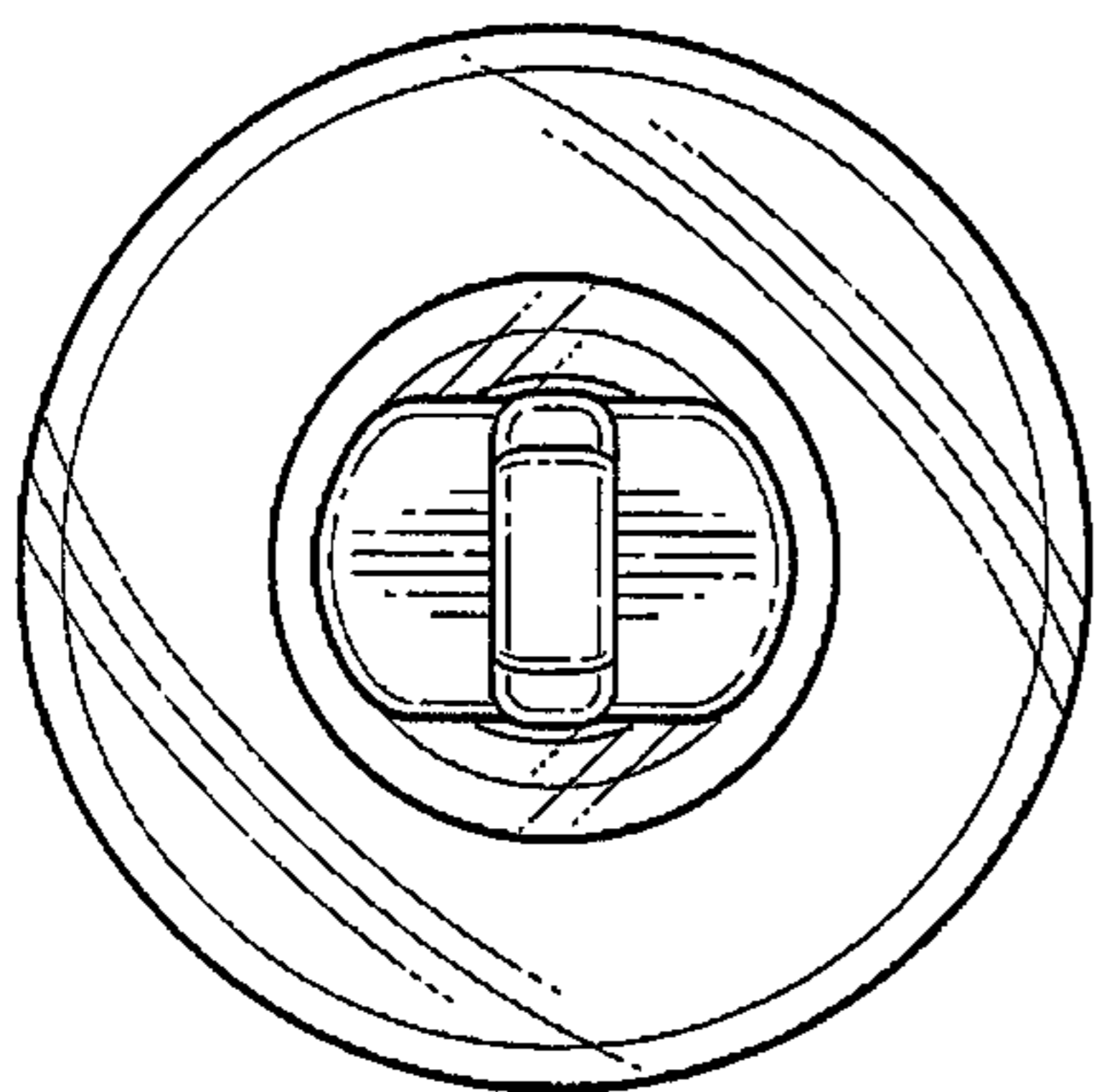


FIG. 4

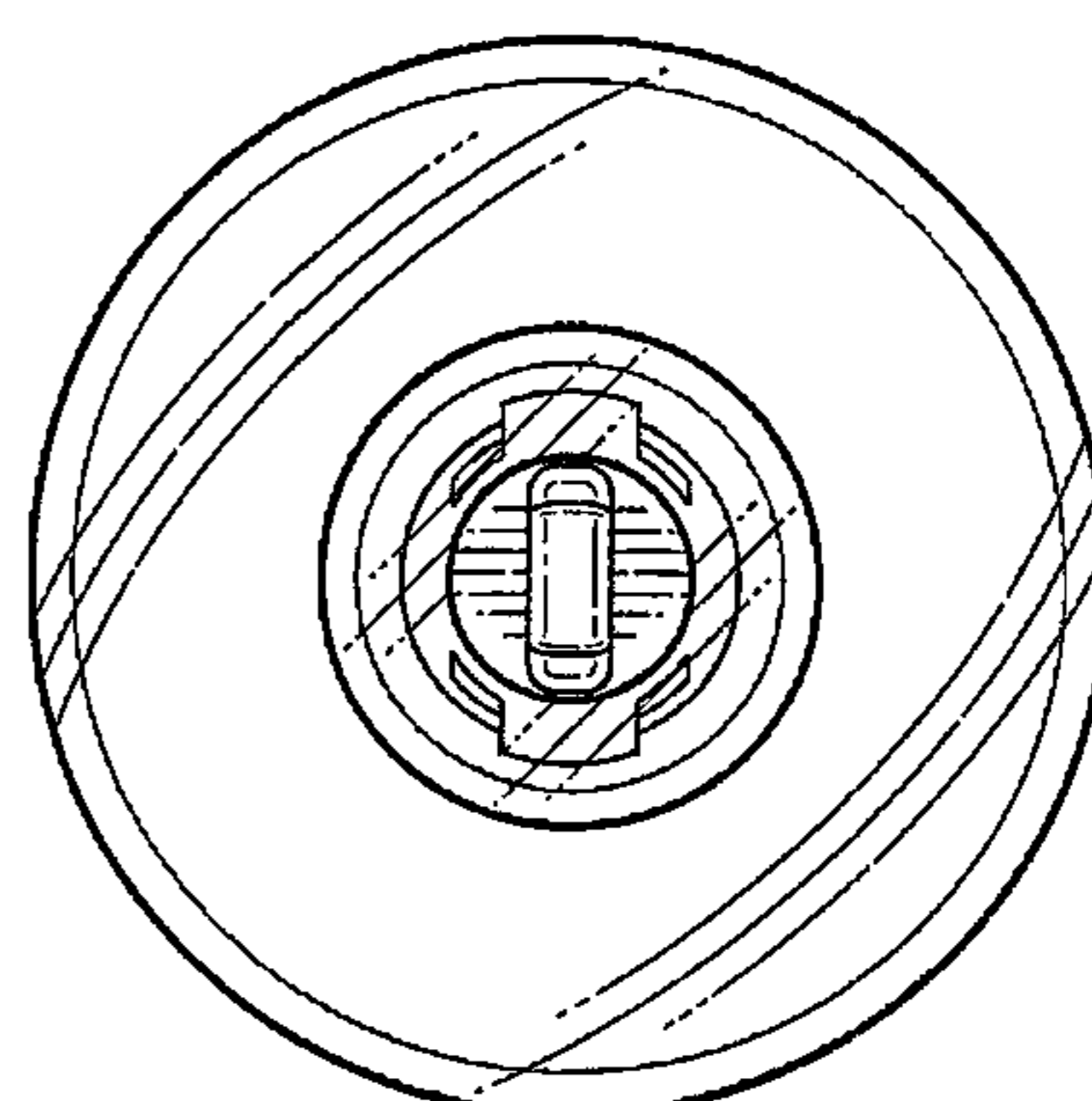


FIG. 5