



US00D684657S

(12) **United States Design Patent**
Asaba

(10) **Patent No.:** **US D684,657 S**
(45) **Date of Patent:** **** Jun. 18, 2013**

(54) **FISHING REEL HANDLE PORTION**

(71) Applicant: **Shimano Inc.**, Osaka (JP)

(72) Inventor: **Mariko Asaba**, Osaka (JP)

(73) Assignee: **Shimano Inc.**, Osaka (JP)

(**) Term: **14 Years**

(21) Appl. No.: **29/439,320**

(22) Filed: **Dec. 10, 2012**

(30) **Foreign Application Priority Data**

Jun. 29, 2012 (JP) 2012-015515

(51) **LOC (9) Cl.** **22-05**

(52) **U.S. Cl.**
USPC **D22/141**

(58) **Field of Classification Search**
USPC D22/137-141; 43/19-21; D8/308-309
See application file for complete search history.

(56) **References Cited**

U.S. PATENT DOCUMENTS

D276,254 S	*	11/1984	Robbins	D22/141
D400,958 S	*	11/1998	Shibata et al.	D22/140
D516,161 S		2/2006	Iwabuchi		
D530,778 S	*	10/2006	Young	D22/141
D595,806 S	*	7/2009	Nago	D22/140
D613,364 S	*	4/2010	Koelewyn	D22/141
D627,422 S		11/2010	Tabuse		
D655,370 S		3/2012	McCune		

FOREIGN PATENT DOCUMENTS

JP D1305726 S 7/2007

* cited by examiner

Primary Examiner — Catheri Oliver-Garcia

(74) *Attorney, Agent, or Firm* — Global IP Counselors

(57) **CLAIM**

The ornamental design for a fishing reel handle portion, as shown and described.

DESCRIPTION

FIG. 1 is a first perspective view of a fishing reel handle portion in accordance with my new design;

FIG. 2 is a second perspective view of the fishing reel handle portion illustrated in FIG. 1 that is opposite side view of FIG. 1;

FIG. 3 is a first side elevational view of the fishing reel handle portion illustrated in FIG. 1;

FIG. 4 is a second side elevational view of the fishing reel handle portion illustrated in FIG. 1 that is opposite side view of FIG. 1;

FIG. 5 is a top plan view of the fishing reel handle portion illustrated in FIG. 1;

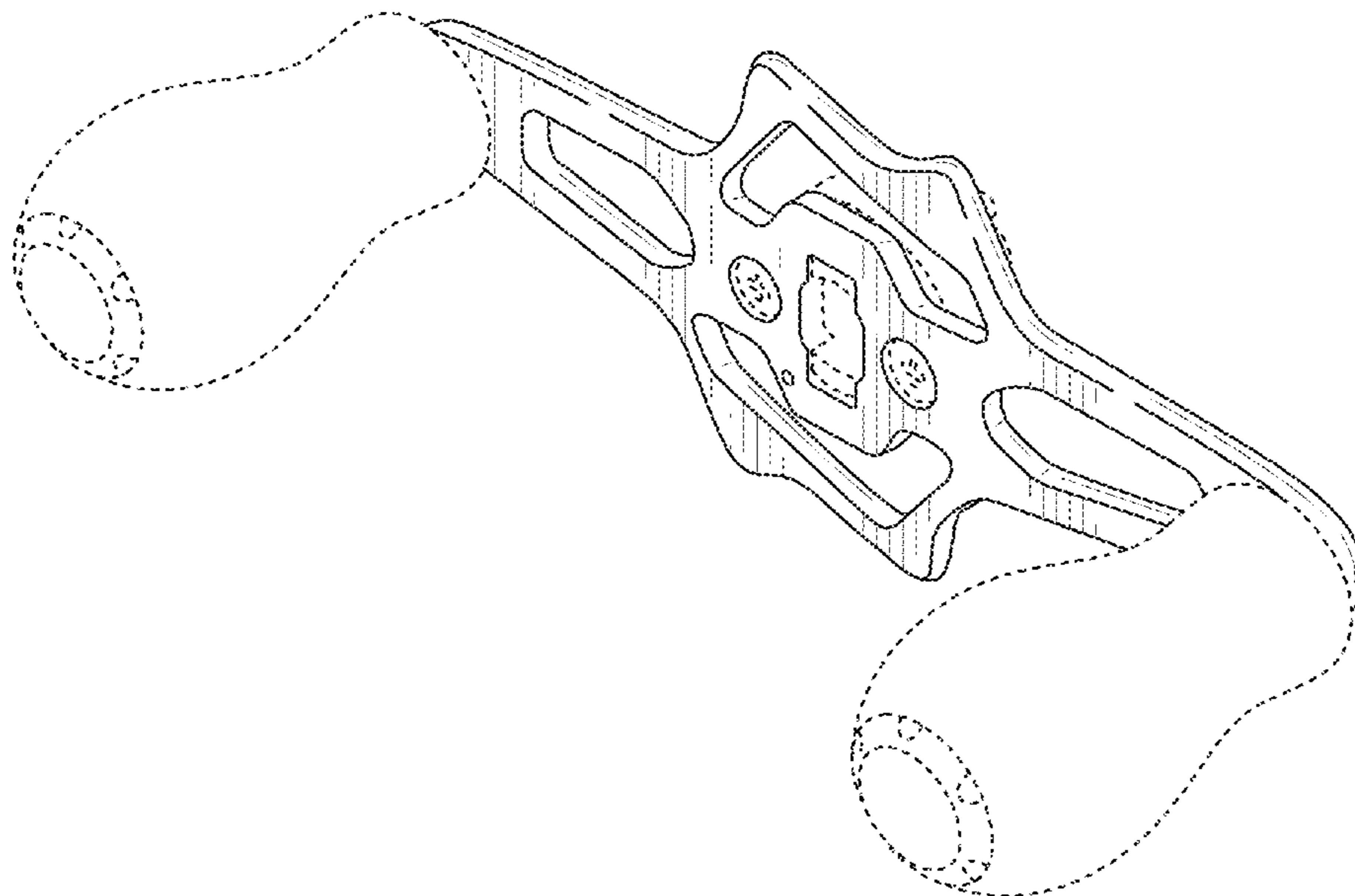
FIG. 6 is a bottom plan view of the fishing reel handle portion illustrated in FIG. 1;

FIG. 7 is a right side elevational view of the fishing reel handle portion illustrated in FIG. 1; and,

FIG. 8 is a left side elevational view of the fishing reel handle portion illustrated in FIG. 1.

The broken line showing of the fishing reel is for purpose of illustrating environmental structure and forms no part of the claimed design.

1 Claim, 3 Drawing Sheets



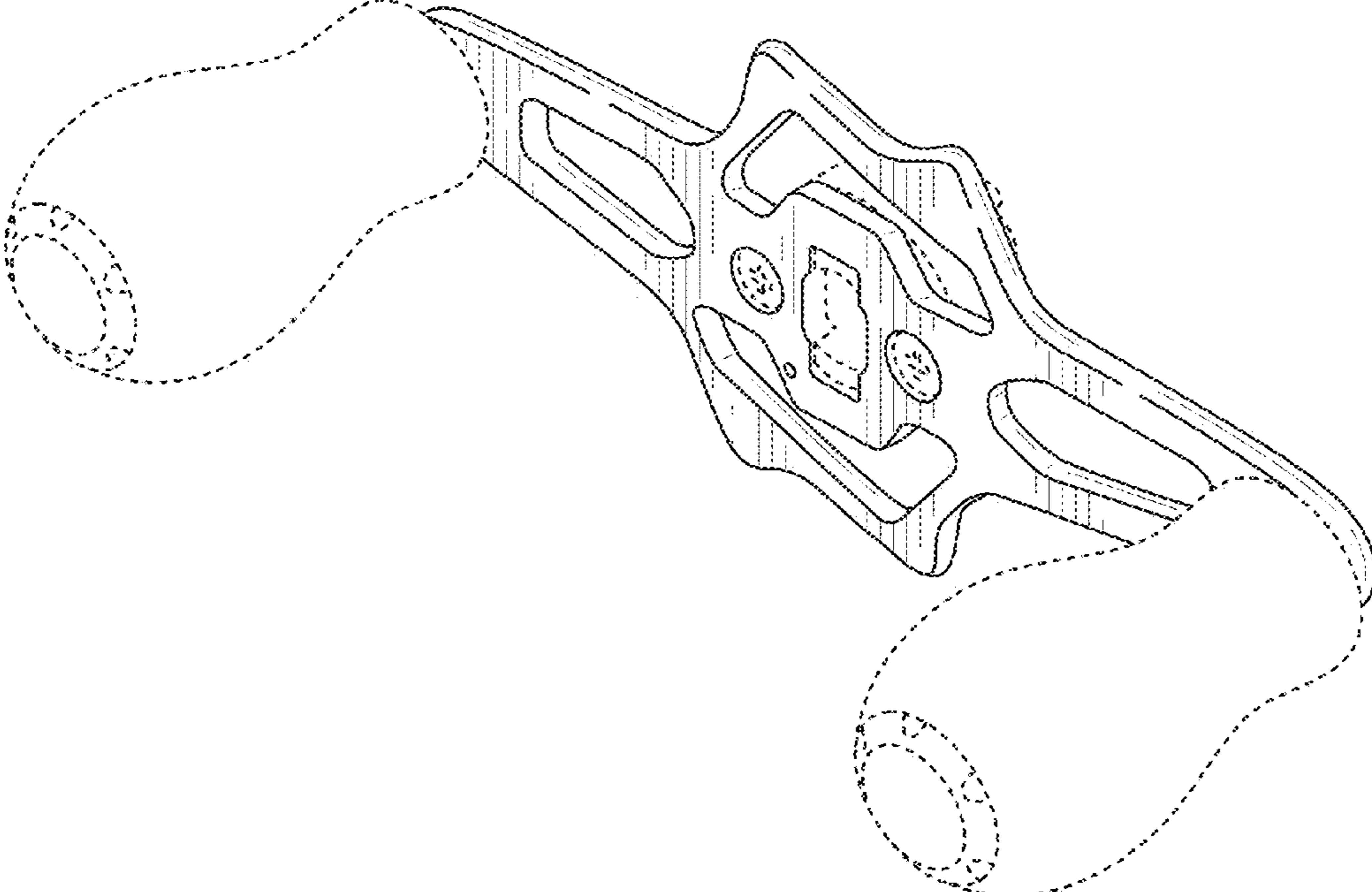


FIG. 1

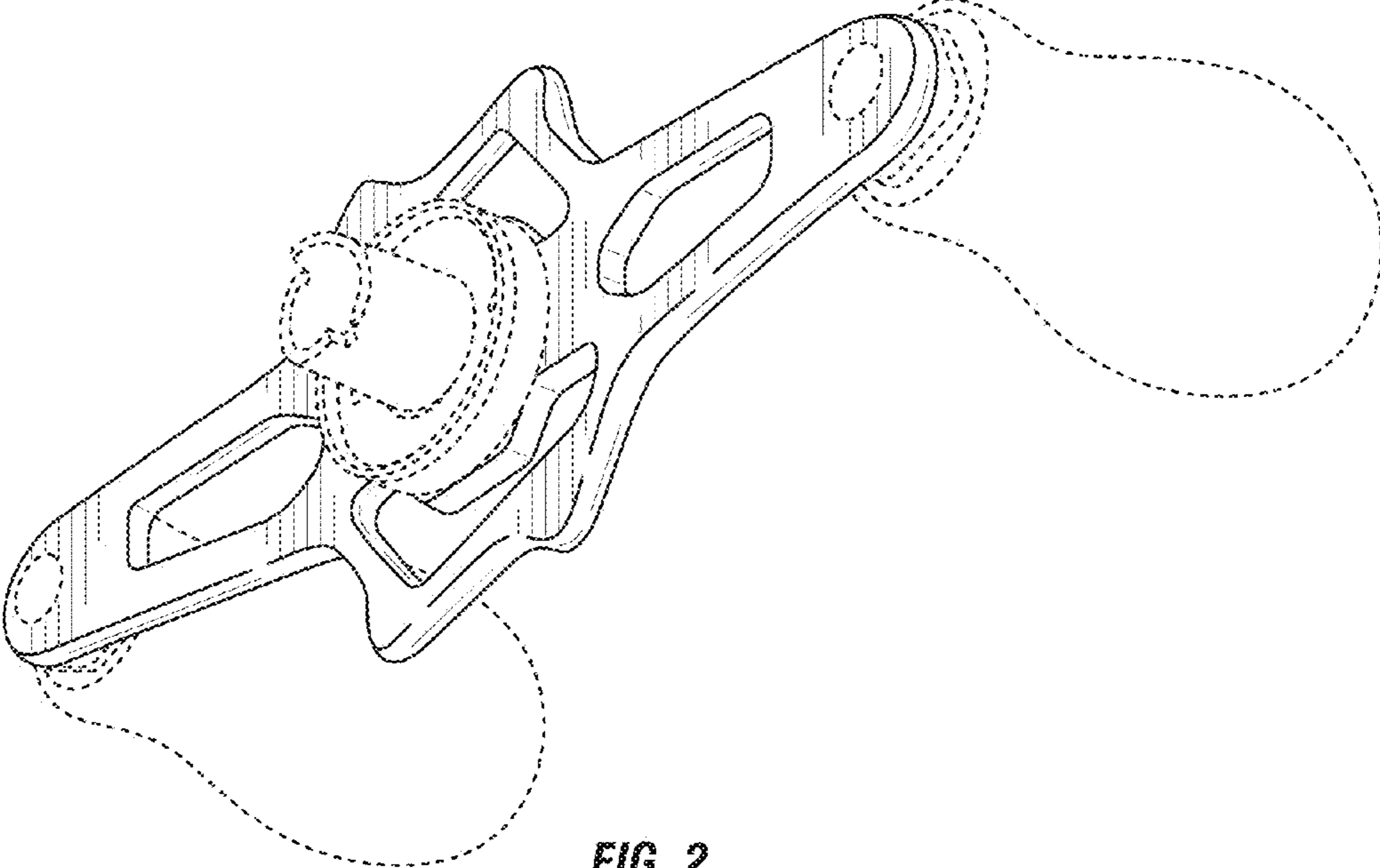


FIG. 2

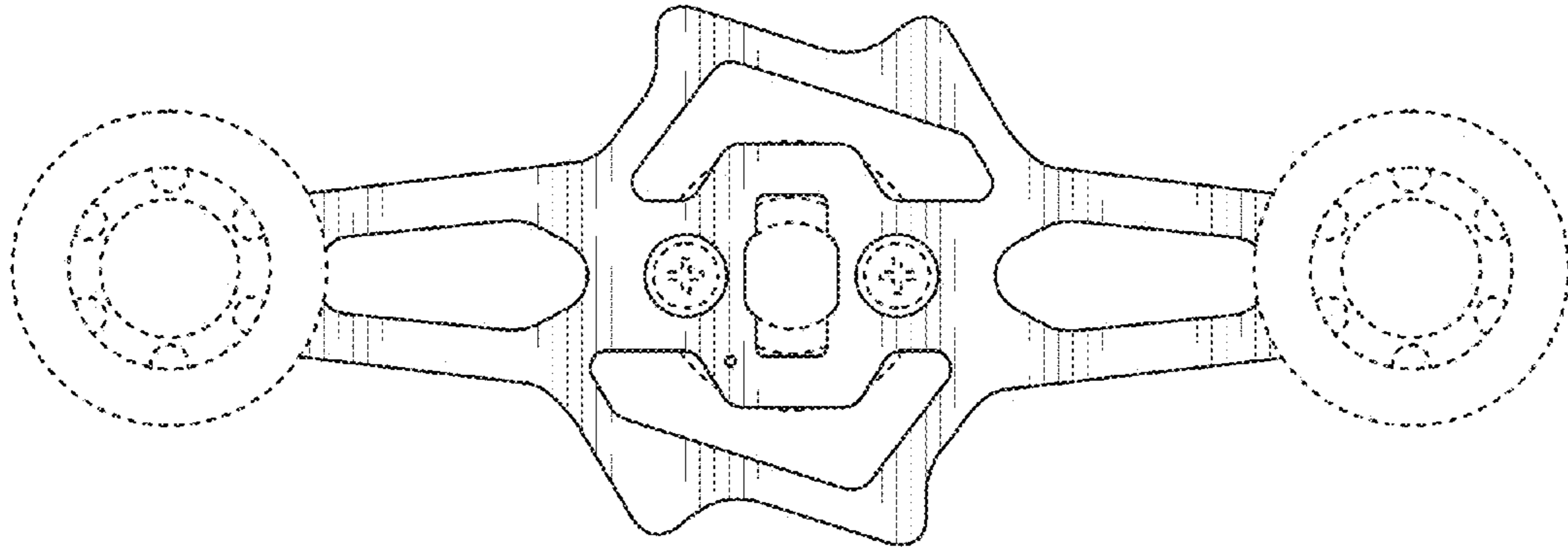


FIG. 3

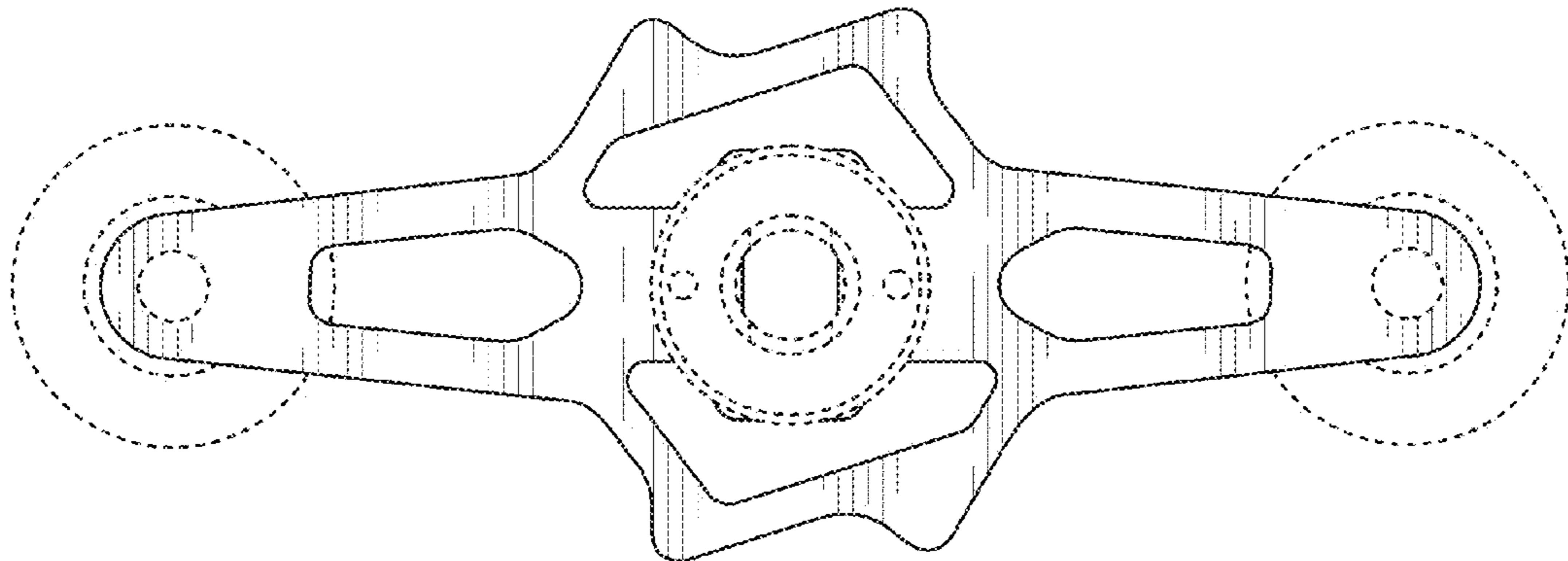


FIG. 4

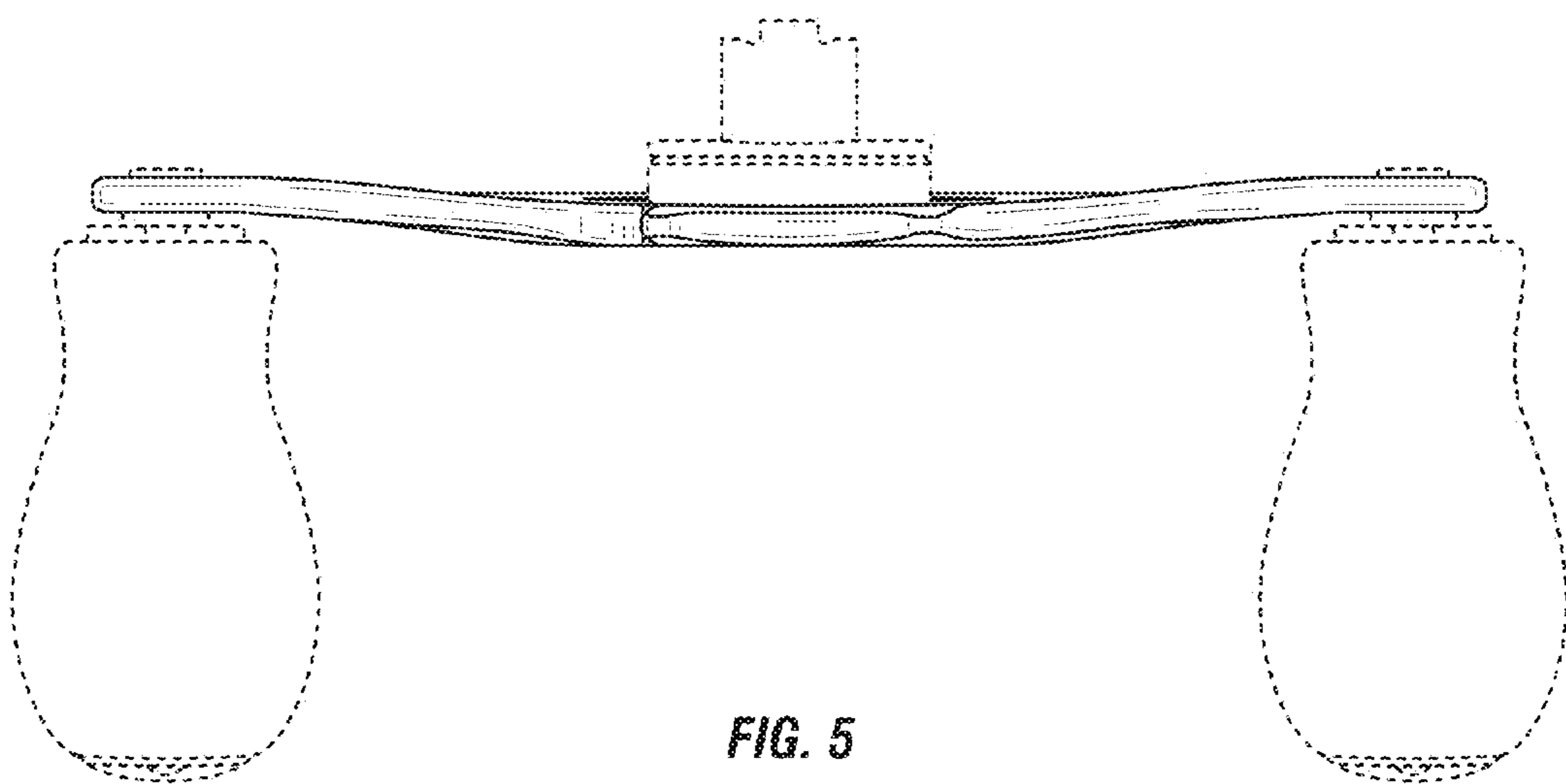


FIG. 5

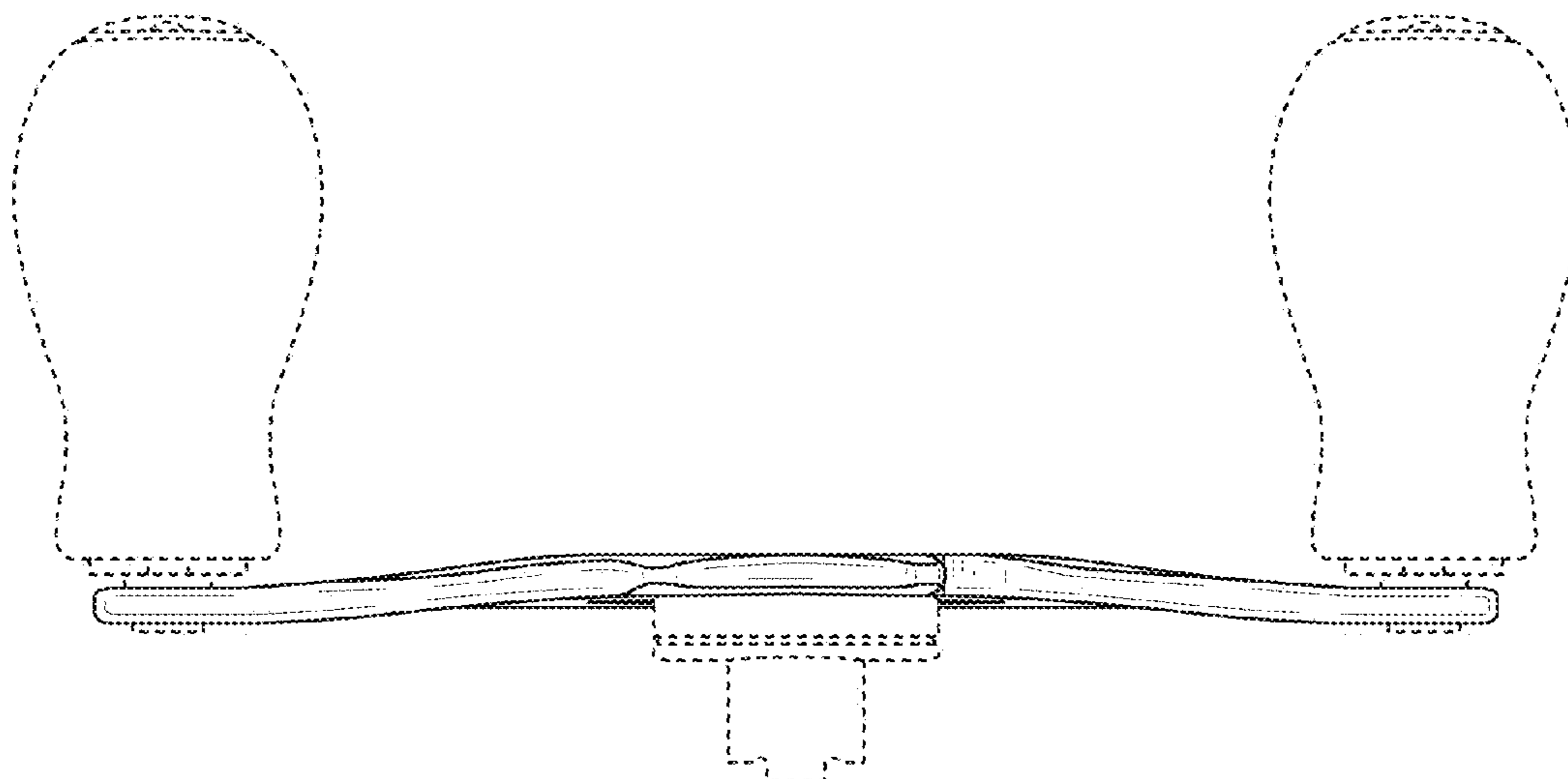


FIG. 6

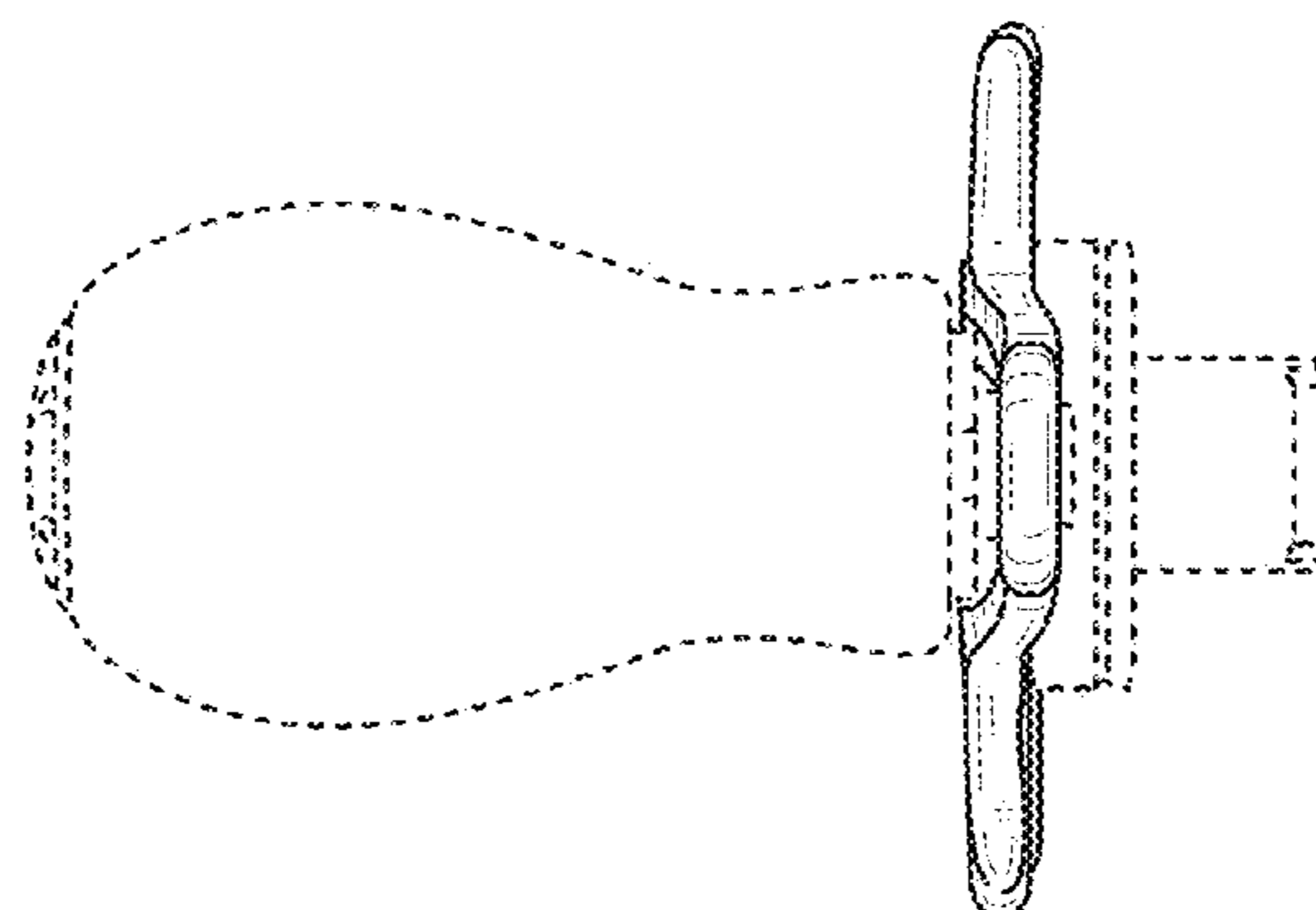


FIG. 7

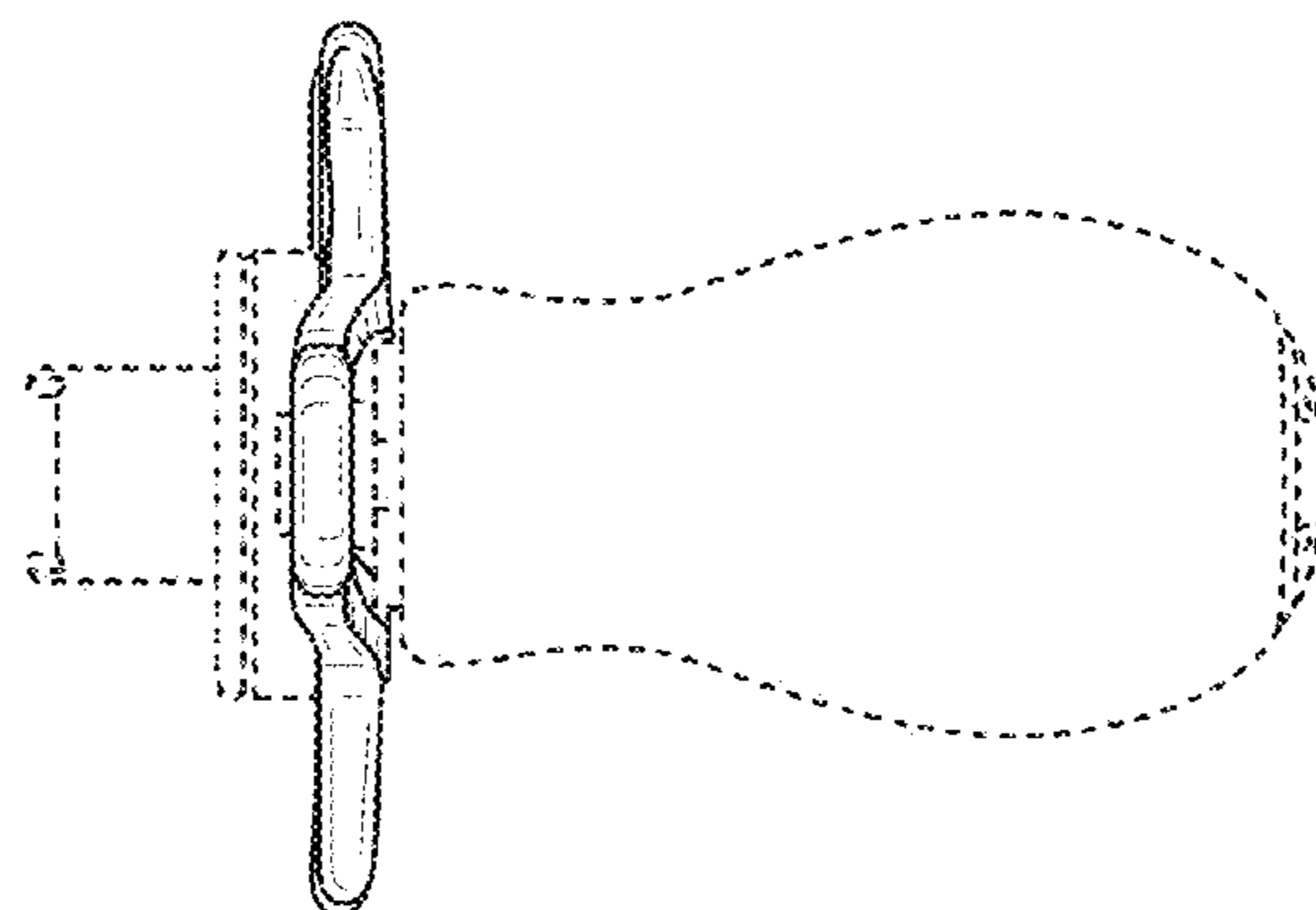


FIG. 8