



US00D684653S

(12) **United States Design Patent**
Smith et al.

(10) **Patent No.:** **US D684,653 S**
(45) **Date of Patent:** **** Jun. 18, 2013**

(54) **RETICLE FOR A RIFLESCOPE OR OTHER PROJECTILE WEAPON AIMING DEVICE**

(75) Inventors: **James A. Smith**, Keller, TX (US);
Stephen Ray Hodge, North Plains, OR (US)

(73) Assignee: **Leupold & Stevens, Inc.**, Beaverton, OR (US)

(**) Term: **14 Years**

(21) Appl. No.: **29/412,278**

(22) Filed: **Feb. 1, 2012**

(51) **LOC (9) Cl.** **22-01**

(52) **U.S. Cl.**
USPC **D22/109**

(58) **Field of Classification Search**
USPC D22/108–109; 250/467.1; D14/404;
D16/130–133, 134–136; 356/21, 138, 139,
356/139.1, 139.02; 33/227, 297, 298, 299;
42/111, 113, 122, 124, 130, 134–135; 235/414;
89/19, 161, 200–204; 359/424, 428
See application file for complete search history.

(56) **References Cited**

U.S. PATENT DOCUMENTS

3,190,003	A *	6/1965	O'Brien	33/297
3,392,450	A *	7/1968	Herter et al.	42/122
4,285,137	A *	8/1981	Jennie	42/122
4,584,776	A *	4/1986	Shepherd	42/122
D285,540	S *	9/1986	Allen	D10/74
4,789,231	A *	12/1988	Shimizu	359/422
D306,173	S *	2/1990	Reese	D16/130
D397,704	S *	9/1998	Reese	D16/130
D403,686	S *	1/1999	Reese	D16/130
5,920,995	A *	7/1999	Sammur	42/122
6,032,374	A *	3/2000	Sammur	42/122
7,100,320	B2	9/2006	Verdugo	
7,325,353	B2	2/2008	Cole	
D567,324	S *	4/2008	Pride et al.	D22/109

D567,325	S *	4/2008	Pride et al.	D22/109
D567,896	S *	4/2008	Pride et al.	D22/109
D570,441	S *	6/2008	Pride et al.	D22/109
7,603,804	B2 *	10/2009	Zaderey et al.	42/122
D613,363	S *	4/2010	Huber	D22/109
D631,125	S *	1/2011	Huber	D22/109
2005/0229468	A1 *	10/2005	Zaderey et al.	42/122
2006/0026887	A1	2/2006	Verdugo	
2006/0260171	A1	11/2006	Cole et al.	
2007/0044364	A1 *	3/2007	Sammur et al.	42/122
2008/0010891	A1	1/2008	Cole	
2008/0098640	A1 *	5/2008	Sammur et al.	42/122
2009/0199451	A1	8/2009	Zaderey	
2011/0132983	A1	6/2011	Sammur et al.	
2012/0186130	A1	7/2012	Tubb	

OTHER PUBLICATIONS

Valdada, "QR-TS 3x25 30mm Tactical BDC .223 Scope Illuminated CQB Reticle," published at least one year prior to filing the present application.

* cited by examiner

Primary Examiner — Michael A Pratt

(74) *Attorney, Agent, or Firm* — Stoel Rives LLP

(57) **CLAIM**

We claim the ornamental design for a reticle for a riflescope or other projectile weapon aiming device, as shown and described.

DESCRIPTION

FIG. 1 is a view of a reticle for a riflescope or other projectile weapon aiming device, as viewed at high-zoom through an eyepiece end of a riflescope;
FIG. 2 is a view of the reticle of FIG. 1, as viewed at low-zoom through an eyepiece end of a riflescope; and,
FIG. 3 is a perspective view of an environment of use for the reticle of FIG. 1.
In FIGS. 1, 2, and 3, the dashed lines indicate environmental features that form no part of the claimed invention.

1 Claim, 3 Drawing Sheets

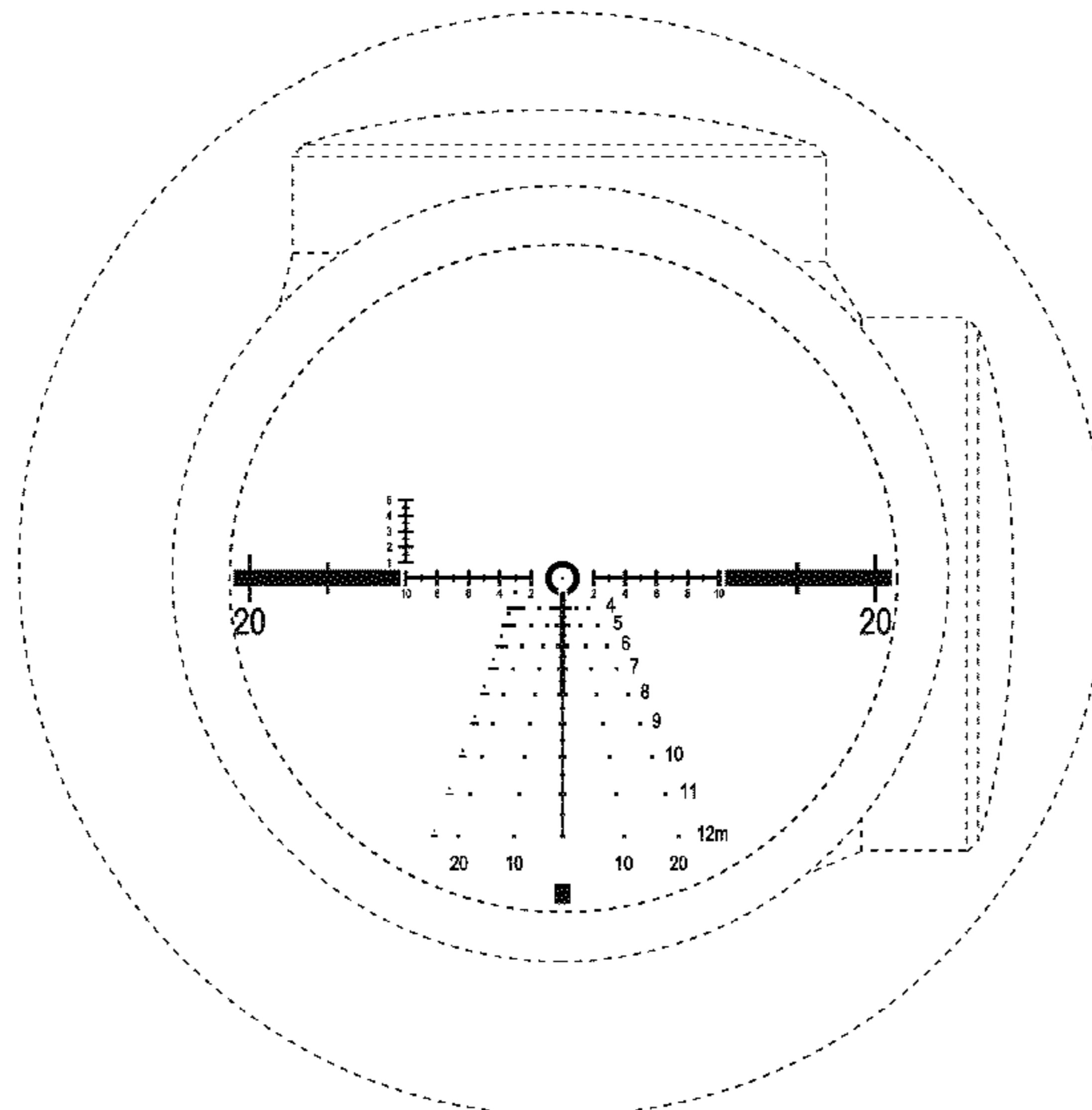


FIG. 1

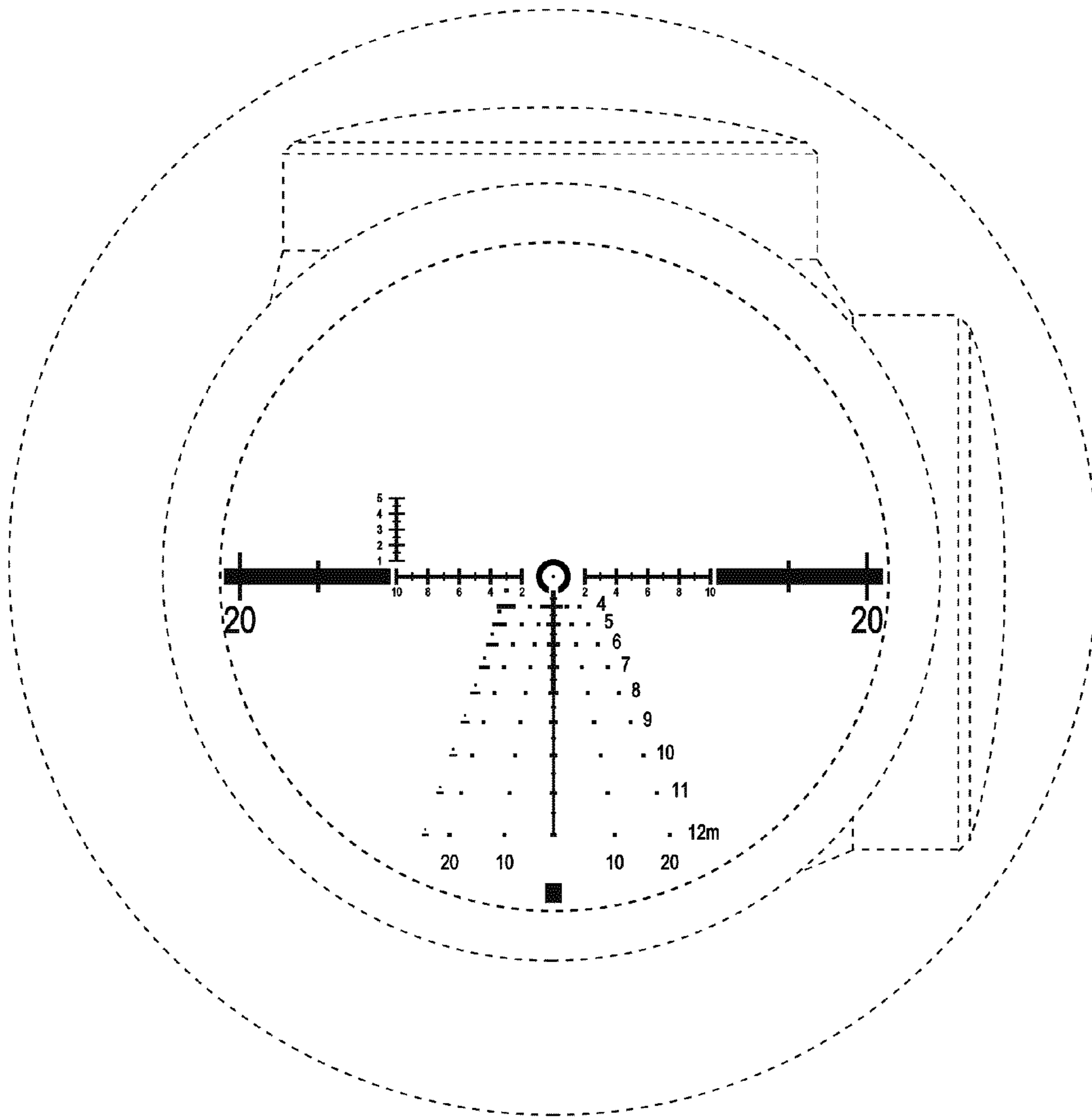
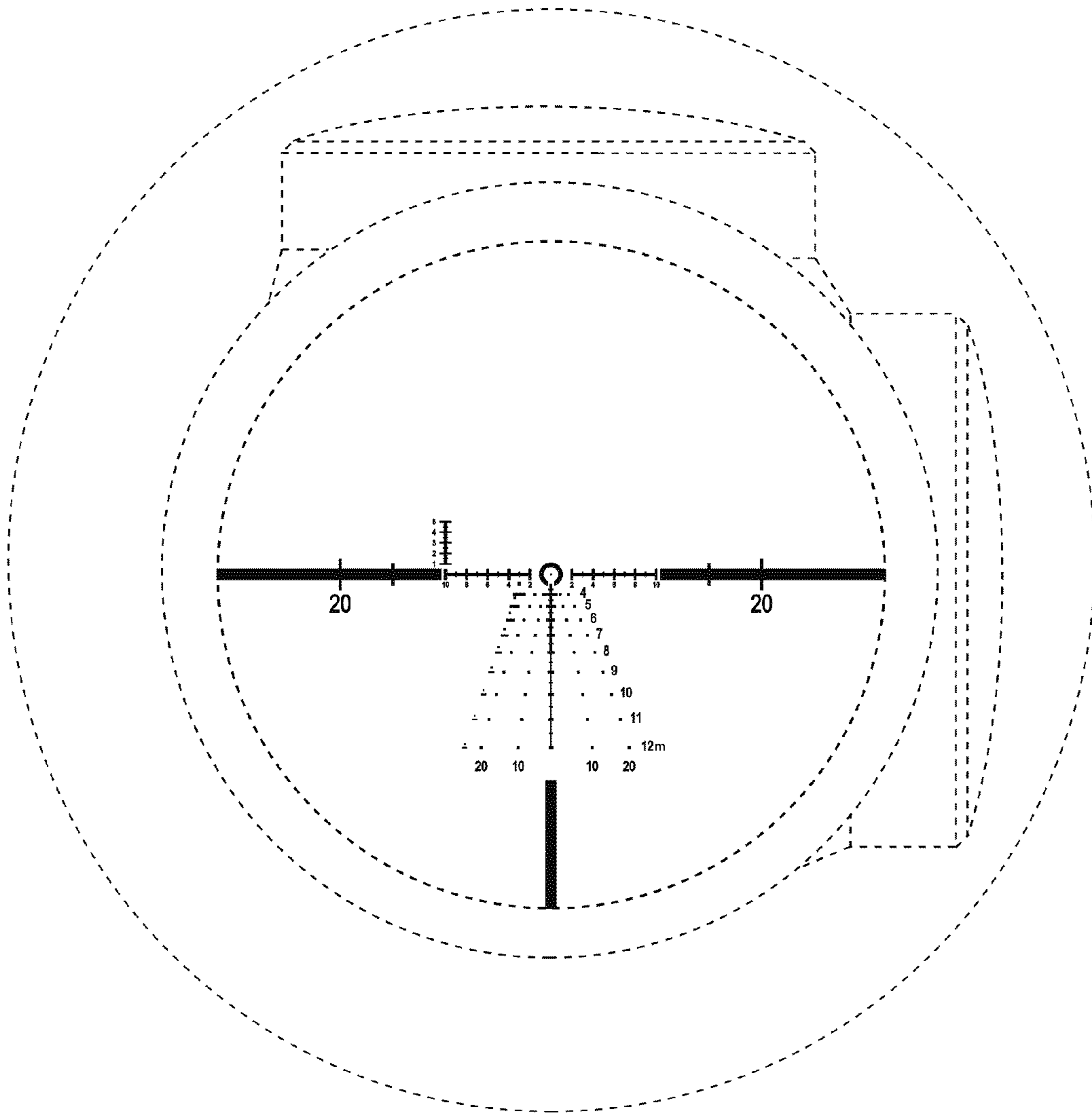


FIG. 2



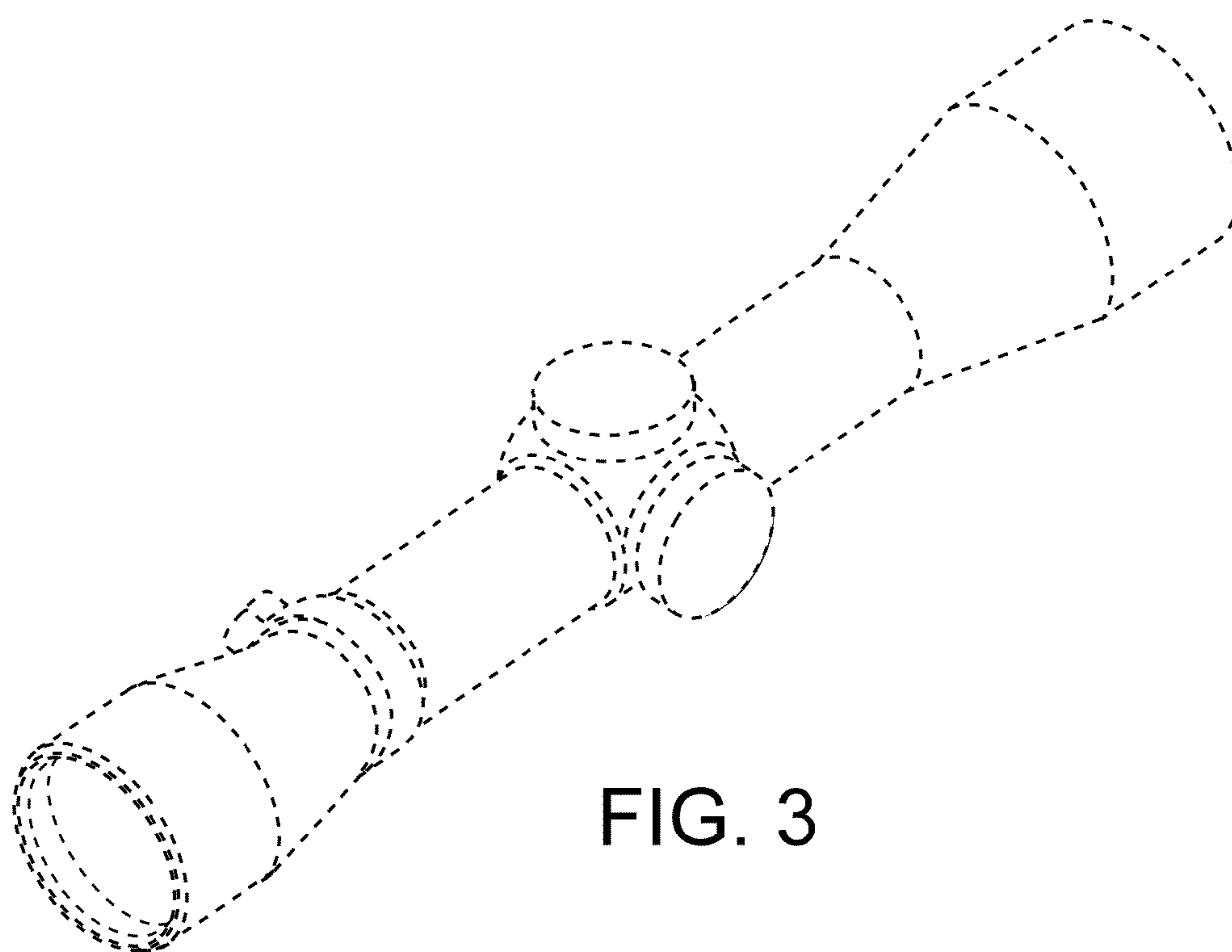


FIG. 3