



US00D684652S

(12) **United States Design Patent**
Delgado Acarreta

(10) **Patent No.:** **US D684,652 S**
(45) **Date of Patent:** **** Jun. 18, 2013**

- (54) **MAGNETIC LEVEL GAUGE FOR AMMUNITION IN FIREARMS**
- (76) Inventor: **Raul Delgado Acarreta**, Navarra (ES)
- (**) Term: **14 Years**
- (21) Appl. No.: **29/428,178**
- (22) Filed: **Jul. 26, 2012**

D646,992 S * 10/2011 Tuli D10/69
 2008/0276517 A1 * 11/2008 Delgado Acarreta 42/1.02
 2011/0252682 A1 * 10/2011 Delgado Acarreta 42/1.02
 2012/0137555 A1 * 6/2012 Hidle 42/1.01

* cited by examiner

Primary Examiner — Michael A Pratt
(74) *Attorney, Agent, or Firm* — Blank Rome LLP

Related U.S. Application Data

- (62) Division of application No. 29/397,268, filed on Jul. 13, 2011.
- (51) **LOC (9) Cl.** **22-01**
- (52) **U.S. Cl.**
USPC **D22/108**
- (58) **Field of Classification Search**
USPC D22/108, 109, 110, 199; D8/16,
D8/80, 83, 88, 89; 42/100; 33/233, 252, 613;
269/249, 251; 81/3.05; 29/257
See application file for complete search history.

(57) **CLAIM**

The ornamental design for a magnetic level gauge for ammunition in firearms, as shown and described.

DESCRIPTION

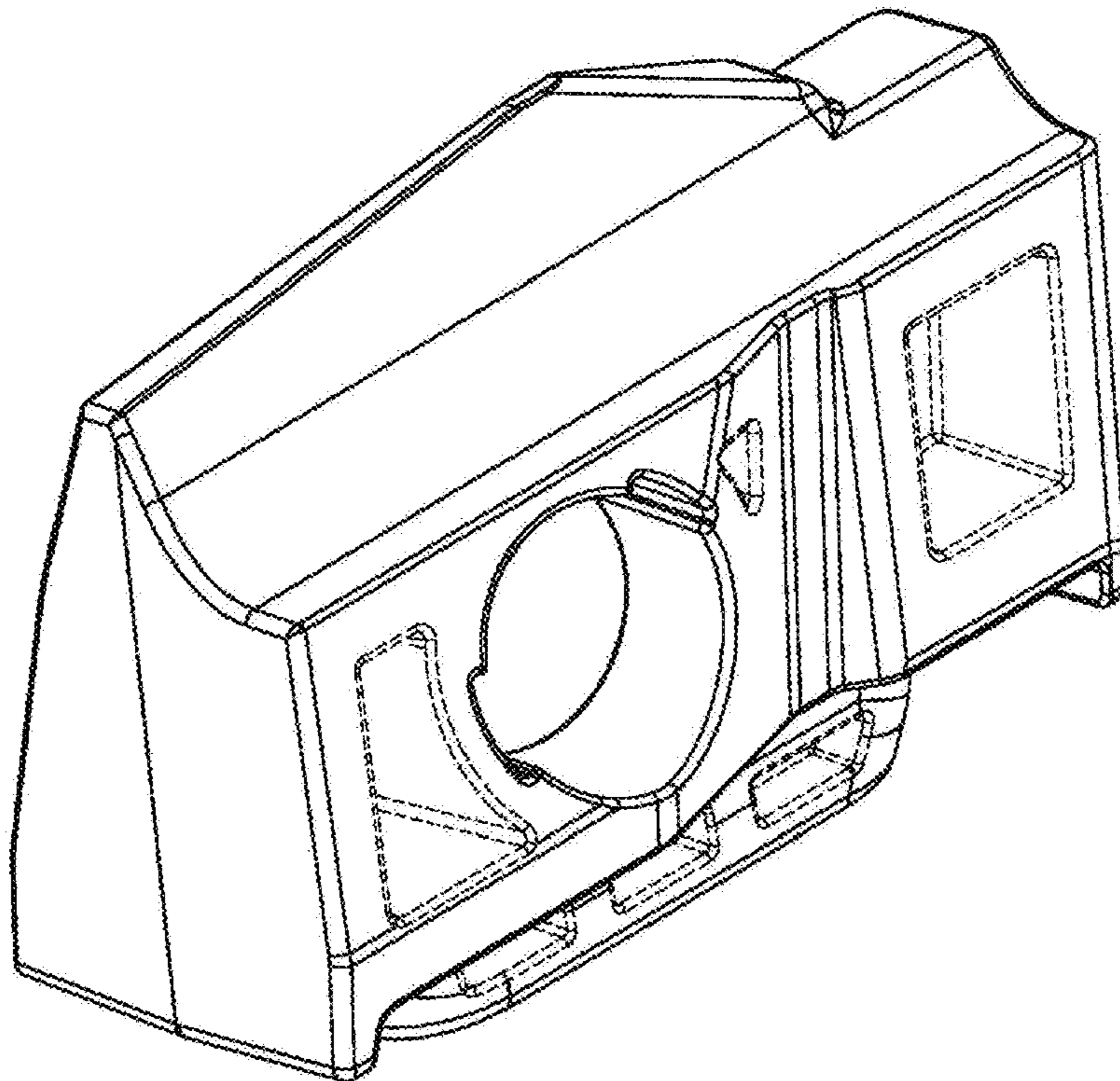
FIG. 1 is a perspective view of a magnetic level gauge for ammunition in firearms;
 FIG. 2 is a top view of the magnetic level gauge of FIG. 1;
 FIG. 3 is a front view of the magnetic level gauge of FIG. 1;
 FIG. 4 is a first side view of the magnetic level gauge of FIG. 1;
 FIG. 5 is a back view of the magnetic level gauge of FIG. 1;
 FIG. 6 is a second side view, opposite the first side view, of the magnetic level gauge of FIG. 1; and,
 FIG. 7 is a bottom view of the magnetic level gauge of FIG. 1.
 The broken lines in one or more of FIGS. 1-7 are included for the purpose of illustrating a portion of the claimed design that forms no part of the claimed design.

(56) **References Cited**

U.S. PATENT DOCUMENTS

5,799,432 A * 9/1998 Wright et al. 42/1.02
 7,536,816 B2 * 5/2009 Weinberger 42/1.02
 7,730,654 B2 * 6/2010 Kim 42/1.02

1 Claim, 7 Drawing Sheets



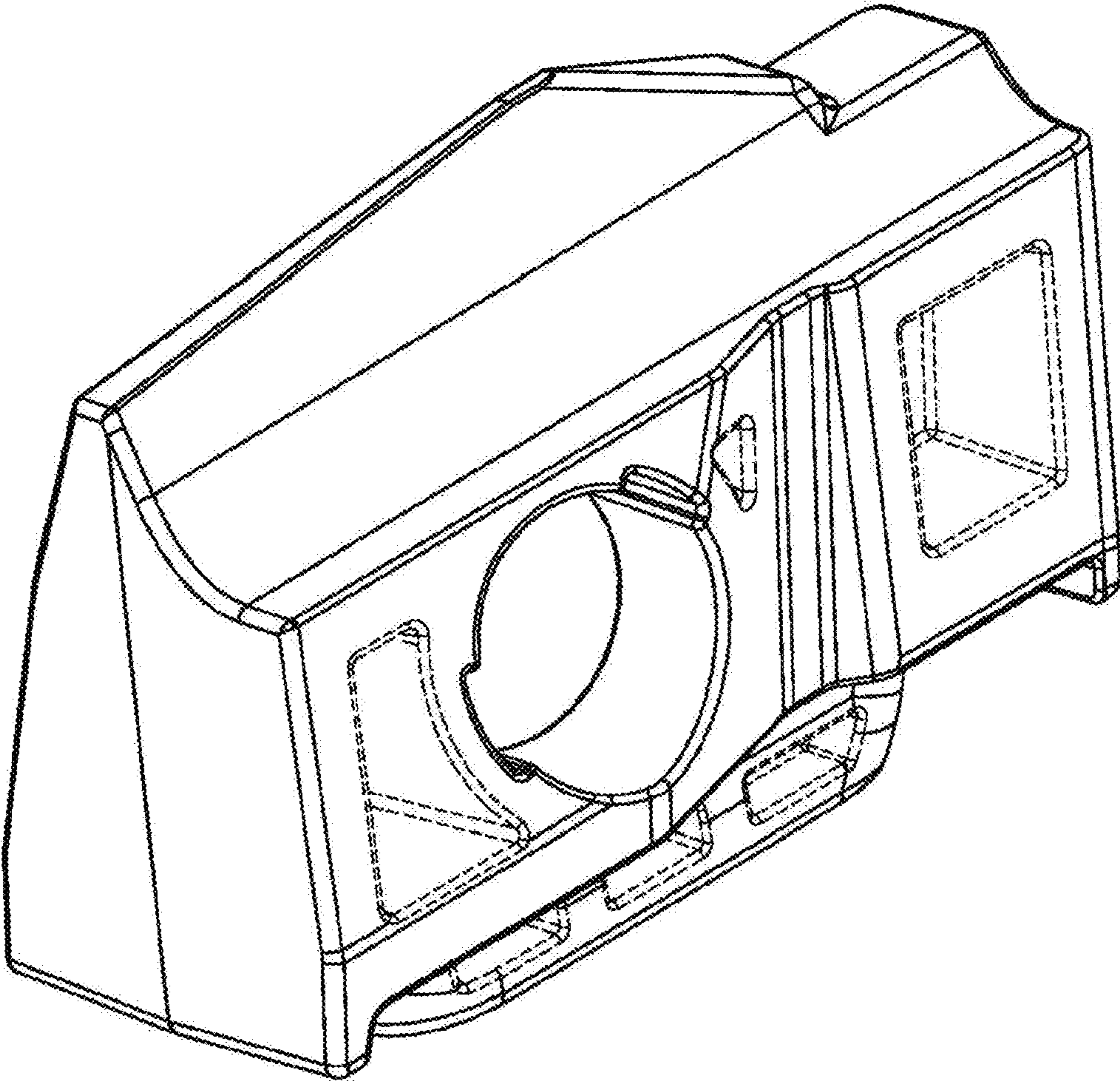


FIG. 1

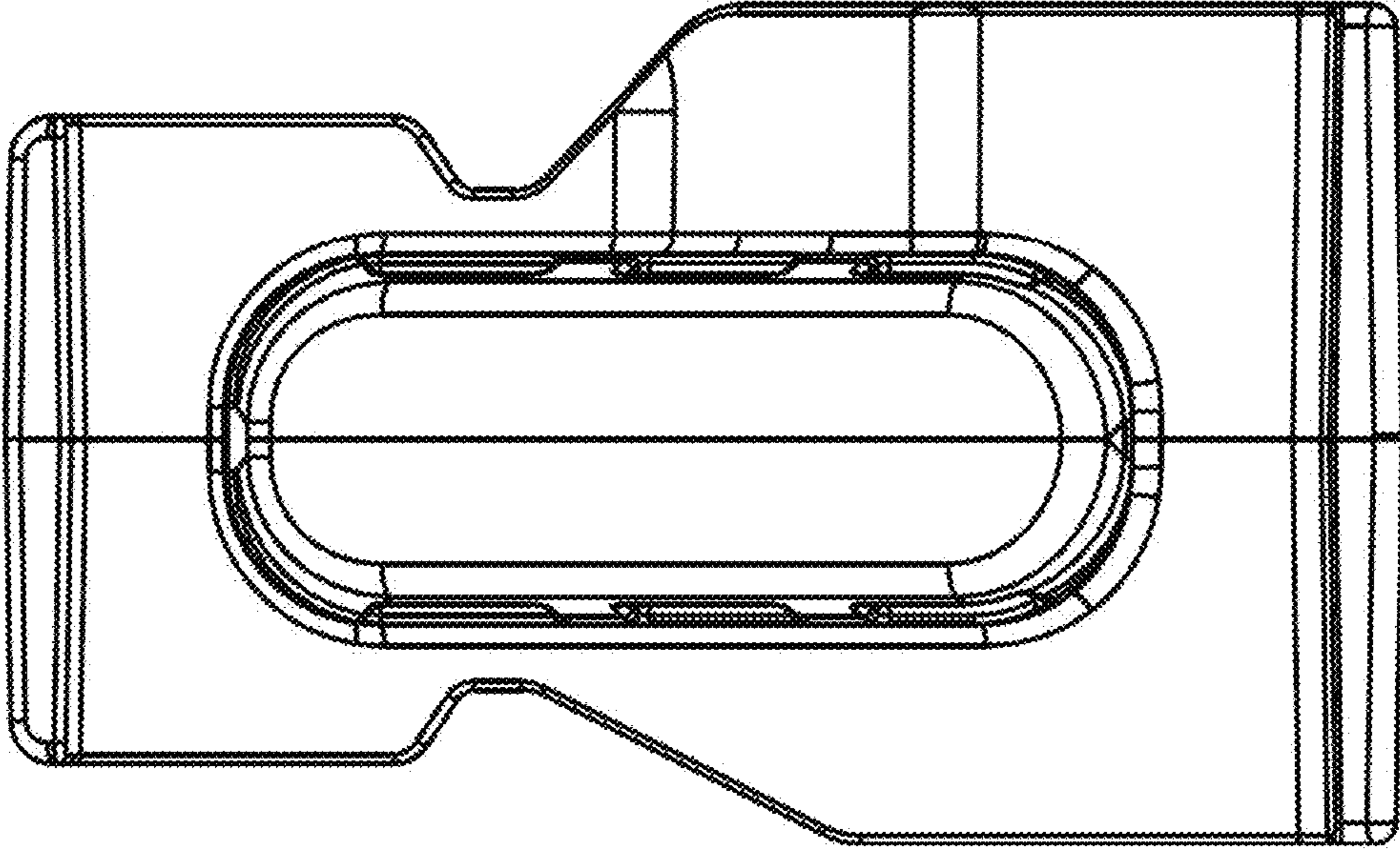


FIG. 2

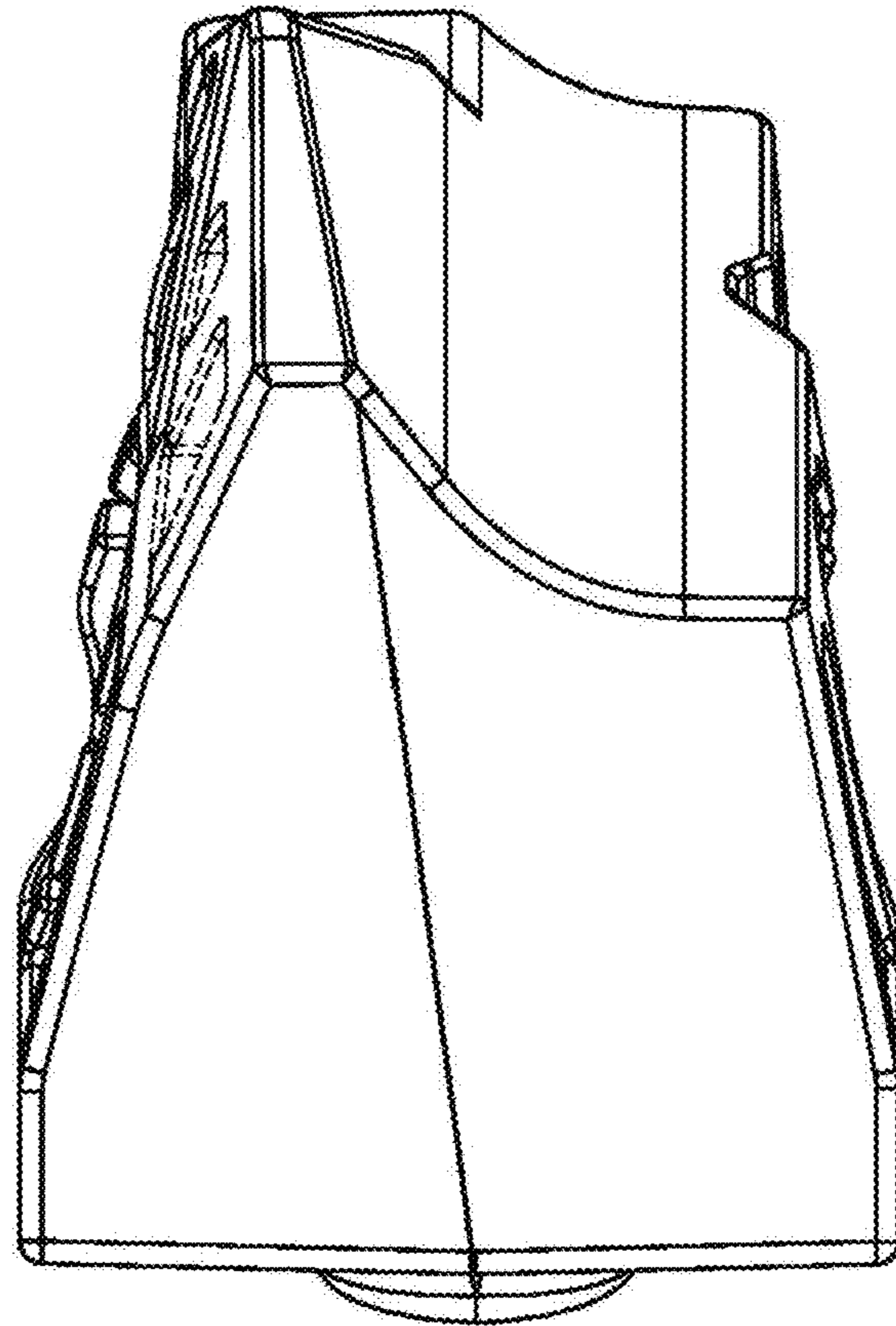


FIG. 3

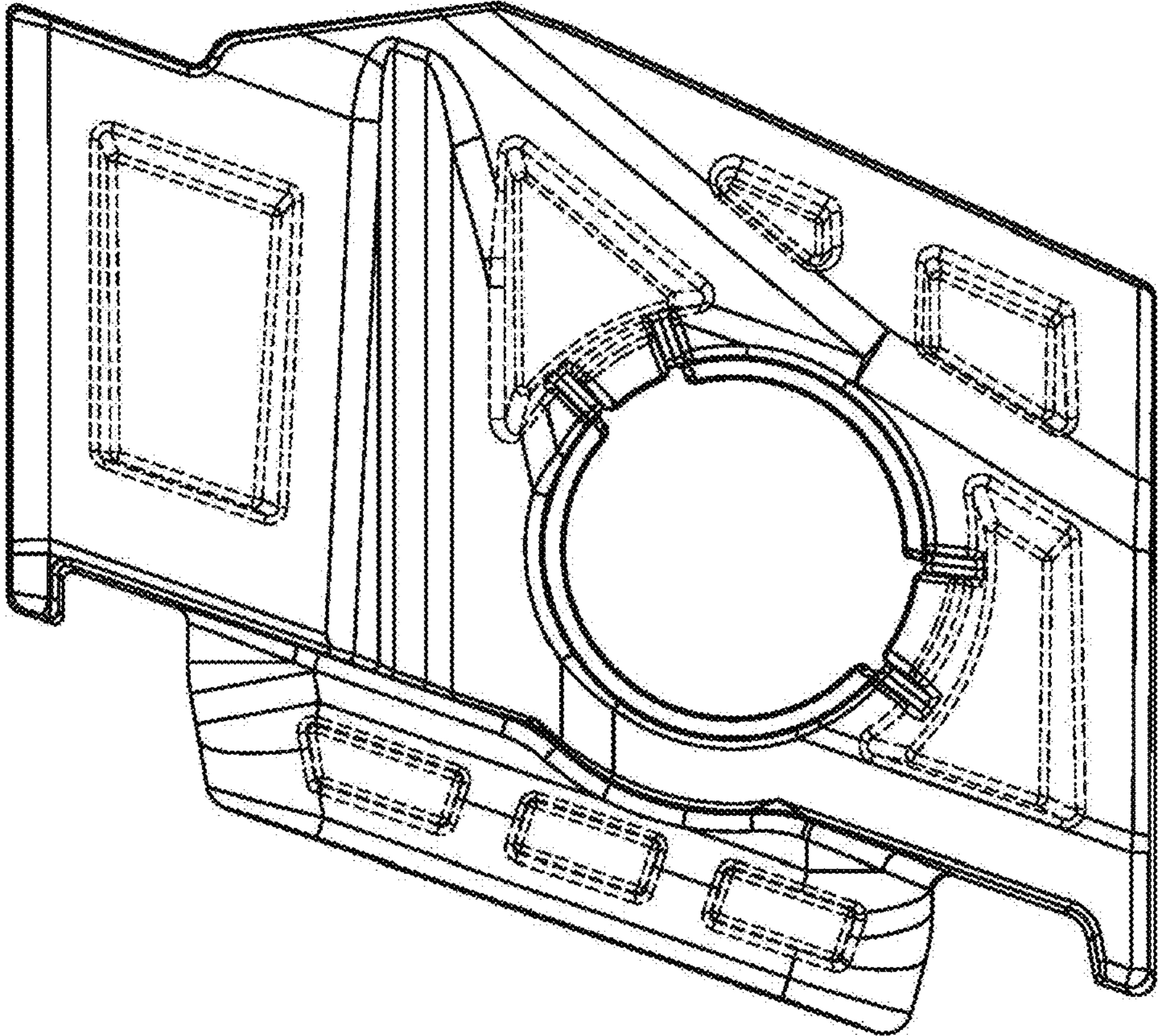


FIG. 4

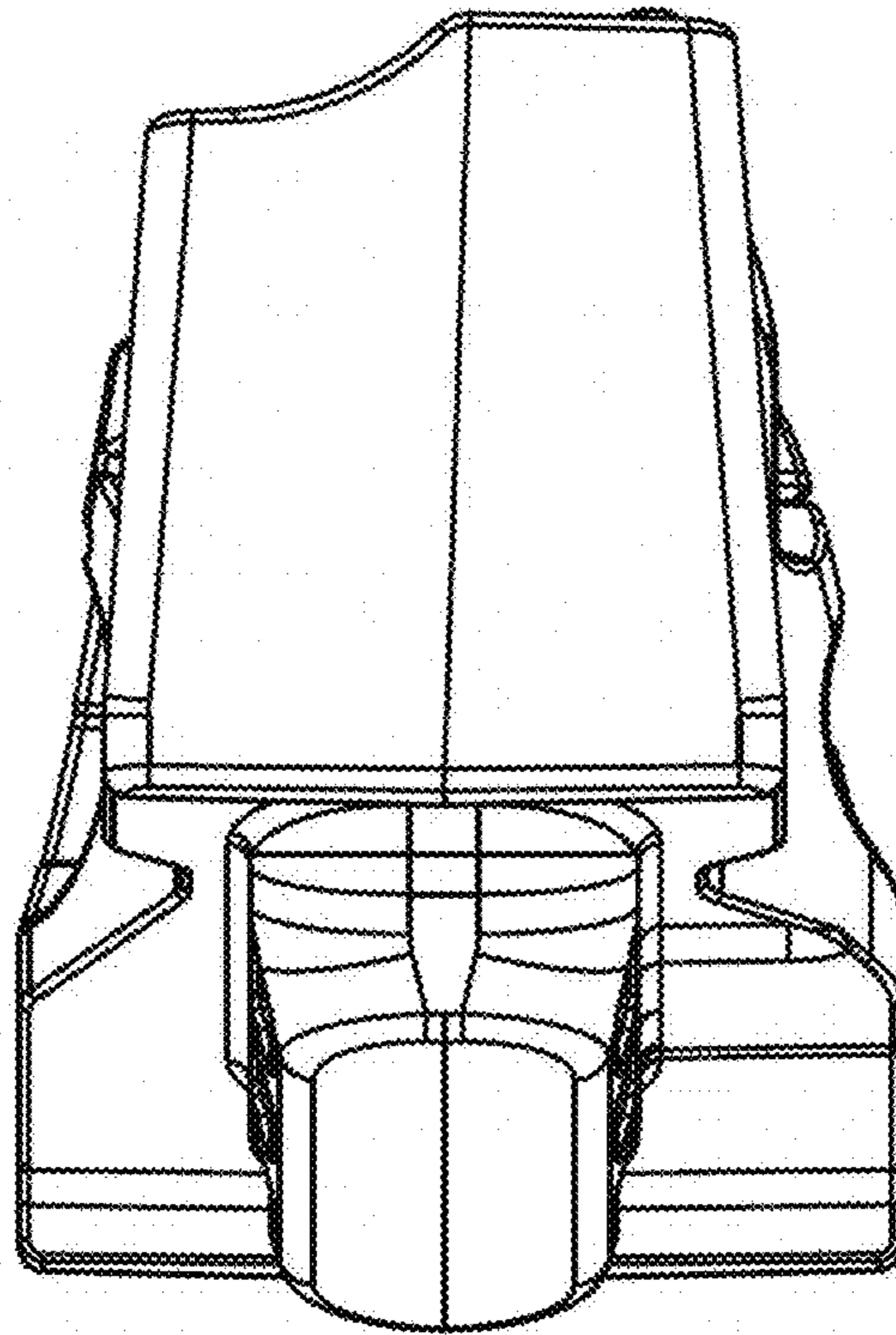


FIG. 5

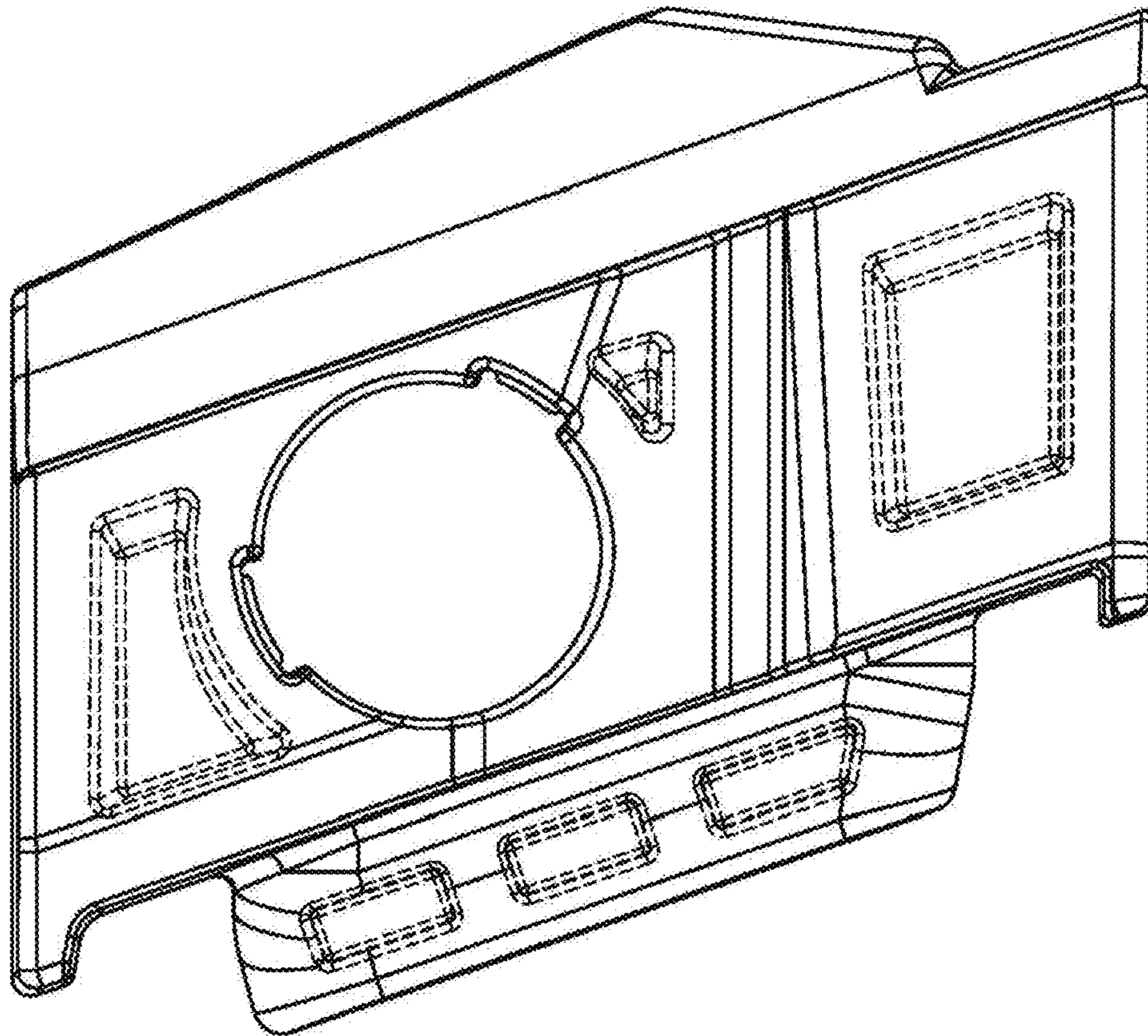


FIG. 6

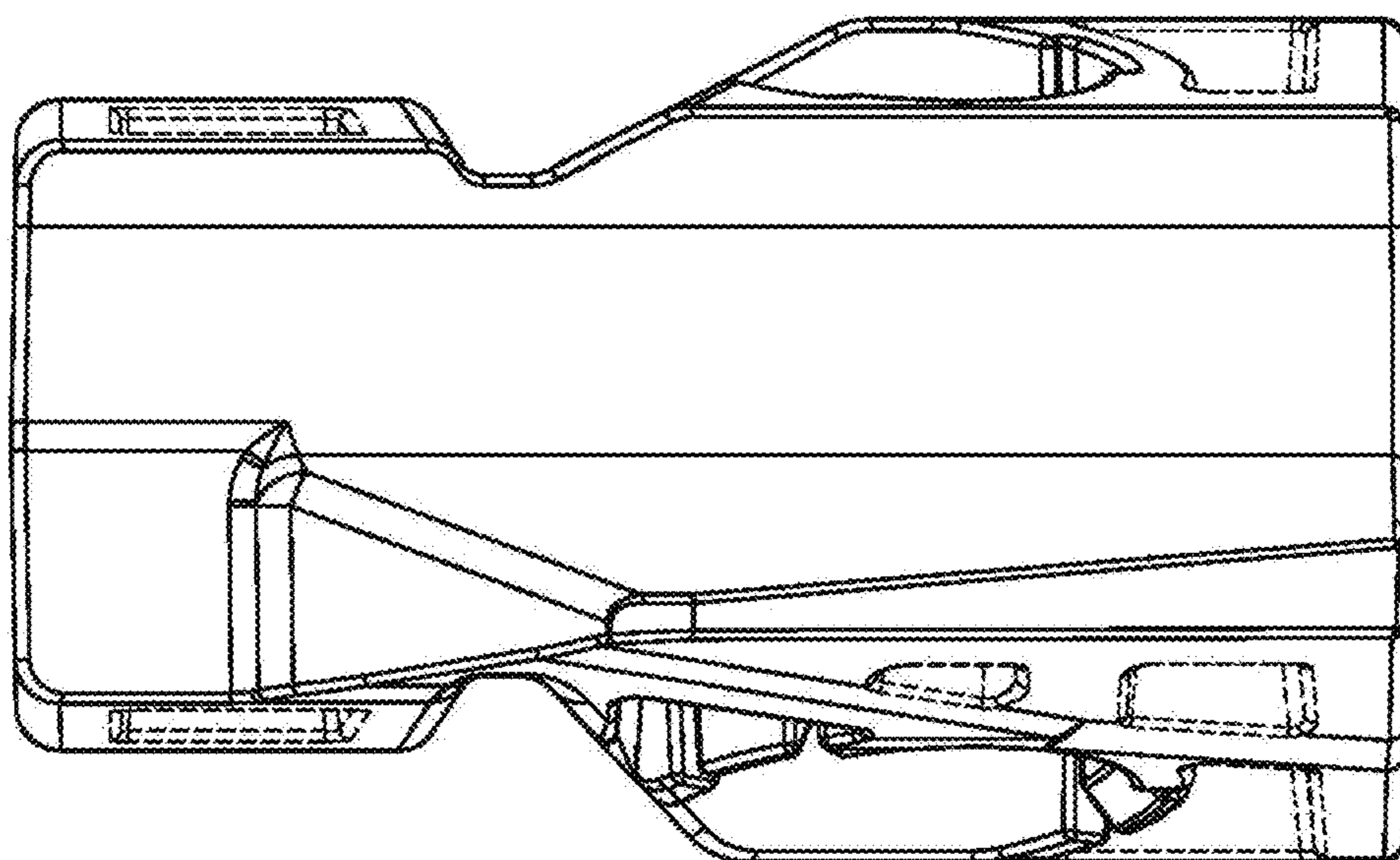


FIG. 7