



US00D684648S

(12) **United States Design Patent**
Ballard

(10) **Patent No.:** **US D684,648 S**
(45) **Date of Patent:** **** Jun. 18, 2013**

(54) **RIFLE BARREL ADJUSTER**

(75) Inventor: **Mike Ballard**, South Gate, CA (US)

(73) Assignee: **Brookshire Tool & Mfg. Company, Inc.**, Cerritos, CA (US)

(**) Term: **14 Years**

(21) Appl. No.: **29/406,832**

(22) Filed: **Nov. 18, 2011**

(51) **LOC (9) Cl.** **22-01**

(52) **U.S. Cl.**

USPC **D22/108**; D22/199

(58) **Field of Classification Search**

USPC D22/108, 199; 42/90-95; 15/104.16,
15/104.165; D8/14-16, 51, 71-72, 80, 83,
D8/88, 89

See application file for complete search history.

(56) **References Cited**

U.S. PATENT DOCUMENTS

| | | | | |
|-----------|------|---------|---------------|------------|
| 2,589,912 | A * | 3/1952 | Weld | 42/75.01 |
| 4,702,447 | A * | 10/1987 | Westwood, III | 248/231.51 |
| 4,864,761 | A * | 9/1989 | Gregory | 42/75.01 |
| 5,345,706 | A * | 9/1994 | Brown | 42/94 |
| 6,385,892 | B1 * | 5/2002 | Vendetti | 42/86 |

| | | | | |
|--------------|------|--------|-----------|-----------|
| D505,989 | S * | 6/2005 | Oz | D22/108 |
| 8,162,277 | B2 * | 4/2012 | Russell | 248/316.5 |
| 2009/0133308 | A1 * | 5/2009 | Kuparinen | 42/71.01 |

* cited by examiner

Primary Examiner — Michael A Pratt

(74) *Attorney, Agent, or Firm* — DLA Piper LLP (US)

(57) **CLAIM**

The ornamental design for a rifle barrel adjuster, as shown and described.

DESCRIPTION

FIG. 1 is a perspective view of a rifle barrel adjuster showing my new design, taken from the front, top and right side;

FIG. 2 is a perspective view thereof, taken from the rear, top and right side;

FIG. 3 is a front elevational view thereof, the rear elevational view being a mirror image of the front elevational view;

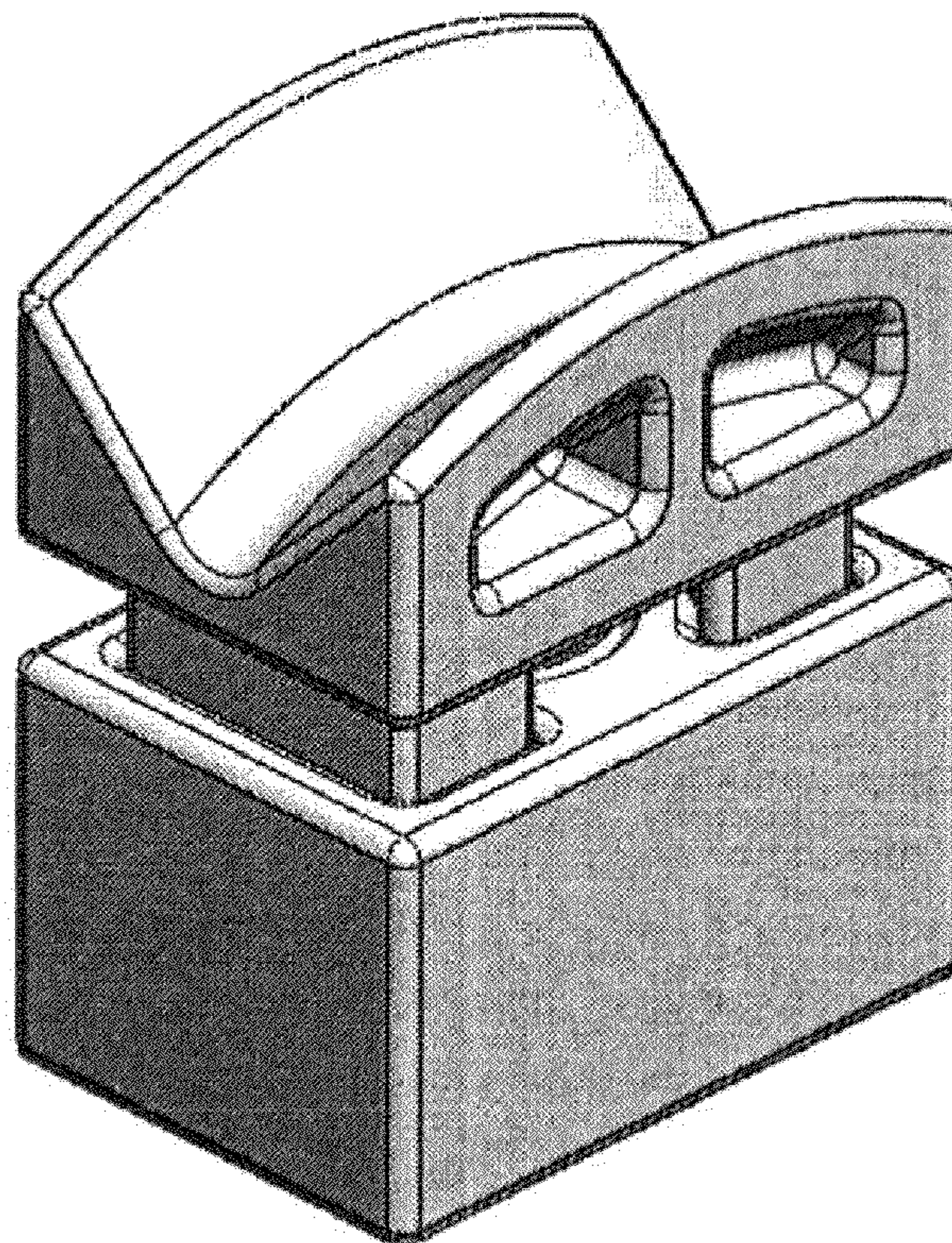
FIG. 4 is a right side elevational view thereof, the left side elevational view being a mirror image of the right side elevational view;

FIG. 5 is a top plan view thereof; and,

FIG. 6 is an exploded perspective view thereof, taken from the front, top and right side.

The various tones of gray shading on the surface portions indicate shaded areas and not surface decoration.

1 Claim, 6 Drawing Sheets



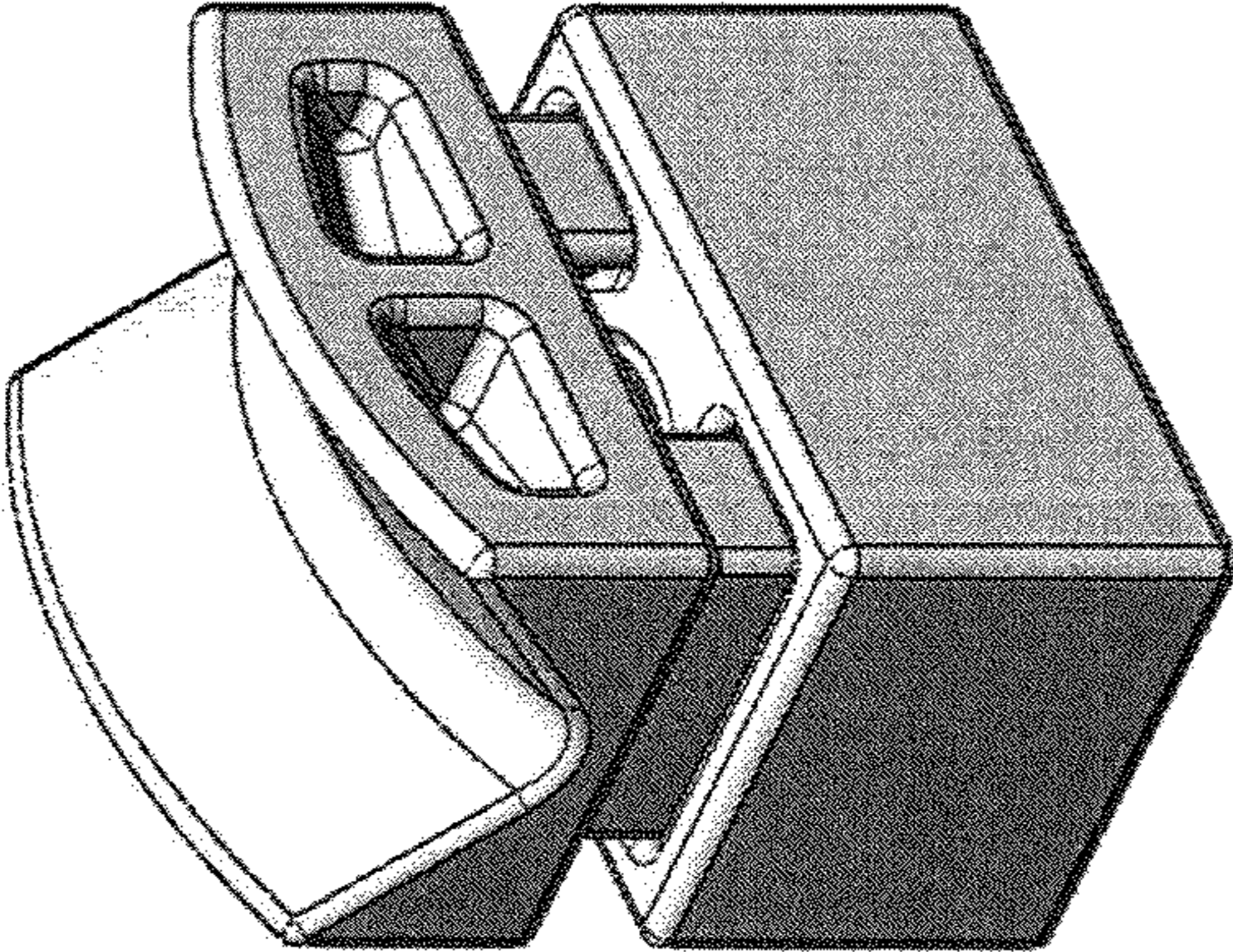


FIG. 1

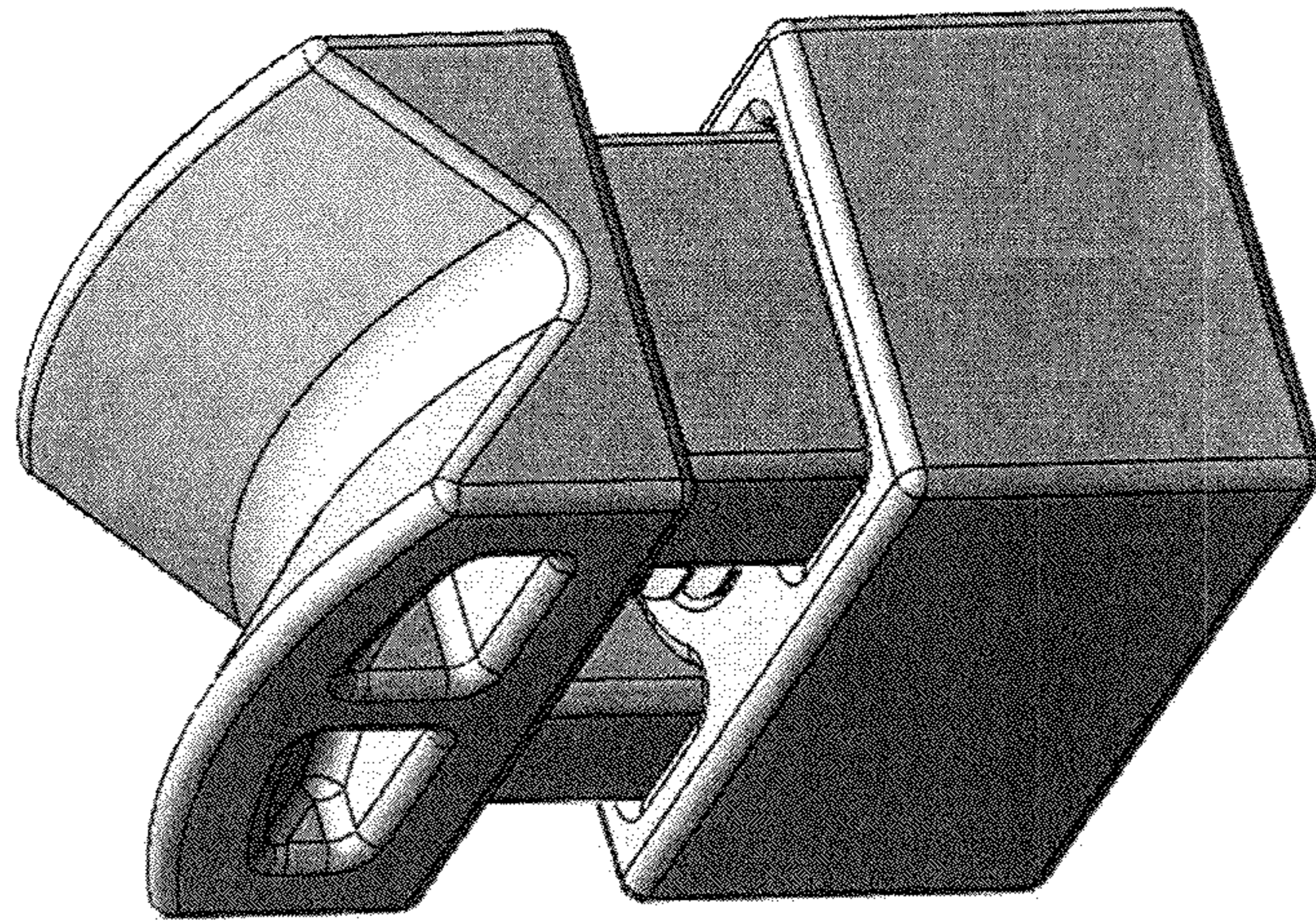


FIG. 2

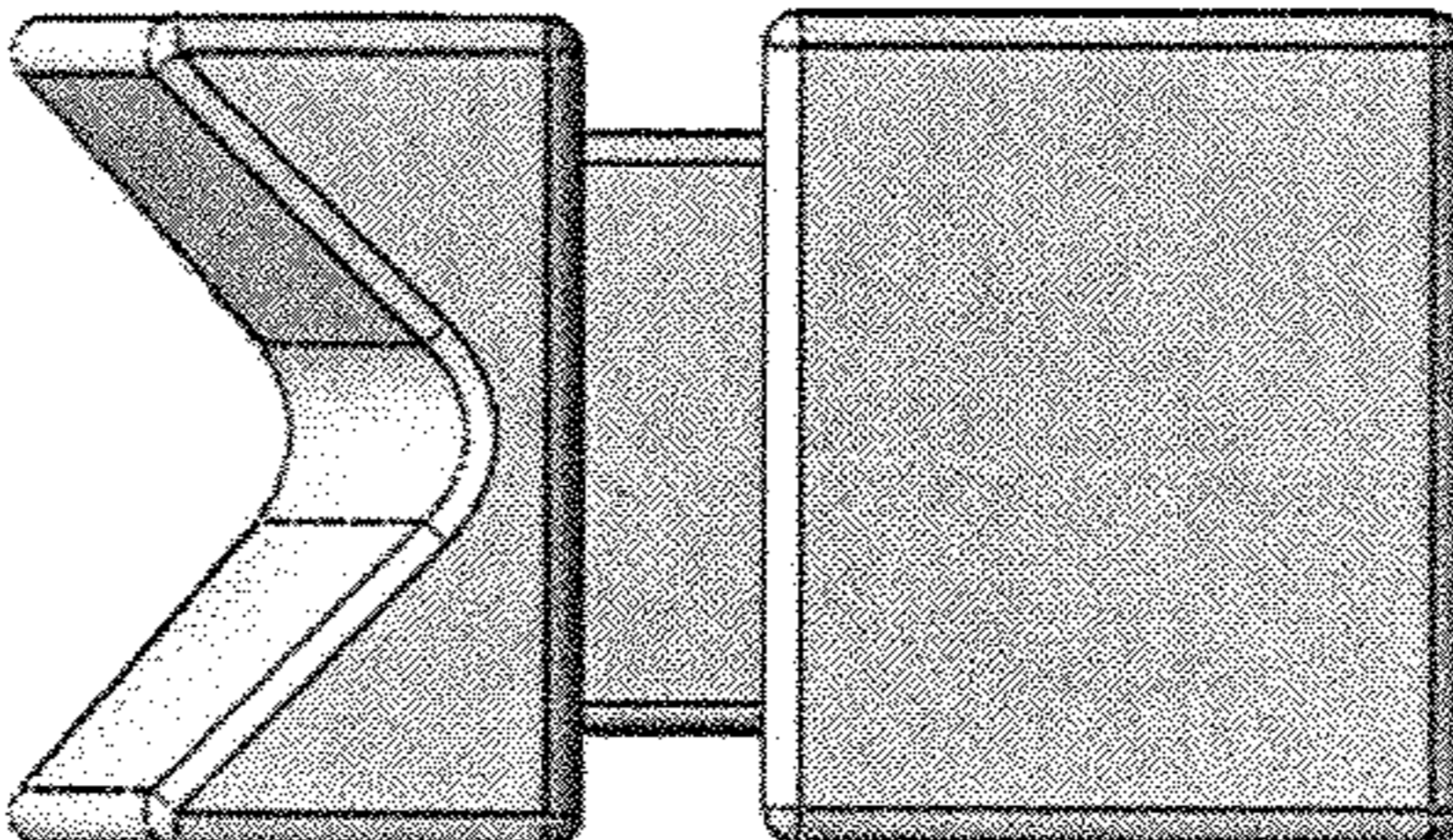


FIG. 3

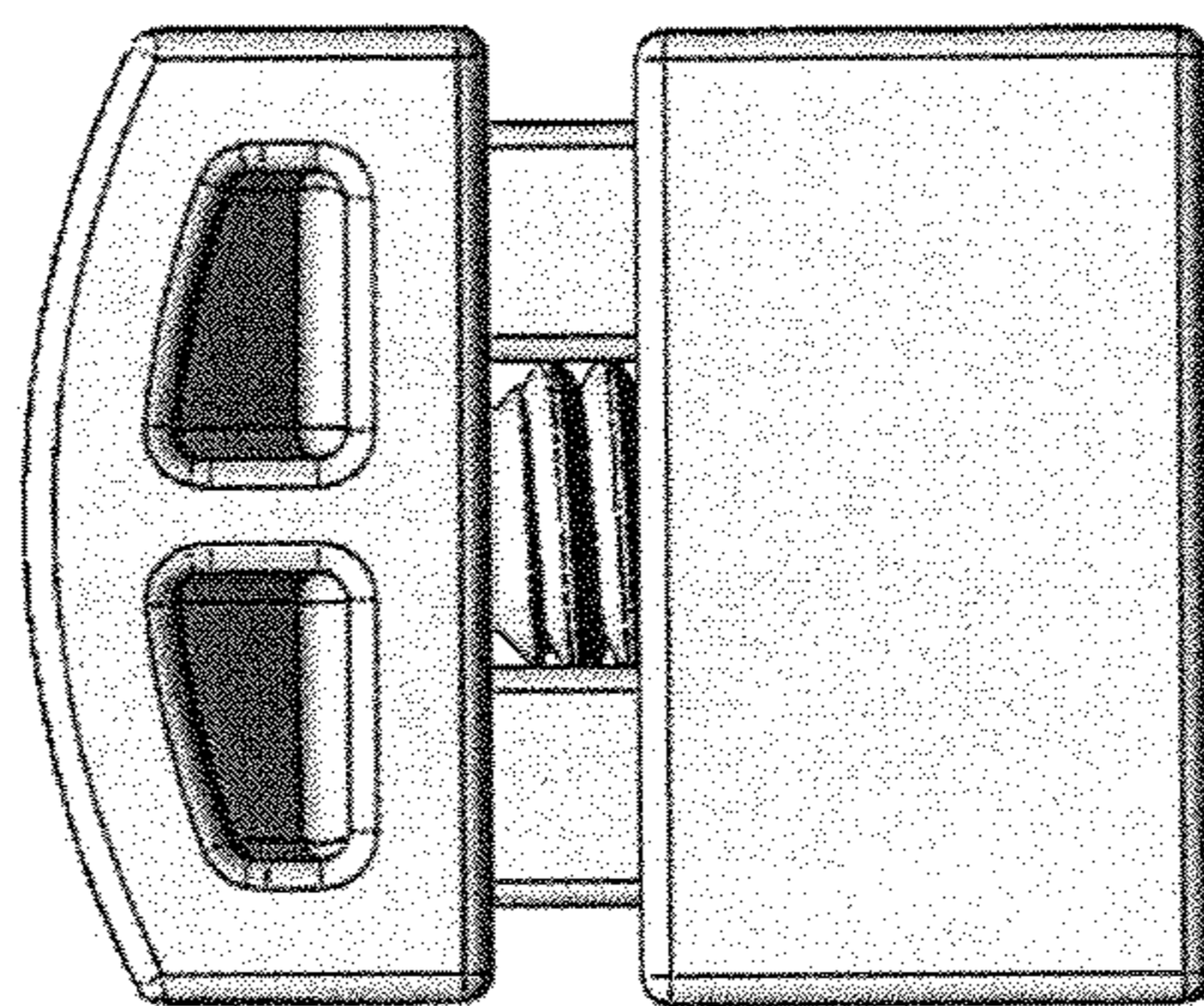


FIG. 4

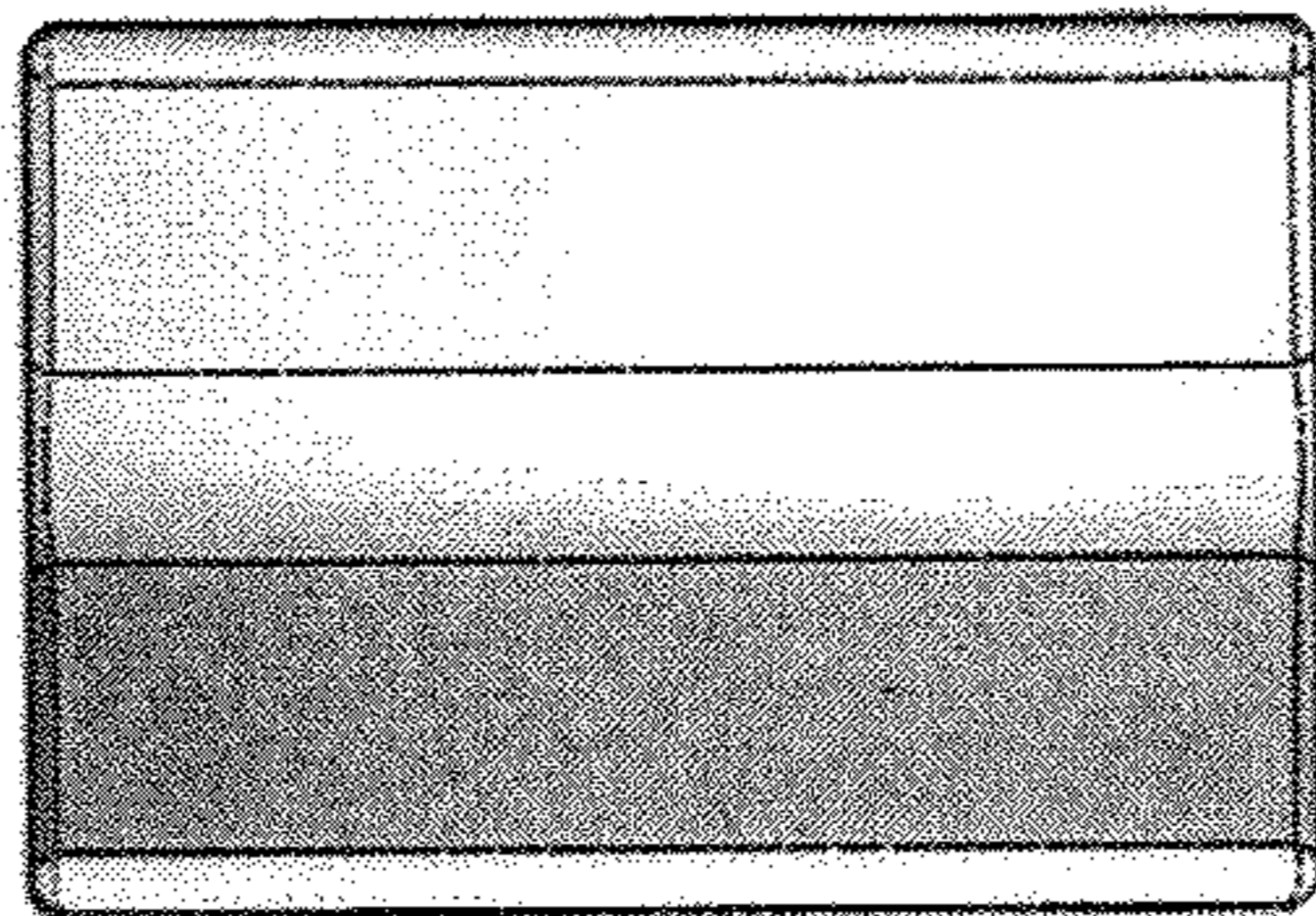


FIG. 5

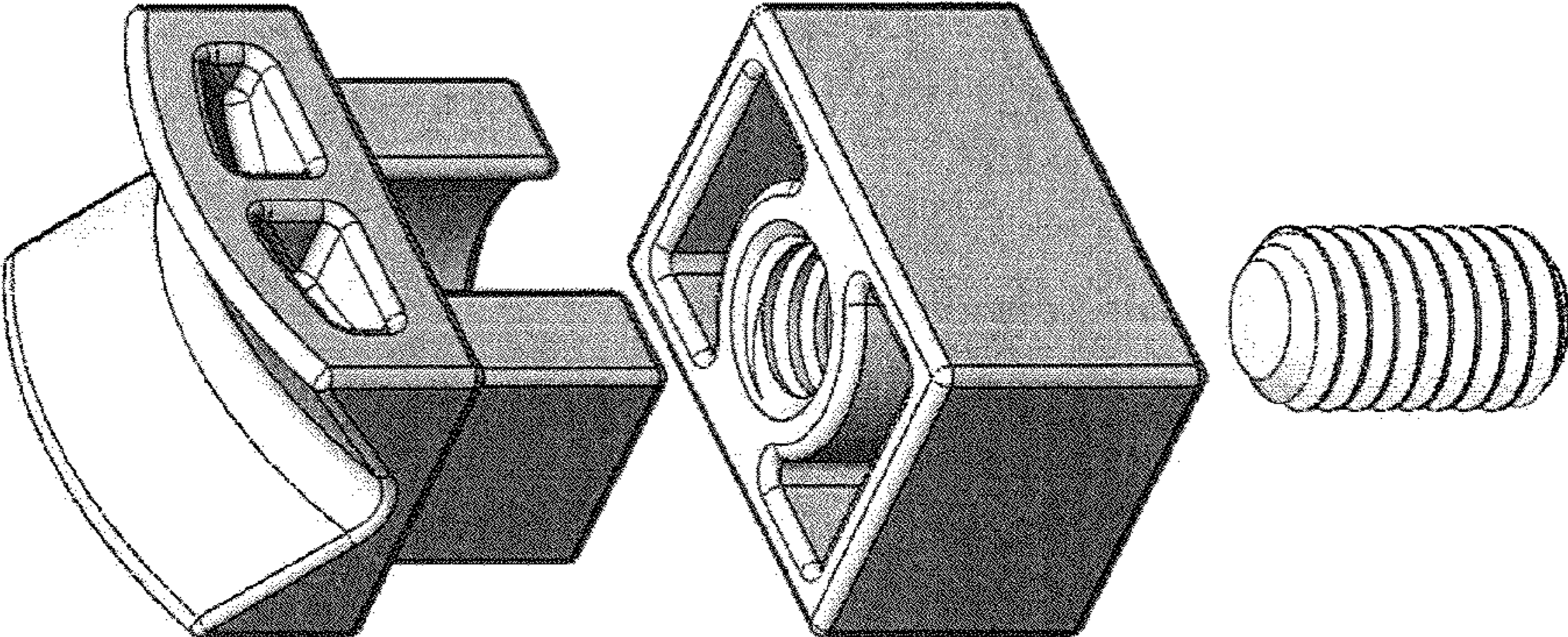


FIG. 6