



US00D684646S

(12) **United States Design Patent**
Delgado Acarreta

(10) **Patent No.:** **US D684,646 S**
(45) **Date of Patent:** **** Jun. 18, 2013**

- (54) **MAGNETIC LEVEL GAUGE FOR AMMUNITION IN FIREARMS**
- (76) Inventor: **Raúl Delgado Acarreta, Navarra (ES)**
- (**) Term: **14 Years**
- (21) Appl. No.: **29/397,268**
- (22) Filed: **Jul. 13, 2011**
- (51) **LOC (9) Cl.** **22-01**
- (52) **U.S. Cl.**
USPC **D22/108**
- (58) **Field of Classification Search**
USPC D22/108, 109, 110, 199; D8/16,
D8/80, 83, 88, 89; 42/100; 33/233, 252, 613;
269/249, 251; 81/3.05; 29/257
See application file for complete search history.

- D598,310 S * 8/2009 Liao D10/69
- D607,760 S * 1/2010 Liao D10/65
- D628,914 S * 12/2010 Kim et al. D10/69
- D646,992 S * 10/2011 Tuli D10/69
- 2012/0137555 A1* 6/2012 Hidle 42/1.01

FOREIGN PATENT DOCUMENTS

- EP 340375 A1 * 11/1989
- WO WO 9206346 A1 * 4/1992

* cited by examiner

Primary Examiner — Michael A Pratt
(74) *Attorney, Agent, or Firm* — Blank Rome LLP

(57) **CLAIM**

The ornamental design for a magnetic level gauge for ammunition in firearms, as shown and described.

DESCRIPTION

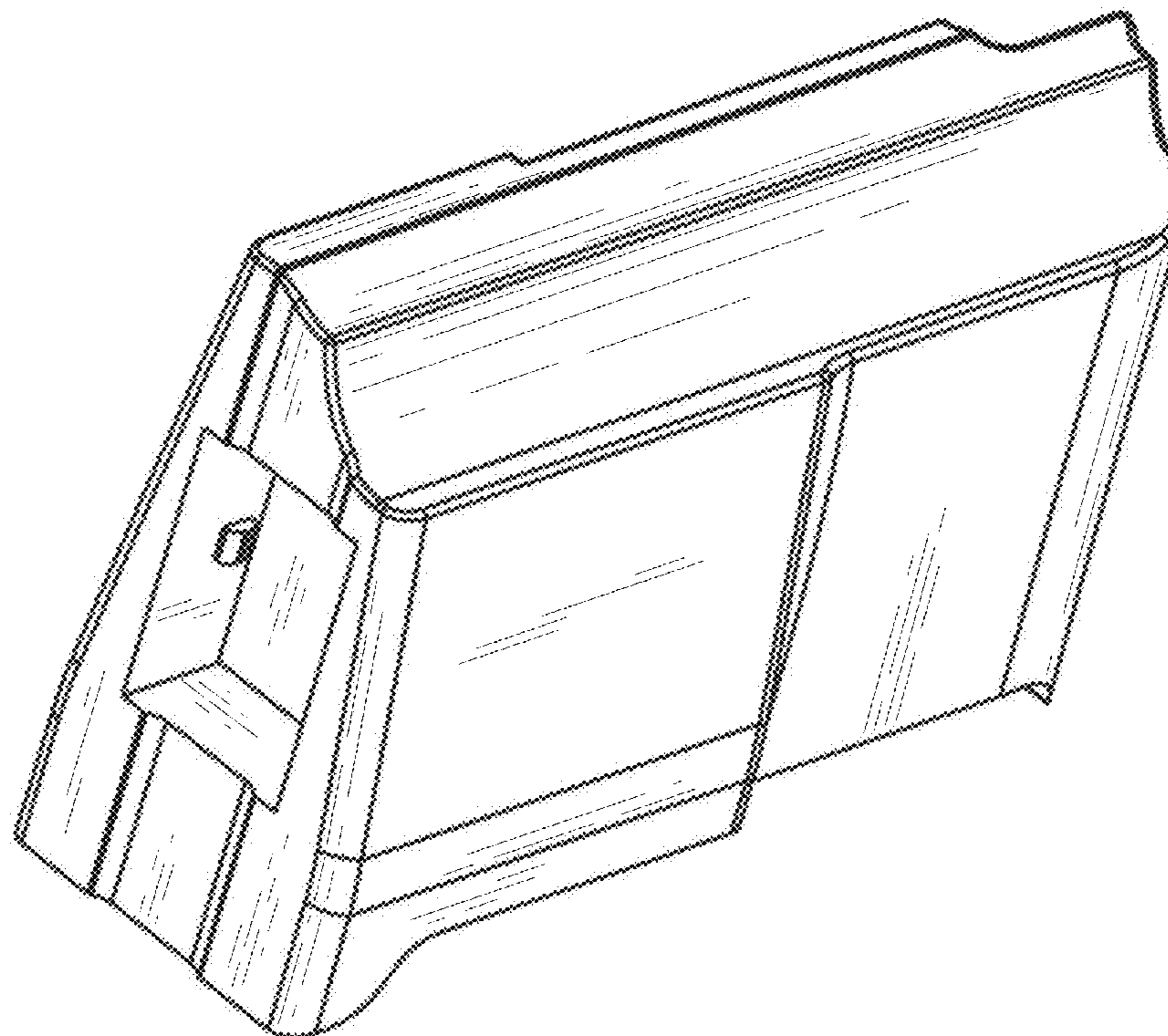
FIG. 1 is a perspective view of an embodiment of a magnetic level gauge for ammunition in firearms;
 FIG. 2 is a top view of the embodiment;
 FIG. 3 is a back view of the embodiment;
 FIG. 4 is a first side view of the embodiment;
 FIG. 5 is a second side view, opposite the first side view, of the embodiment;
 FIG. 6 is a front view of the embodiment; and,
 FIG. 7 is a bottom view of the embodiment.
 The broken line showing of the portion of the claimed design in FIG. 7 is included for the purpose of illustrating environment and forms no part of the claimed design.

(56) **References Cited**

U.S. PATENT DOCUMENTS

- 1,440,291 A * 12/1922 Harkom 42/138
- 4,863,022 A * 9/1989 Czopor, Jr. 206/349
- 5,594,993 A * 1/1997 Tager et al. 33/227
- D455,664 S * 4/2002 Webb D10/69
- D488,398 S * 4/2004 Golaszewski et al. D10/69
- D491,080 S * 6/2004 Wu D10/69
- D526,587 S * 8/2006 Lopano D10/66
- 7,134,211 B2 * 11/2006 Bascom et al. 33/286
- D537,373 S * 2/2007 Lin D10/69
- D538,185 S * 3/2007 Lin D10/69
- D577,299 S * 9/2008 Hersey et al. D10/69

1 Claim, 4 Drawing Sheets



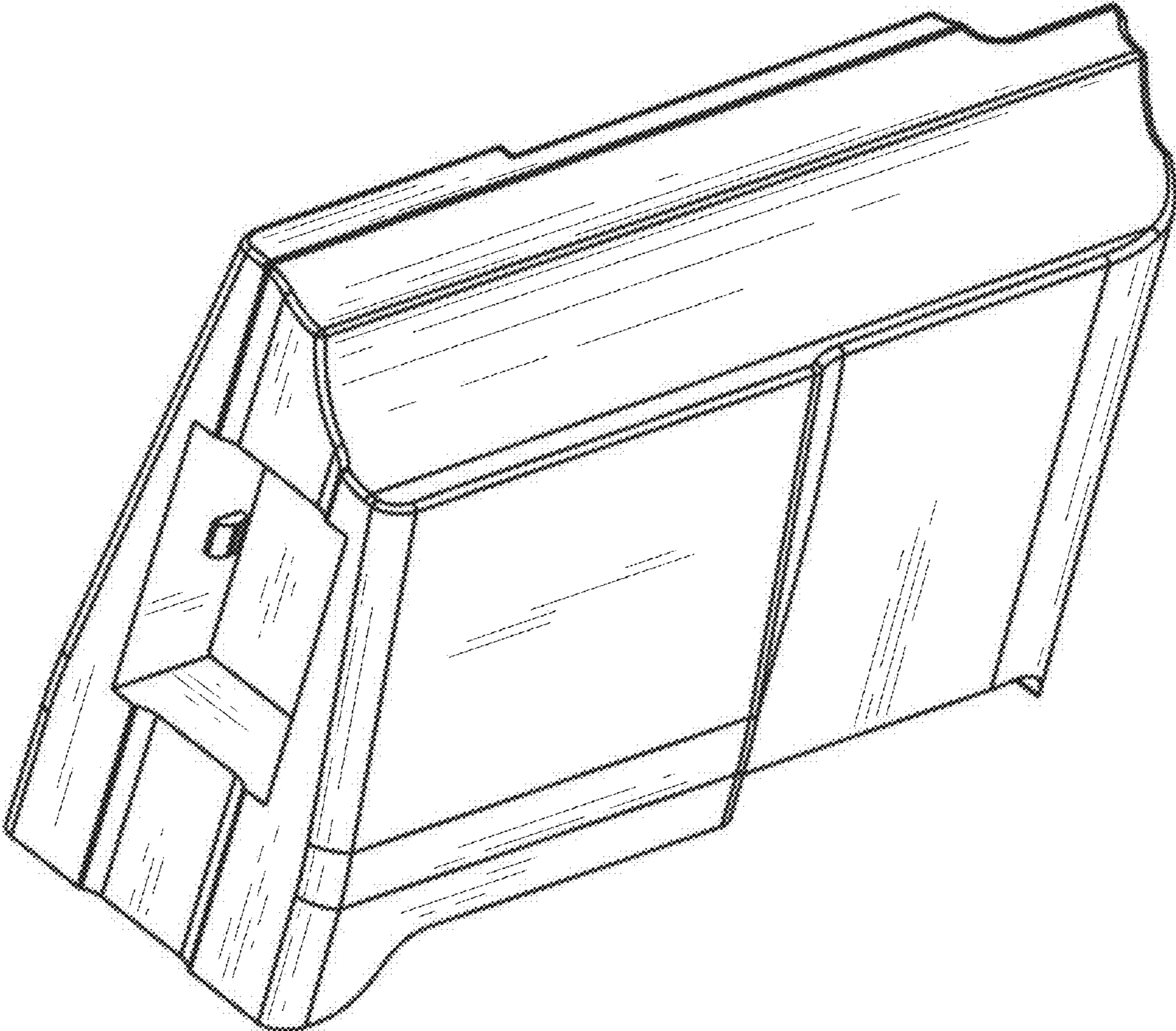


FIG. 1

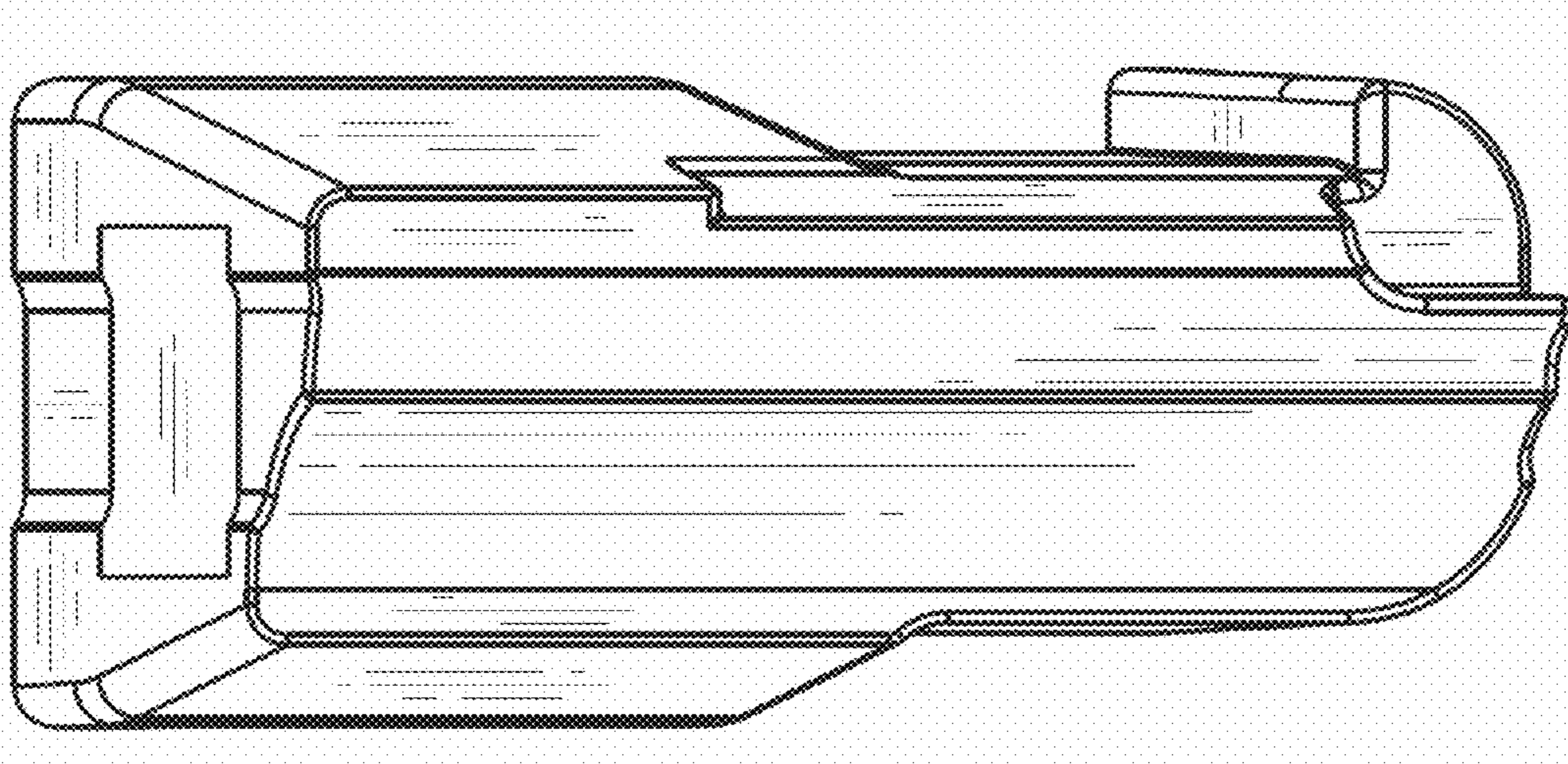


FIG. 2

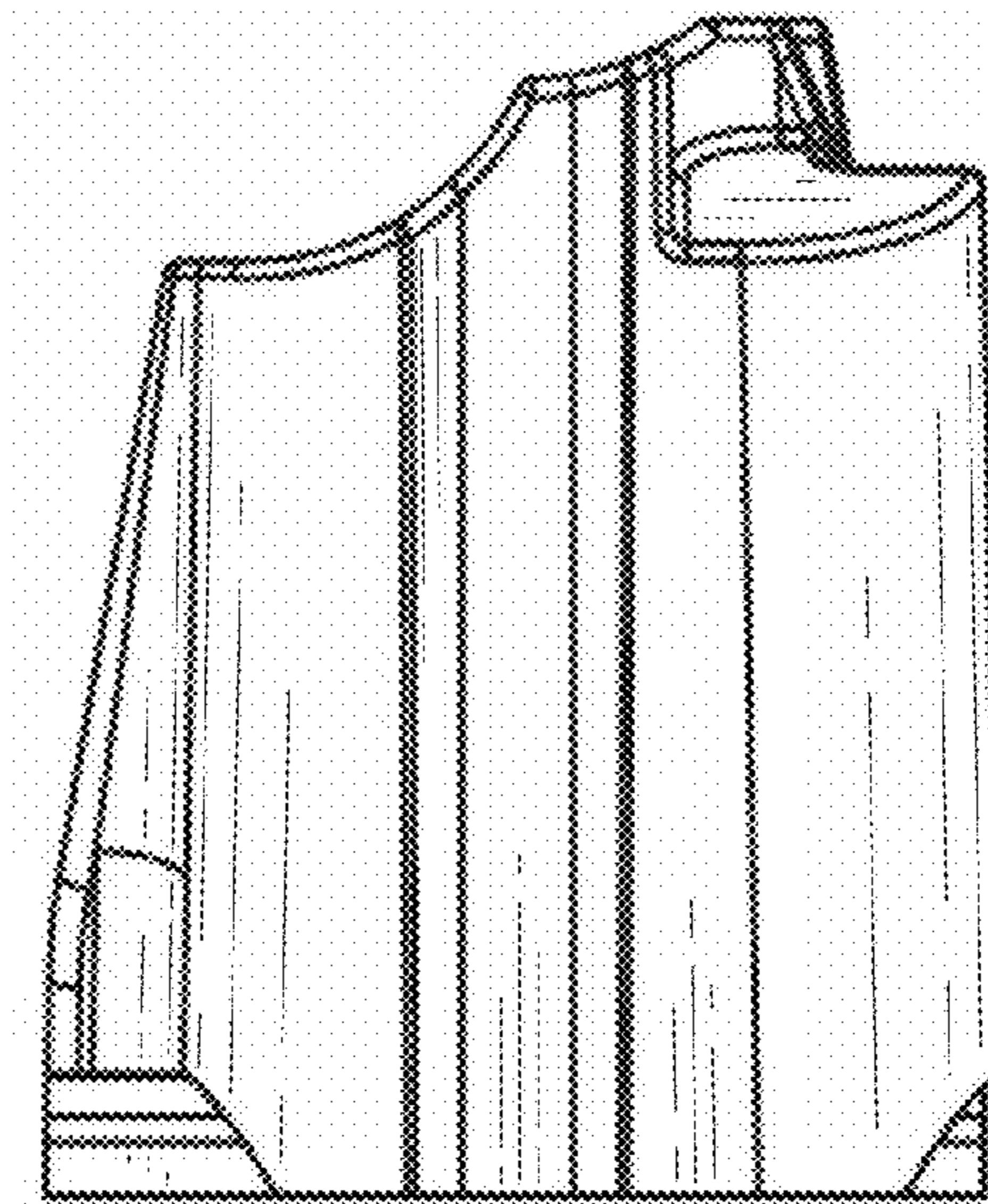


FIG. 3

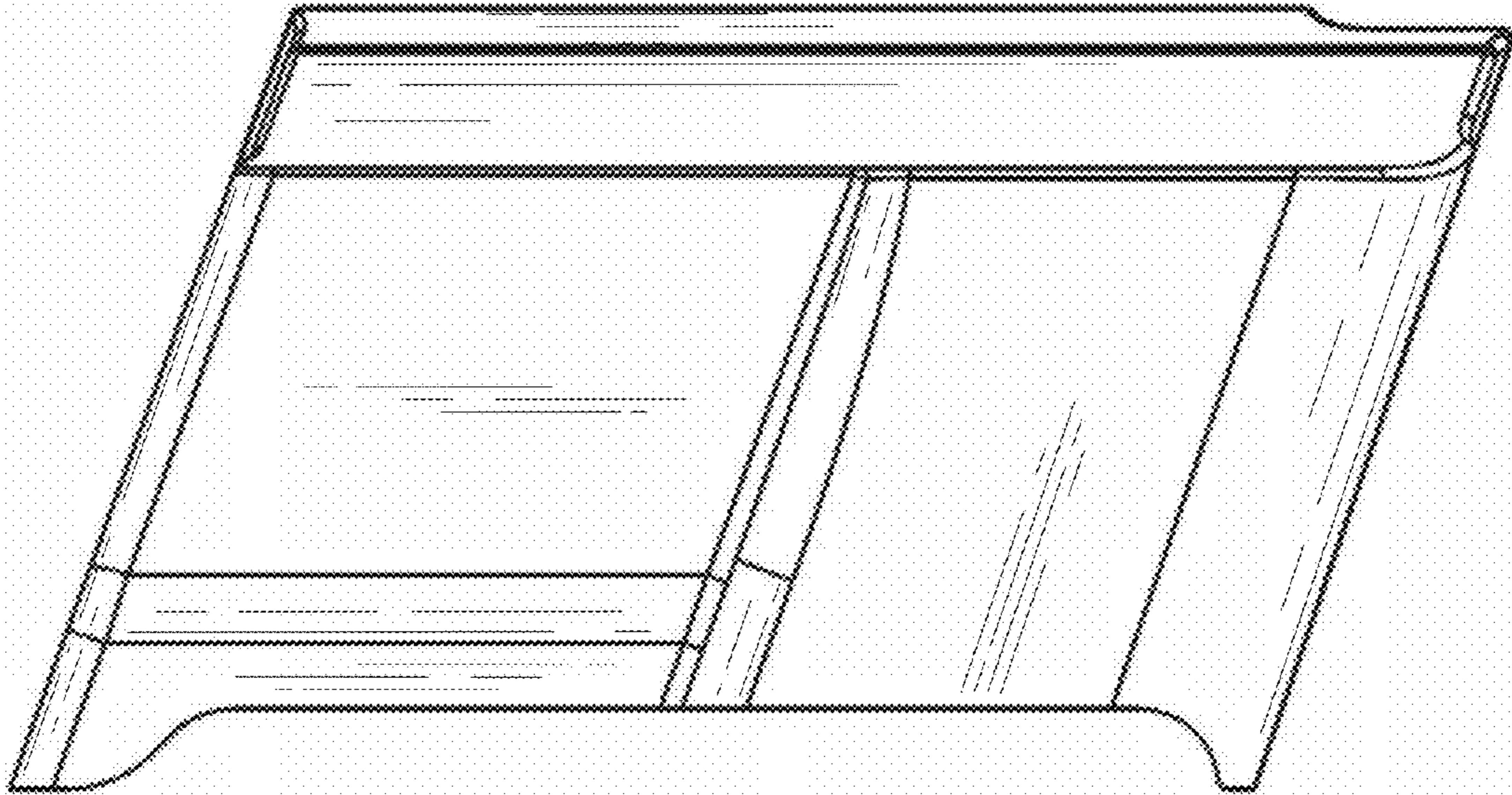


FIG. 4

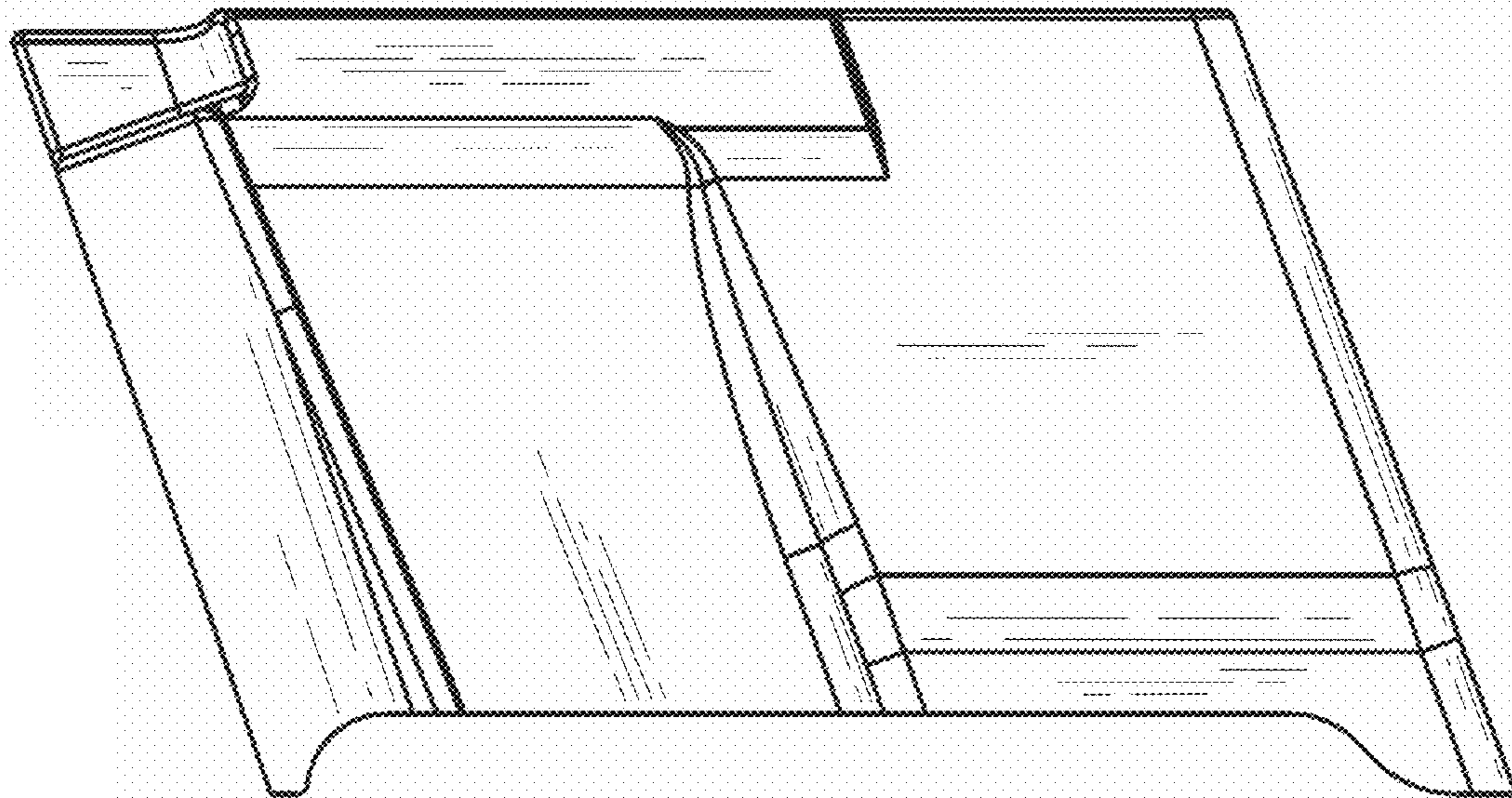


FIG. 5

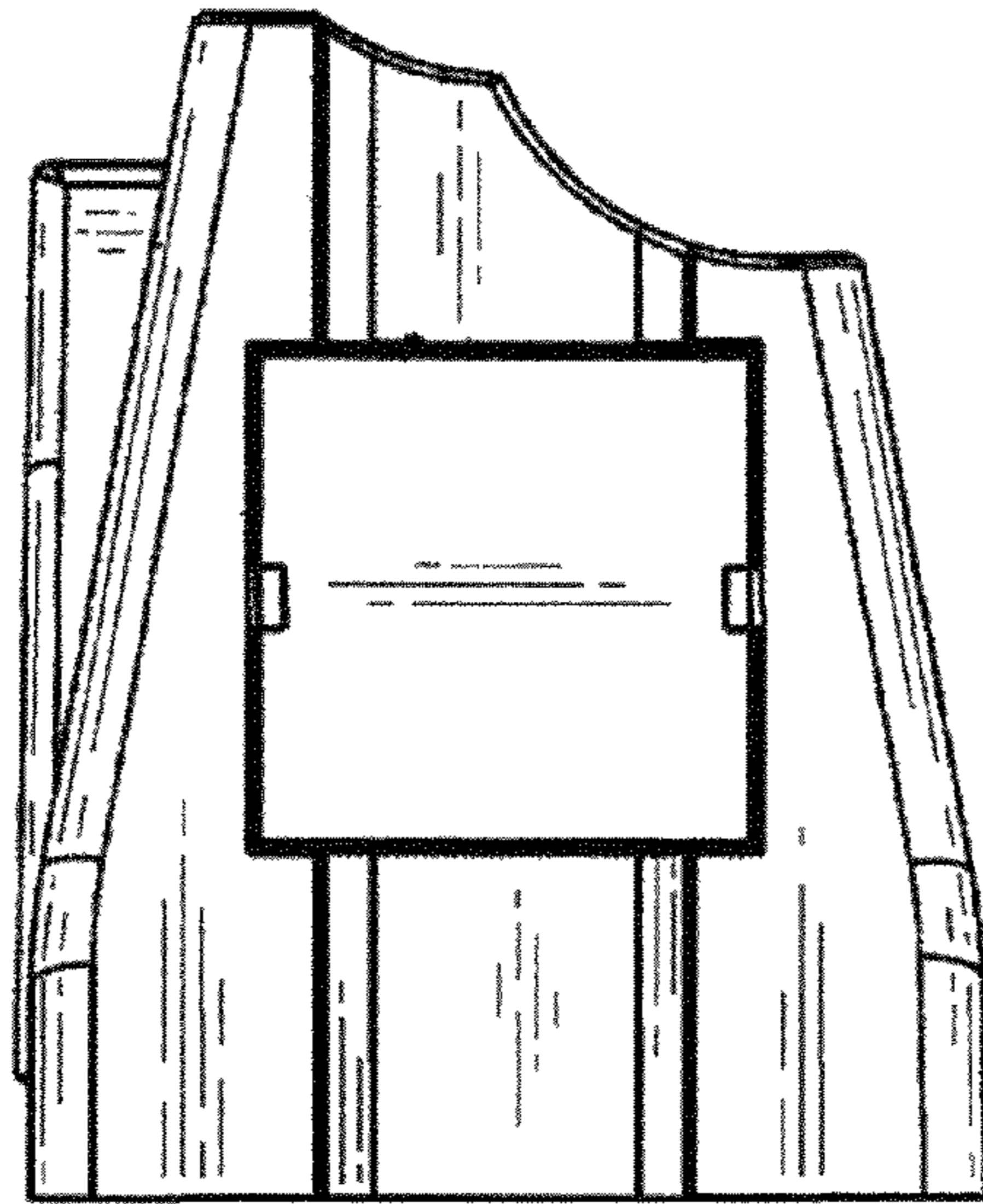


FIG. 6

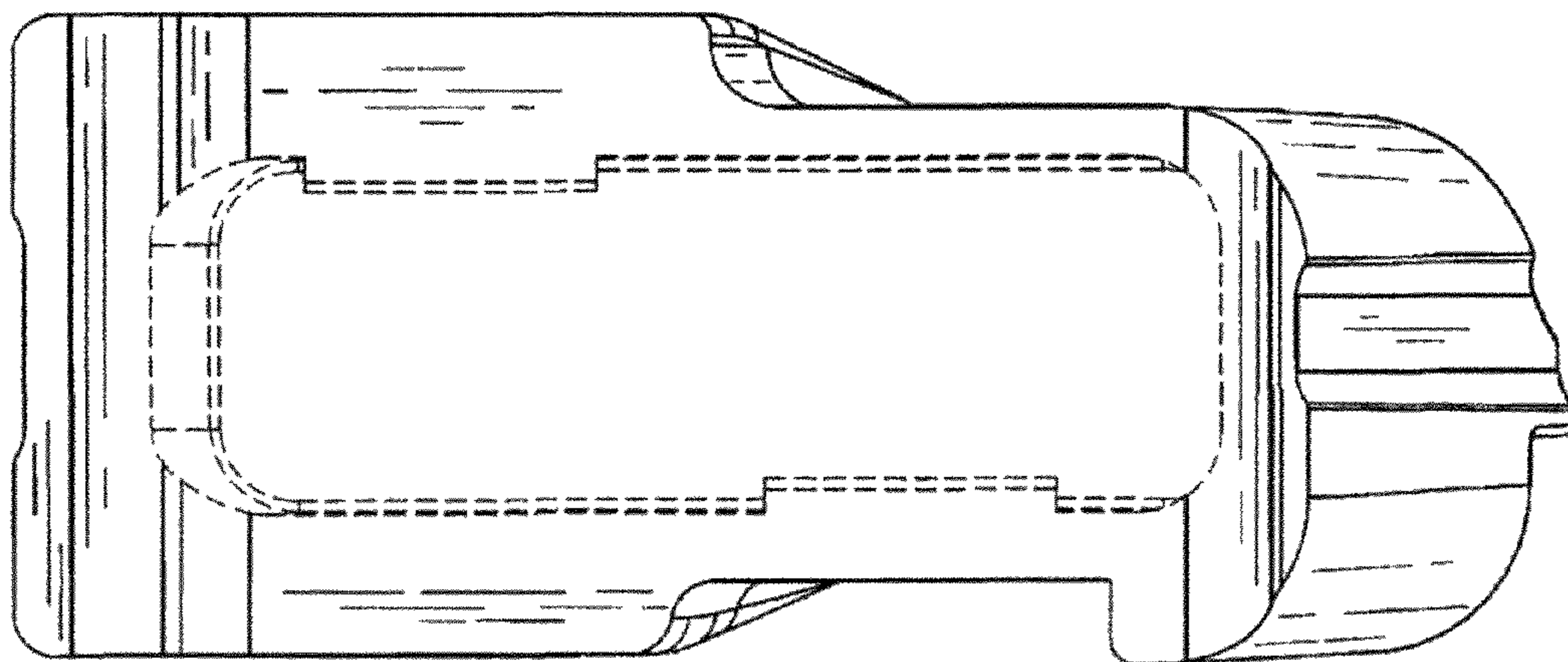


FIG. 7