



US00D684644S

(12) **United States Design Patent**  
**Cleveland et al.**

(10) **Patent No.:** **US D684,644 S**  
(45) **Date of Patent:** **\*\* Jun. 18, 2013**

- (54) **IRON-TYPE GOLF CLUB HEAD**
  - (75) Inventors: **Roger Cleveland**, Los Angeles, CA  
(US); **Chris J. Wieland**, Vista, CA (US)
  - (73) Assignee: **Callaway Golf Company**, Carlsbad, CA  
(US)
  - (\*\*) Term: **14 Years**
  - (21) Appl. No.: **29/422,878**
  - (22) Filed: **May 24, 2012**
  - (51) **LOC (9) Cl.** ..... **21-02**
  - (52) **U.S. Cl.**  
USPC ..... **D21/747**
  - (58) **Field of Classification Search**  
USPC ..... D21/747-751, 759; 473/324-331,  
473/350
- See application file for complete search history.

- D379,106 S \* 5/1997 Maltby ..... D21/748
- D503,203 S \* 3/2005 Wood et al. .... D21/747
- D673,629 S \* 1/2013 Breier et al. .... D21/747
- D676,908 S \* 2/2013 Aoki et al. .... D21/747

\* cited by examiner

*Primary Examiner* — Mitchell Siegel

(74) *Attorney, Agent, or Firm* — Rebecca Hanovice;  
Michael A. Catania; Sonia Lari

(57) **CLAIM**

The ornamental design for an iron-type golf club head, as shown and described.

**DESCRIPTION**

FIG. 1 is a rear perspective view of an iron-type golf club head;  
 FIG. 2 is a rear view thereof;  
 FIG. 3 is a front view thereof;  
 FIG. 4 is a heel elevational view thereof;  
 FIG. 5 is a toe elevational view thereof;  
 FIG. 6 is a top plan view thereof; and,  
 FIG. 7 is a bottom plan view thereof.

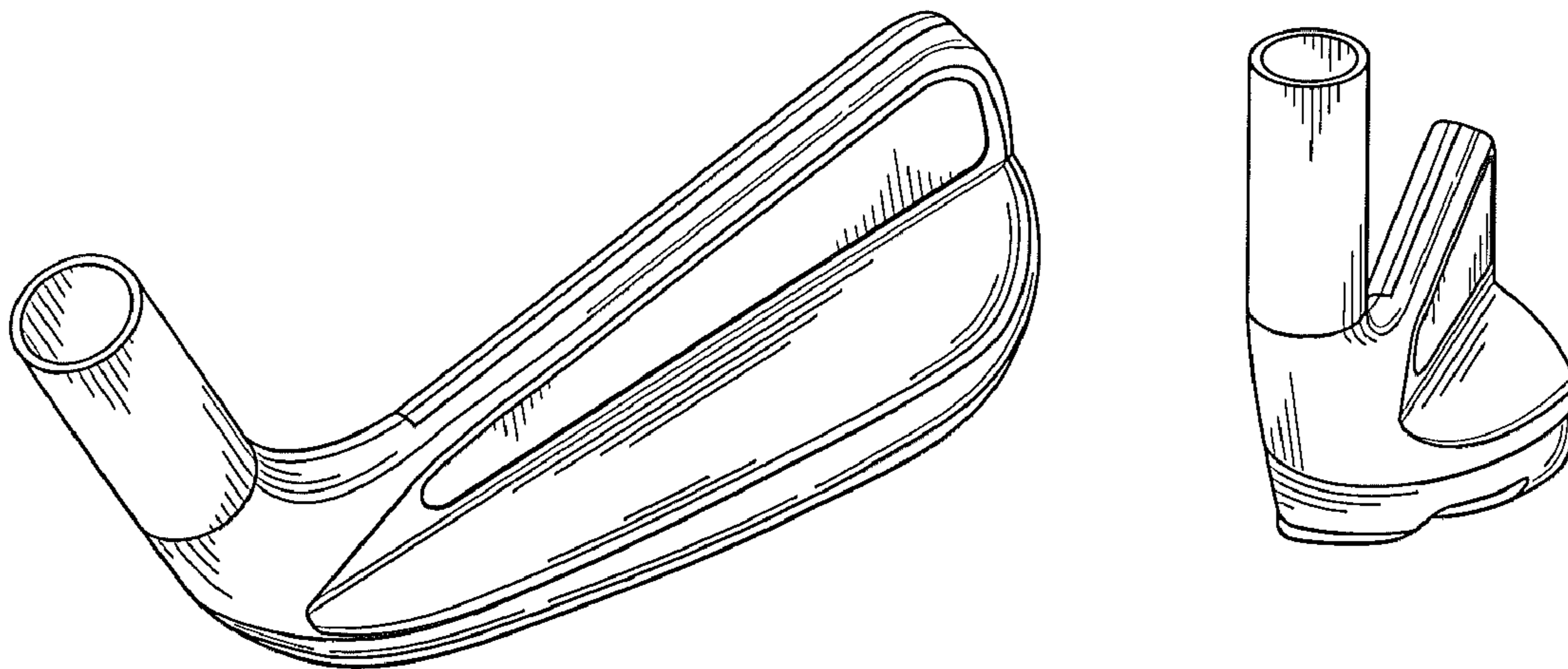
The broken line showing is included for the purpose of illustrating and forms no part of the claimed design.

(56) **References Cited**

U.S. PATENT DOCUMENTS

- D332,984 S \* 2/1993 Inuma et al. .... D21/750
- D339,397 S \* 9/1993 Inuma ..... D21/750
- D361,358 S \* 8/1995 Simmons ..... D21/750

**1 Claim, 2 Drawing Sheets**



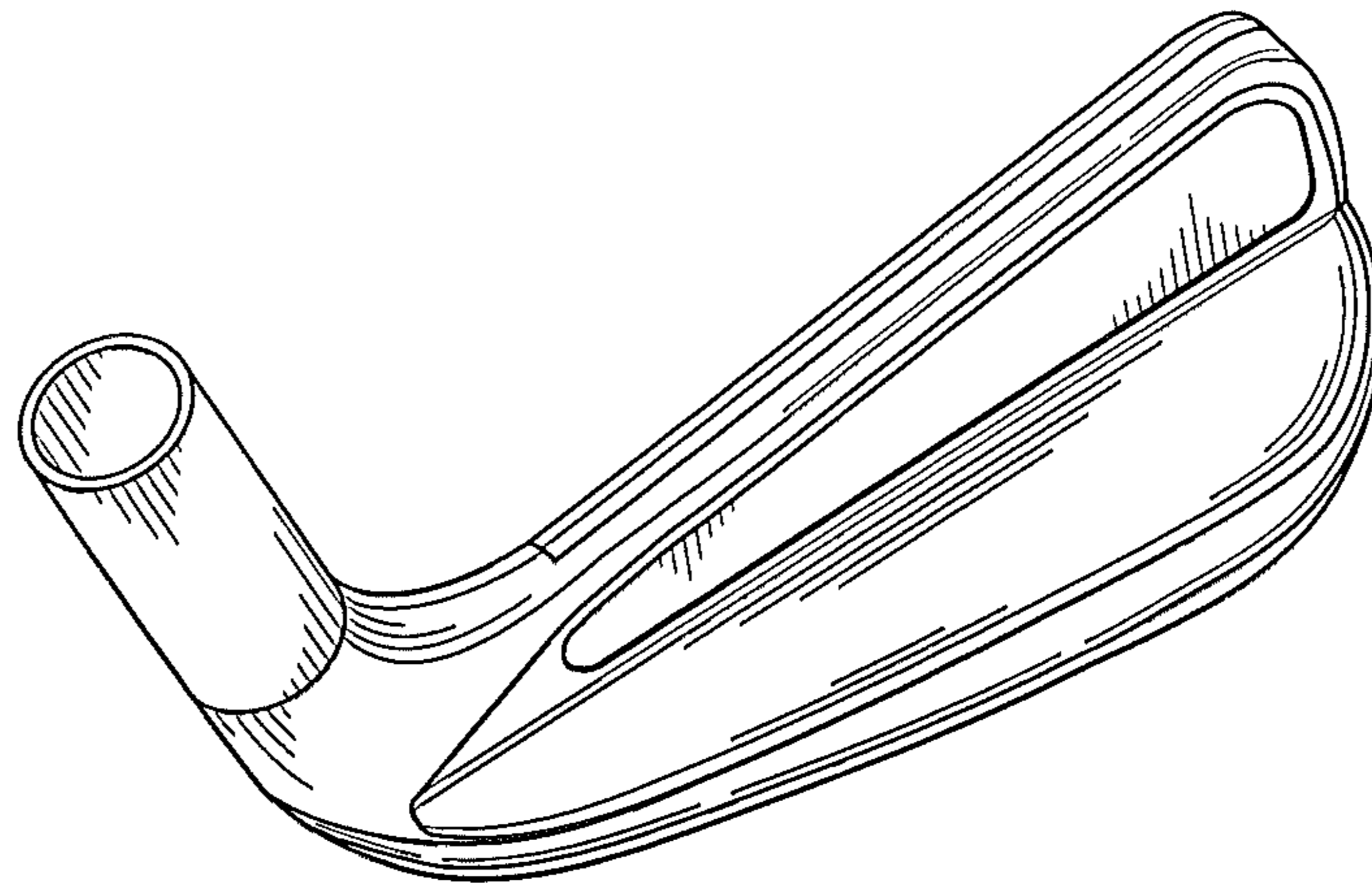


FIG. 1

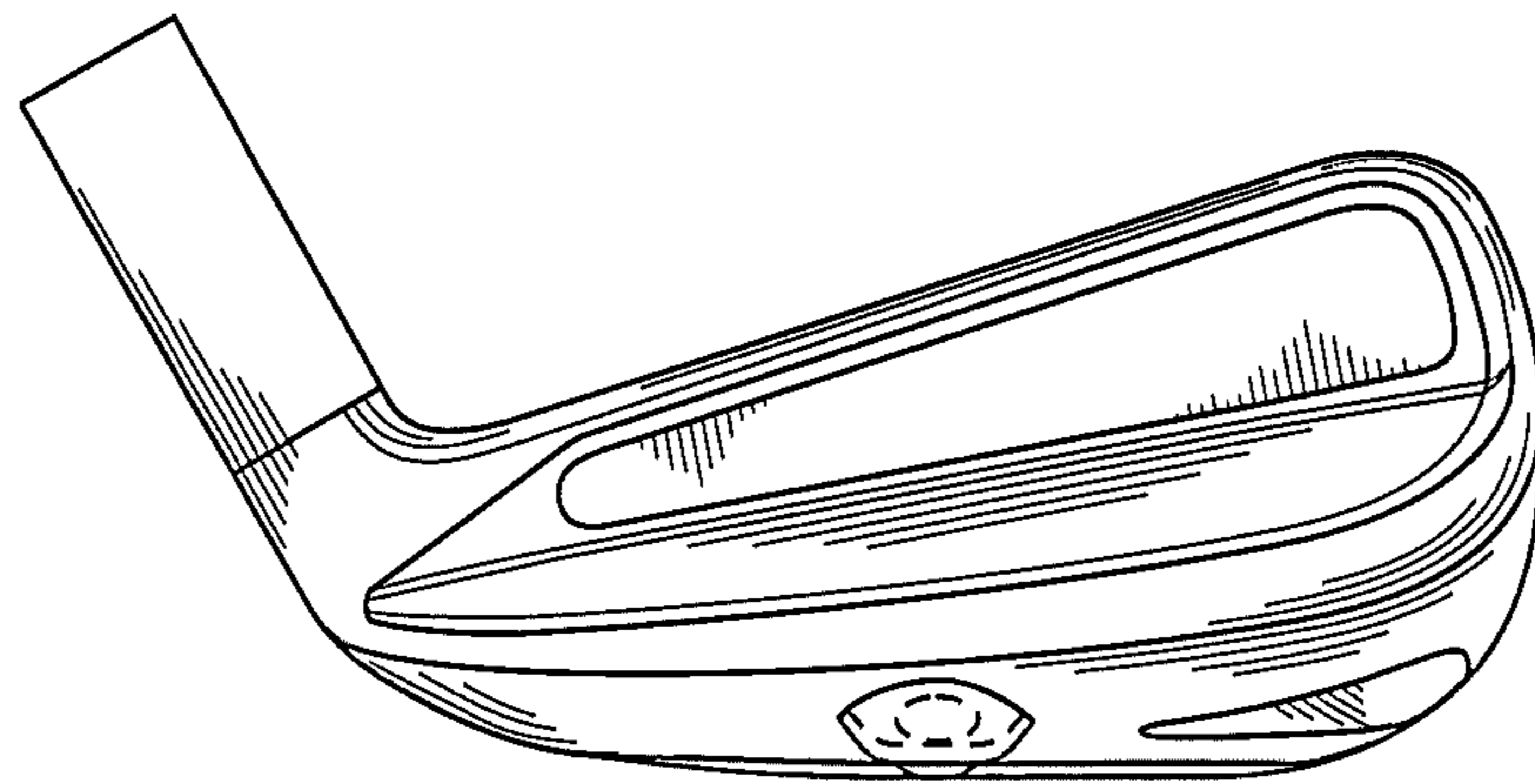


FIG. 2

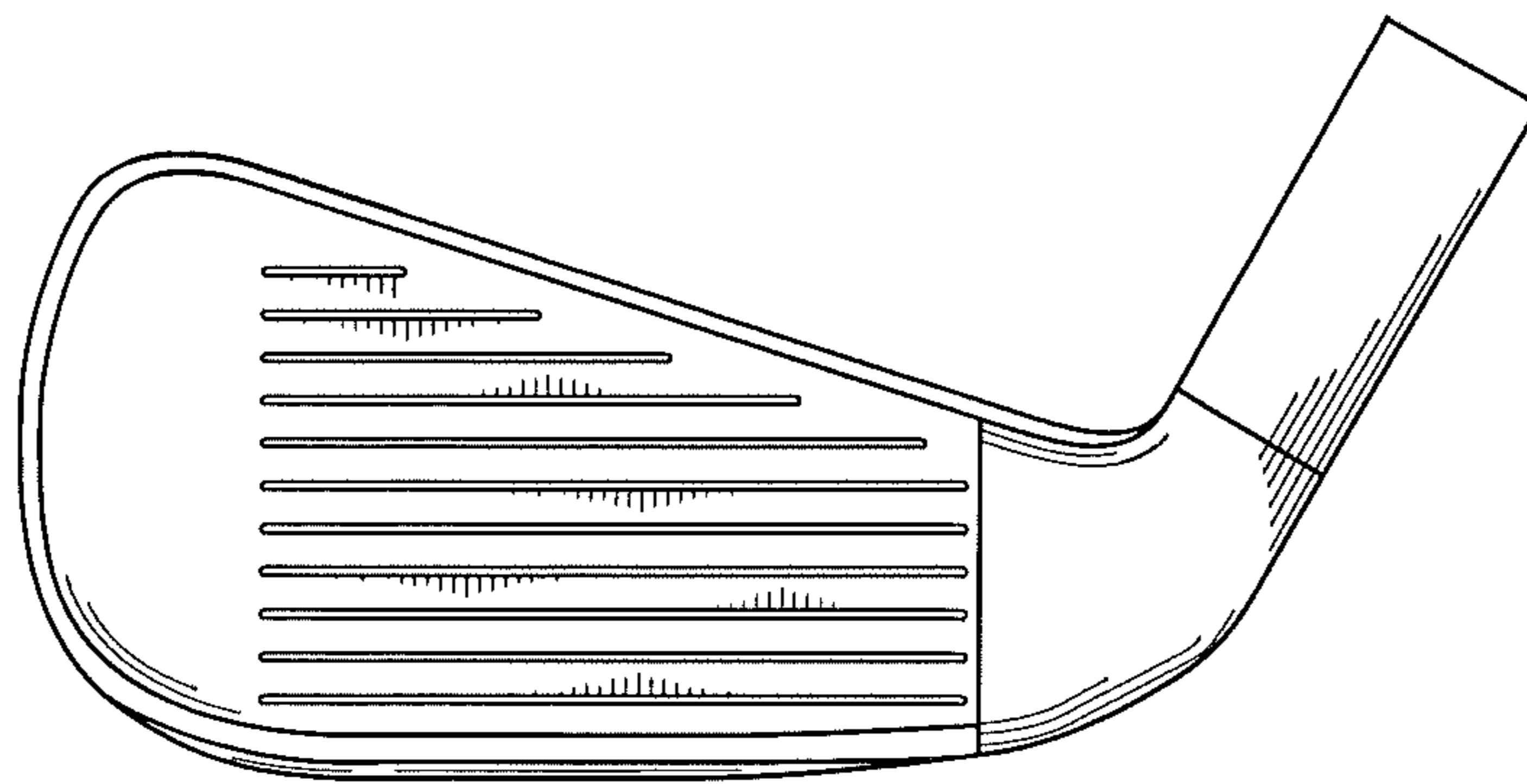


FIG. 3

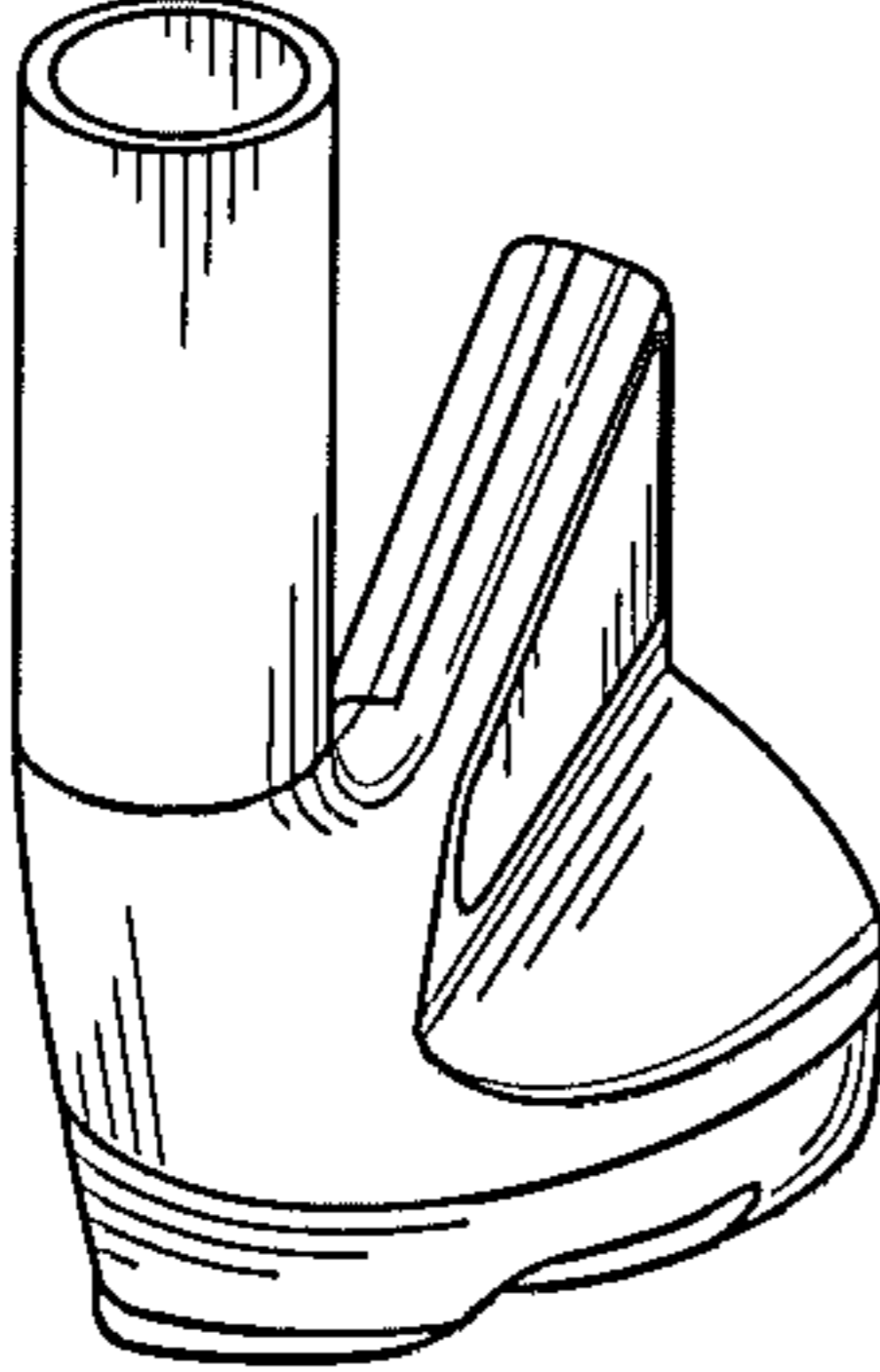


FIG. 4

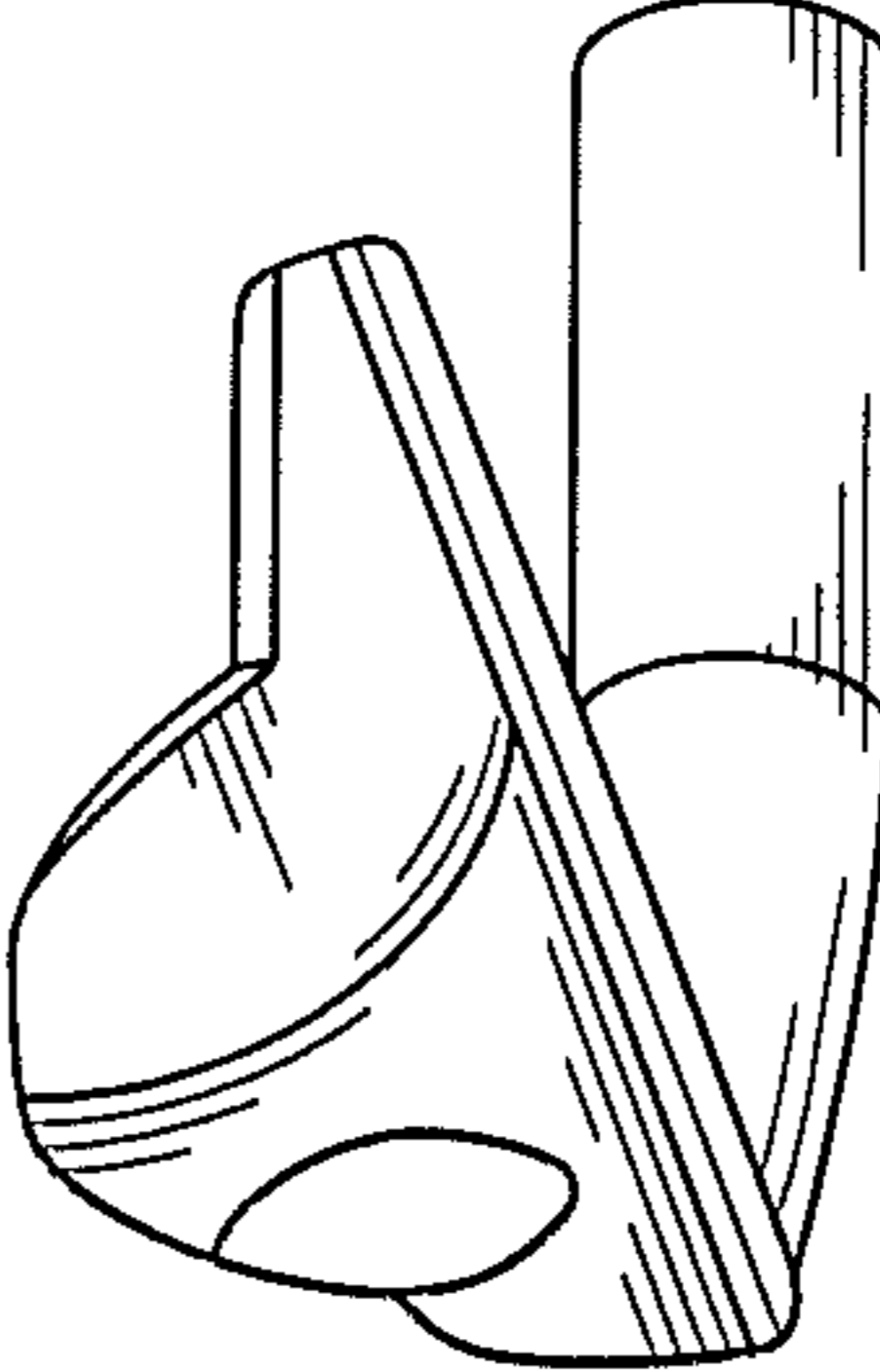


FIG. 5

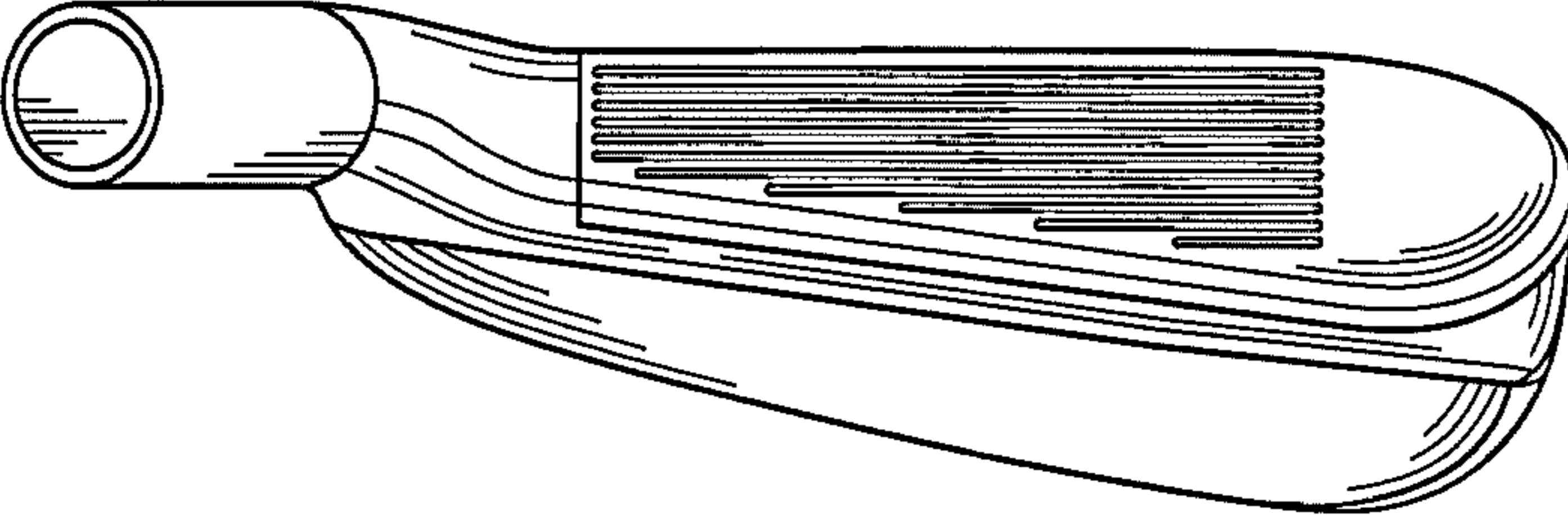


FIG. 6

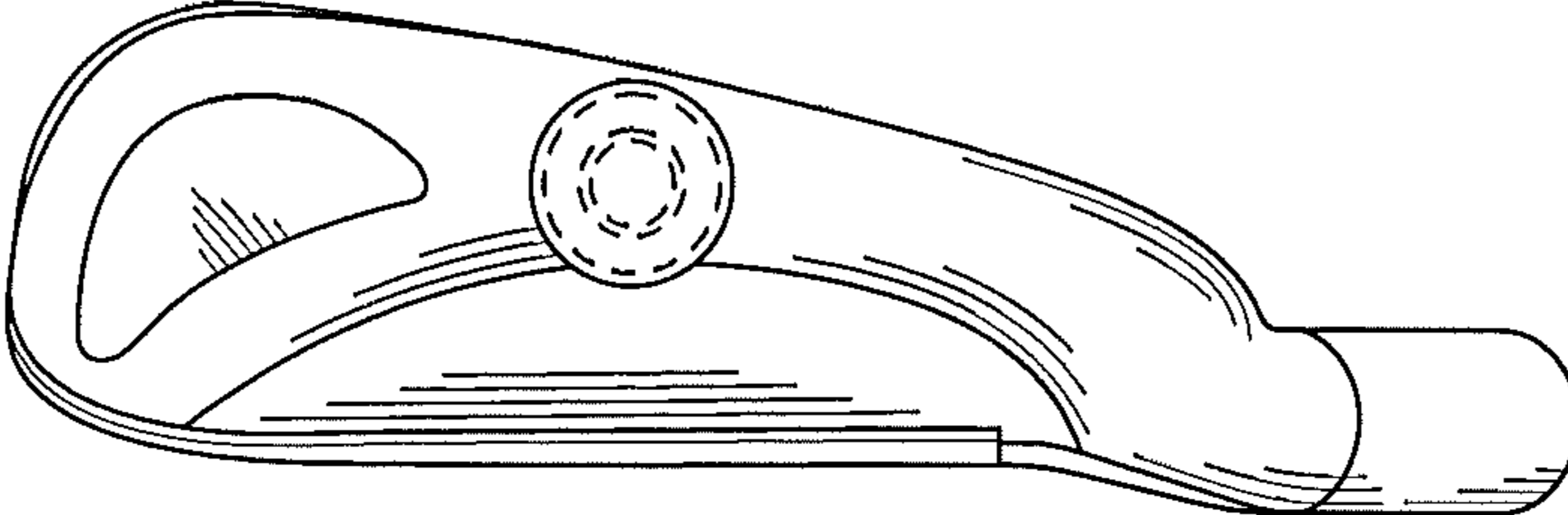


FIG. 7