



US00D684643S

(12) **United States Design Patent**
Kim

(10) **Patent No.:** **US D684,643 S**
(45) **Date of Patent:** **** Jun. 18, 2013**

(54) **GOLF PUTTER HEAD**

(75) Inventor: **Huyn-su Kim**, Changwon-si (KR)

(73) Assignee: **Dongjin Trading Co., Ltd.**,
Changwon-si (KR)

(**) Term: **14 Years**

(21) Appl. No.: **29/422,330**

(22) Filed: **May 18, 2012**

(30) **Foreign Application Priority Data**

Nov. 18, 2011 (KR) 30-2011-0048631

(51) **LOC (9) Cl.** **21-02**

(52) **U.S. Cl.**
USPC **D21/744**

(58) **Field of Classification Search**
USPC D21/736-746; 473/324-331, 340-341,
473/251-256

See application file for complete search history.

(56) **References Cited**

U.S. PATENT DOCUMENTS

D207,227 S *	3/1967	Solheim	D21/739
D389,207 S *	1/1998	Cameron	D21/742
D443,906 S *	6/2001	Hettinger et al.	D21/743
D485,320 S *	1/2004	Breier et al.	D21/736
D498,276 S *	11/2004	Schweigert et al.	D21/743
D521,580 S *	5/2006	Burrows	D21/736

D532,844 S *	11/2006	Rollinson	D21/736
D532,845 S *	11/2006	Rollinson	D21/736
D548,294 S *	8/2007	Nguyen et al.	D21/736
D552,196 S *	10/2007	Hueber	D21/742
D562,921 S *	2/2008	Nguyen et al.	D21/742
D574,908 S *	8/2008	Hettinger et al.	D21/743
D588,222 S *	3/2009	Takahashi	D21/759
D590,462 S *	4/2009	Hettinger et al.	D21/743
D591,807 S *	5/2009	Rollinson	D21/744
D639,366 S *	6/2011	Reinberg	D21/759
D639,367 S *	6/2011	Reinberg	D21/759
D643,893 S *	8/2011	Rollinson	D21/742
D648,407 S *	11/2011	Teramoto	D21/743

* cited by examiner

Primary Examiner — Mitchell Siegel

(74) *Attorney, Agent, or Firm* — Stein IP, LLC

(57) **CLAIM**

The ornamental design for a golf putter head, as described is shown in the forgoing application.

DESCRIPTION

FIG. 1 is a perspective view;
FIG. 2 is a front view;
FIG. 3 is a rear view;
FIG. 4 is a left side view;
FIG. 5 is a right side view;
FIG. 6 is a plane view; and,
FIG. 7 is a bottom view.

1 Claim, 4 Drawing Sheets

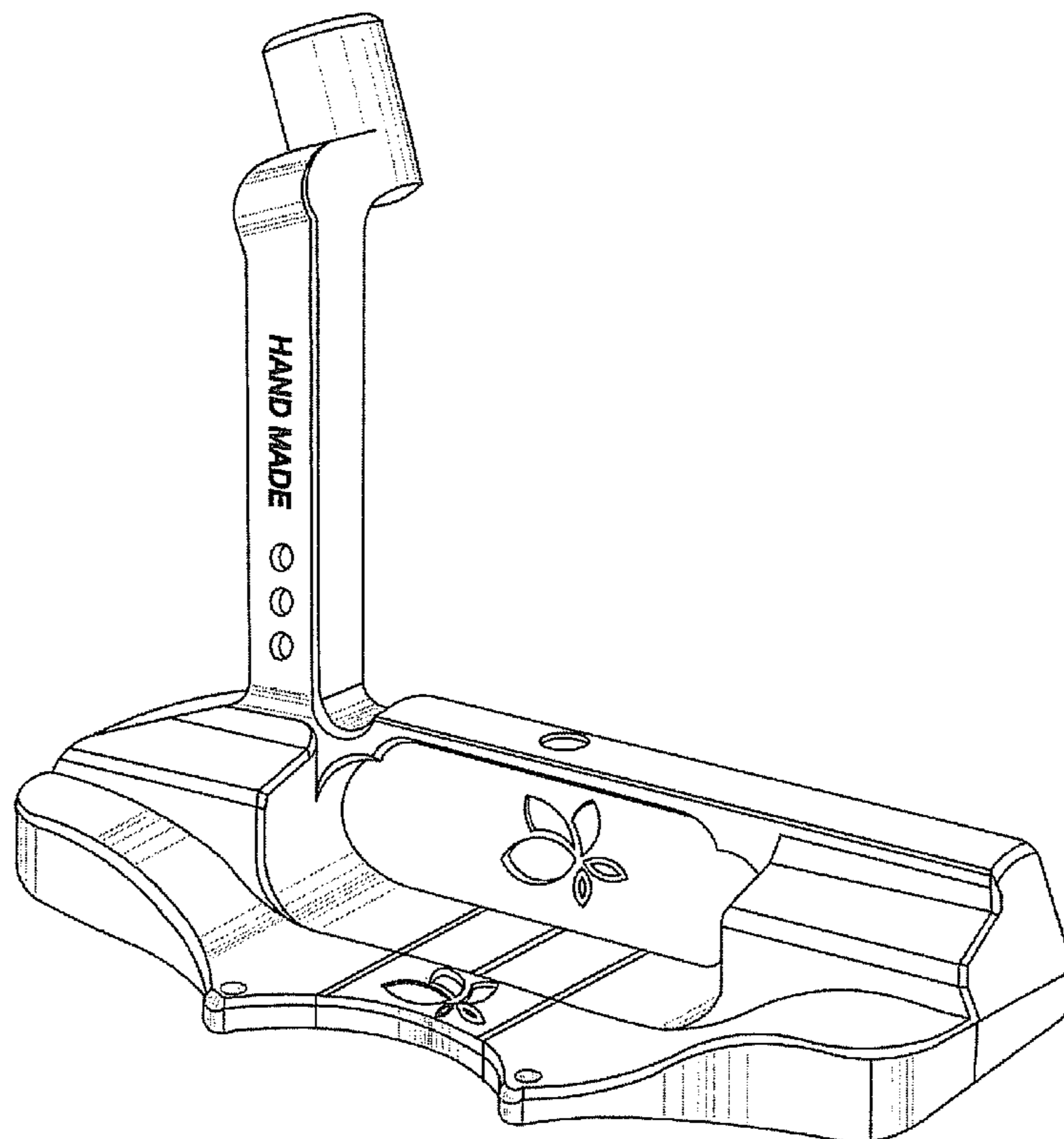


FIG.1

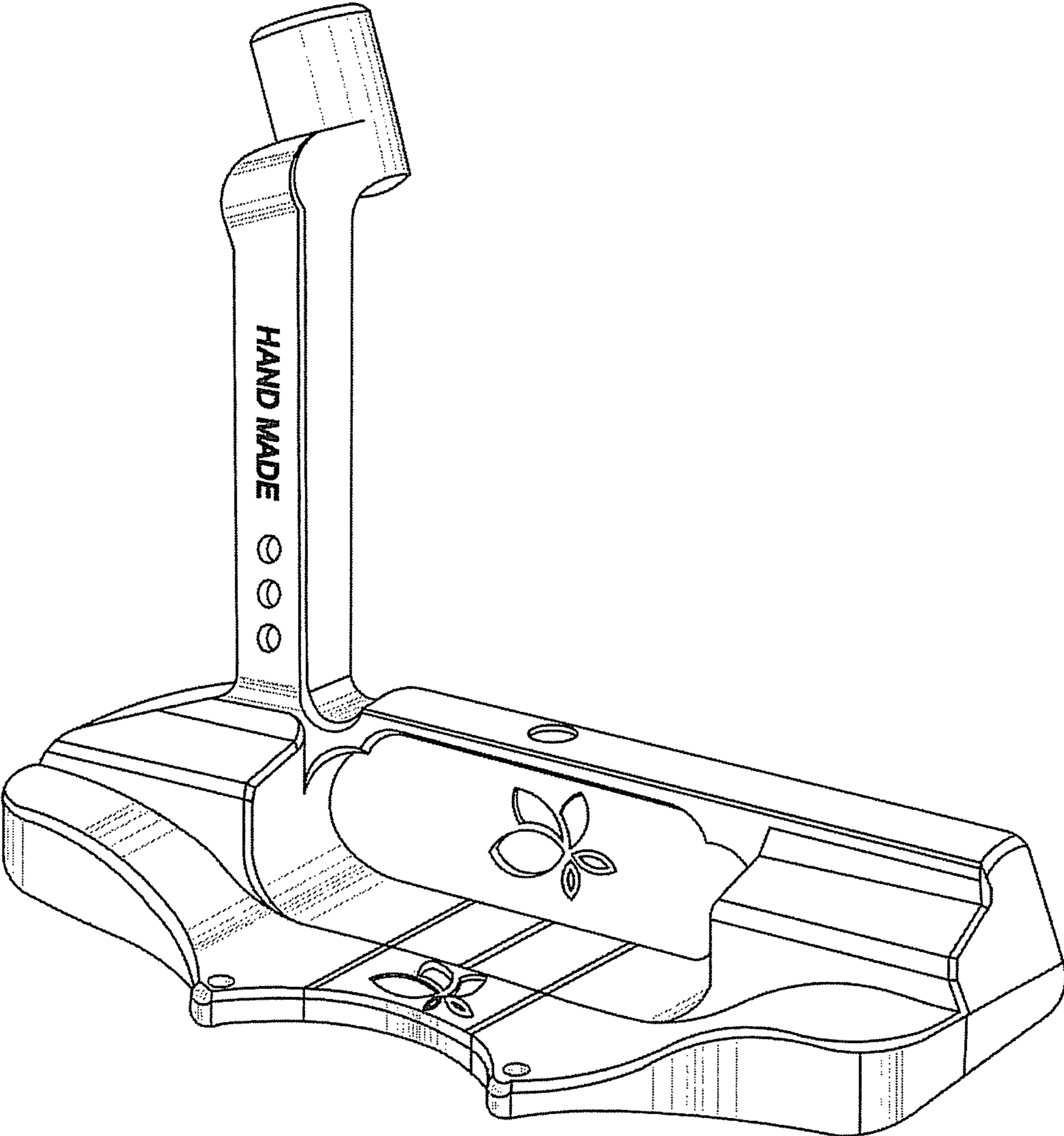


FIG.2

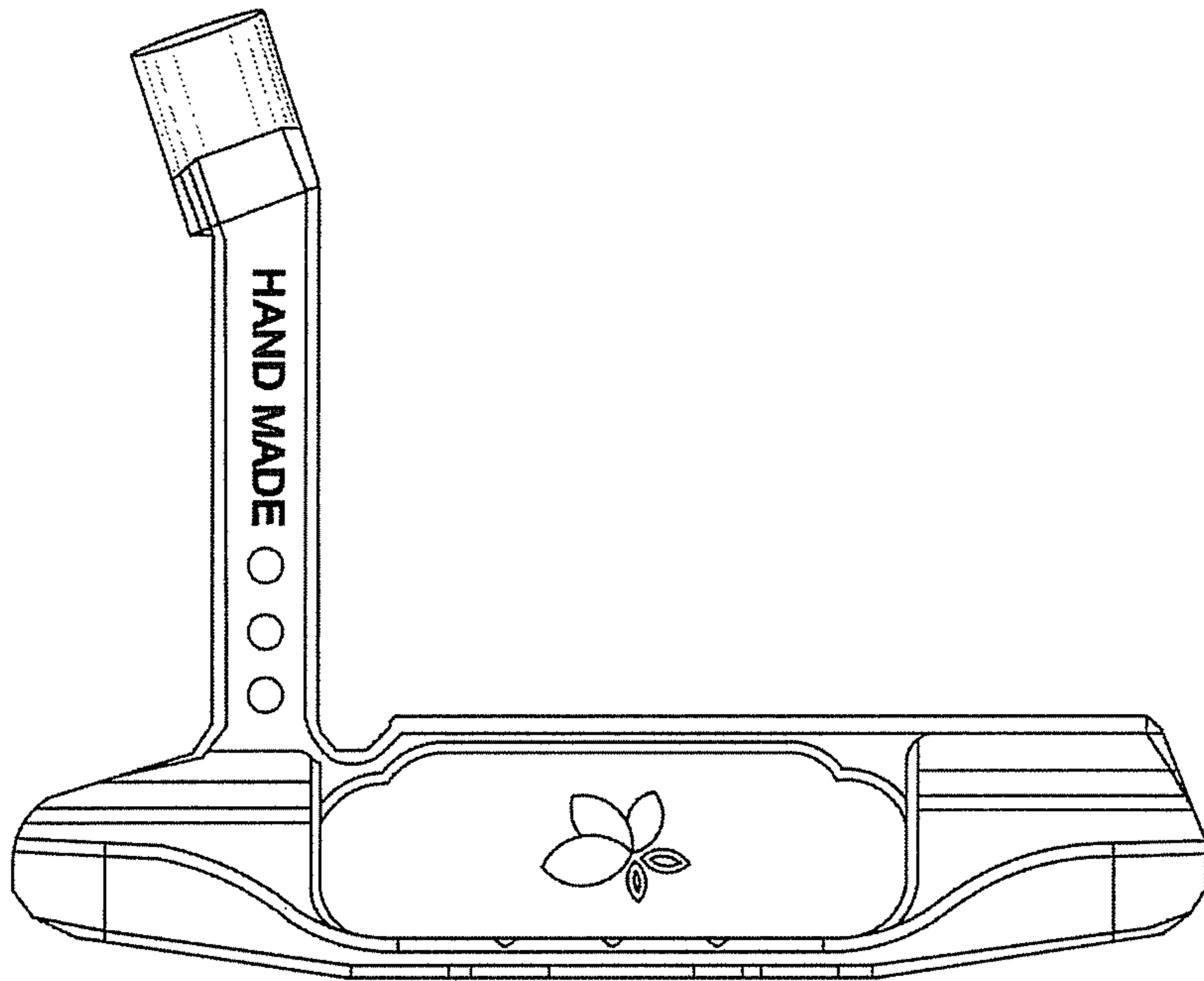


FIG.3

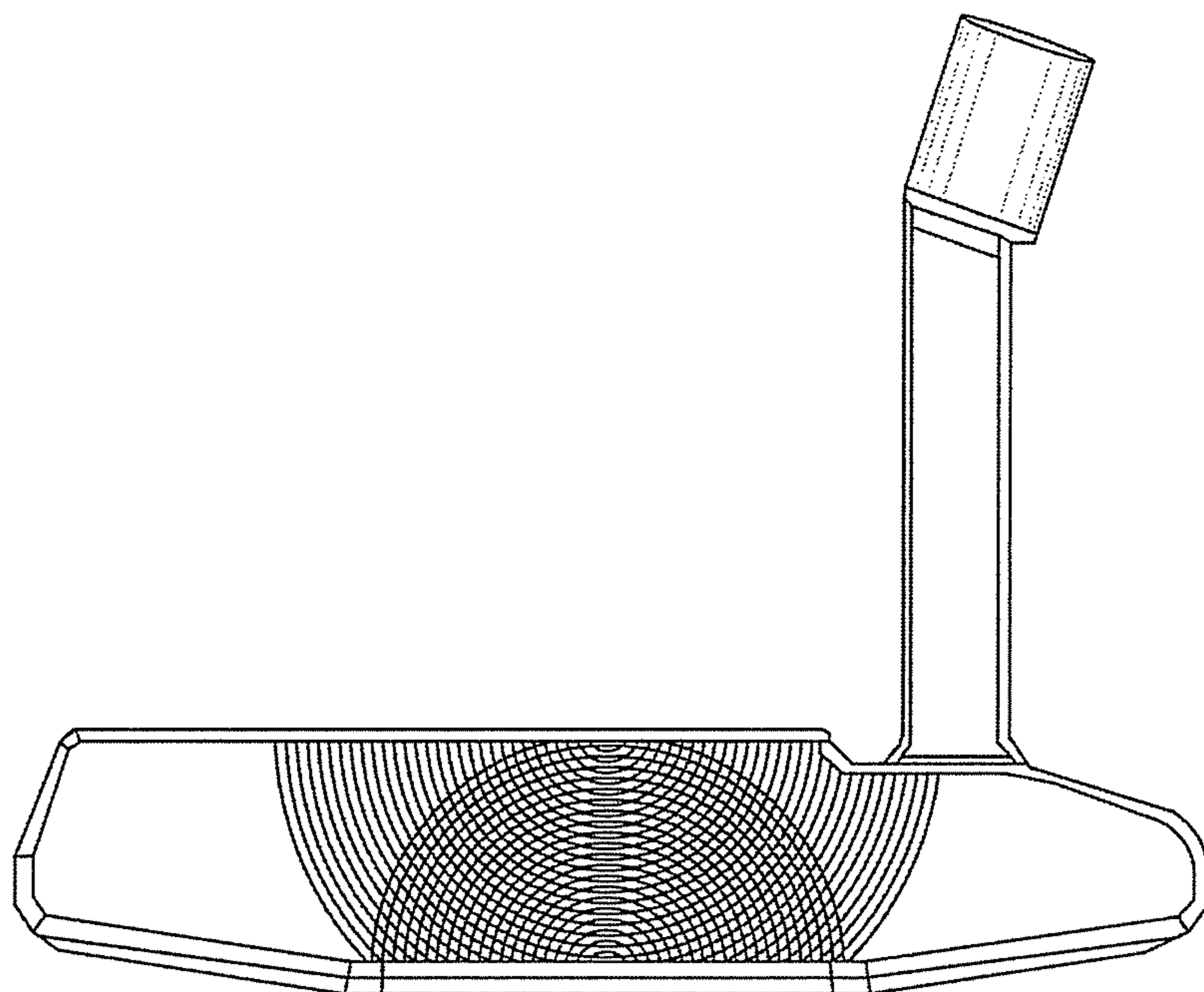


FIG.4

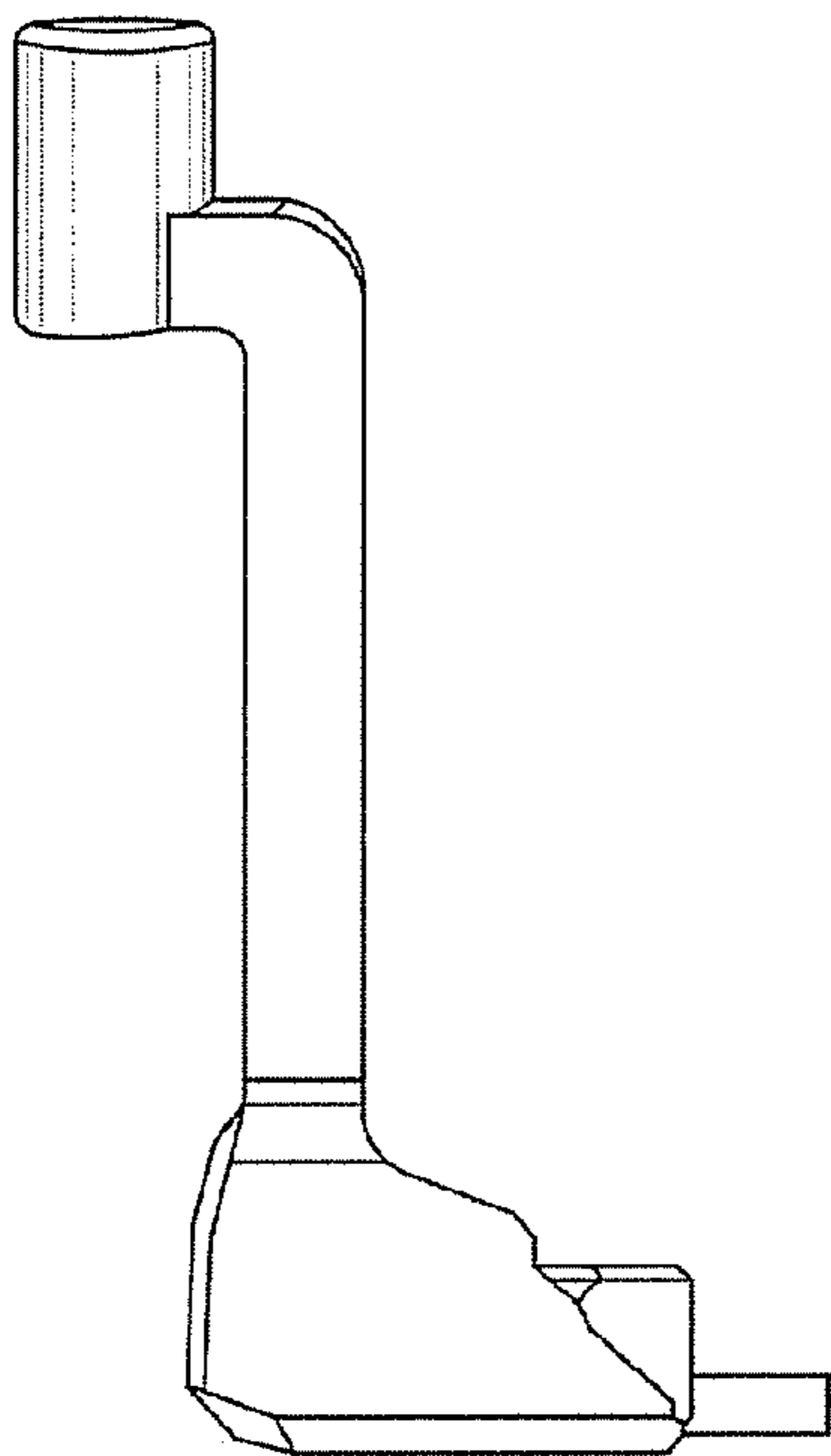


FIG.5

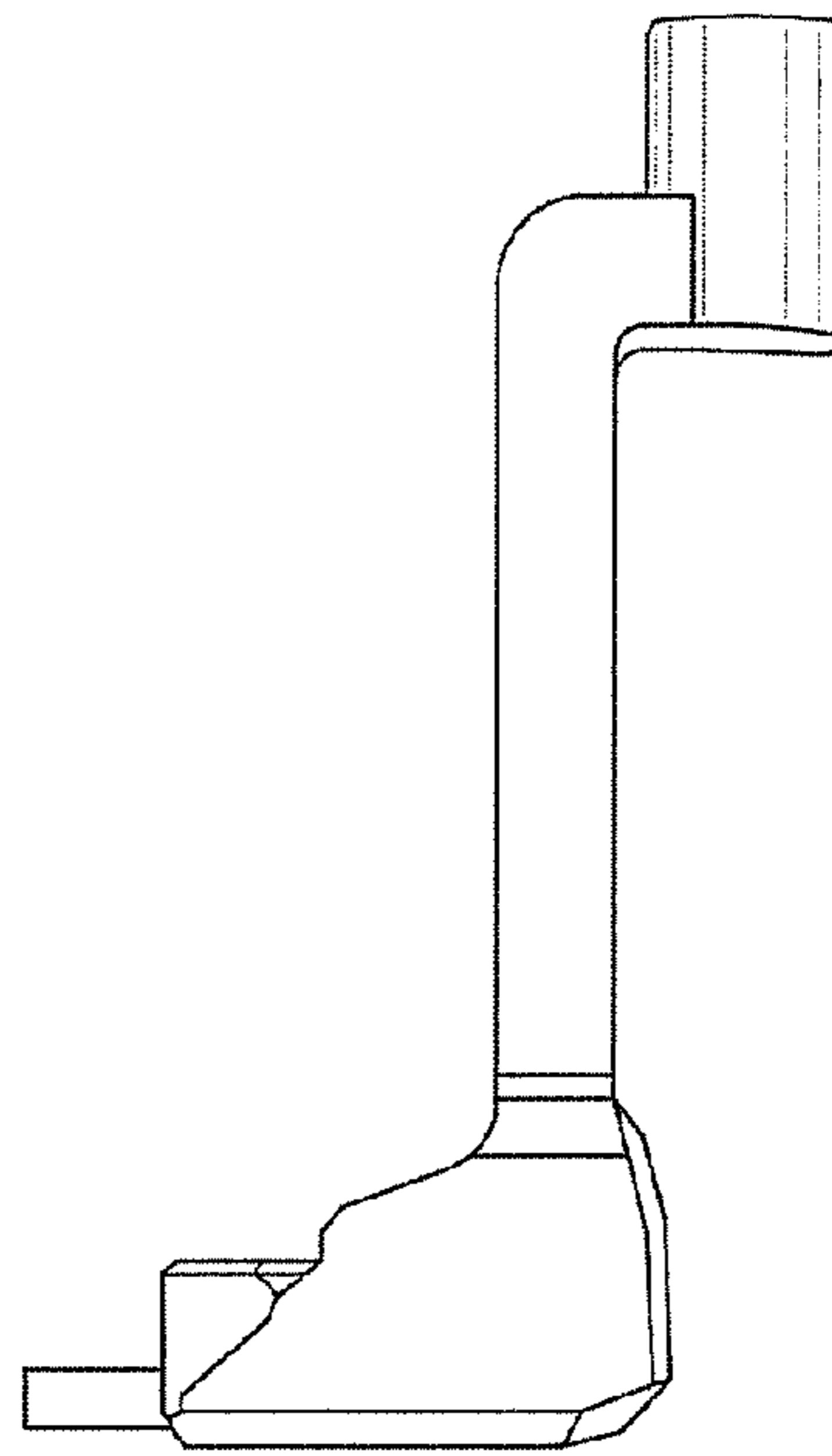


FIG. 6

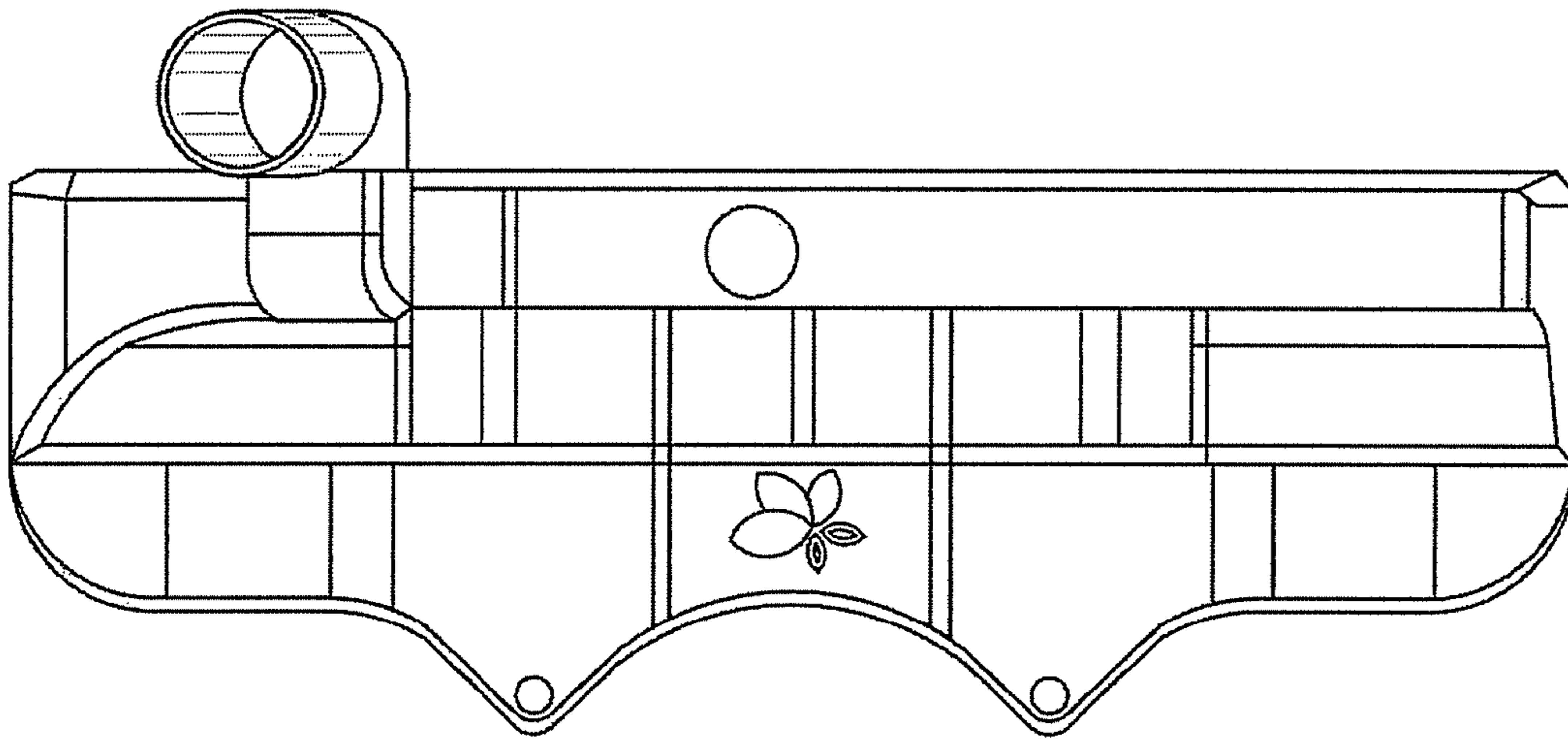


FIG. 7

