



US00D684642S

(12) **United States Design Patent**
Li

(10) **Patent No.:** **US D684,642 S**
(45) **Date of Patent:** **** Jun. 18, 2013**

(54) **TOY AIRPLANE MODEL**

(76) Inventor: **Sijin Li**, Guangdong (CN)

(**) Term: **14 Years**

(21) Appl. No.: **29/414,510**

(22) Filed: **Feb. 29, 2012**

(51) **LOC (9) Cl.** **21-01**

(52) **U.S. Cl.**
USPC **D21/447**; D21/450; D12/328

(58) **Field of Classification Search**
USPC D12/319, 326, 327, 328, 329, 331–334,
D12/337, 338, 339, 344, 345; D21/430, 441,
D21/442, 446, 447, 448, 449, 450, 451, 452,
D21/453; 244/2, 5, 6, 7 C, 7 R, 7 A, 8, 12.1,
244/12.3, 12.4, 17.11, 17.19, 17.23, 17.25,
244/17.27, 99.1, 119, 117 R, 118.5, 56, 60;
280/1.12; 446/34, 35, 36, 37, 38, 57–59,
446/230, 231, 232, 233, 235, 236; 416/61,
416/87

See application file for complete search history.

(56) **References Cited**

U.S. PATENT DOCUMENTS

1,446,718 A * 2/1923 Newbauer 244/6
1,557,789 A * 10/1925 Bane 244/7 A
3,035,789 A * 5/1962 Young 244/7 C
3,253,806 A * 5/1966 Eickmann 244/17.23
4,142,697 A * 3/1979 Fradenburgh 244/7 R

5,054,716 A * 10/1991 Wilson 244/56
5,141,176 A * 8/1992 Kress et al. 244/7 C
5,352,090 A * 10/1994 Churchill et al. 416/61
5,381,985 A * 1/1995 Wechsler et al. 244/7 C
6,019,578 A * 2/2000 Hager et al. 416/87
D548,803 S * 8/2007 Zimet D21/442
D561,676 S * 2/2008 Wai D12/326
2007/0205321 A1 * 9/2007 Waide 244/17.23
2008/0207079 A1 * 8/2008 Corsiglia et al. 446/37
2010/0323579 A1 * 12/2010 Liang et al. 446/36
2011/0024552 A1 * 2/2011 Patt et al. 244/6

* cited by examiner

Primary Examiner — Caron D Veynar

Assistant Examiner — Martie K Holtje

(74) *Attorney, Agent, or Firm* — Raymond Y. Chan; David and Raymond Patent Firm

(57) **CLAIM**

The ornamental design for a toy airplane model, as shown and described.

DESCRIPTION

FIG. 1 is a perspective view of toy airplane model showing my new design.

FIG. 2 is a front elevational view thereof;

FIG. 3 is a rear elevational view thereof;

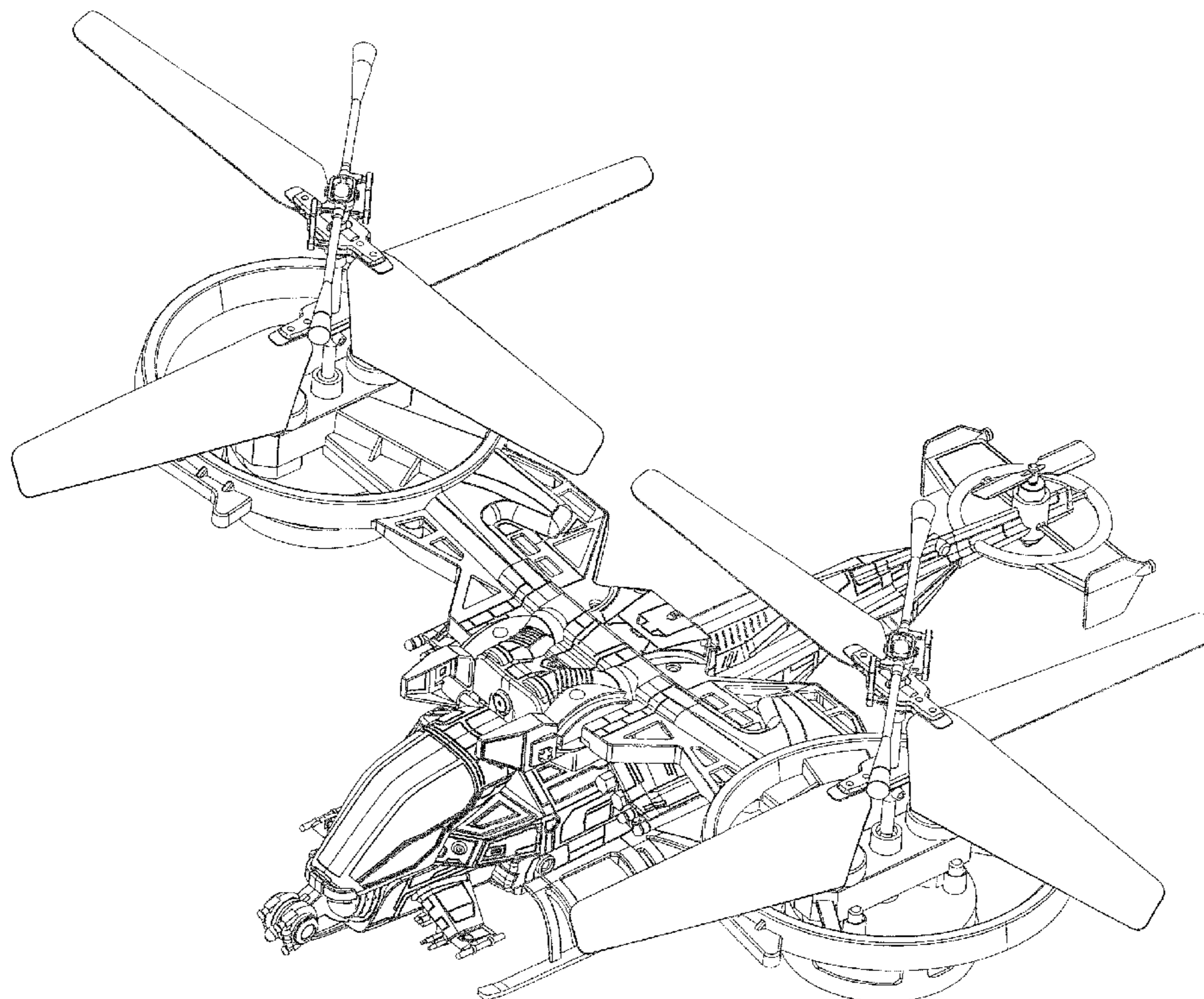
FIG. 4 is a left side elevational view thereof;

FIG. 5 is a right side elevational view thereof;

FIG. 6 is a top plan view thereof; and,

FIG. 7 is a bottom plan view thereof.

1 Claim, 7 Drawing Sheets



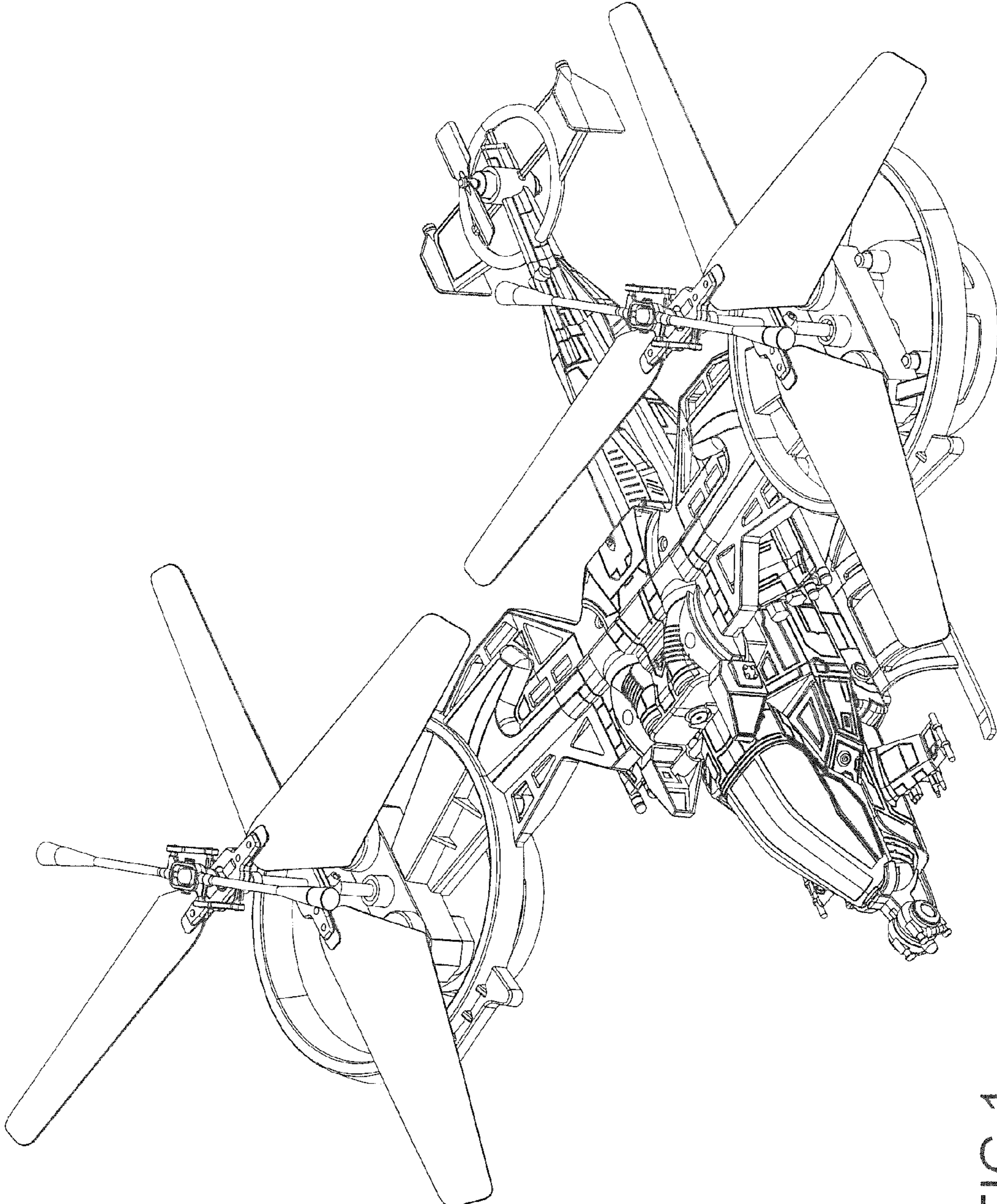


FIG.1

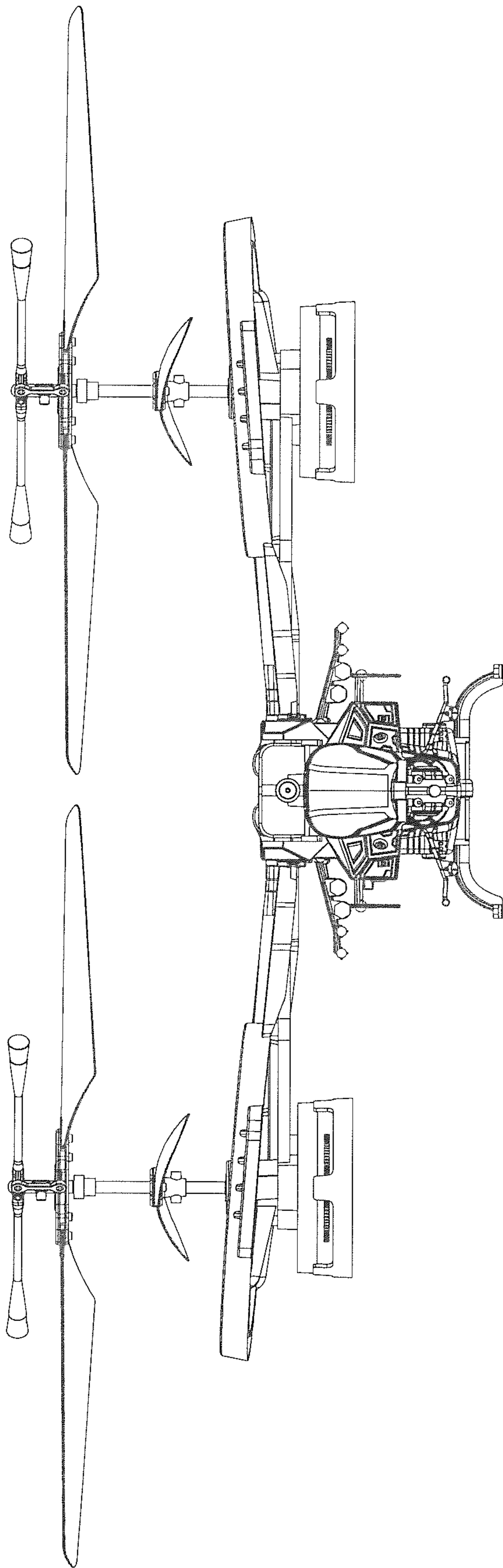


FIG.2

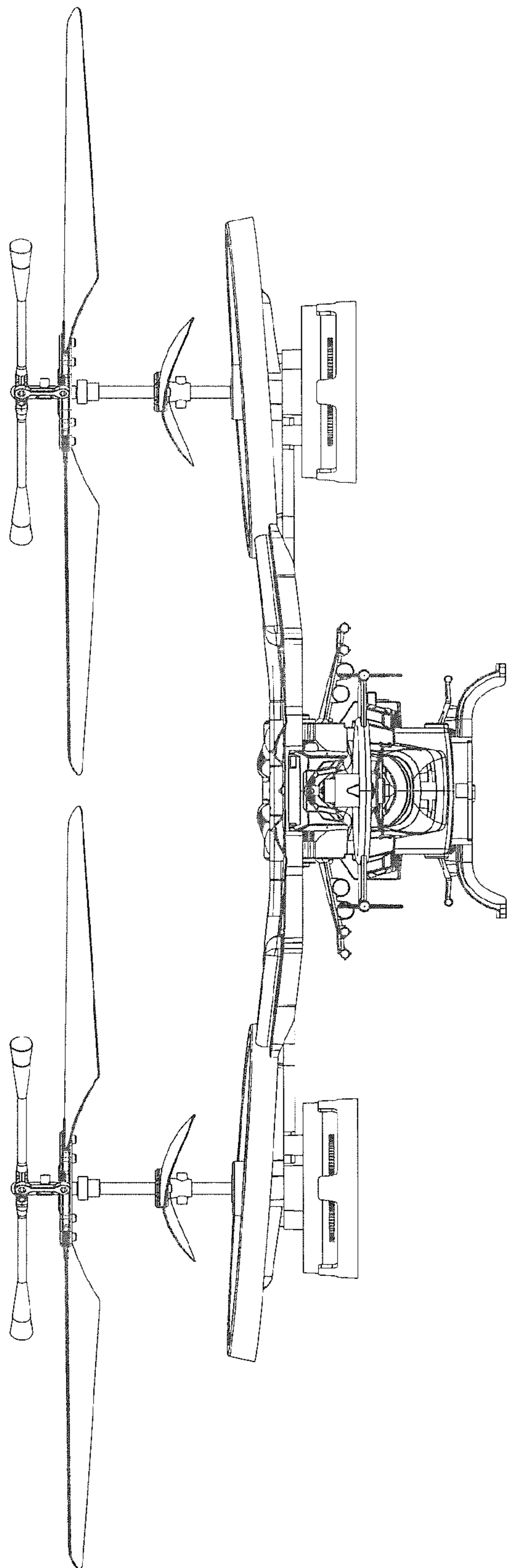


FIG.3

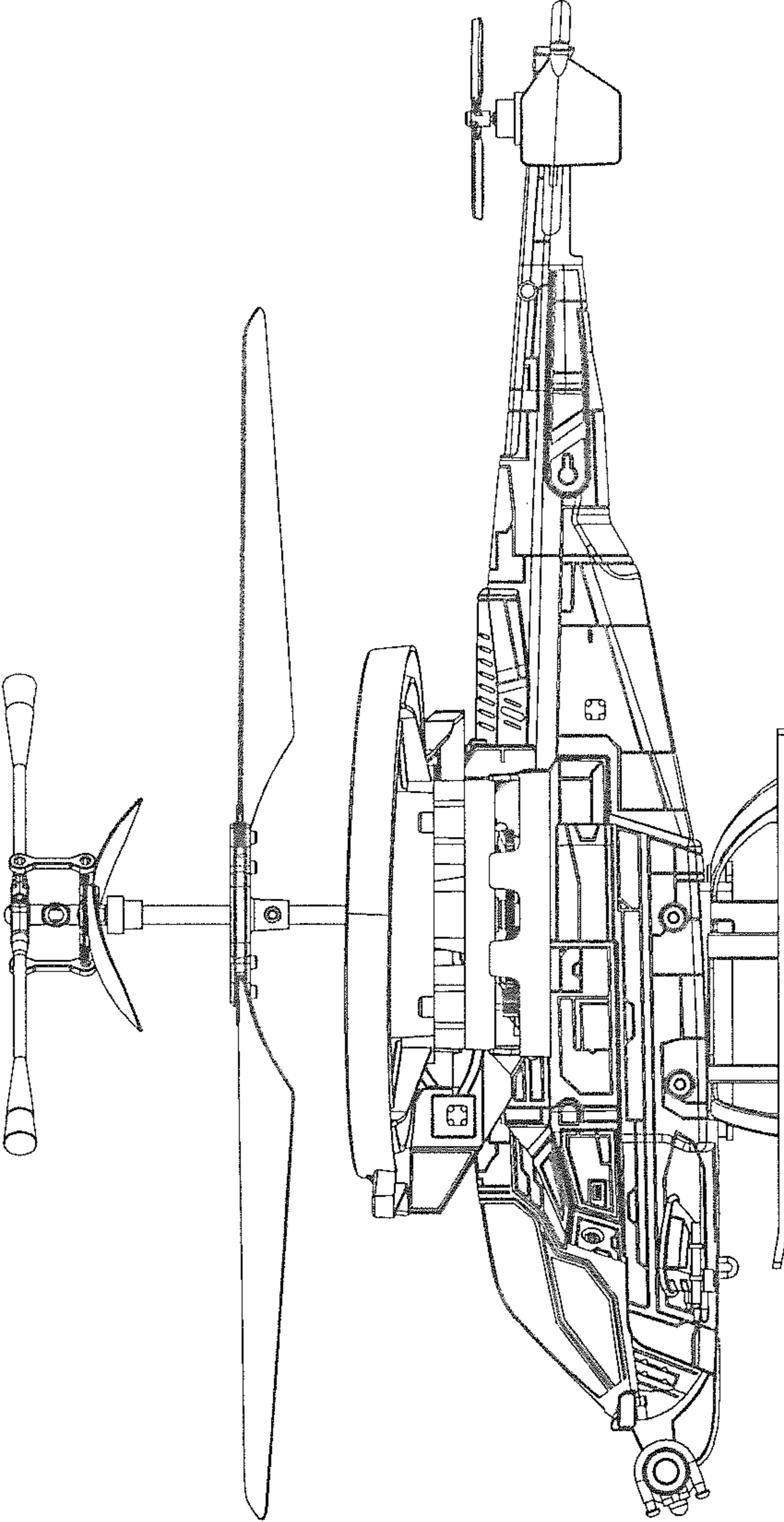


FIG.4

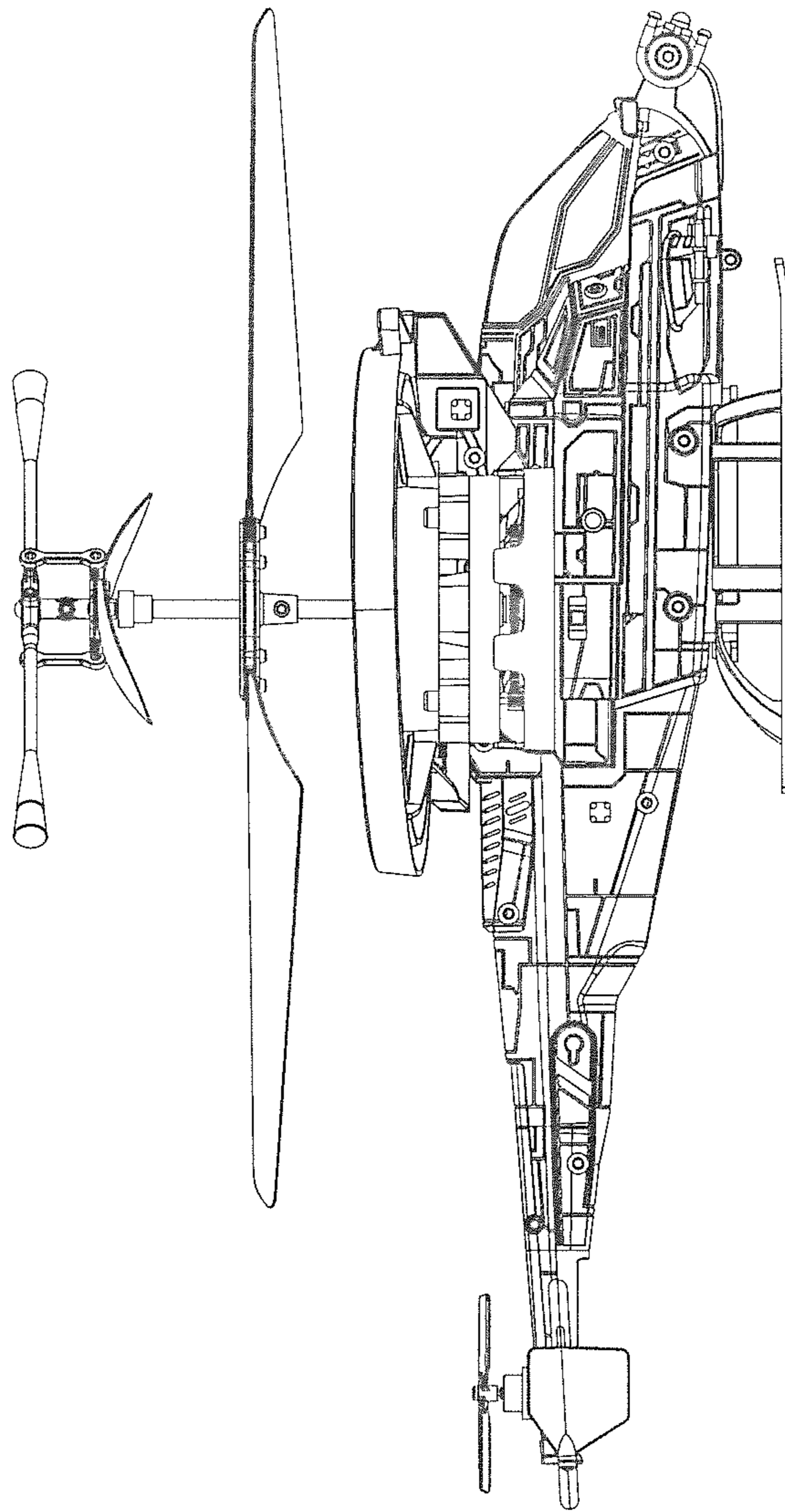


FIG.5

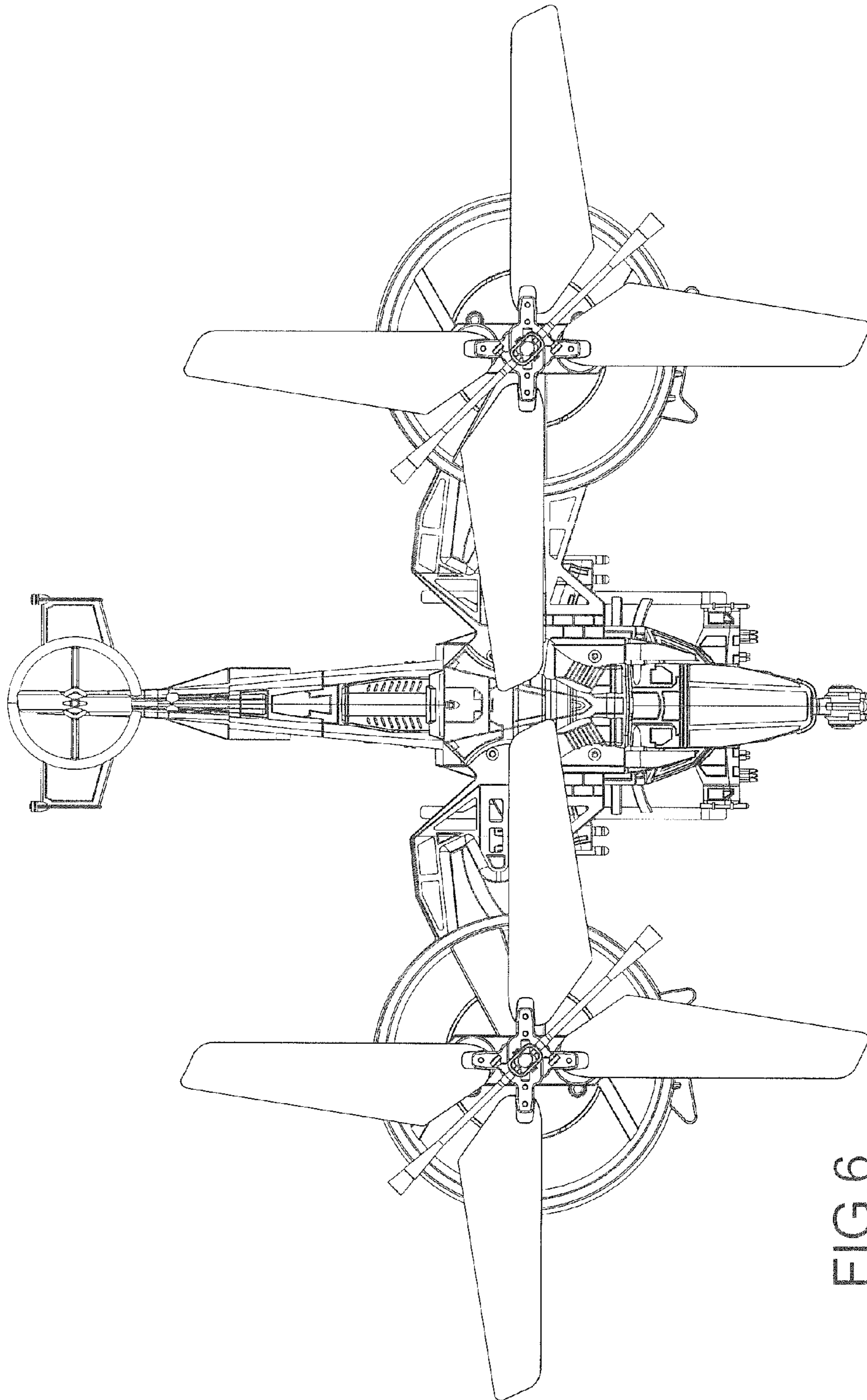


FIG. 6

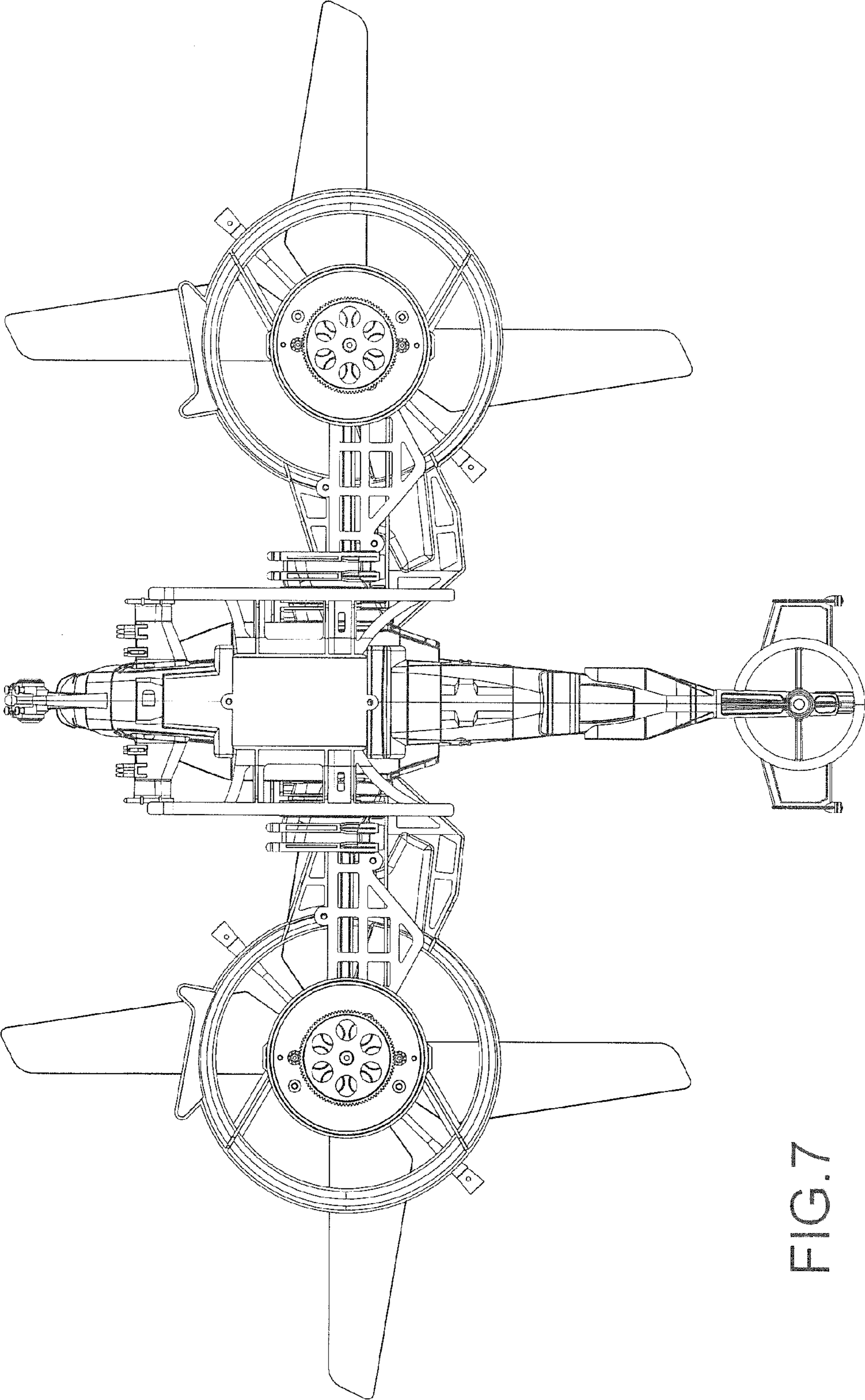


FIG.7