



US00D684641S

(12) **United States Design Patent**  
**Jameson**

(10) **Patent No.:** **US D684,641 S**  
(45) **Date of Patent:** **\*\* Jun. 18, 2013**

- (54) **INFANT SLIDING WALKING TOY**
- (76) Inventor: **Brad Jameson**, Lewistown, MT (US)
- (\*\*) Term: **14 Years**
- (21) Appl. No.: **29/422,448**
- (22) Filed: **May 21, 2012**
- (51) **LOC (9) Cl.** ..... **21-01**
- (52) **U.S. Cl.**  
USPC ..... **D21/421**; D12/130
- (58) **Field of Classification Search**  
USPC ..... D21/421, 698, 771, 788; D12/130,  
D12/133; 280/7.1, 7.17, 87.041, 87.05, 87.051;  
482/66, 68, 69; 473/441, 442, 444, 445  
See application file for complete search history.

D353,566 S *	12/1994	Chow et al. ....	D12/130
D359,259 S	6/1995	Hokkanen et al.	
5,520,597 A	5/1996	Tobin	
D389,543 S *	1/1998	Morning .....	D21/760
6,036,609 A *	3/2000	Gilman .....	473/445
D443,233 S *	6/2001	Gaudet et al. ....	D12/130
6,261,194 B1 *	7/2001	Hadar et al. ....	473/441
D469,142 S *	1/2003	Forrest .....	D21/788
7,322,893 B2	1/2008	Bright	
7,727,089 B2 *	6/2010	Gilman .....	473/445
D635,631 S *	4/2011	Milne .....	D21/771
D659,779 S *	5/2012	Gray .....	D21/698

\* cited by examiner

*Primary Examiner* — Cynthia M Chin  
(74) *Attorney, Agent, or Firm* — Goldstein Law Offices, P.C.

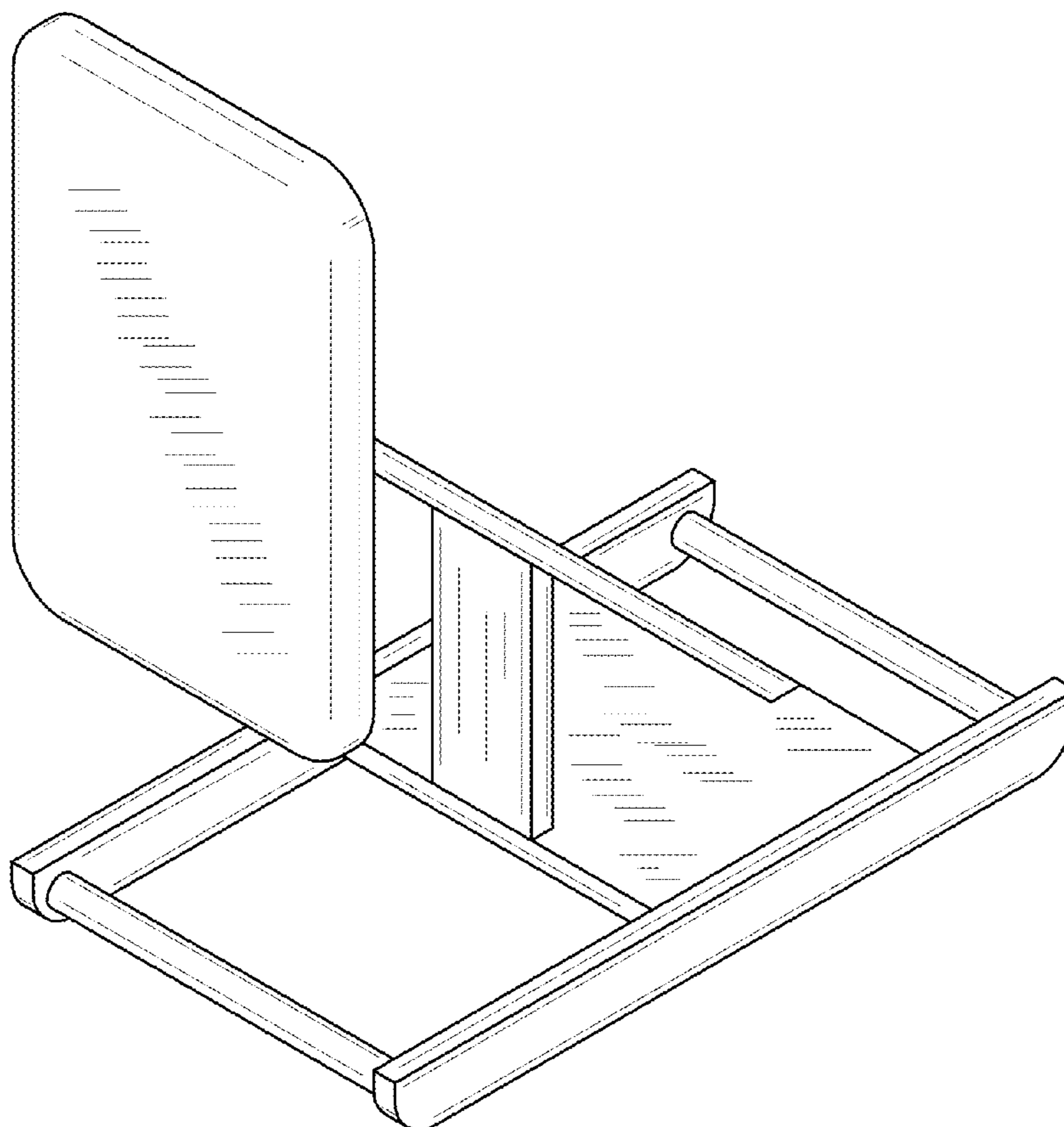
(57) **CLAIM**  
The ornamental design for an infant sliding walking toy, as shown and described.

**DESCRIPTION**

FIG. 1 is a perspective view of the infant sliding walking toy in full lines.  
FIG. 2 is a front elevation view of the sliding walking toy.  
FIG. 3 is a rear elevational view thereof.  
FIG. 4 is a top plan view thereof.  
FIG. 5 is a bottom plan view thereof.  
FIG. 6 is a left side elevational view thereof; and,  
FIG. 7 is a right side elevational view thereof.

**1 Claim, 4 Drawing Sheets**

- (56) **References Cited**  
U.S. PATENT DOCUMENTS
- |               |         |                     |         |
|---------------|---------|---------------------|---------|
| 1,729,557 A   | 11/1928 | Stoll               |         |
| 2,627,904 A   | 1/1951  | Thieman             |         |
| 3,391,930 A * | 7/1968  | Weissman .....      | 482/68  |
| D233,219 S *  | 10/1974 | O'Donnell .....     | D21/788 |
| 4,021,033 A * | 5/1977  | Auclair et al. .... | 482/66  |
| 4,573,680 A * | 3/1986  | McNally .....       | 473/441 |
| 4,946,158 A   | 8/1990  | Olayan et al.       |         |
| 5,013,032 A   | 5/1991  | Baum et al.         |         |



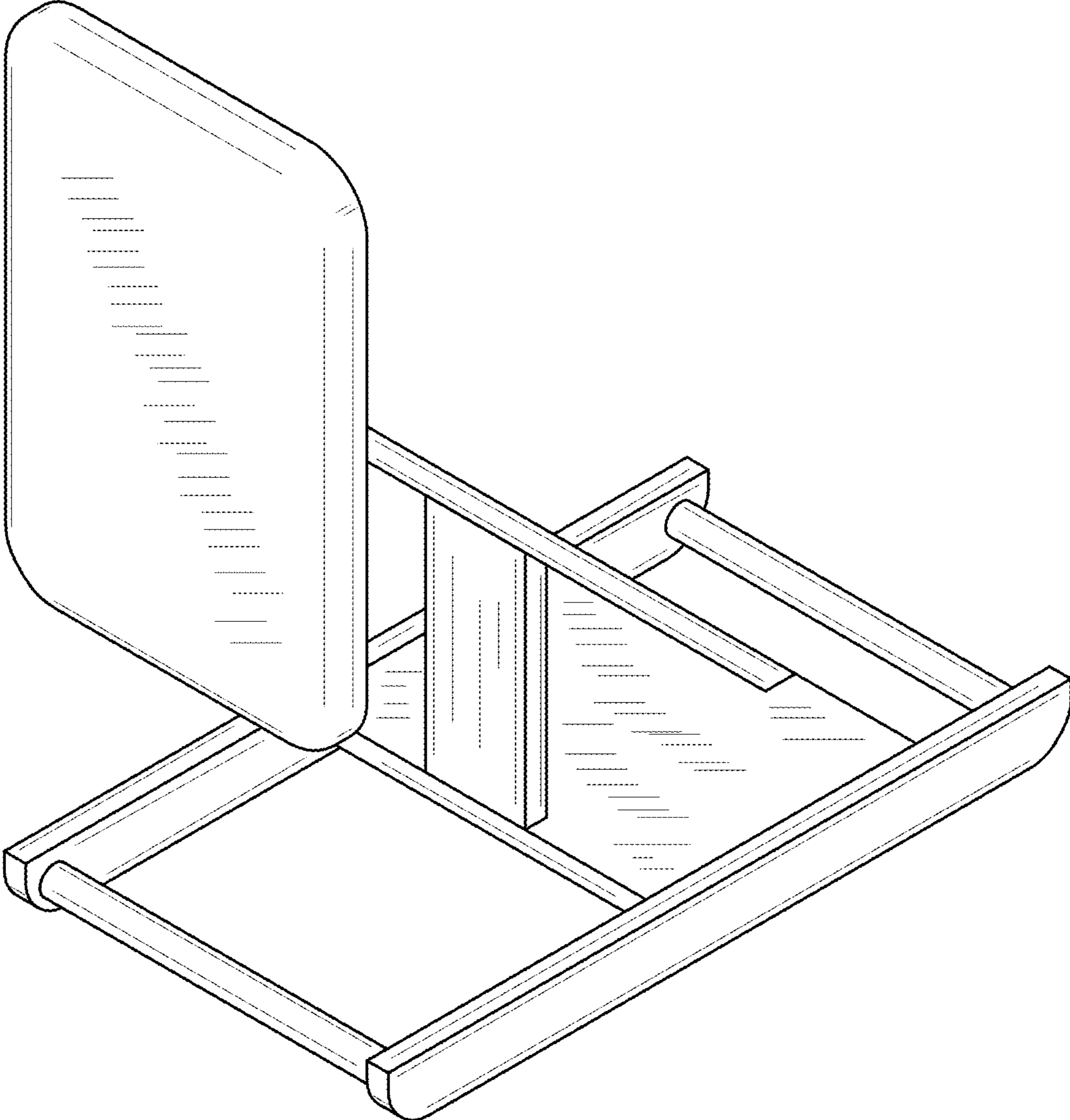
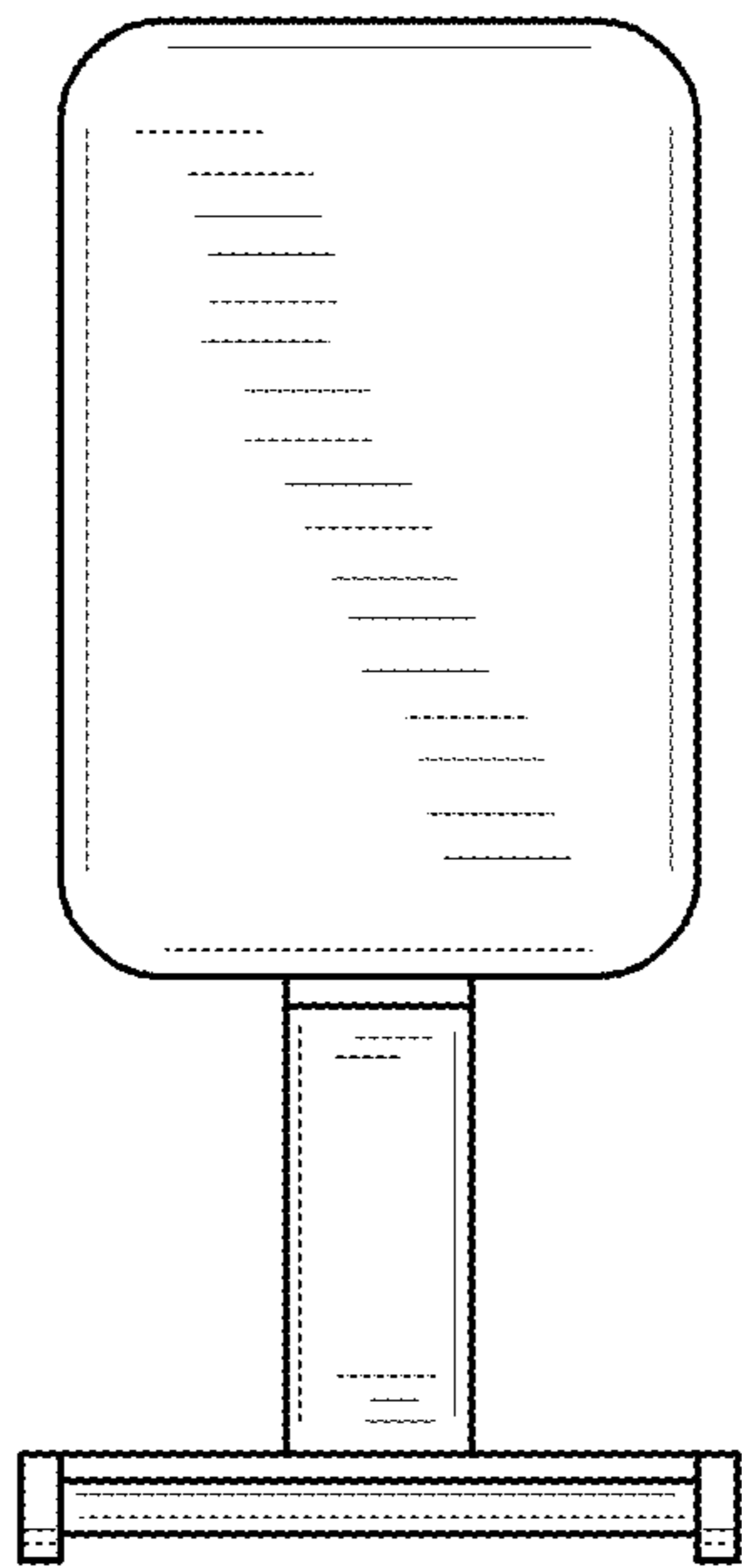
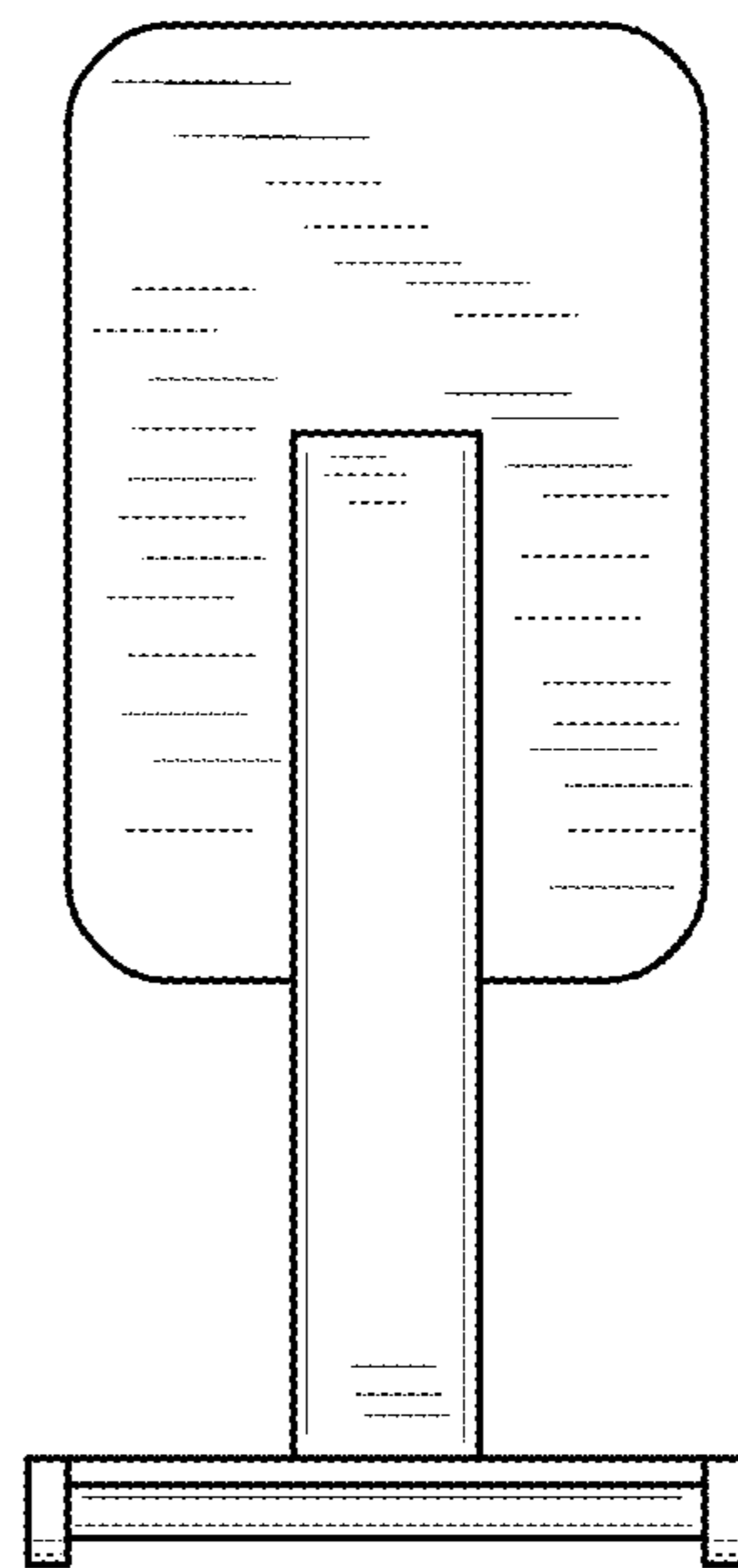


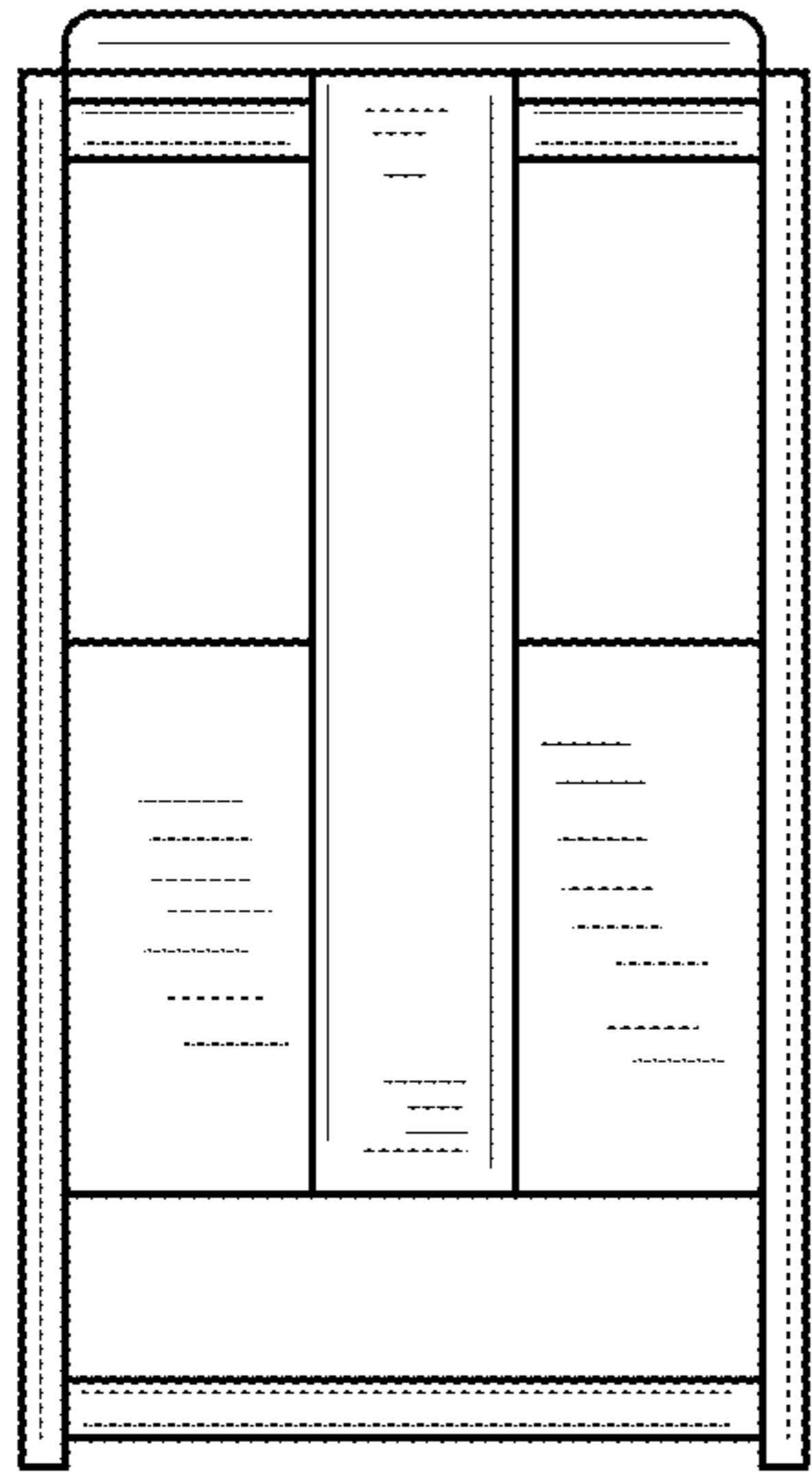
FIG. 1



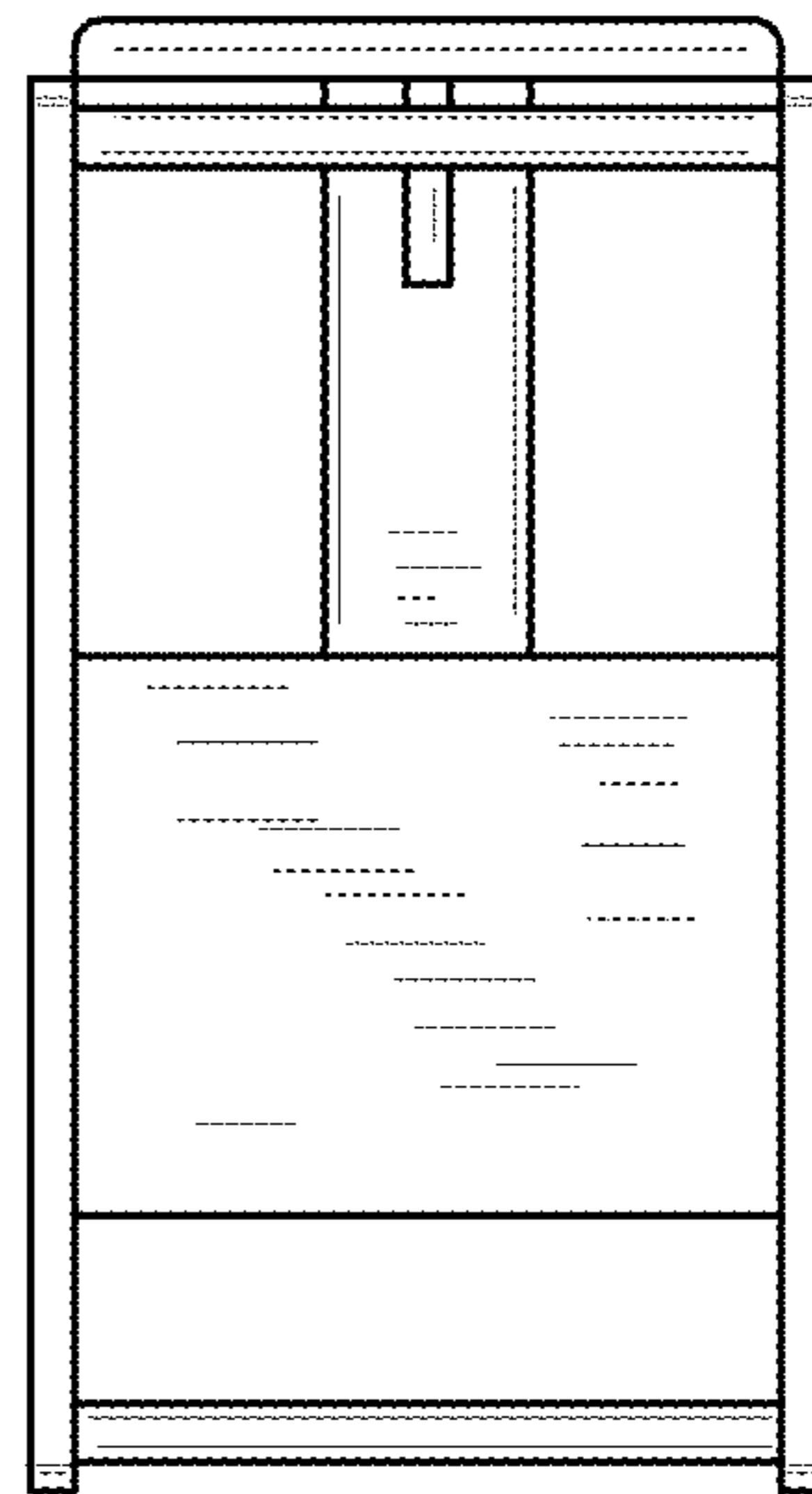
*FIG. 2*



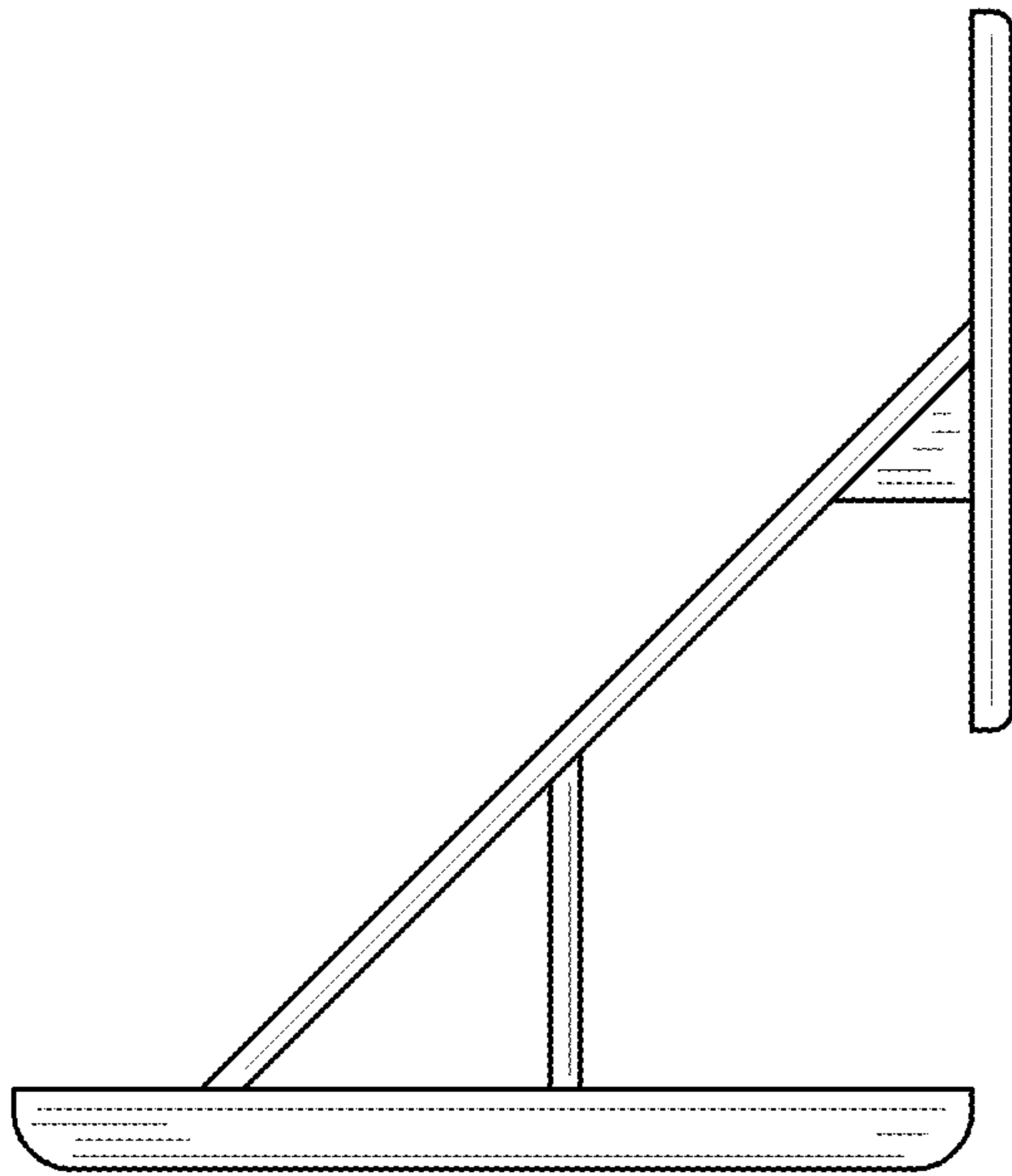
*FIG. 3*



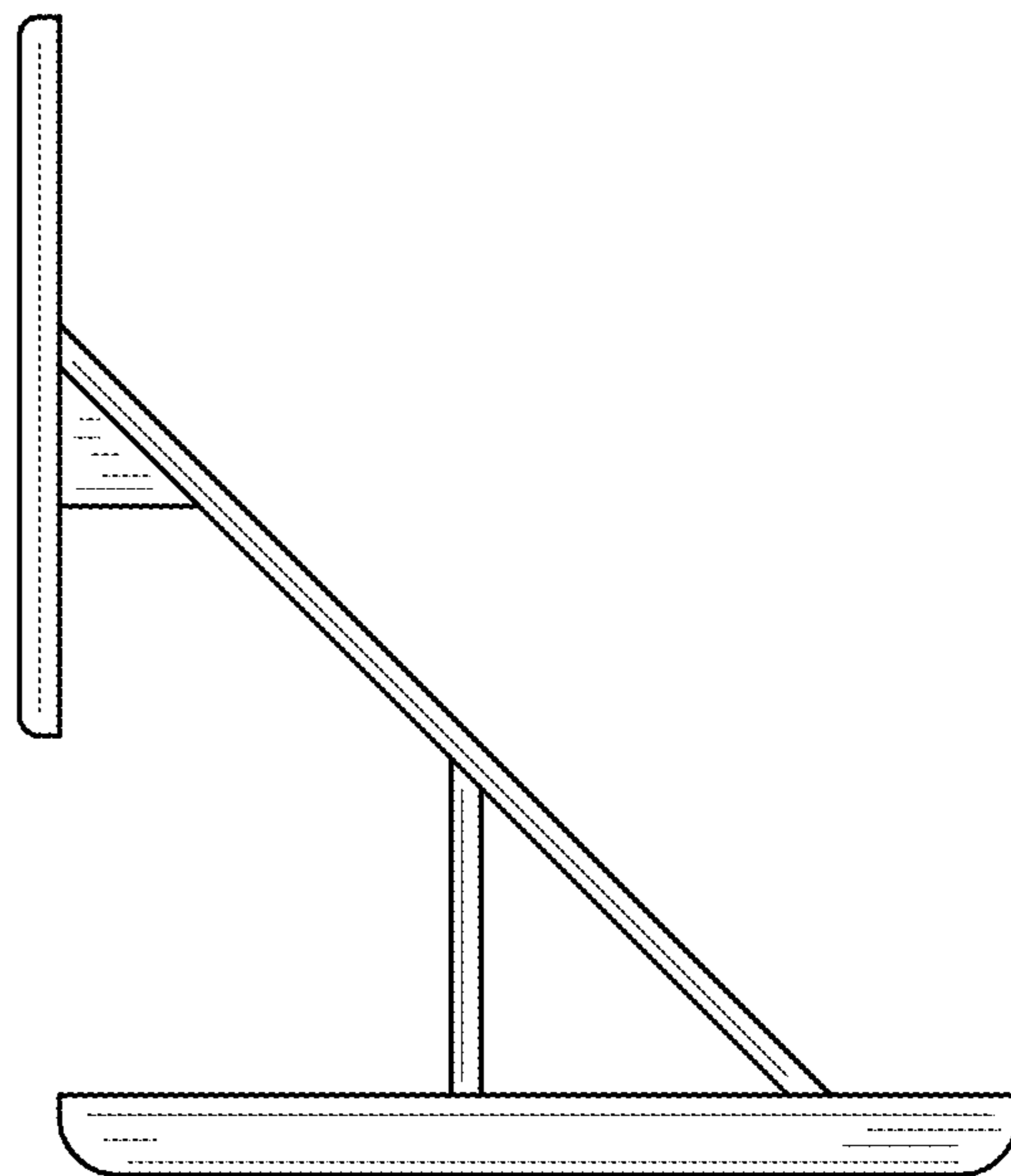
*FIG. 4*



*FIG. 5*



*FIG. 6*



*FIG. 7*