



US00D684639S

(12) **United States Design Patent**
Shelley et al.

(10) **Patent No.:** **US D684,639 S**
(45) **Date of Patent:** **** Jun. 18, 2013**

(54) **GAMING MACHINE**

(75) Inventors: **Scott Paul Shelley**, Heathcote (AU);
Vince Carmelo Bruzzese, Oatlands
(AU); **Peter Scott Clarebrough**,
Newington (AU)

(73) Assignee: **Ainsworth Game Technology Limited**,
Newington, New South Wales (AU)

(**) Term: **14 Years**

(21) Appl. No.: **29/408,967**

(22) Filed: **Dec. 19, 2011**

(30) **Foreign Application Priority Data**

Jun. 29, 2011 (AU) 12903/2011

(51) **LOC (9) Cl.** **21-03**

(52) **U.S. Cl.**
USPC **D21/370**

(58) **Field of Classification Search**
USPC D21/324-329, 369-370, 385; 463/16-17,
463/20, 31, 46-47
See application file for complete search history.

(56) **References Cited**

U.S. PATENT DOCUMENTS

D459,402 S *	6/2002	Wurz et al.	D21/369
D495,755 S *	9/2004	Wurz et al.	D21/370
D613,802 S *	4/2010	Meyers et al.	D21/370
D626,603 S *	11/2010	Bruzzese et al.	D21/370

OTHER PUBLICATIONS

The 50 Greatest Arcade Cabinets in Video Game History, retrieved from Internet on Sep. 27, 2011: URL: <http://web.archive.org/web/20100726142930/http://www.i-mockerky.com/minimocks/50arcadecabinets/default.php>, published on Jul. 26, 2010 as per Wayback engine.

Amatic Industries-GmbH-Slant Top, retrieved from Internet on Oct. 4, 2011, URL: <http://web.archive.org/web/20091124055314/http://www.amatic.com/430.html>, published on Nov. 24, 2009 as per Wayback engine.

* cited by examiner

Primary Examiner — Sandra Morris

(74) *Attorney, Agent, or Firm* — Gottlieb, Rackman & Reisman, P.C.

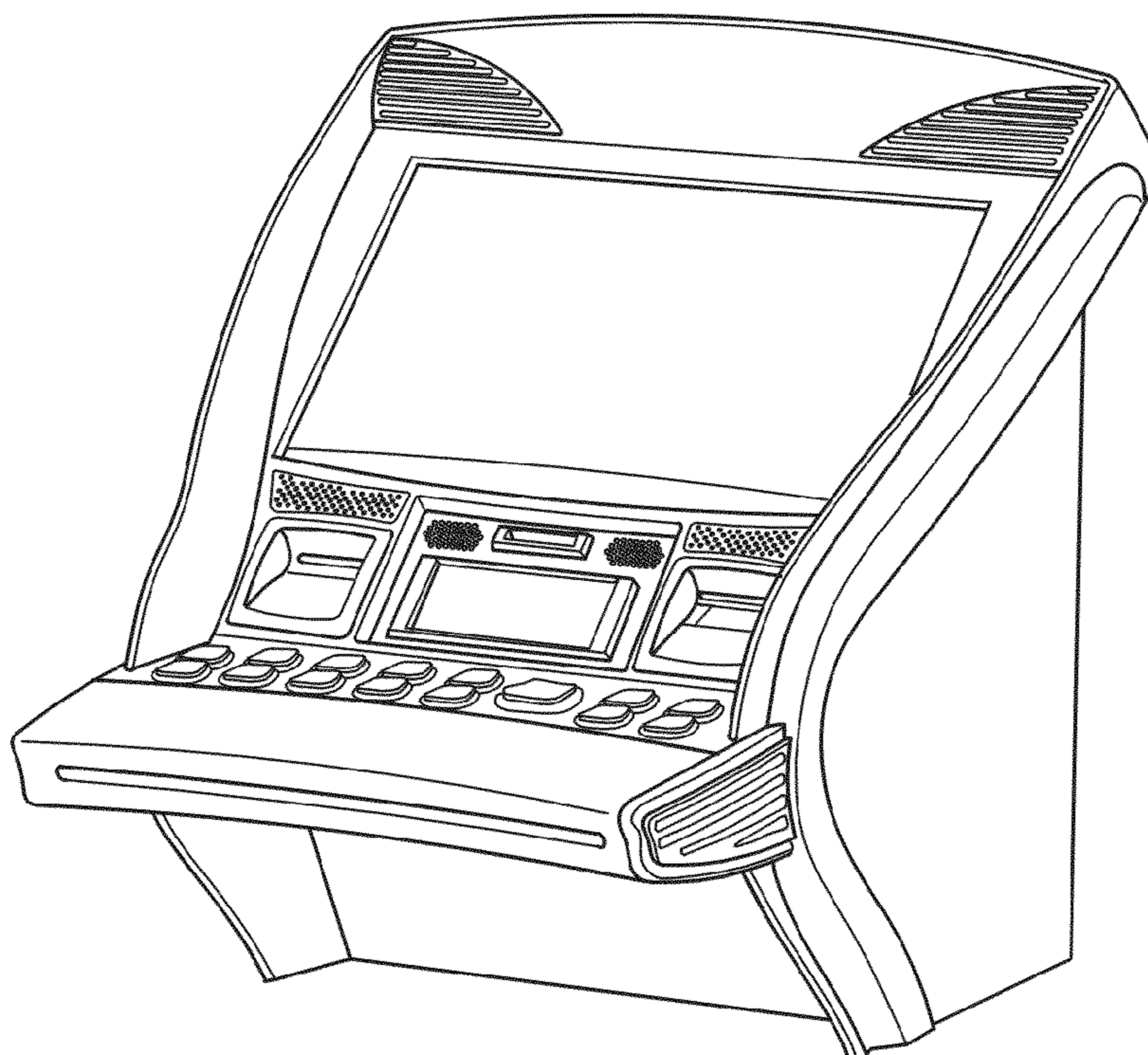
(57) **CLAIM**

The ornamental design for a gaming machine, as shown and described.

DESCRIPTION

FIG. 1 is a front, top, left side perspective view of a gaming machine showing my new design;
FIG. 2 is a front view thereof;
FIG. 3 is a rear view thereof;
FIG. 4 is a right side view thereof;
FIG. 5 is a left side view thereof;
FIG. 6 is a top plan view thereof; and,
FIG. 7 is a bottom plan view thereof.

1 Claim, 7 Drawing Sheets



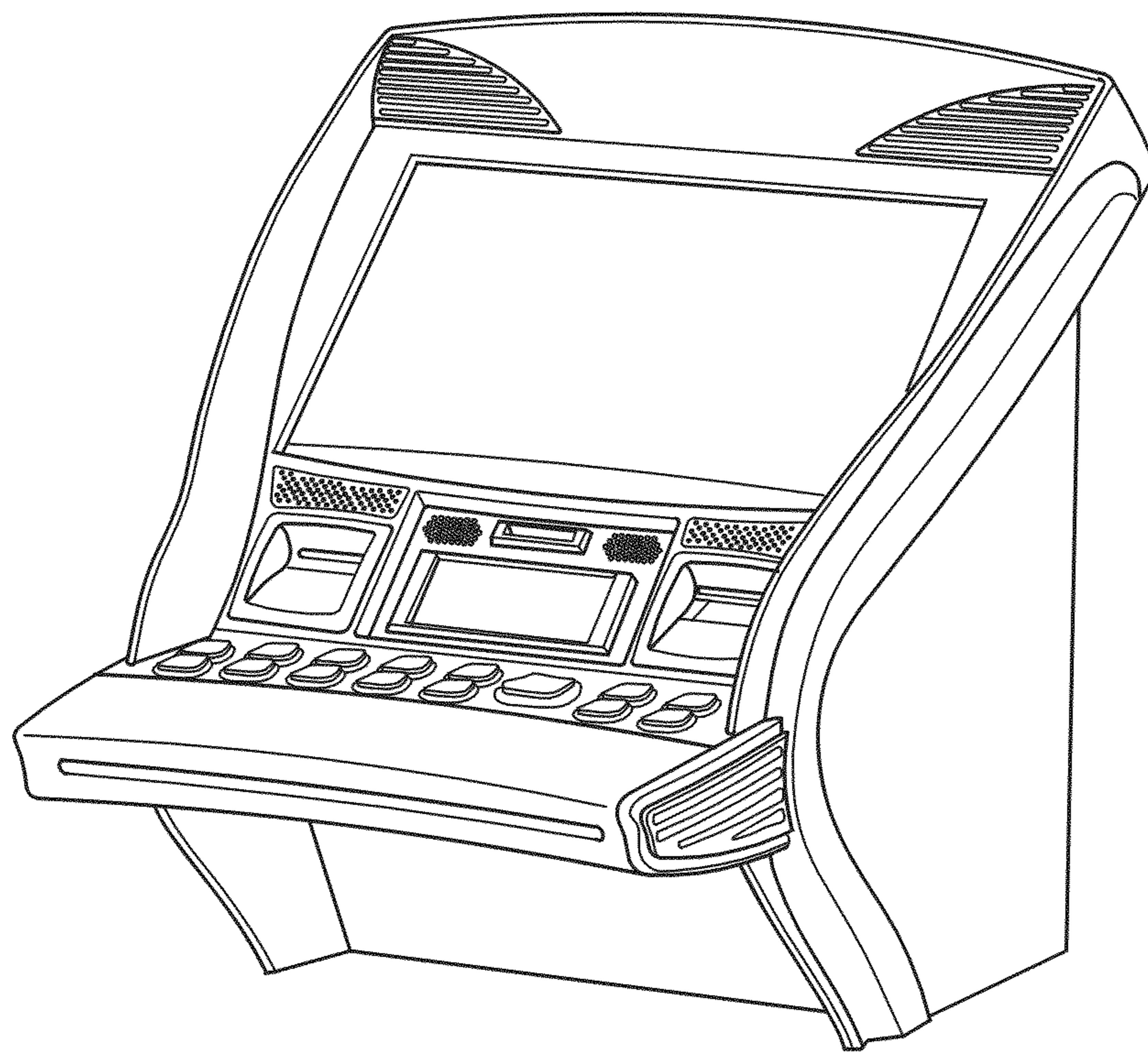


FIG. 1

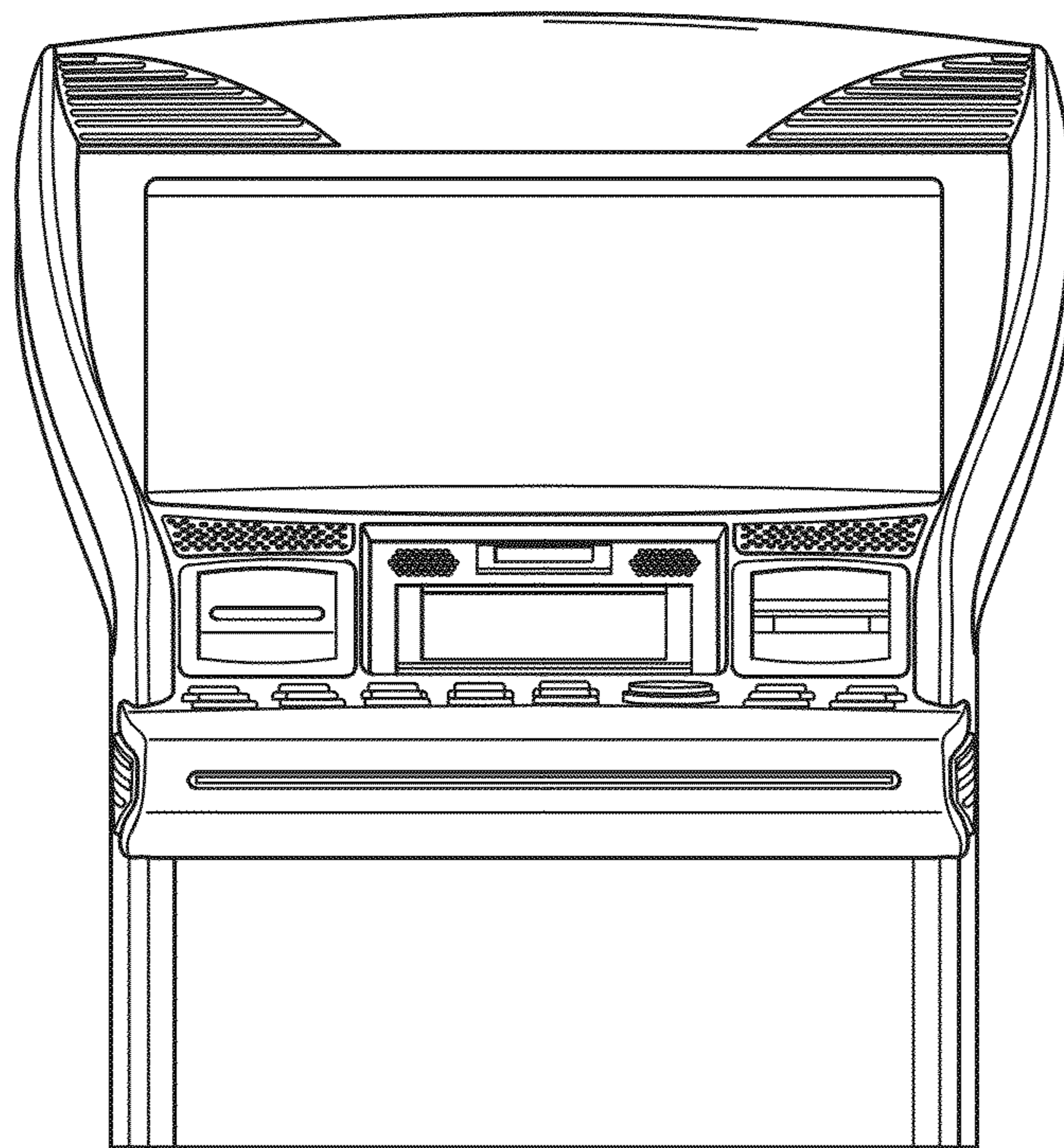


FIG. 2

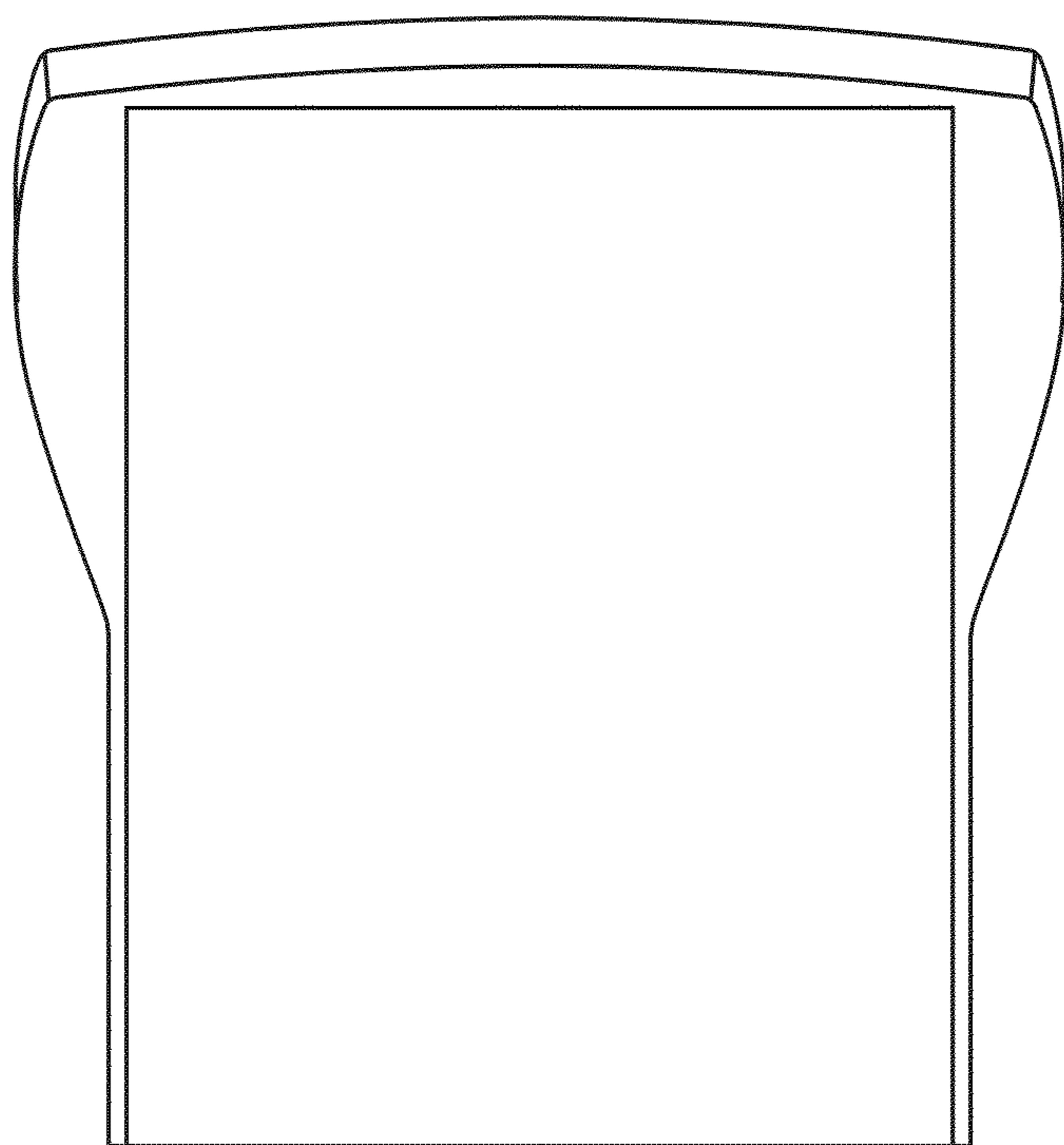


FIG. 3

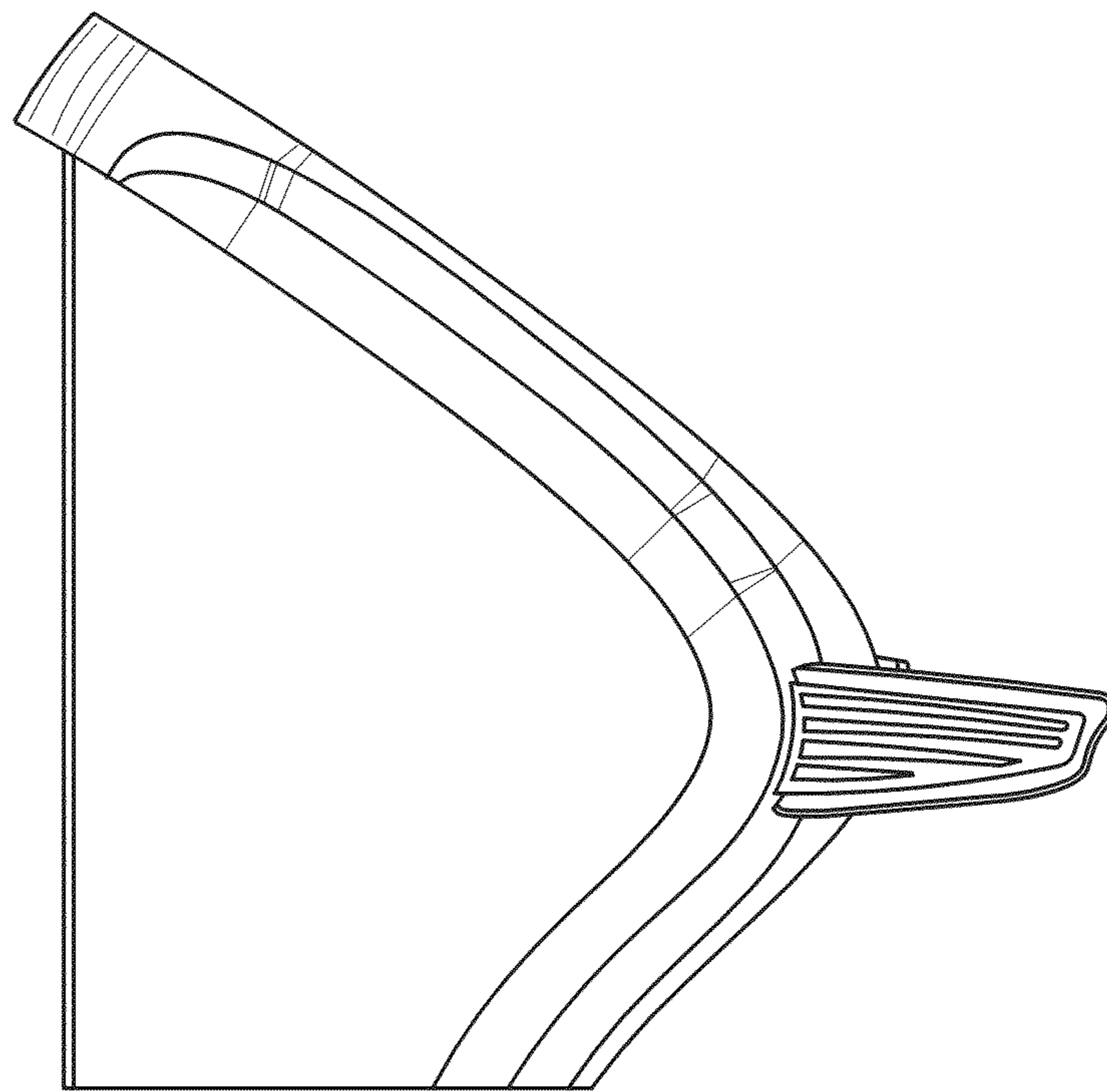


FIG. 4

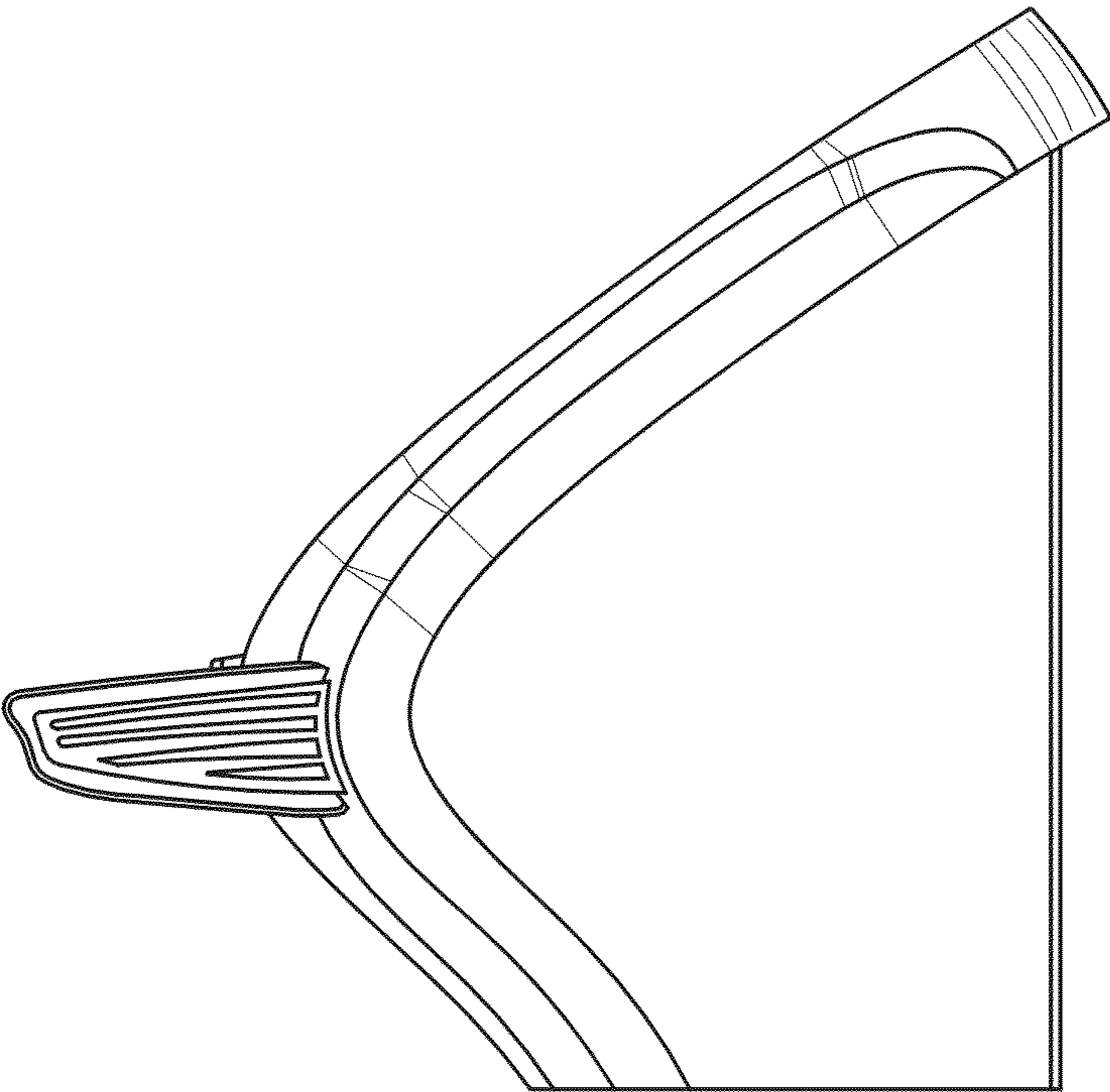


FIG. 5

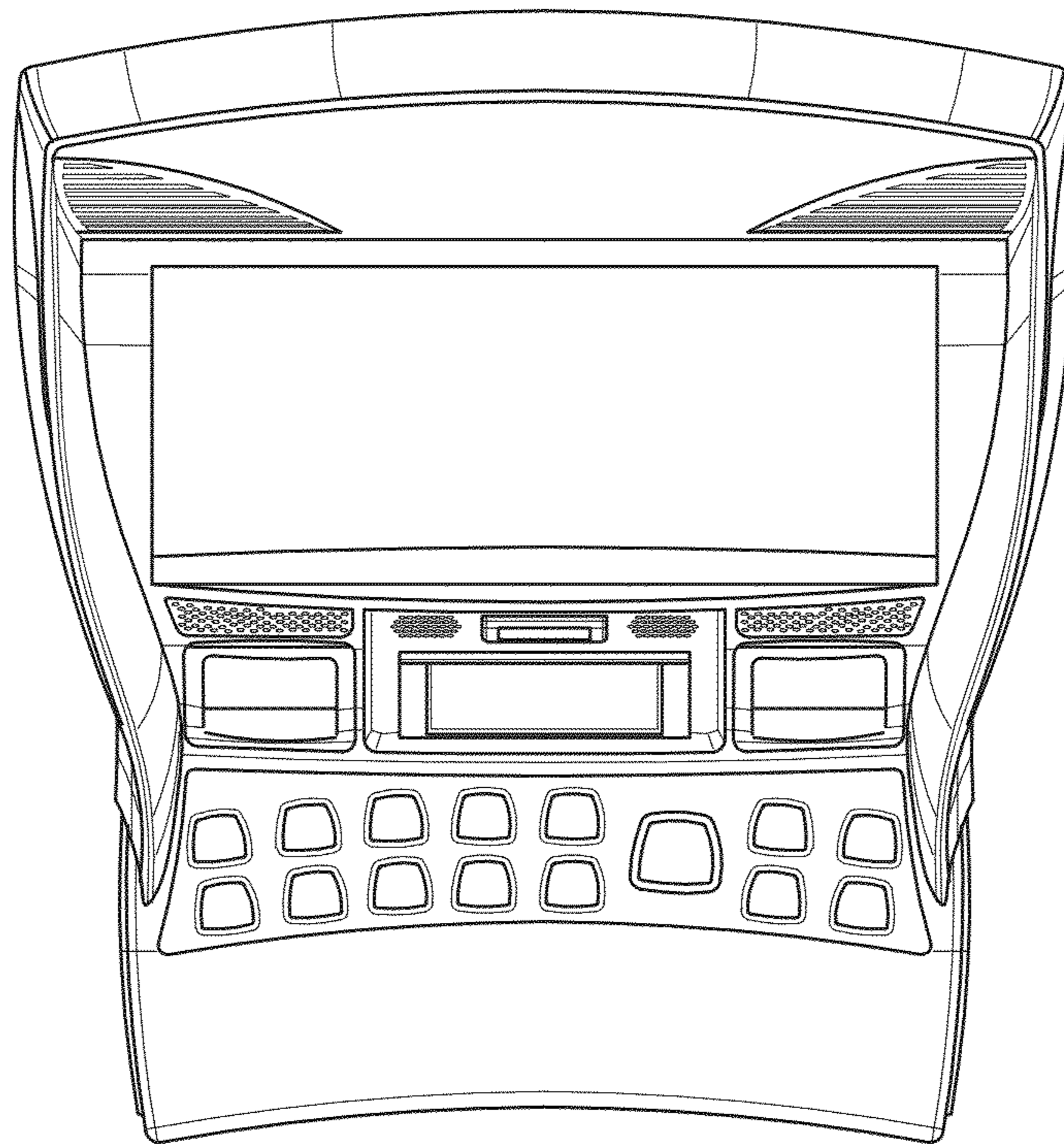


FIG. 6

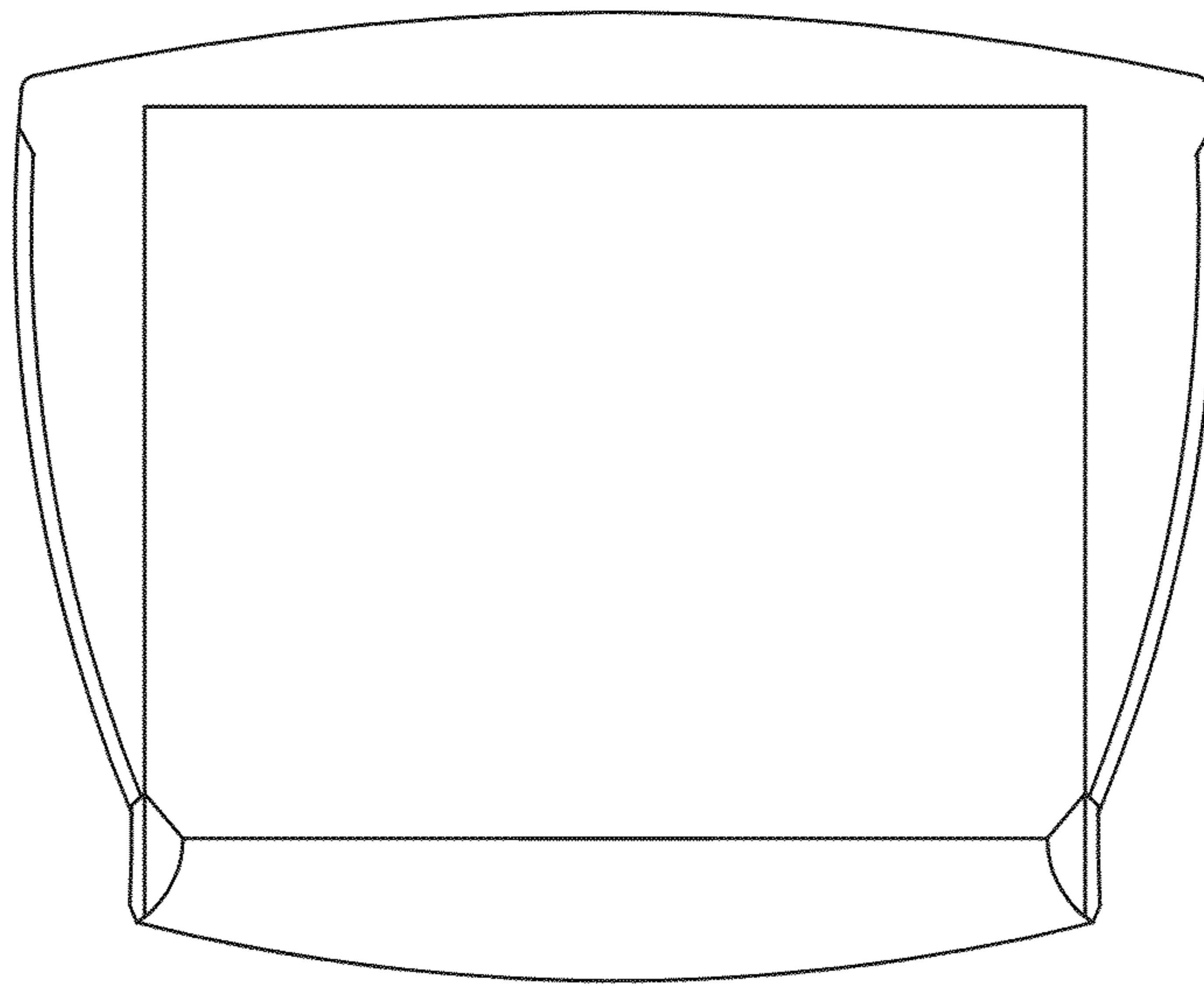


FIG. 7